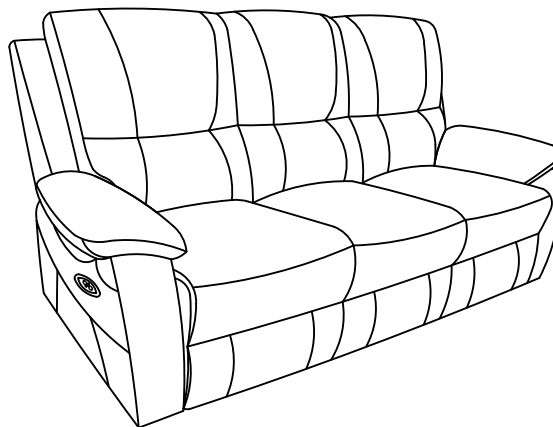


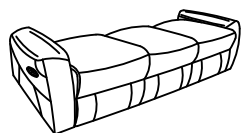


ASSEMBLY INSTRUCTION

ITEM NO.:F10096-3E/F10097-3E/F10098-3E



PARTS LIST



A

X1



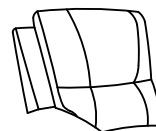
B

X1



C

X1



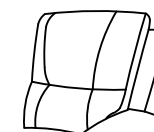
D

X1



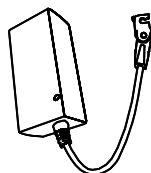
E

X1



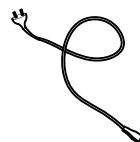
F

X1



1

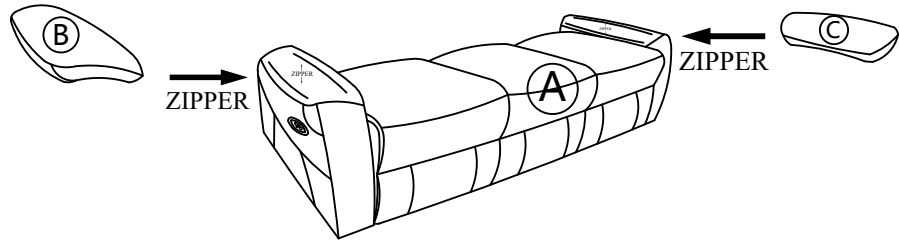
X1



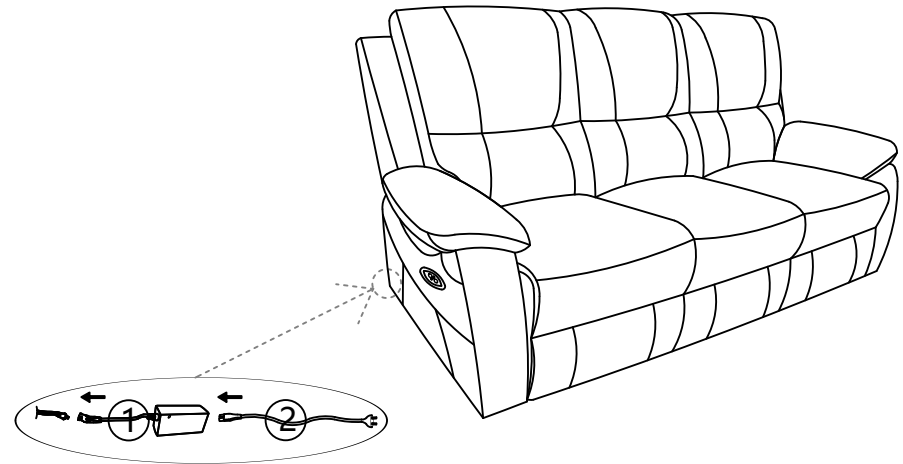
2

X1

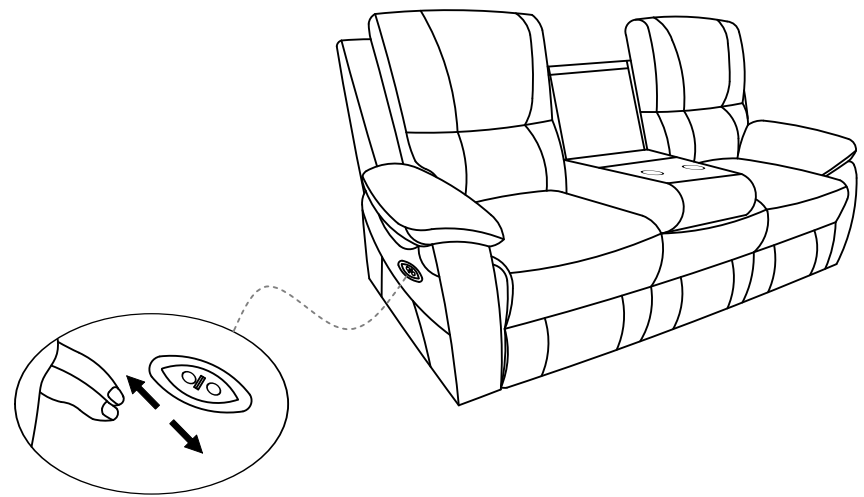
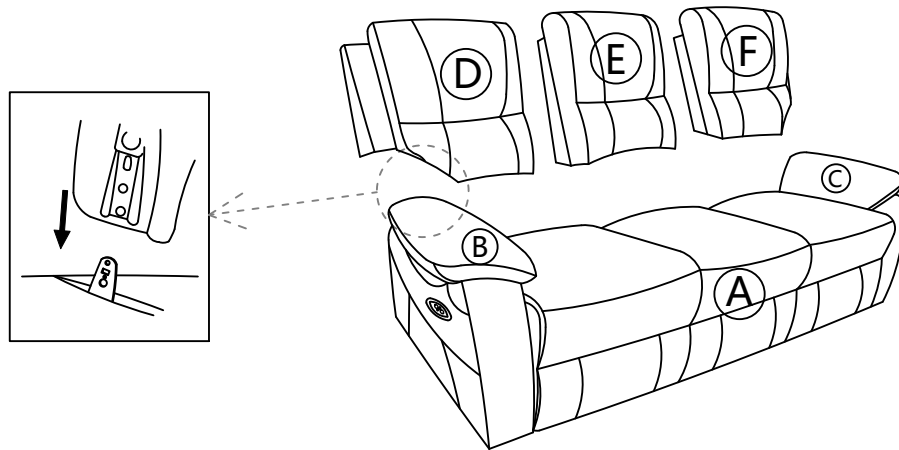
STEP 1



STEP 3



STEP 2



Toll-Free number: 1-833-273-2277