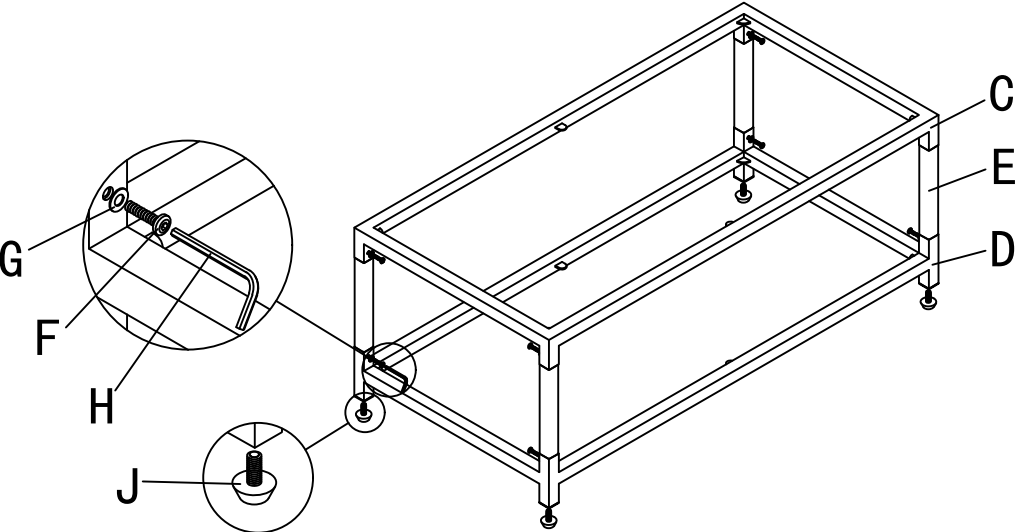
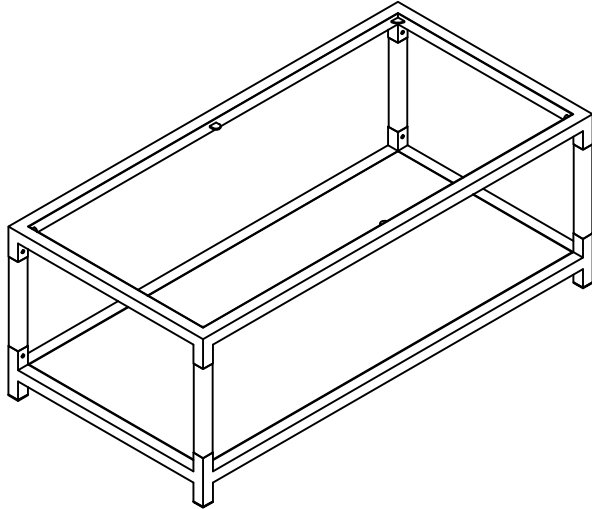


ASSEMBLY INSTRUCTION

STEP 1

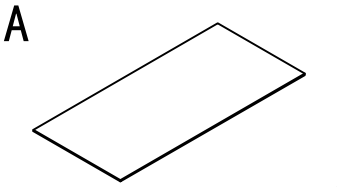
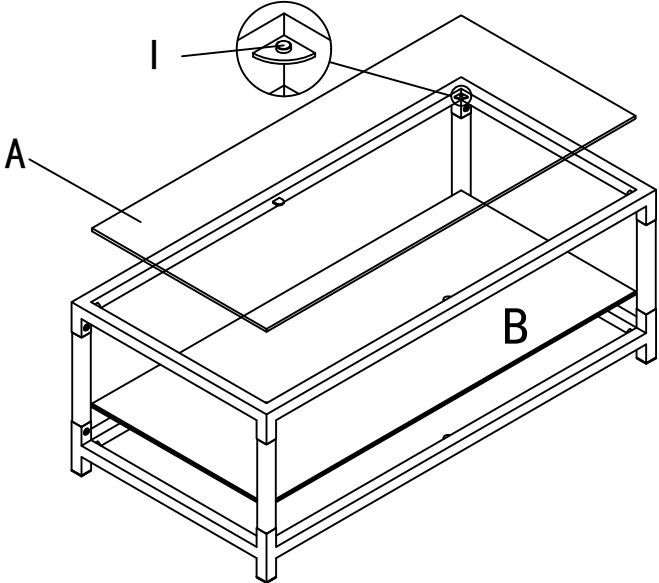


STEP 3

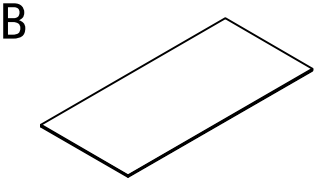


Important Note:
Please insert all screws during the assembly process, but do not fully tighten them until all parts are in place. Once the entire table has been assembled and properly aligned, you can then tighten all screws securely.

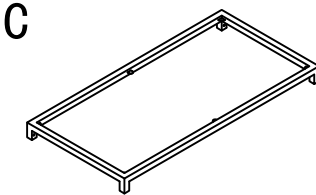
STEP 2



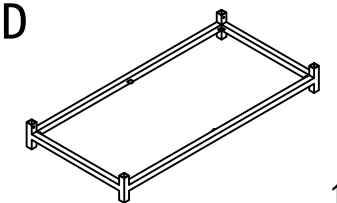
1



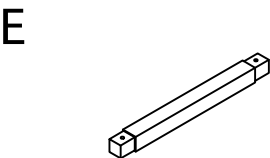
1



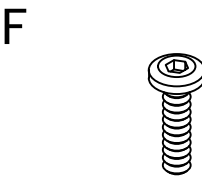
1



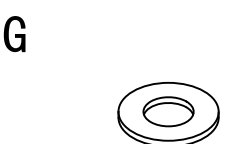
1



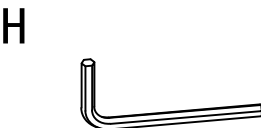
4



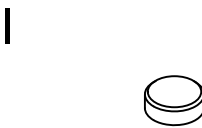
8



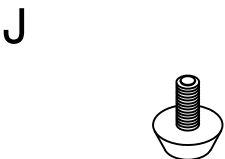
8



1



12



4