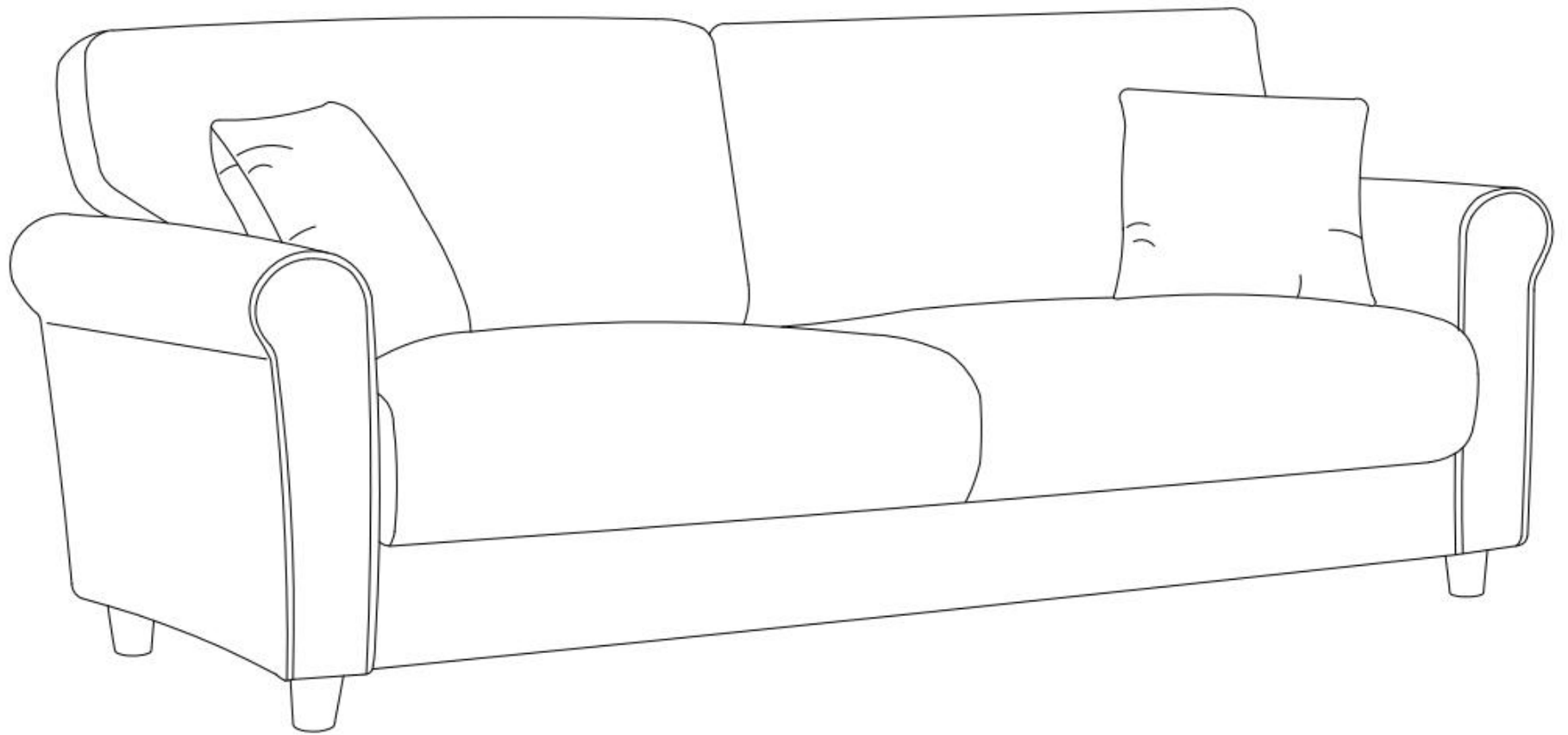
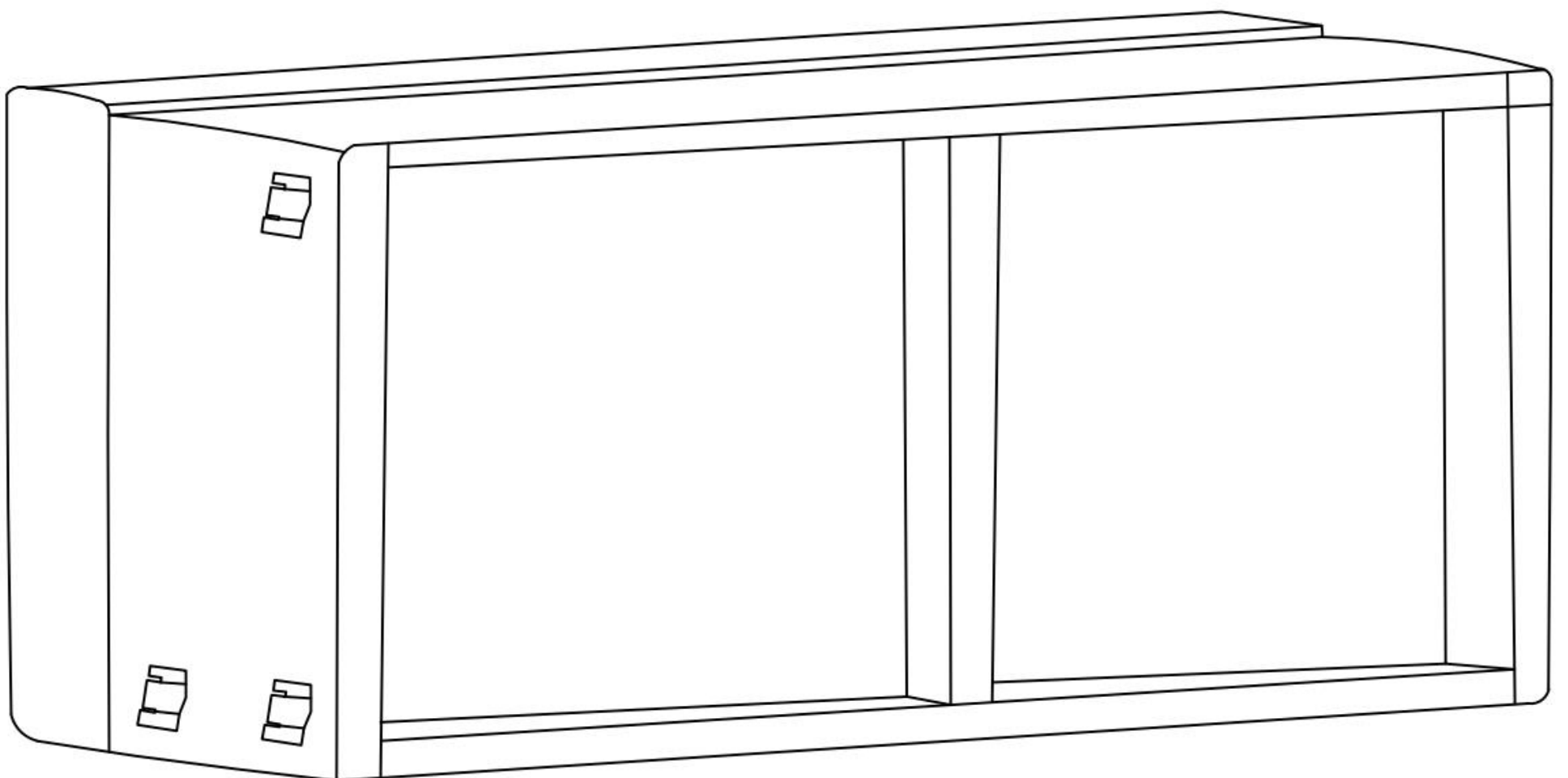


INSTRUCTIONS



Notes: Sofa might be a little hard due to being compressed in package and long-time transport, but it will soften over time in use.

All the parts inside

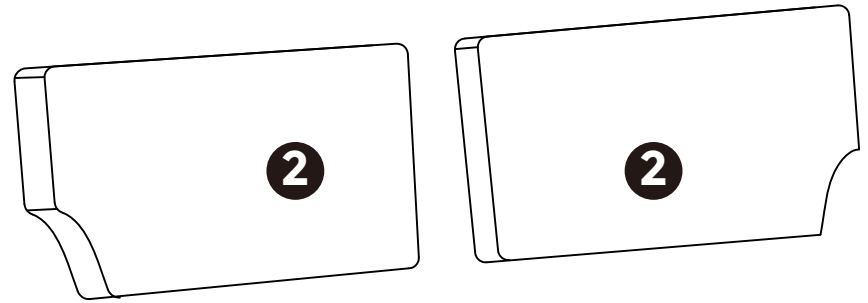


Notes: Back cushions and toss pillows are compressed-packed and placed under seat. Cushions will need some patting to fully rebound. Crease and wrinkles are normal, they will disappear soon over time.

Part List



Leg *4



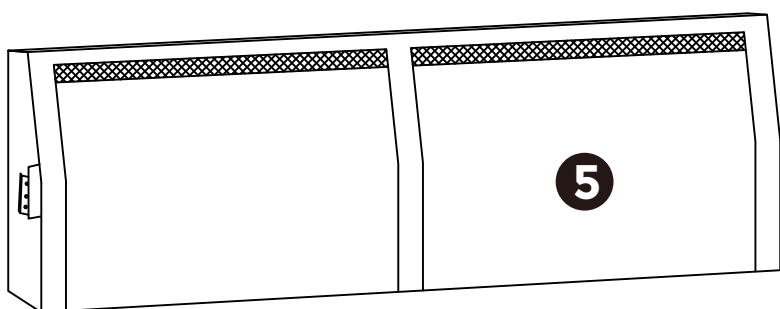
Back Cushion*2



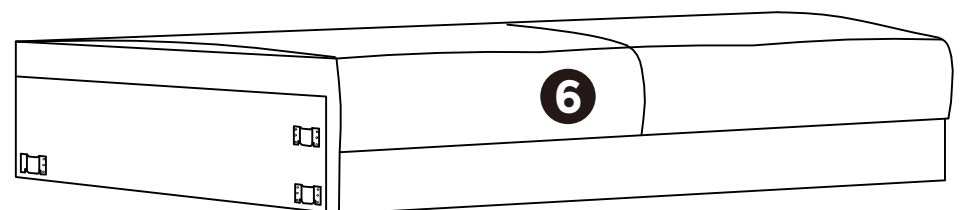
Left Arm*1



Right Arm*1



Backrest*1



Sofa Body*1

We genuinely appreciate your purchase of our product.

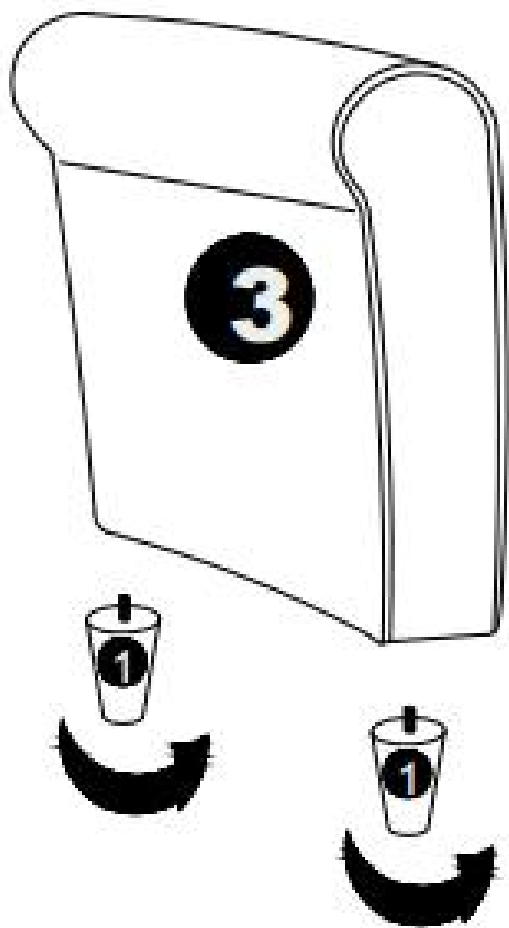
Here is the installation instructions. Installation requires some patience.

If you've got any question or met any problem, feel free to contact us.

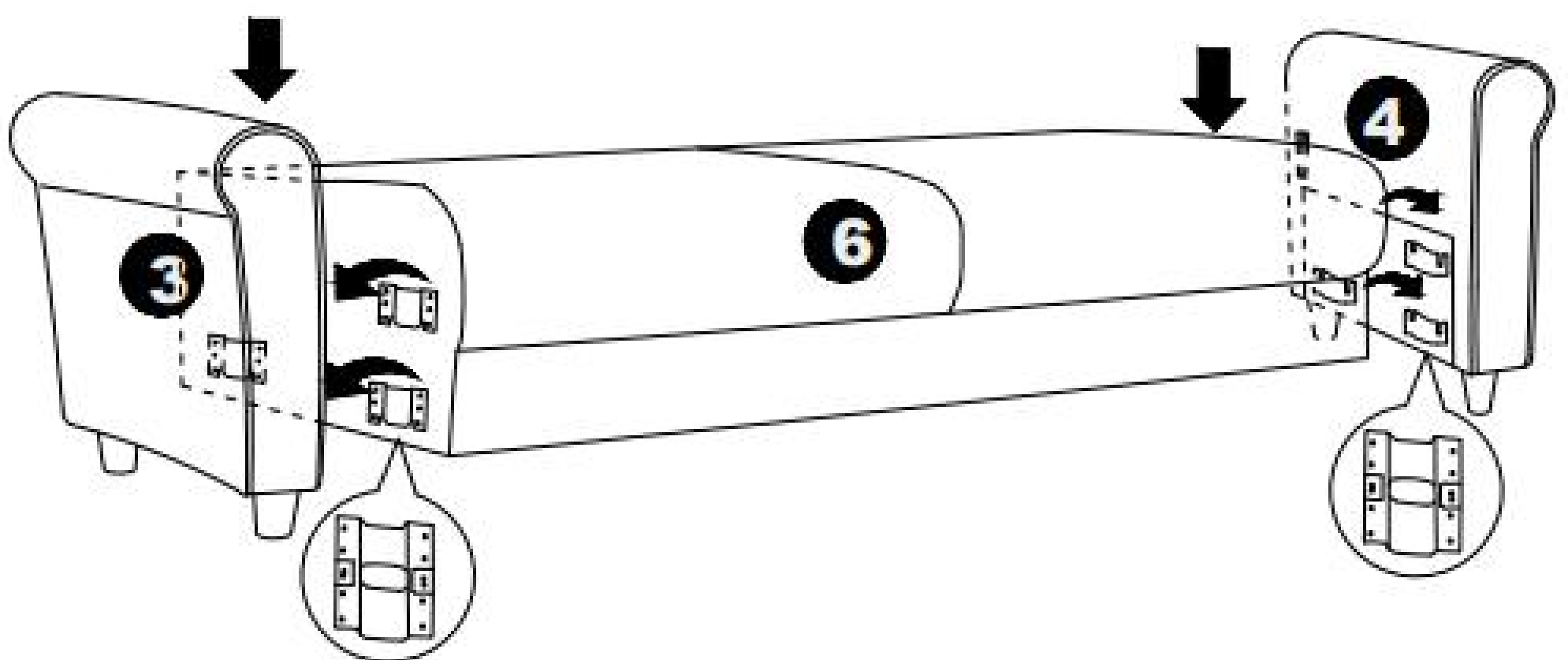
Hope our product will bring you lots of pleasure while in use!

(We suggest 2 person's cooperation to make installation a breeze.)

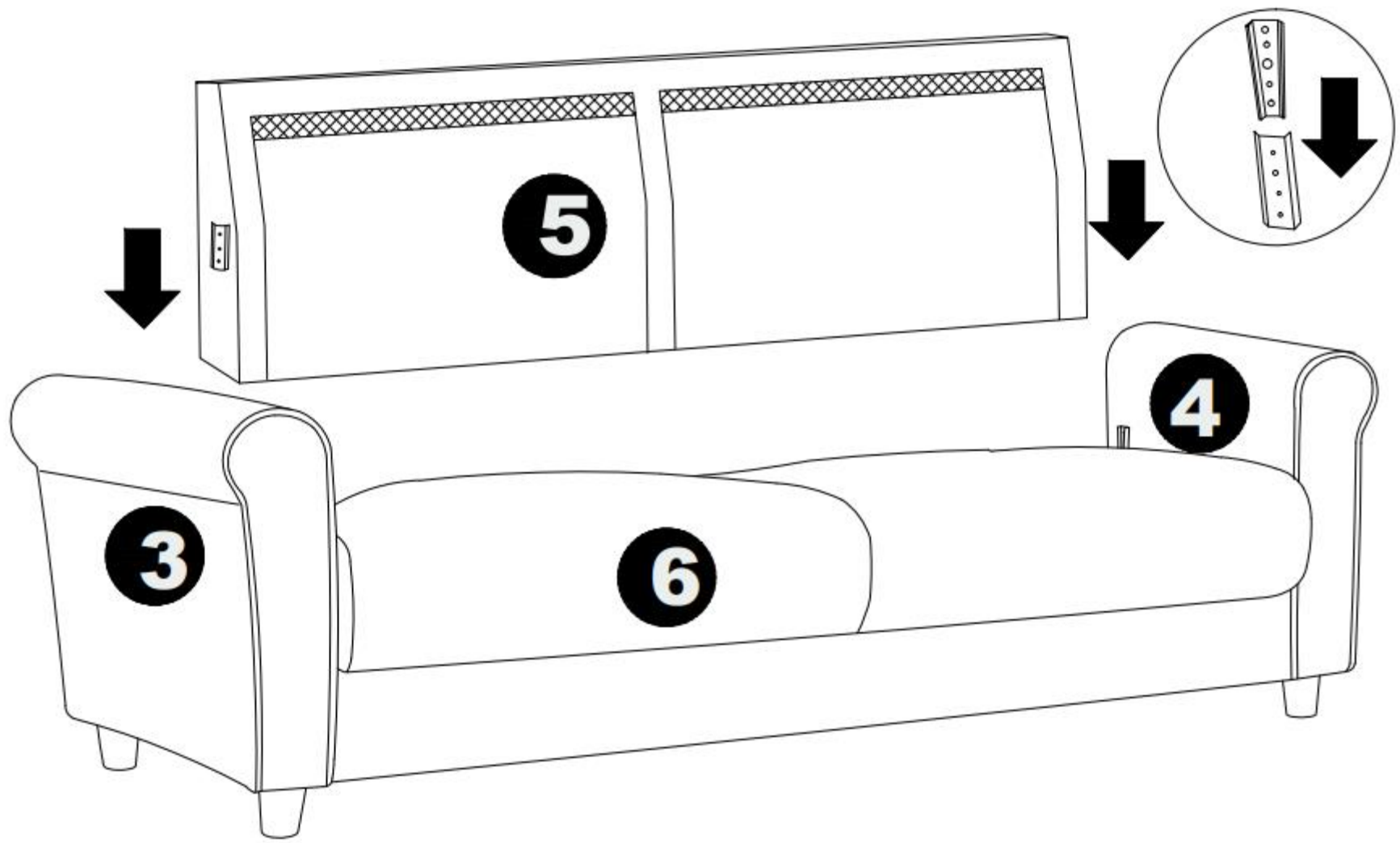
Step 1



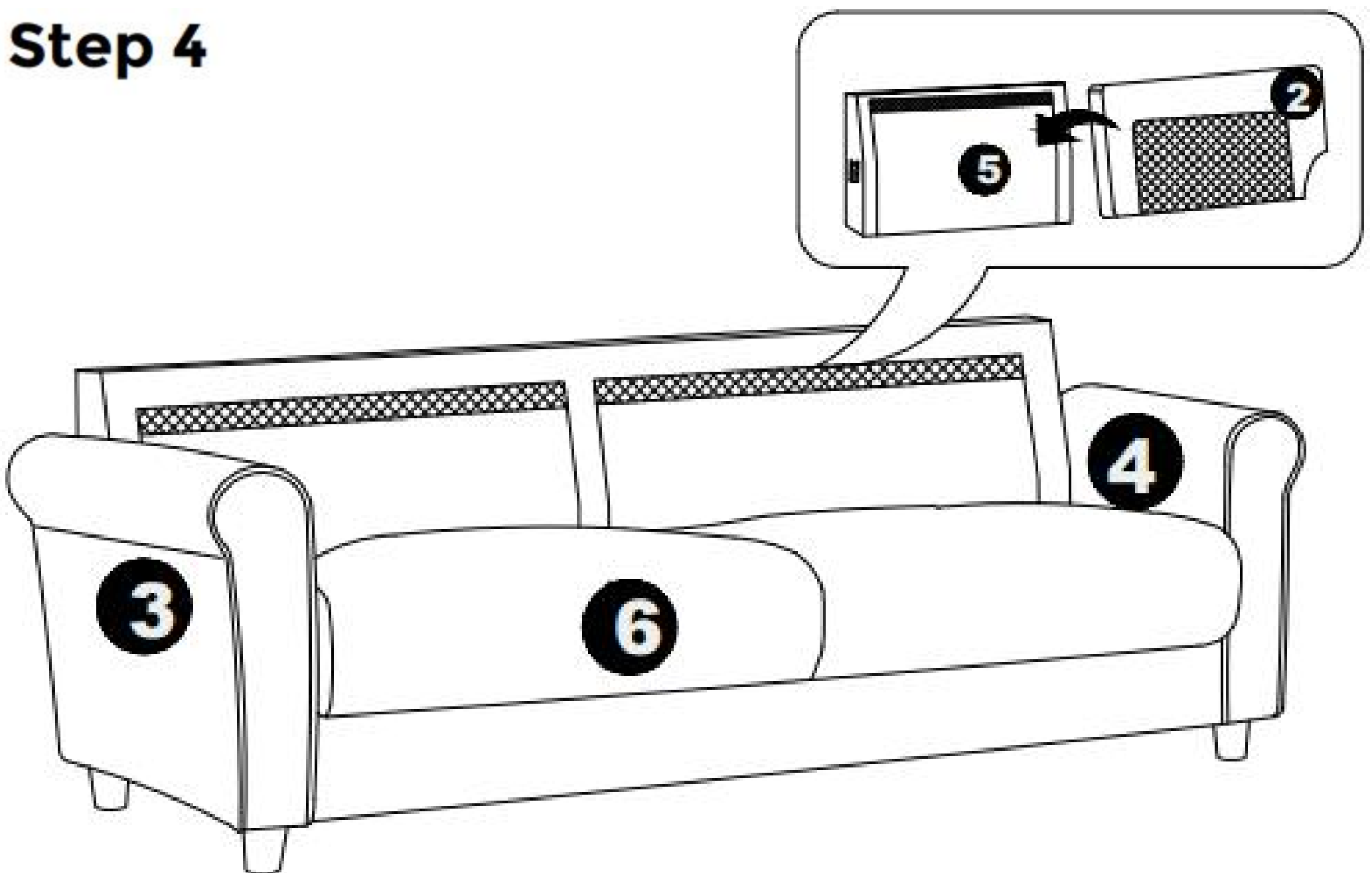
Step 2

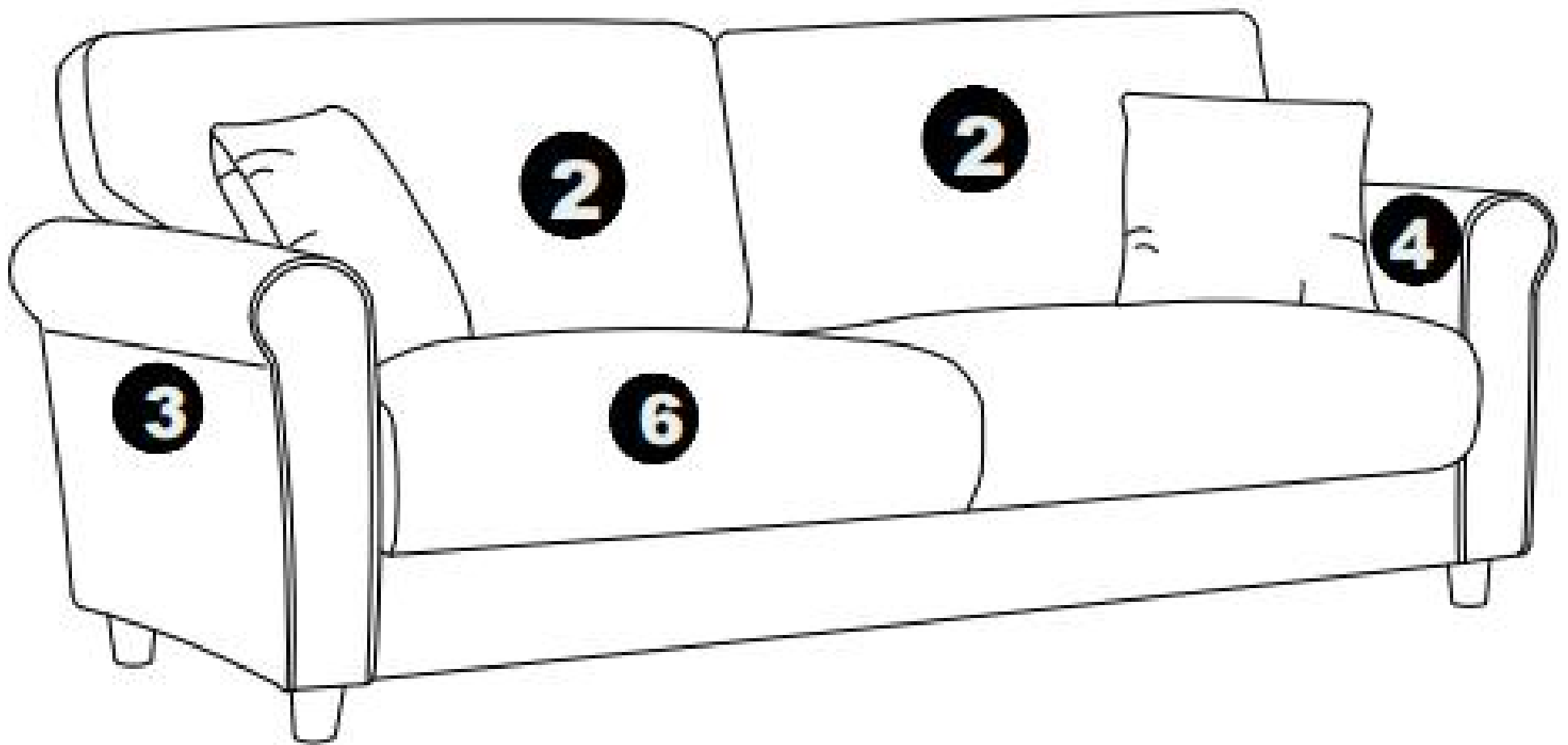


Step 3



Step 4





completed

CARE & MAINTENANCE



Do not put hot items directly on furniture surface.



Do not clean furniture with harsh cleansers or polish.



Dust and pick up spills using a clean, non-colored, lint-free cloth.



Stains may be removed with mild soap solution and a damp cloth.



Do not place furniture under direct sunlight.



Do not place furniture near heating or cooling vents.



Do not write on furniture without a passed barrier to protect the surface.



Do not place furniture outside, for indoor use only.



PROHIBIT jumping on it.