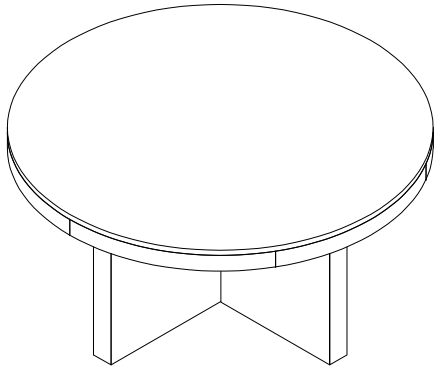
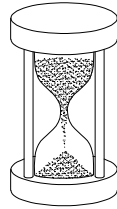


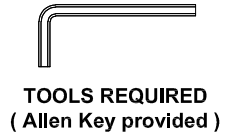
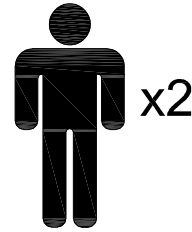
6798NAT-65 / 6798OAK-65 DONTE ROUND COFFEE TABLE ASSEMBLY INSTRUCTIONS

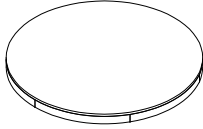




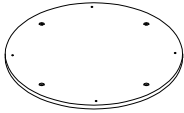
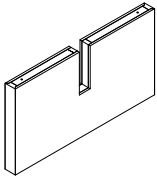
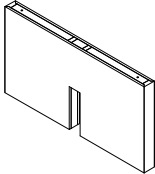


ASSEMBLY INSTRUCTIONS



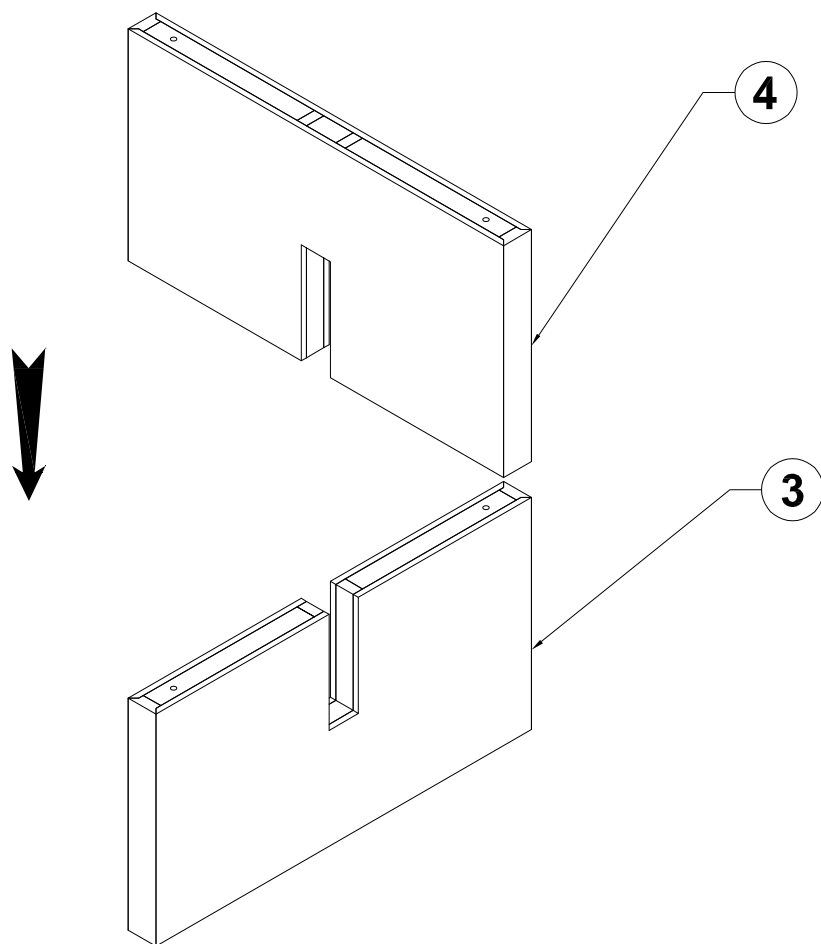
15 MIN



CARTON	ITEM	PART	HARDWARE
1	6798NAT-65/ 6798OAK-65	① TOP PANEL x 1 PC 	(A) M6 x 35 mm: 8 pcs  (B) Ø6 x Ø10 x 1.2: 8 pcs  (C) Ø6 x Ø19 x 2: 8 pcs  (D) 4mm x 60: 1 pc 
		② MOUNTING PLATES x 1PC 	
		③ BOTTOM LEG x 1PC 	
		④ TOP LEG x 1PC 	

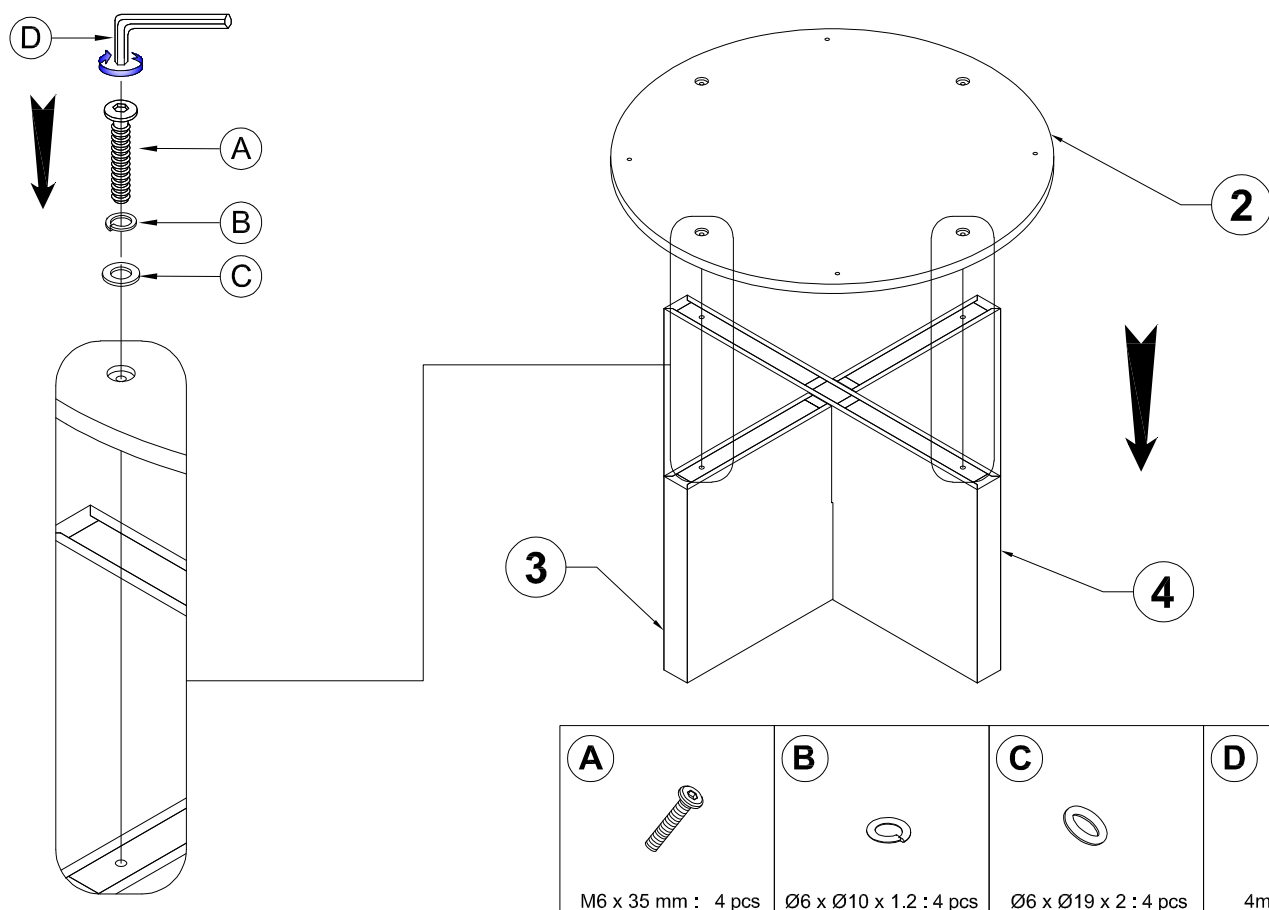
STEP 1

Connect Top and Bottom Legs as show in the image below



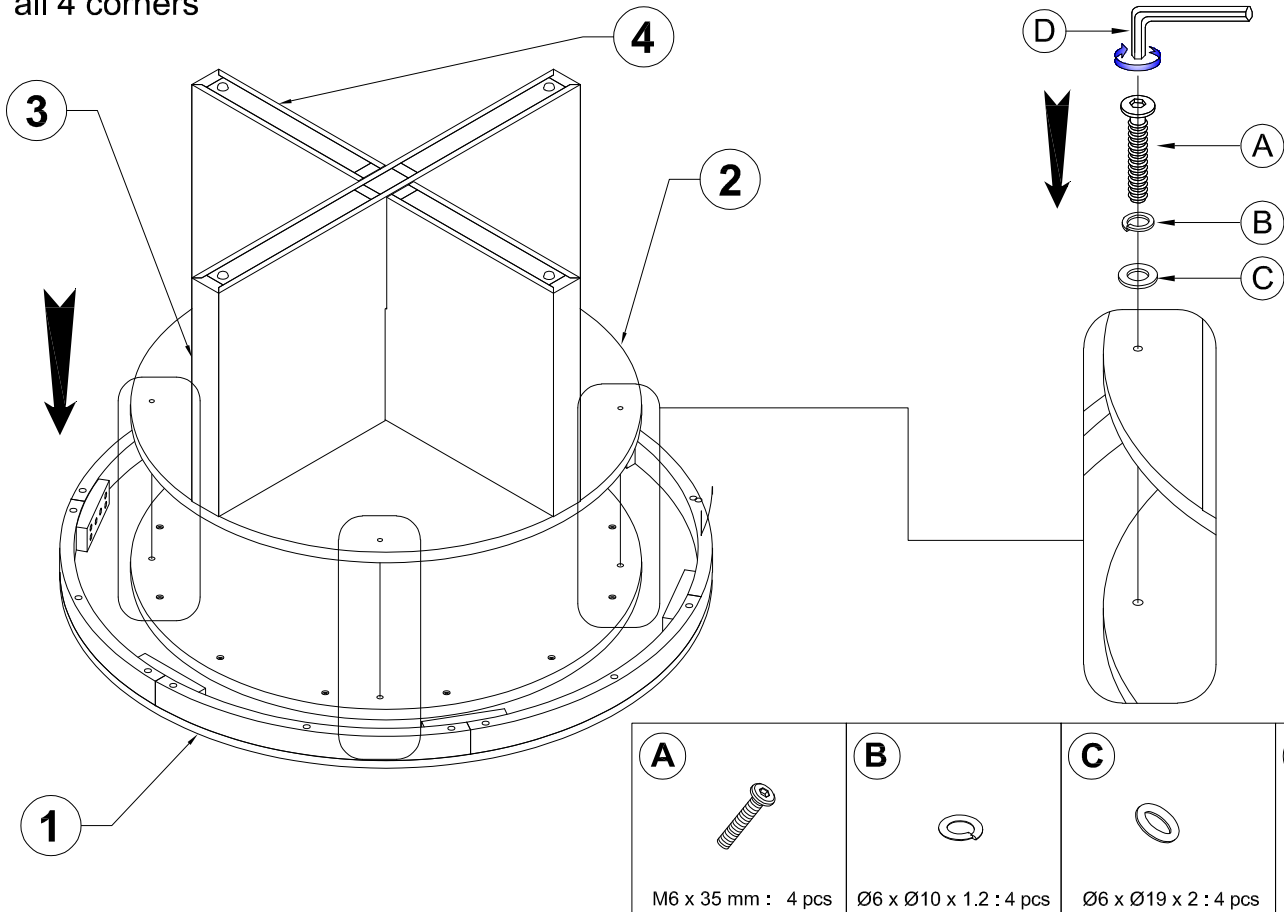
STEP 2

Position the mounting plate on top of the new legs set. Assemble the plate and secure it with corresponding hardware set. Repeat this step in all 4 corners

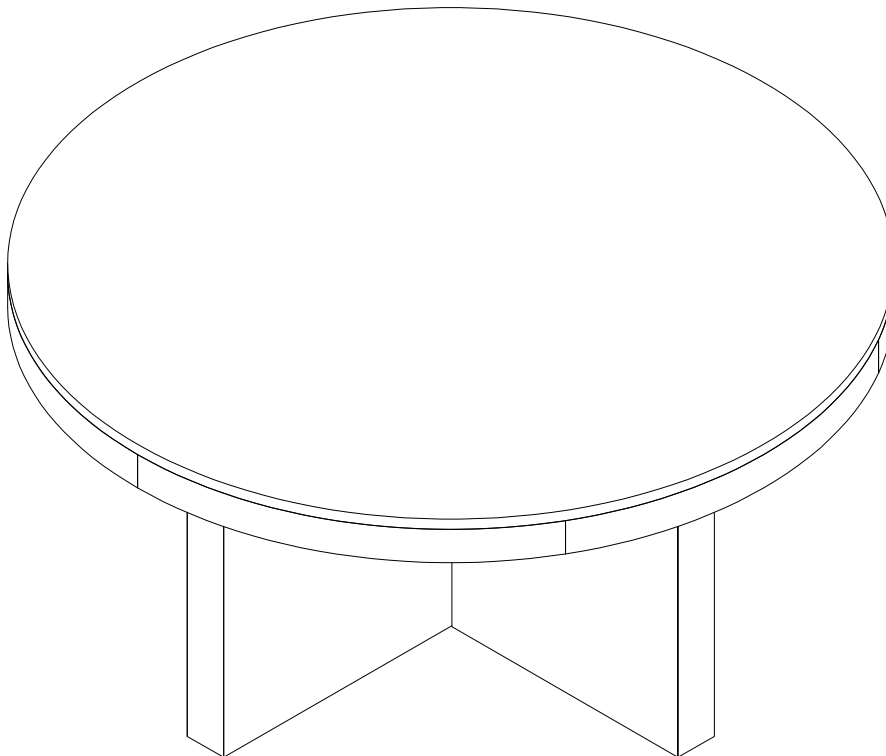


STEP 3

Prepare the Top Panel to connect it with the previously assembled set of legs. Turn the legs upside down to assembly and secure it to the Table top. Use corresponding hardware to connect all 4 corners



ASSEMBLY COMPLETED



CAUTION ! : REQUIRES TWO ADULTS TO FLIP AND TURN TABLE UPRIGHT AFTER ASSEMBLY IS FINISHED.