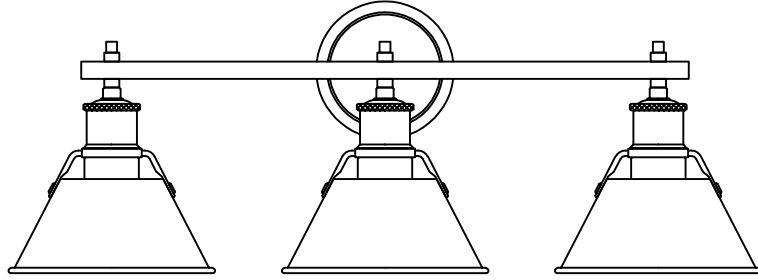


INSTALLATION INSTRUCTIONS



Dear customer, thanks for choosing our product.

For your better use of our products, please follow the steps below and pay attention to relevant matters:

Please read and understand this entire manual before attempting to assemble, operate or install the product. Failure to do so could lead to electric shock, fire or other injuries that could be hazardous or even fatal.

IMPORTANT: NEVER attempt any work without shutting off the electricity.

Go to the main fuse box, or circuit breaker, in your home. Place the main power switch in the "OFF" position and unscrew the fuse(s), or switch "OFF" the circuit breaker switch(es), that control the power to the fixture or room that you are working on.

Place the wall switch in the "OFF" position. If the fixture to be replaced has a switch or pull chain, place it in the "OFF" position.

CAUTION

- Read and understand all instructions and illustrations completely before proceeding with assembly and installation of this fixture.
- If you have any doubts about how to install this lighting fixture, or if the fixture fails to operate completely, please contact a qualified licensed electrical contractor.
- All parts must be used as indicated in these instructions. Do not substitute any parts, leave parts out, or use any parts that are worn out or broken. Failure to obey this instruction could invalidate the UL listing, C.S.A. certification, and/or ETL listing of this fixture.
- This fixture is intended for installation in accordance with the National Electric Code (NEC) and all local code specifications.
- This fixture is for indoor use only, and is suitable for dry locations.

Note: The scope of this product does not include damage caused by natural disasters, damage suffered in the process of transportation, damage caused by improper operation, damage caused by using other parts other than the factory, man-made damage, etc.

NOTE: Keep your receipt and these instructions for proof of purchase.

INSTALLATION METHOD

1. Shut off the power at the circuit breaker and remove existing fixture, including the mounting hardware.
2. Carefully unpack your new fixture and lay out all the parts on a clear area. Be careful not to lose any small parts necessary for installation.
3. Install the mounting plate onto the outlet box by strap mounting screw.
4. Now connect the electrical wires as follows:
Connect the black wire from the fixture to the black house (hot) wire. Connect the white wire from the fixture to the white (neutral) house wire. Make sure all wire nuts are secured. You may wrap the connections with electrical tape. If your outlet has a ground wire (green or bare copper), connect fixture ground wire to it. Otherwise, connect fixture ground wire directly to the mounting plate using the green screw provided. Tuck the wire connections neatly into the outlet box.
5. Fasten the fixture through the mounting screw on the mounting plate with the knob.
6. Tighten the metal cover through socket with the socket ring.
7. Install the bulb (not included). Please follow the wattage label located on the fixture body. Do not exceed the recommended wattage.

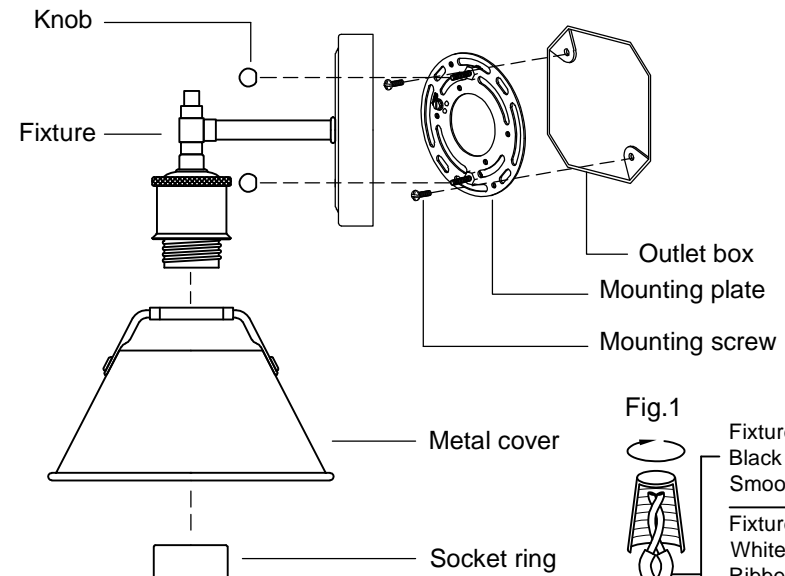


Fig.1

Fixture Wires	House Wires
Black or Smooth	Black or (Hot)
Fixture Wires	House Wires
White or Ribbed	White or (Neutral)
Fixture Wires	House Wires
Bare or (Ground)	Green or Bare Copper (Ground)