

Casmir - Single Handle Bathroom Faucet



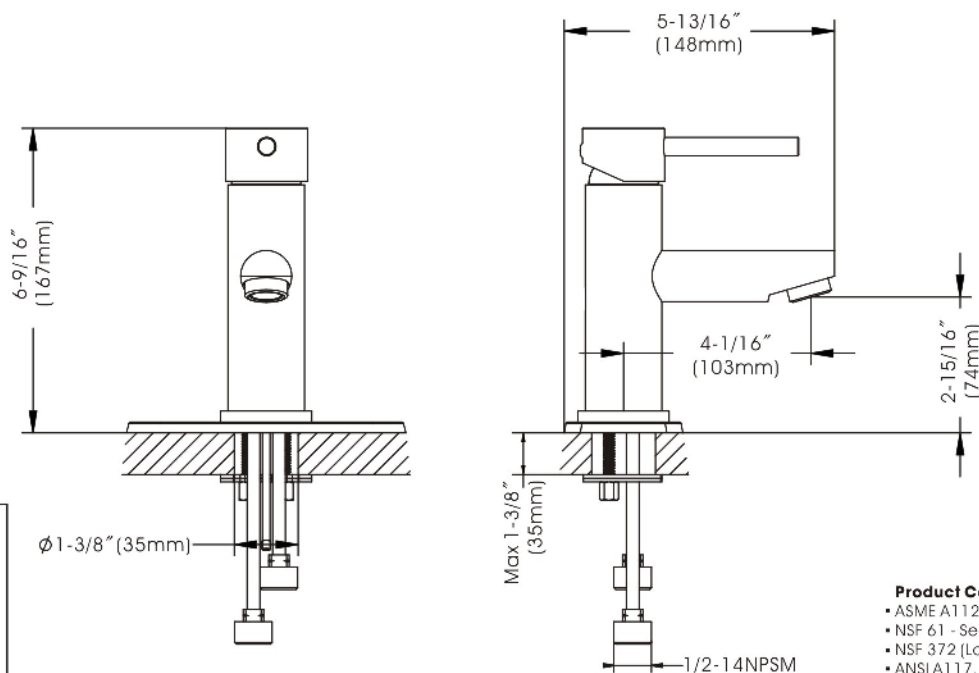
- * Includes Stainless Steel Deck Plate for 1 or 3 Hole Installation
- * Brass Pop-up Drain Assembly Included
- * 2-15/16" High and 4-1/16" Long Brass Spout, Zinc Handle
- * Copper Waterway Construction with 1/2" -14 NPSM Connection
- * Premium Grade Ceramic Cartridge (Type N)
- * Flow Rate: 1.2GPM @ 60PSI
- * 100% Pressure System Tested
- * Lifetime Limited Warranty; 5 year warranty from date of purchase for Commercial users.

Project / Job Name	
Architect / Engineer	
Contractor	
Model	
Quantity	

Model No. :

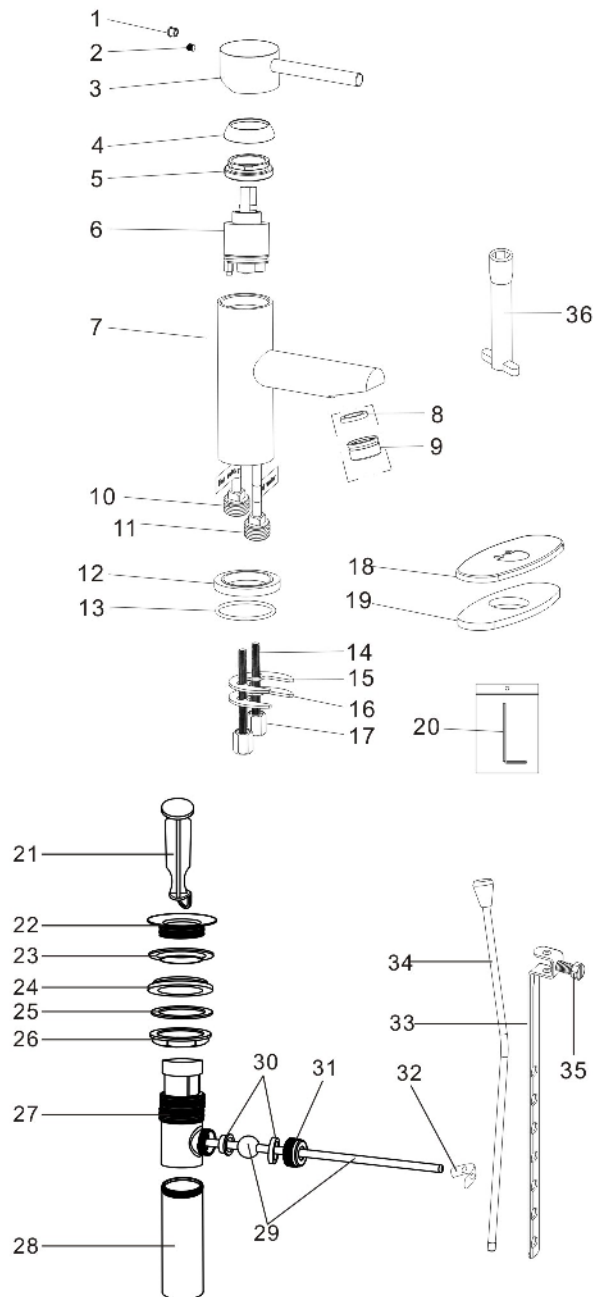
192-6477 (CH)
 (Shown Model)

192-6478 (BN *SpotlessPVD*)



- Product Compliance:**
- ASME A112.18.1 / CSA B125.1
 - NSF 61 - Section 9
 - NSF 372 (Low Lead Content)
 - ANSI A117.1 (ADA)
 - EPA - Water Sense

Casmir - Single Handle Bathroom Faucet



Model No. :

192-6477 (Polished Chrome)

192-6478 (Brushed Nickel *Spotless PVD*)

No.	Part Name	Material
1	Index	Plastic
2	Screw	Stainless Steel
3	Handle	Zinc
4	Trim Cap	Brass
5	Cartridge Locknut	Brass
6	Cartridge	Ceramic
7	Body	Brass
8	O-ring	Rubber
9	Aerator	Brass
10	Copper Tube (Hot)	Brass
11	Copper Tube (Cold)	Brass
12	Base	Zinc
13	O-ring	Rubber
14	Fixing Bolt	Stainless Steel
15	Rubber Washer	Rubber
16	Clamp	Stainless Steel
17	Locknut	Brass
18	Deck Plate	Stainless Steel
19	Putty Plate	Sponge
20	Allen Key	Steel
21	Drain Stopper	Brass
22	Flange	Brass
23	Top Rubber Washer	Rubber
24	Bottom Rubber Washer	Rubber
25	Washer	Plastic
26	Locknut	Zinc
27	Drain Body	Brass
28	Tailpiece	Brass
29	Horizontal Rod	Stainless Steel+Plastic
30	Rod Ball Plastic Gasket	Plastic
31	Rod Guide Nut	Brass
32	Spring Clip	Stainless Steel
33	Extend Rod	Steel
34	Lift Rod	Stainless Steel
35	Extend Rod Screw	Steel
36	Socket Wrench	Plastic

Cartridge (Type N)



Technical Support: warranty@cmiproduct.com
Hour of Operation: Mon - Fri 8:30 a.m - 5:00 p.m. EST