

AXOR Citterio

Single lever basin mixer for concealed installation wall-mounted with lever handle, spout 220 mm and escutcheons - rhombic cut

Surfaces: Article Number: **39181820**



product features

- consists of: single lever basin mixer for concealed installation wall-mounted, waste set
- projection: 220 mm
- spray type: Normal spray
- maximum flow rate at 3 bar: 5 l/min
- ceramic cartridge
- suitable for continuous flow water heaters
- non-closing waste set
- connection type: basic set
- connection dimension: DN15
- handle can be positioned on the right or left, depending on the basic set installation

Technology



Design awards



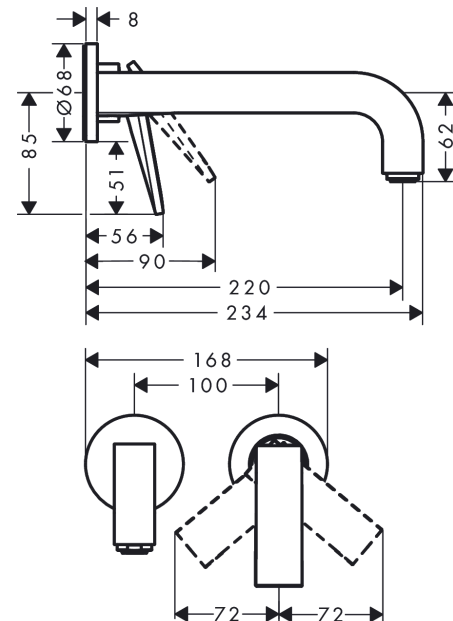
Certificates



Product image



Scale drawing



AXOR Citterio

Single lever basin mixer for concealed installation wall-mounted with lever handle, spout 220 mm and escutcheons - rhombic cut



Surfaces: Article Number: **39181820**

Flowchart

