

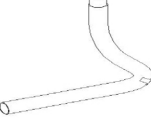
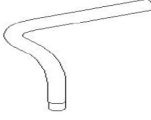




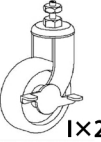

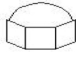




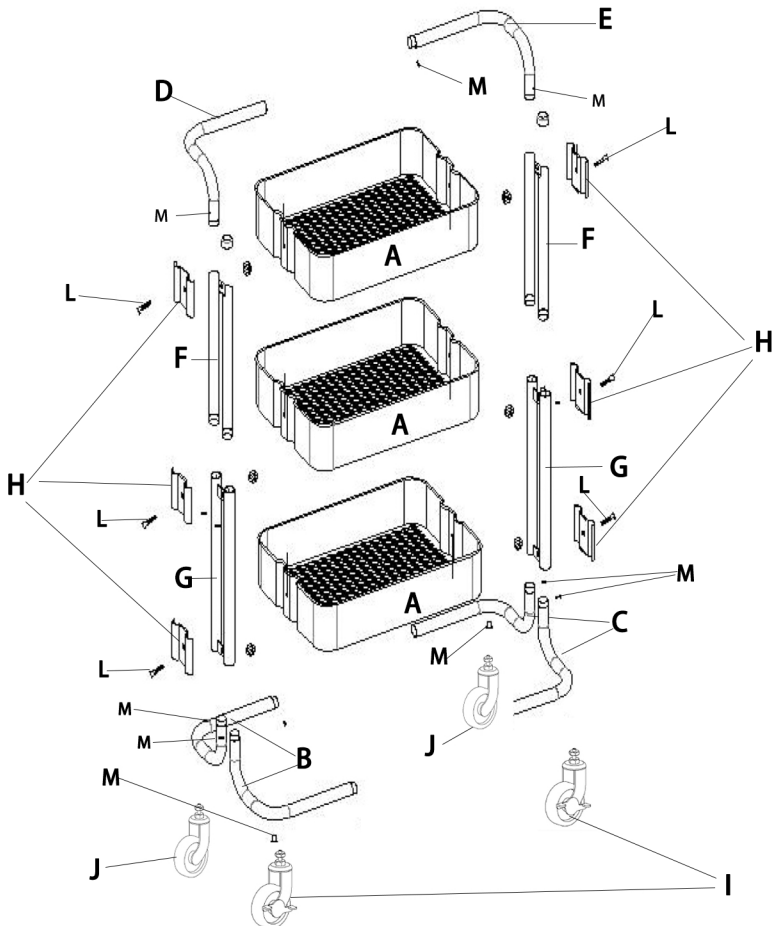


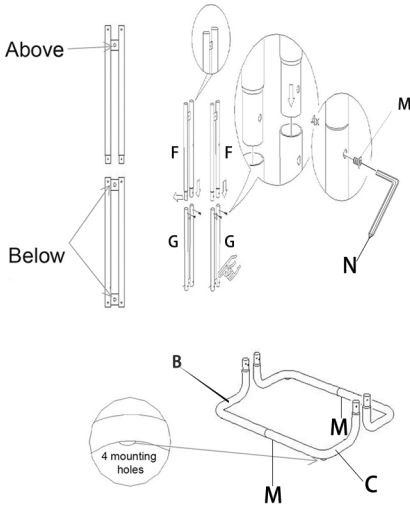
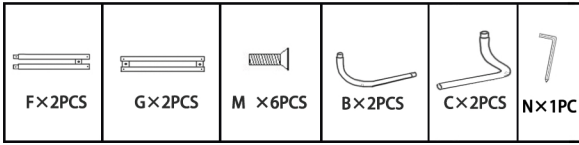
INSTRUCTION



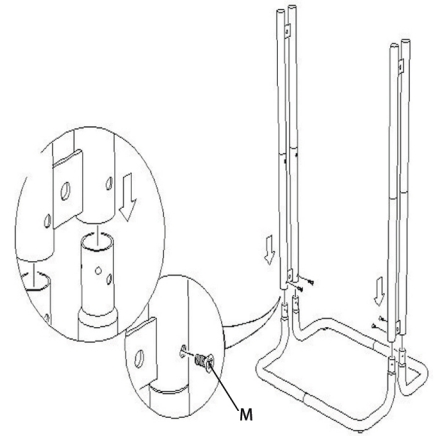
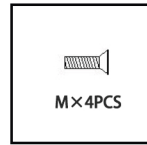
 A×3PCS	 B×2PCS	 C×2PCS	 D×1PC
 E×1PC	 F×2PCS	 G×2PCS	 H×6PCS
 I×2PCS	 J×2PCS	 K×6PCS	 L×6PCS
 M×13PCS	 N×1PC	 O×1PC	



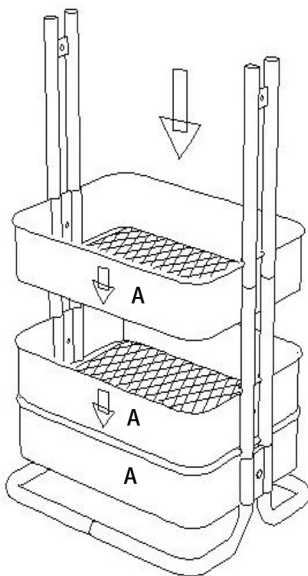
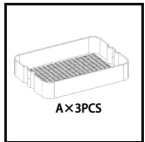
Step 1



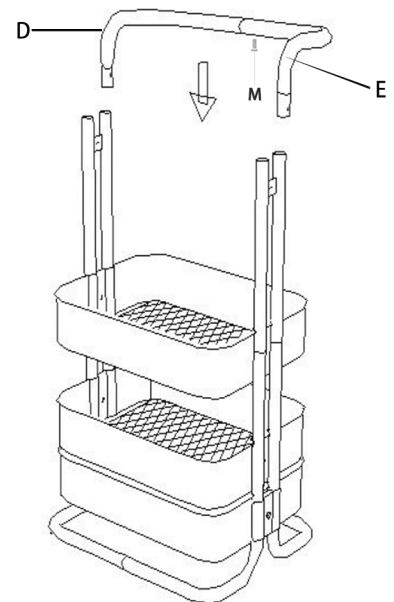
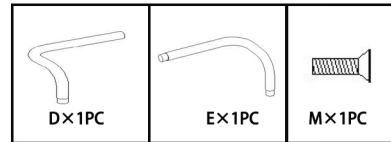
Step 2



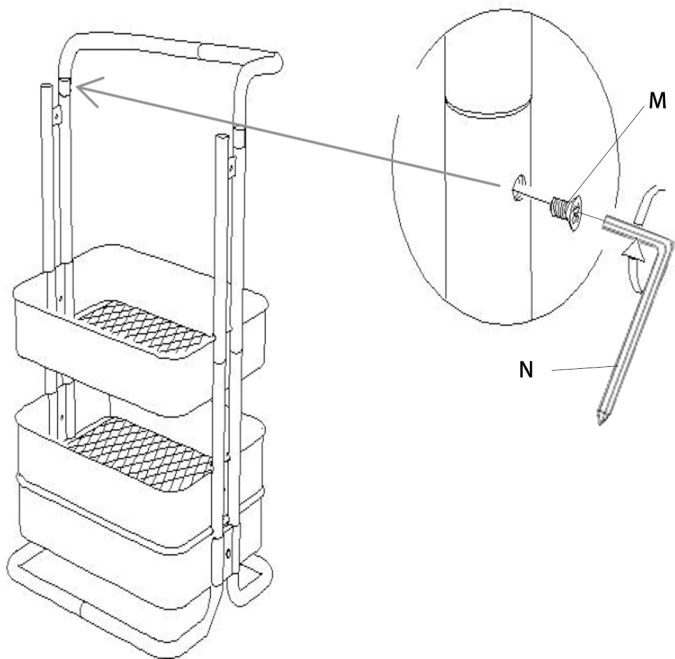
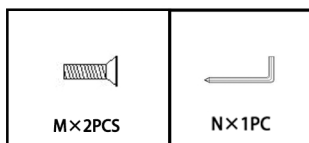
Step 3



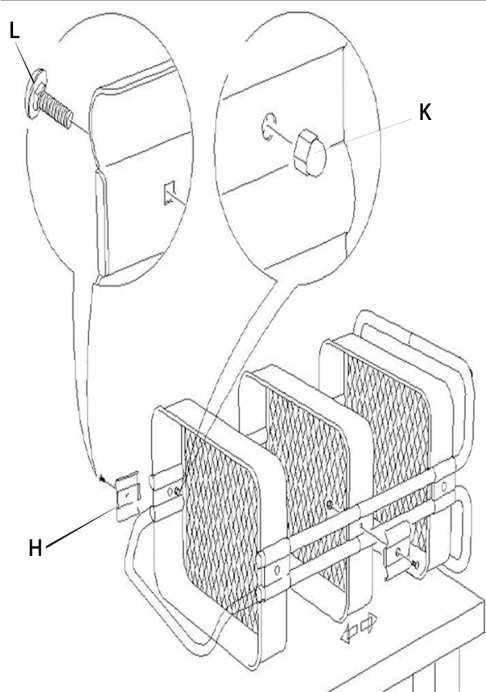
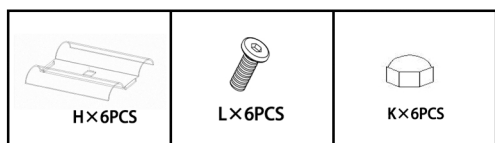
Step 4



Step 5



Step 6



Step 7

