

ELKAY[®]

SPECIFICATIONS

Lustertone[®] Sink-ette[®] Single Bowl Sink with Single Drainboard

Models ILR3322L, ILR3322R, ILR4322L and ILR4322R

GENERAL

Drop-in Sink-ette with single drainboard. The ideal solution to where to place a hot pot! Highest quality Lustertone sink bowl and integral fan pitched drainboard seamlessly drawn of #18 gauge, type 304 (18-8) nickel bearing stainless steel.
Top Mount

DESIGN FEATURES

Bowl Depth: 7-5/8" (194mm).
Coved Corners: 1-3/4" (44mm) vertical and horizontal radius.
Finish: Exposed surfaces are hand blended to a lustrous highlighted satin finish.
Underside: Fully undercoated to reduce condensation and deaden sound.

OTHER

Drain opening: 3-1/2" (89mm).
NOTE: Unless otherwise specified, sink is furnished with 3 faucet holes as shown.
Suffix "L" (left) or "R" (right) denotes sink bowls are to left or right of drainboard.

OPTIONAL ACCESSORIES

Rinsing Basket: LKWERBSS.

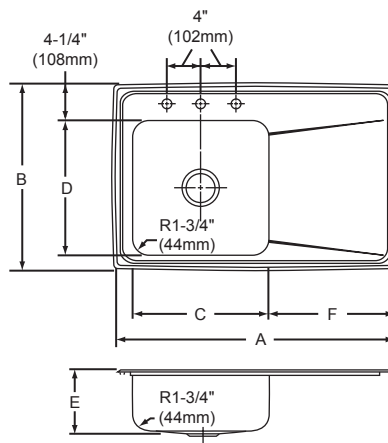
Sink complies with ASME A112.19.3/ CSA B45.4

 Sinks are listed by IAPMO[®] as meeting the applicable requirements of the Uniform Plumbing Code[®], International Plumbing Code[®], and National Plumbing Code of Canada.

SINK DIMENSIONS (INCHES)*

Model Number	Overall		Inside Bowl			Drain Board Length	Bowl Location	Cutout in Countertop (1 1/2" Radius Corners)		No. of 1 1/2" Dia. Faucet Holes 4" Center	Minimum Cabinet Size
	L	W	L	W	D			L	W		
	A	B	C	D	E	F					
ILR3322L	33 (838mm)	22 (559mm)	16 (406mm)	16 (406mm)	7 3/8 (194mm)	15 (381mm)	Left	32 3/8 (822mm)	21 3/8 (543mm)	1, 2, MR2, 3, or 4	36 (914mm)
ILR3322R	33 (838mm)	22 (559mm)	16 (406mm)	16 (406mm)	7 3/8 (194mm)	15 (381mm)	Right	32 3/8 (822mm)	21 3/8 (543mm)	1, 2, MR2, 3, or 4	36 (914mm)
ILR4322L	43 (1092mm)	22 (559mm)	22 (559mm)	16 (406mm)	7 3/8 (194mm)	19 1/2 (495mm)	Left	42 3/8 (1076mm)	21 3/8 (543mm)	1, 2, MR2, 3, 4 or 5	48 (1219mm)
ILR4322R	43 (1092mm)	22 (559mm)	22 (559mm)	16 (406mm)	7 3/8 (194mm)	19 1/2 (495mm)	Right	42 3/8 (1076mm)	21 3/8 (543mm)	1, 2, MR2, 3, 4 or 5	48 (1219mm)

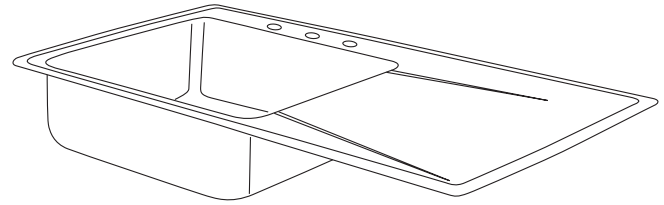
* Length is left to right. Width is front to back.



Model ILR3322L3 Illustrated

In keeping with our policy of continuing product improvement, Elkay reserves the right to change product specifications without notice. Please visit elkay.com for the most current version of Elkay product specification sheets.

This specification describes an Elkay product with design, quality, and functional benefits to the user. When making a comparison of other producers' offerings, be certain these features are not overlooked.



Model ILR3322L3

