

INSTRUCTION MANUAL ENCLOSED

ATTENTION

**IF YOU HAVE ANY PROBLEMS OR QUESTIONS, EMAIL OR CALL
CUSTOMER SERVICE BEFORE YOU RETURN THIS PRODUCT TO THE
STORE WHERE IT WAS PURCHASED.**

INSTRUCTION MANUAL ENCLOSED

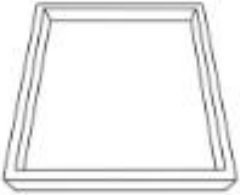
OUTDOOR CHAIR

OUTDOOR CHAIR ASSEMBLY INSTRUCTION



Part	PARTS LIST Description	Quantity
	<i>PARTS</i>	
A	Seat plate	1
B	Right armrest	1
C	Left armrest	1
H	Seat cushion	1
I	Back cushion	1
J	Lumbar pillow	1
	<i>HARDWARE</i>	
D	Link Pipe	1
E	Bolts M6*40	6
F	Bolts M6*30	2
G	Allen Key	1

A



x1

B



x1

C



x1

D



x1

E



x6 M6*40

F



x2 M6*30

G



x1

H



x1

I



x1

J



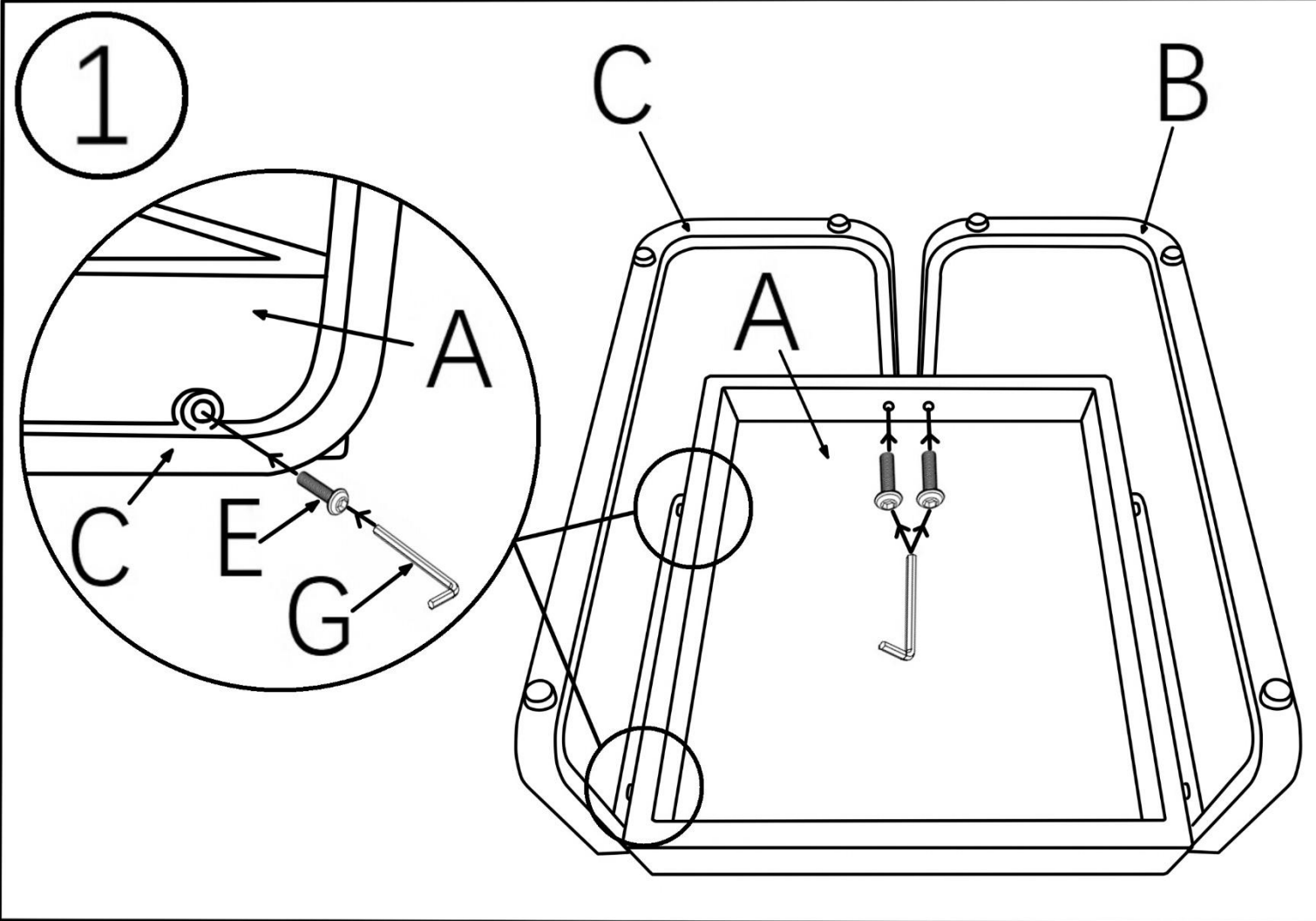
x1

PLEASE READ AND FOLLOW ALL SAFETY TIPS

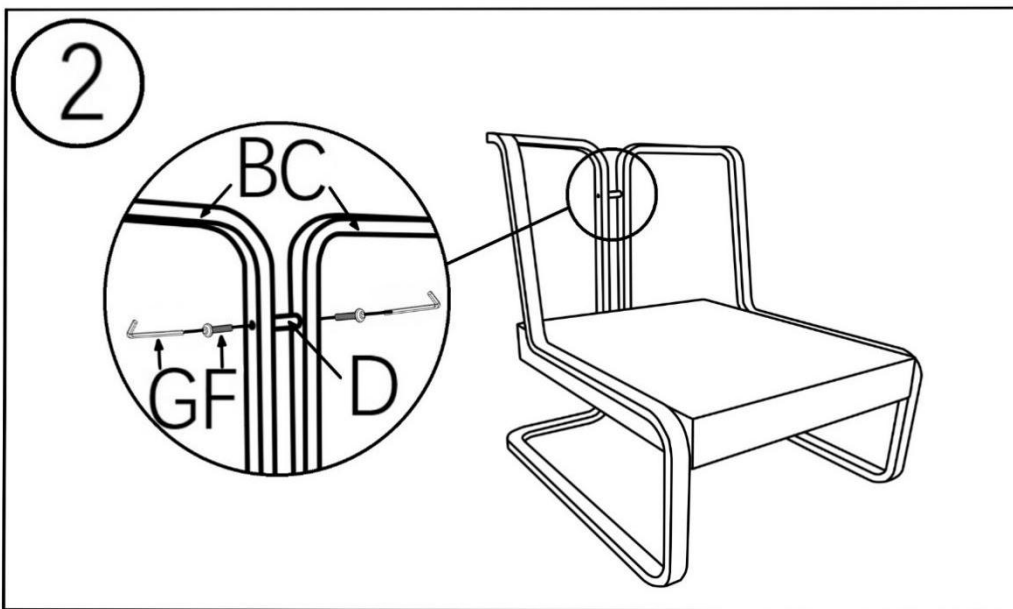
Warm Tips:

1. The plastic covers on some metal parts are just for product protection. Please remove it before assembly.
2. Please follow the sequence of AI during assembly.
3. Do not tighten the screws until all of them are in right positions.

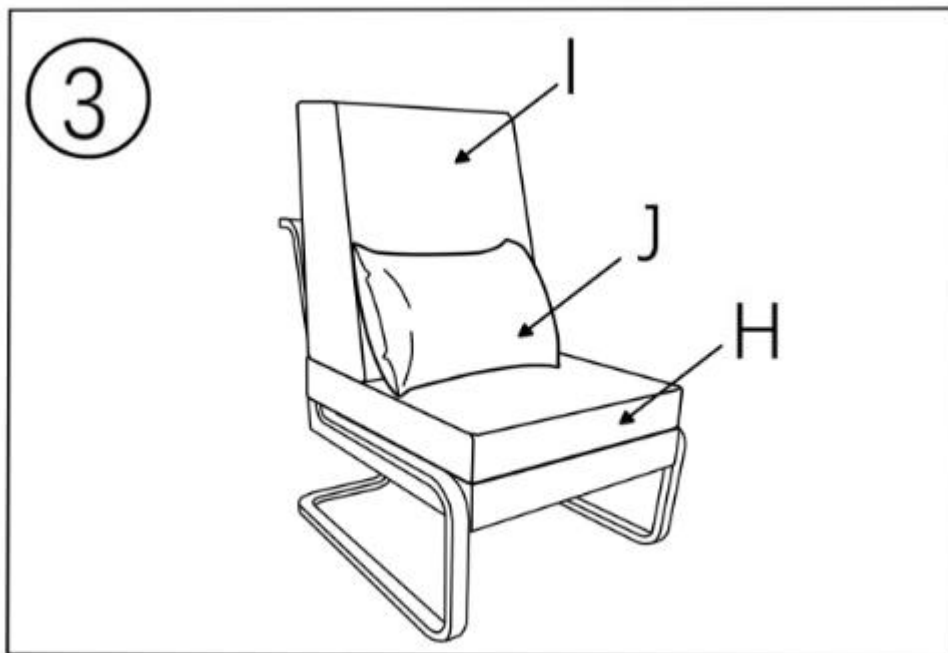
1. Position left armrest(C) and right armrest(B) to the seat plate (A) by the pre-drilled threads. Use Allen Key(G) to fasten Bolts(E). Each armrest should have 3 bolts fastened. (Photo 1)



2. Position Link Pipe(D) between left armrest(C) and right armrest(B) by the pre-drilled threads. Use Allen Key(G) to fasten Bolts(F). Link Pipe should have 2 bolts fastened. (Photo 2)



3. Place Back Cushion (I) & Pillow (J) and Seat cushion (H) on the assembled chair as shown.



You have completed assembling the furniture – enjoy!