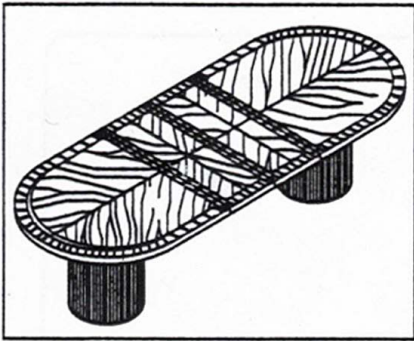
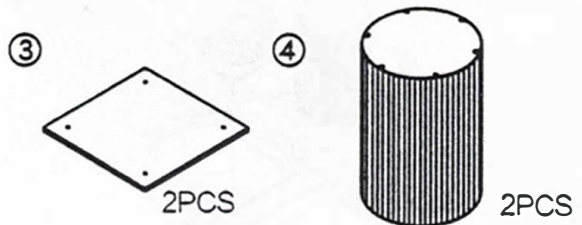
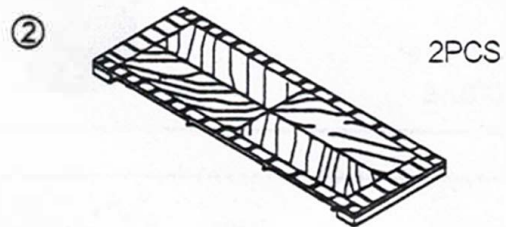


# ASSEMBLY INSTRUCTIONS

## Oval Dining Table



### + Parts Included



+ Do Not Use  
power Tools



+ Suggested  
Adults



### Note:

- 1 Read instructions cover to cover.
- 2 Save all packaging until assembly is completed.

### 1 IMPORTANT SAFETY INFORMATION

Do not assemble the product if any of the following parts arrived damaged:

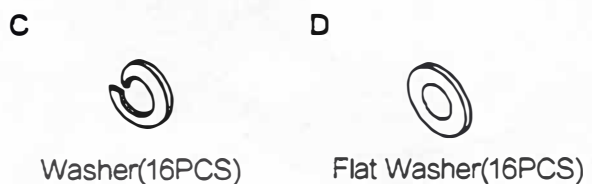
- Part# -Table Top
- Part# -Table Leaf
- Part# -Connection Panel
- Part# -Base

### 2 IMPORTANT ASSEMBLY INFORMATION

**Assembly step** Use Bolt B to connect Part 4 to Part 3, use Bolt B to connect Part 3 to Part 1,

\*Warning: Do not over tighten screws, or it could damage the Table Top.

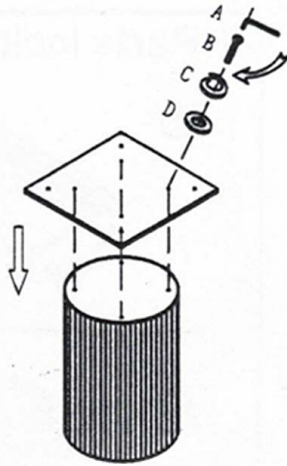
### + Hardware Included



# ASSEMBLY INSTRUCTIONS

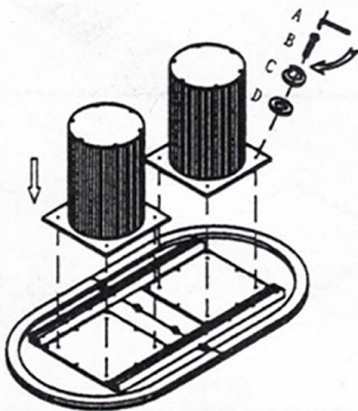
## Oval Dining Table

1



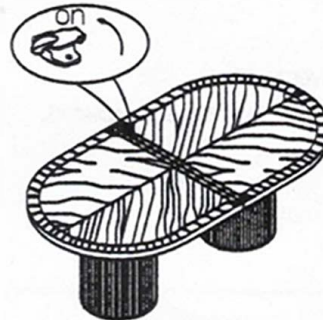
**Note:** Do not over tighten screws

2

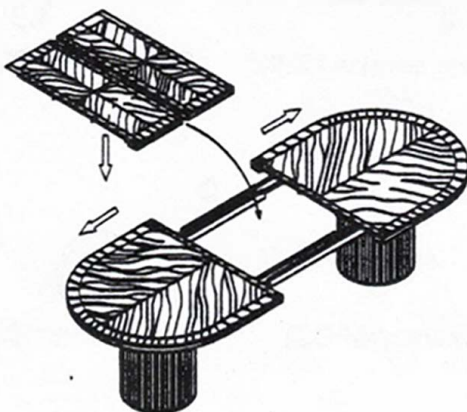


**Note:** Do not over tighten screws

3



4



5

