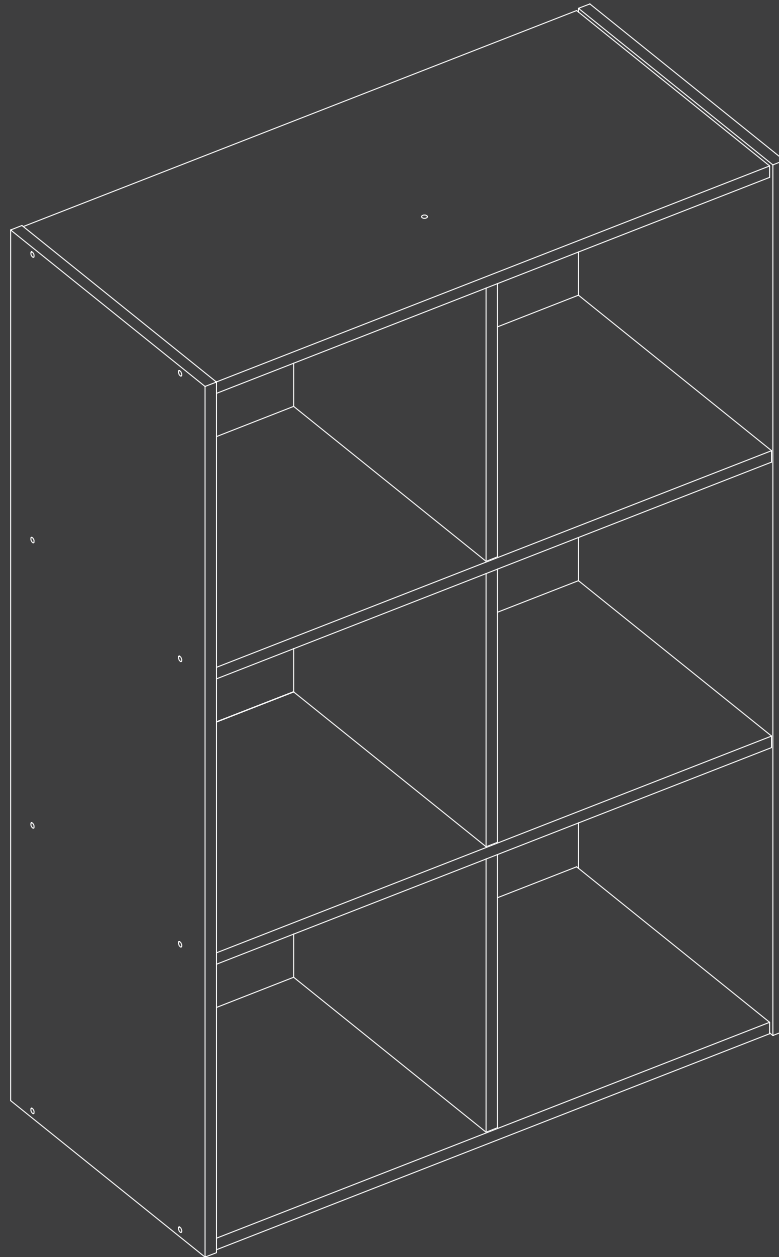


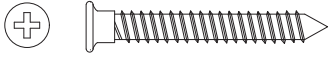
6-Cube Storage Organizer

Instruction Manual



1 Hardware Identification

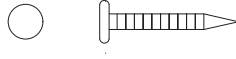
1 Screw



x18

1-1/2"(silver)

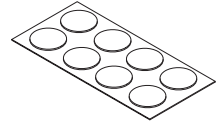
2 Nail



x36

5/8"(silver)

3 Cover sticker



x3

4 Wooden dowel



x4

Ø6*30mm

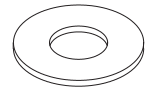
5 Wooden dowel



x4

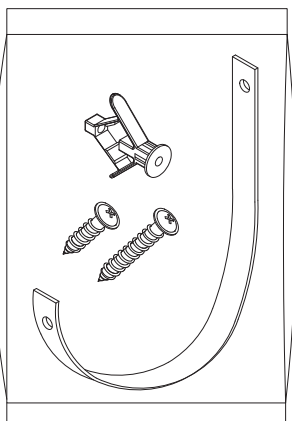
Ø6*60mm

6 Washer



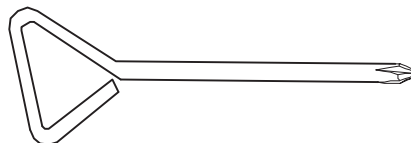
x1

7 Furniture tipping restraint kit



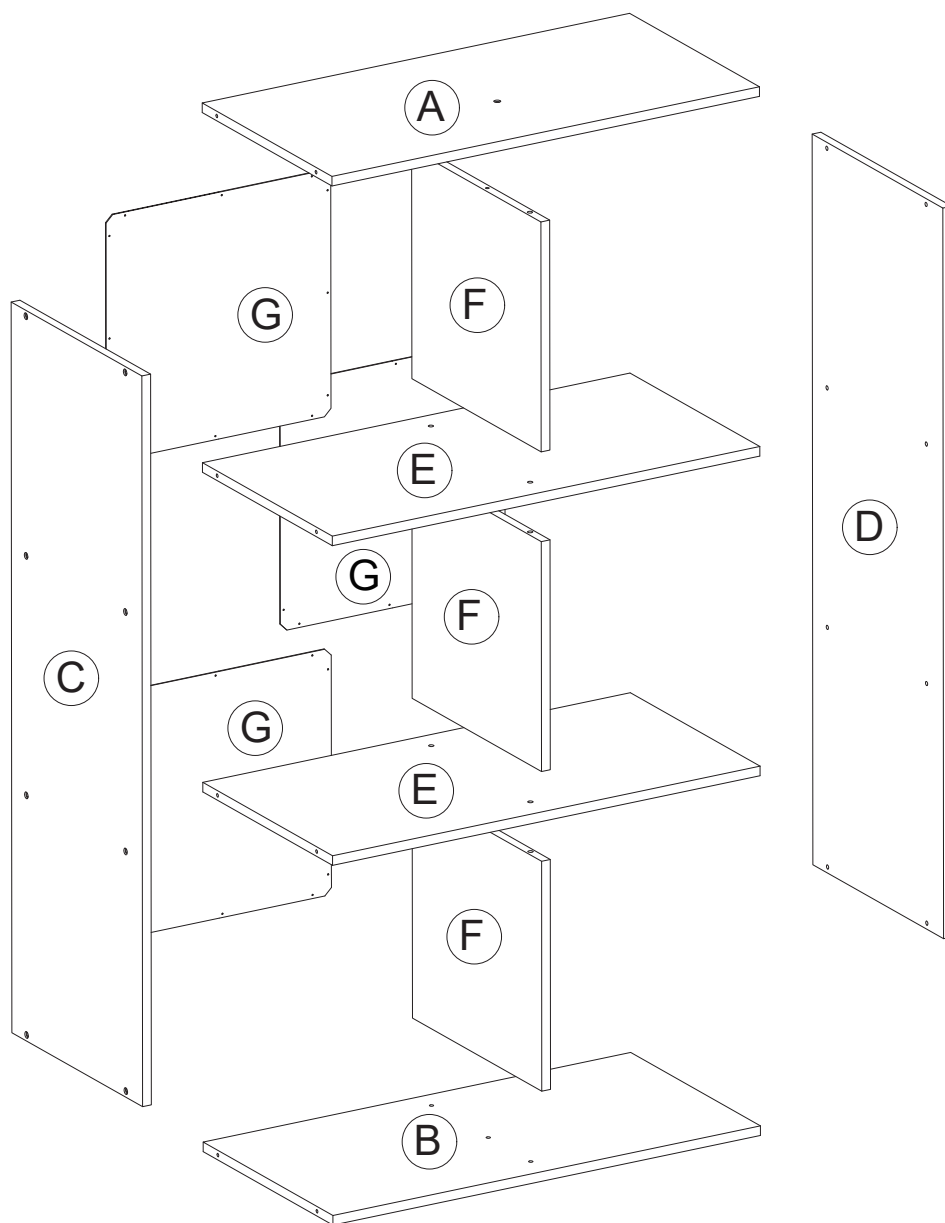
x1

8 Triangular handle screwdriver


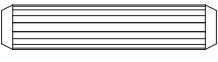



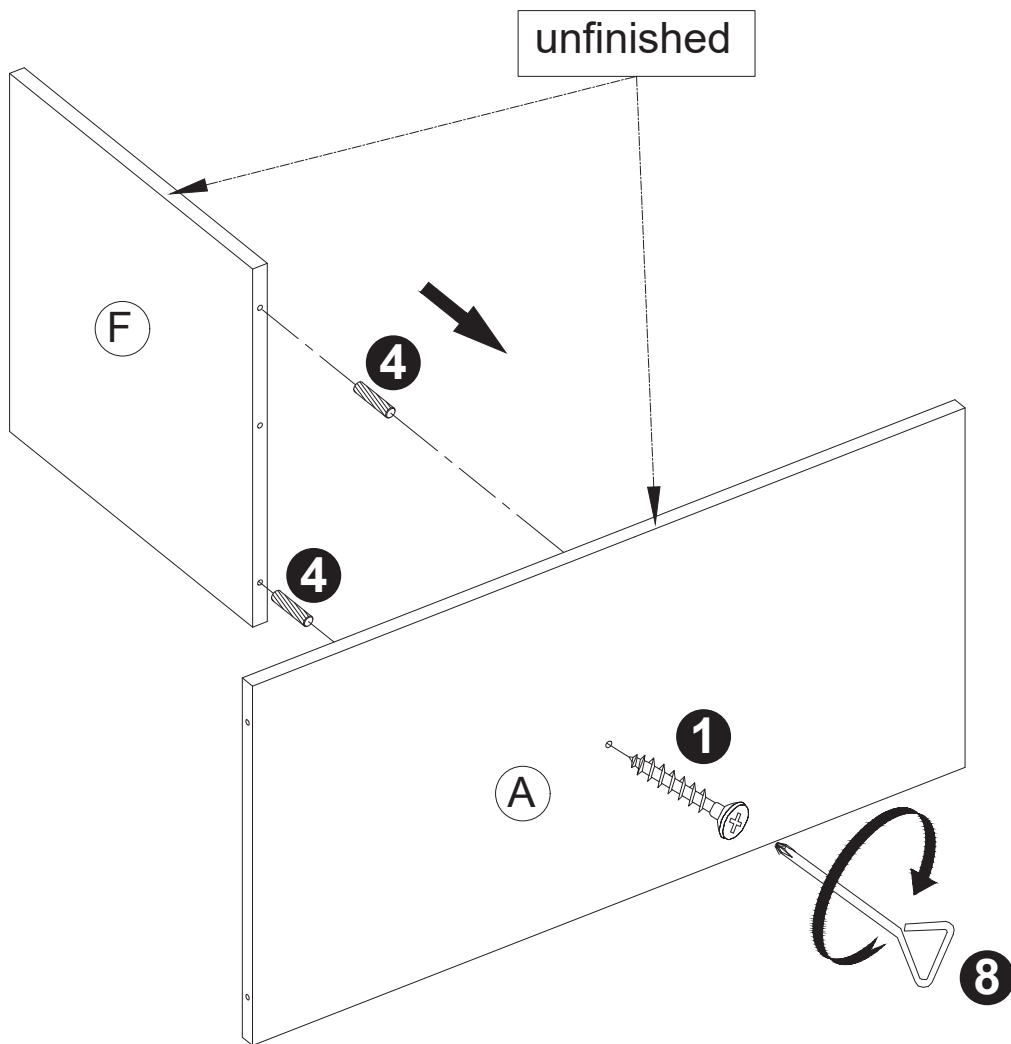
x1

2 Exploded View

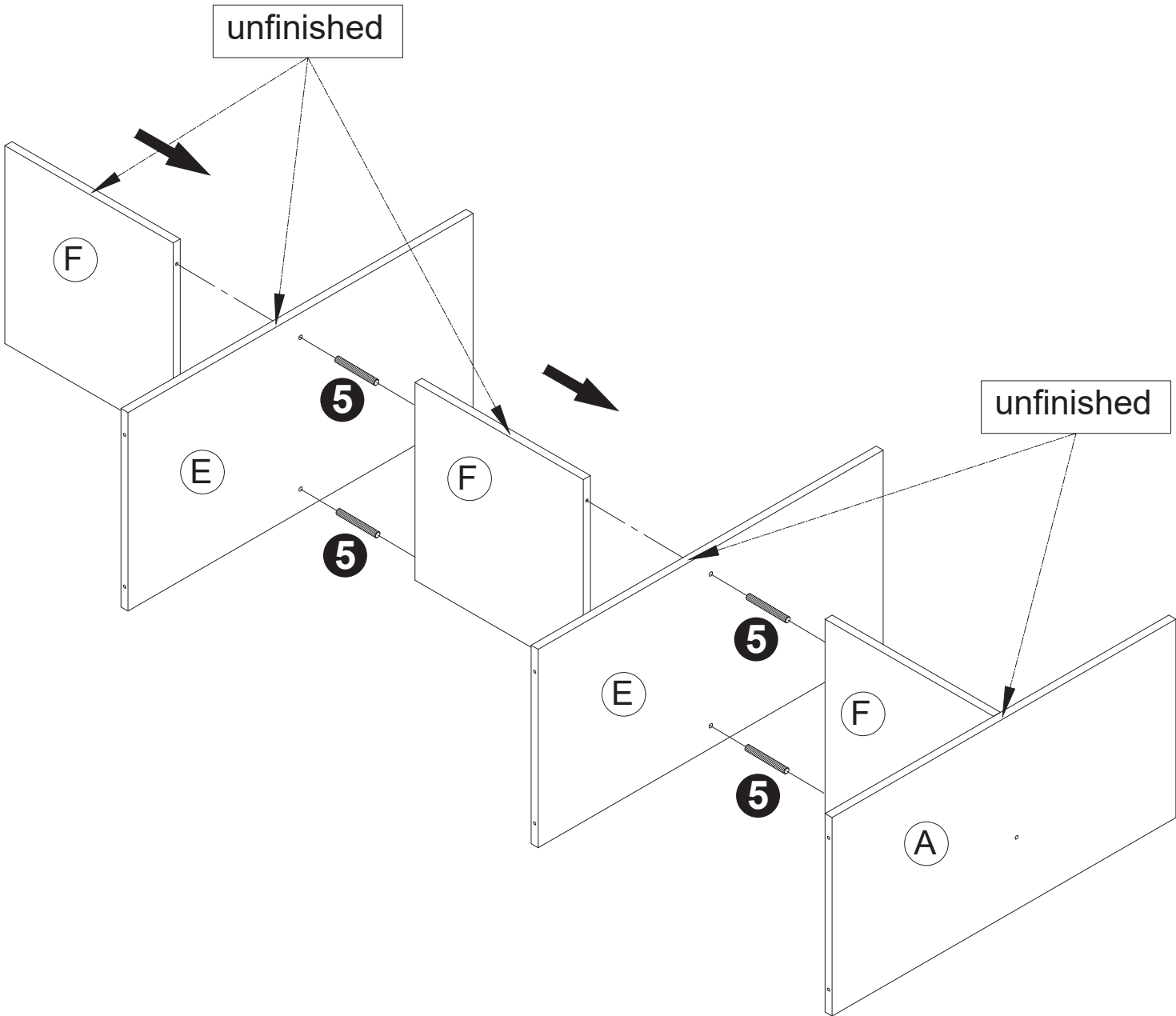
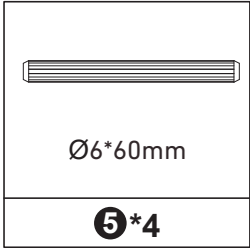


Step 1

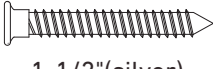
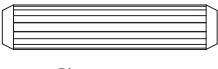
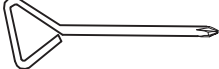
 1-1/2" (silver)	 Ø6*30mm	
1 *1	4 *2	8 *1

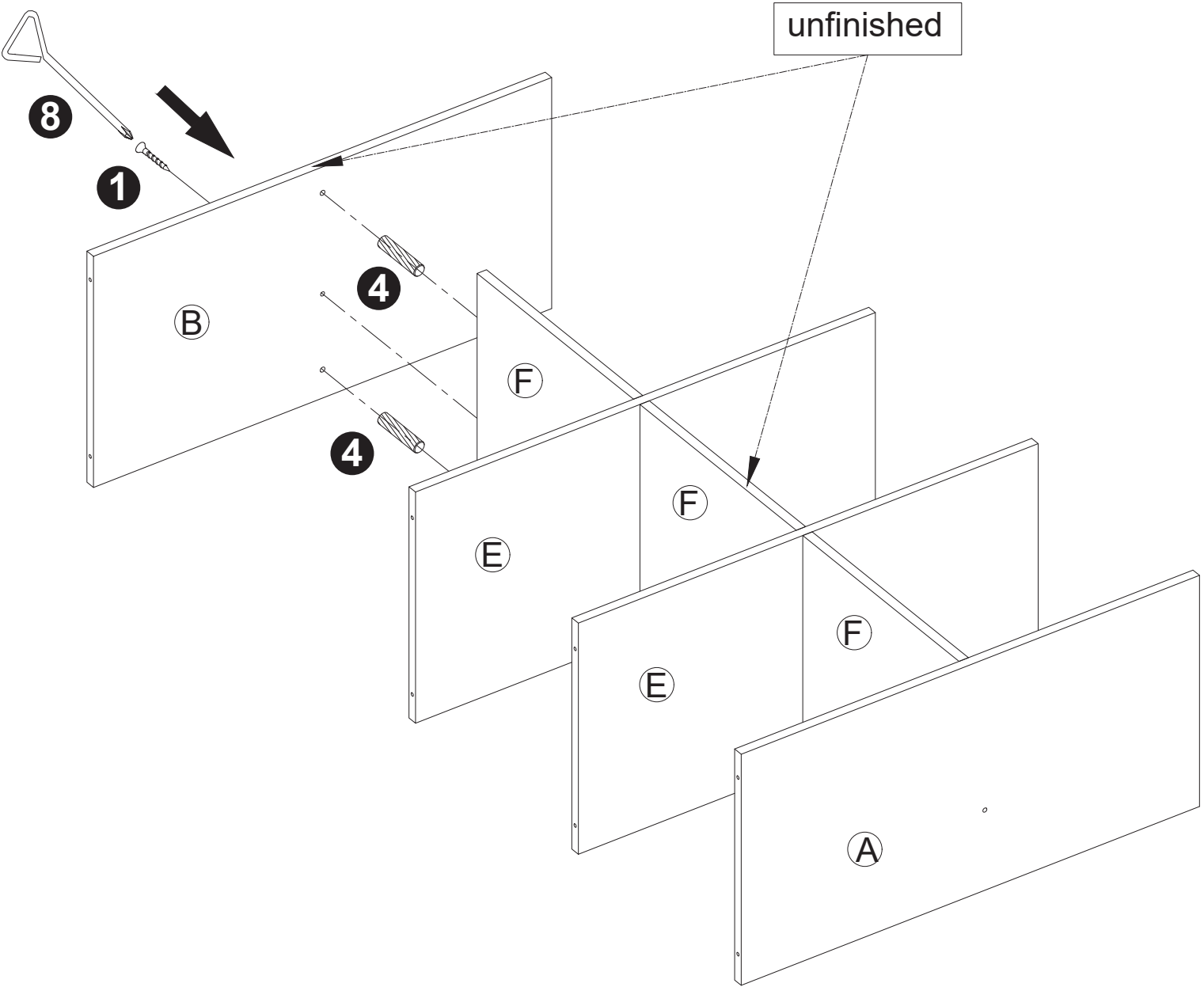


Step 2

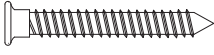
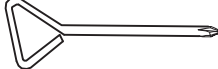


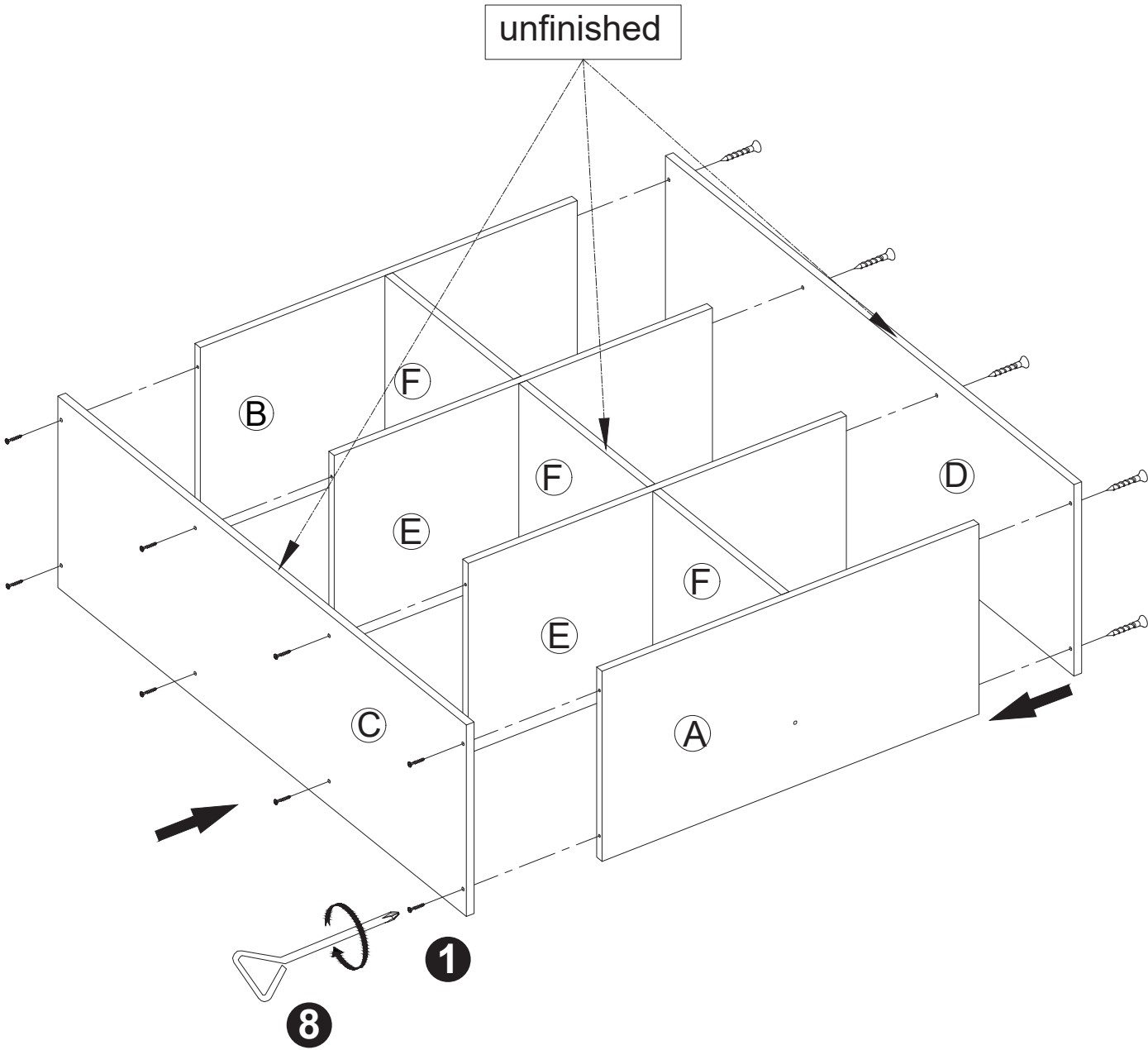
Step 3

 1-1/2"(silver)	 Ø6*30mm	
1 *1	4 *2	8 *1

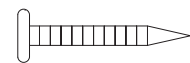


Step 4

 1-1/2"(silver)	
1 *16	8 *1

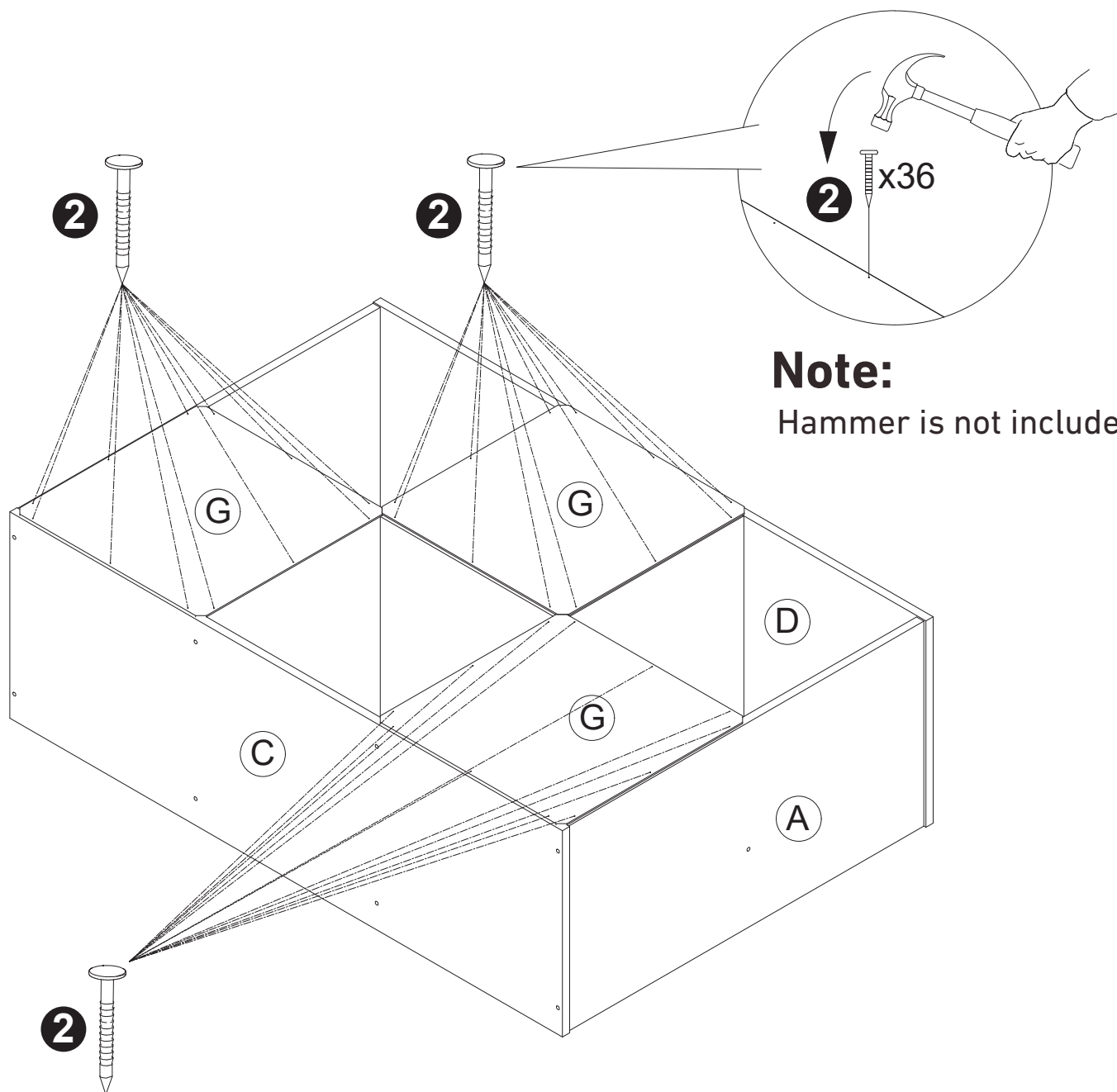


Step 5



Nail 5/8"(silver)

2*36



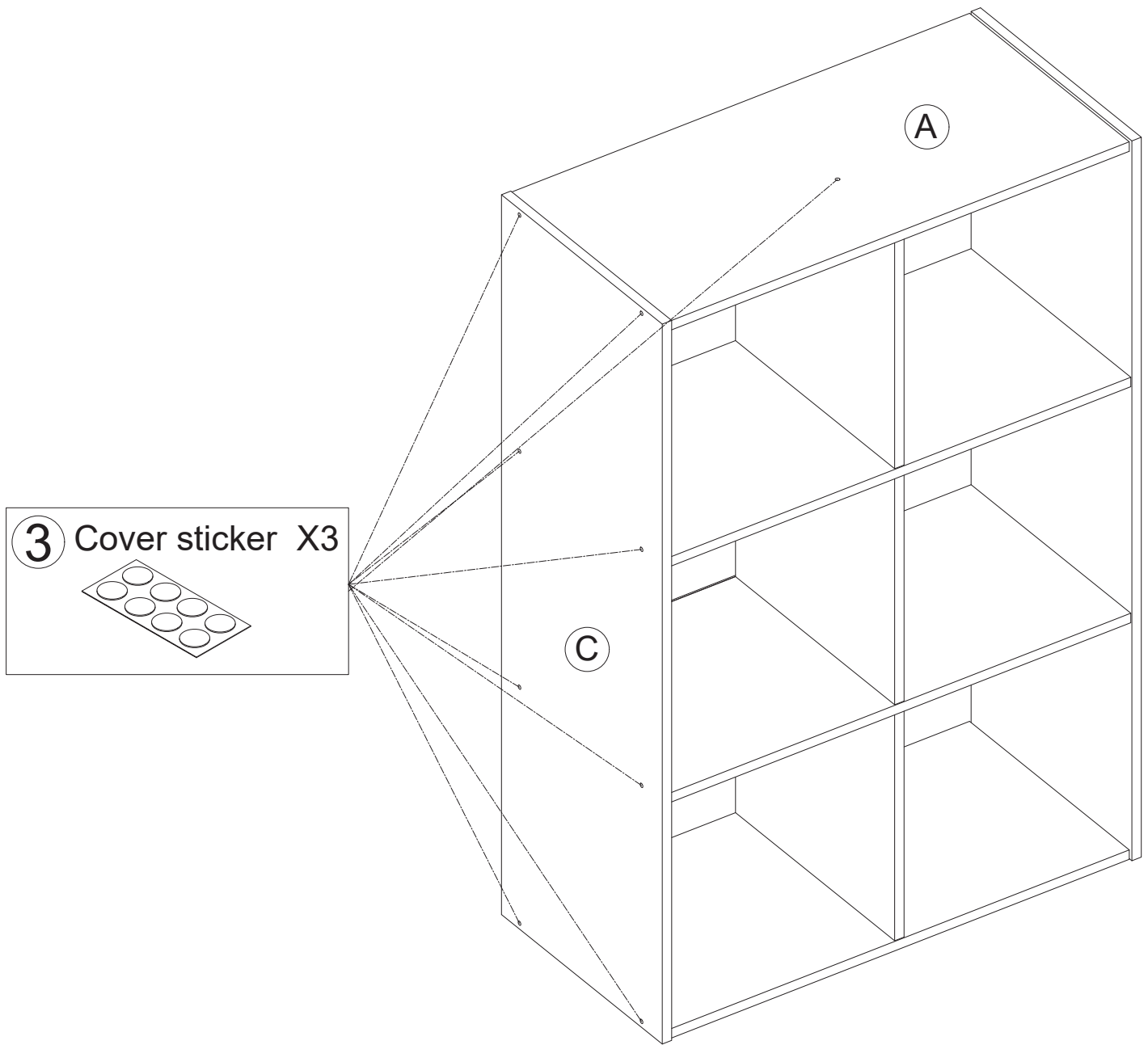
Note:

Hammer is not included.

Note:

The position of panel (G) can be adjusted according to personal preference, but we recommend installing it as shown for greater stability.

Step 6

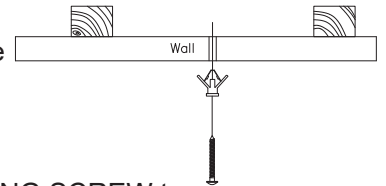
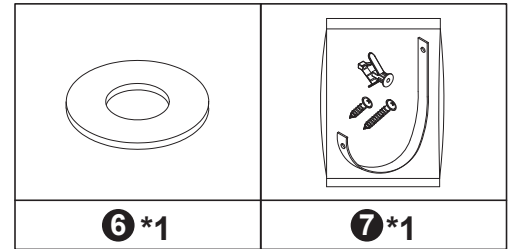
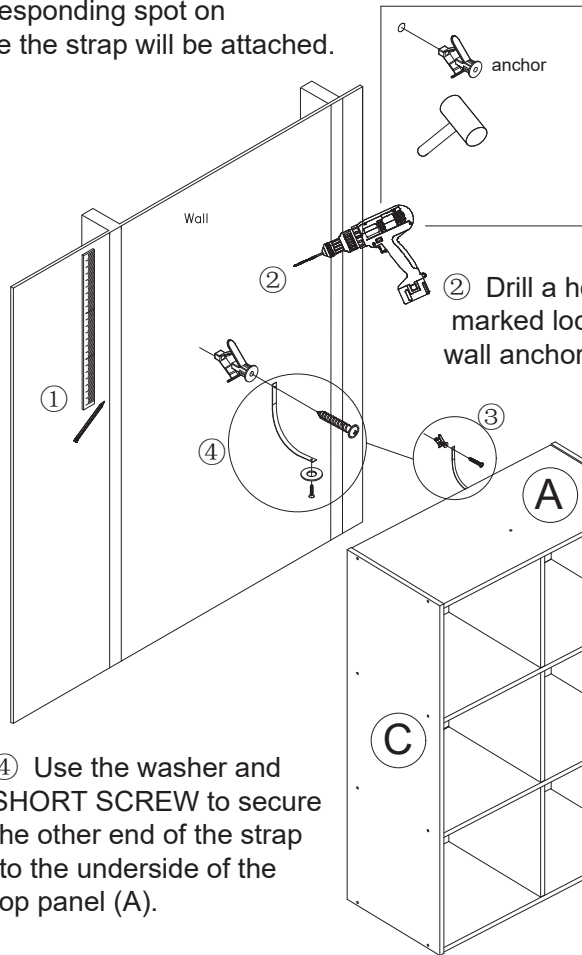


Apply the cover stickers to hide the screw heads.

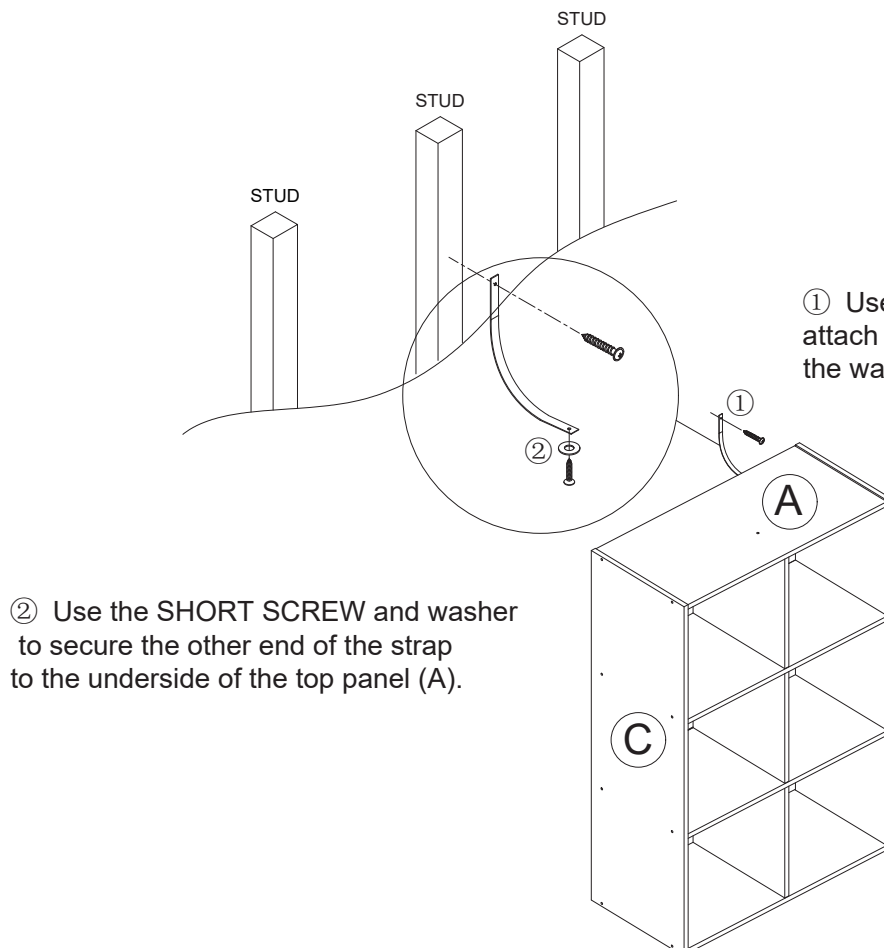
Step 7

Option A:

- ① Mark the corresponding spot on the wall where the strap will be attached.

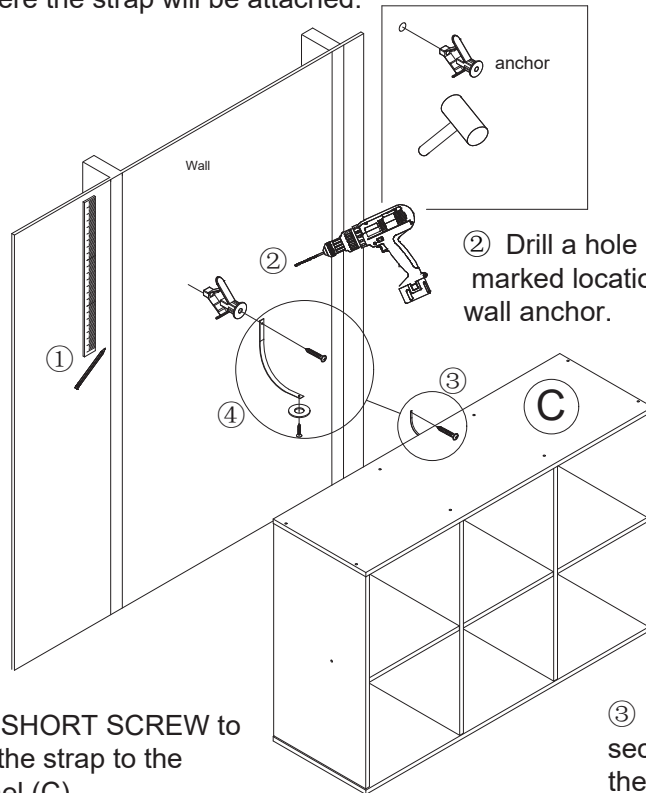


Option B:



Option C:

- ① Mark the corresponding spot on the wall where the strap will be attached.

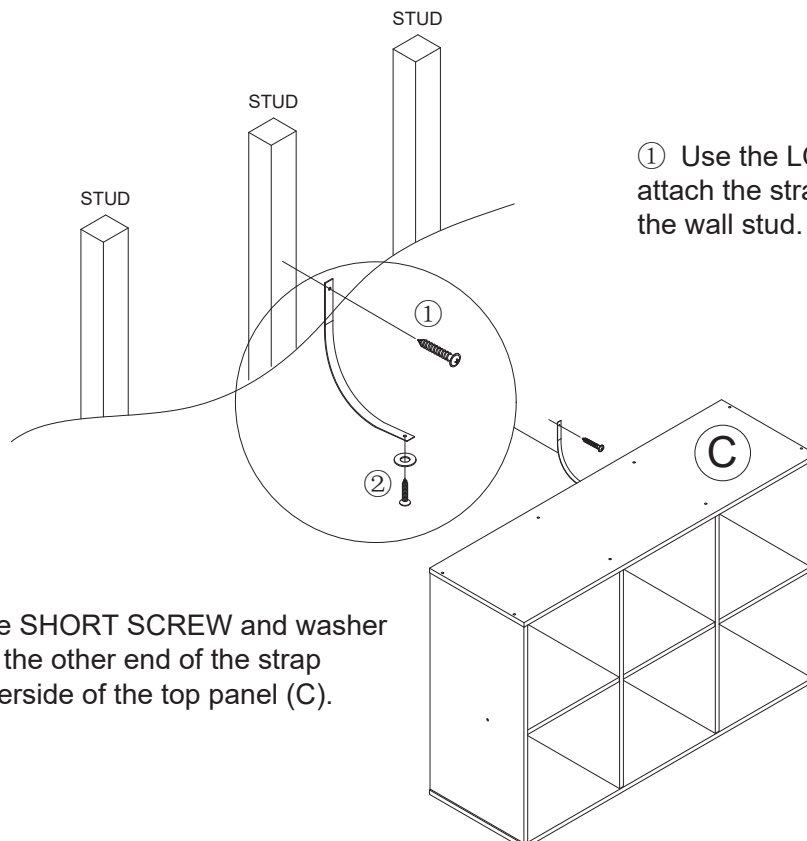


- ② Drill a hole into the wall at the marked location, and insert the wall anchor.

- ④ Use the washer and SHORT SCREW to secure the other end of the strap to the underside of the top panel (C).

- ③ Use the LONG SCREW to secure the strap directly into the wall anchor. Tighten firmly with a screwdriver.

Option D:



- ① Use the LONG SCREW to attach the strap directly into the wall stud.

- ② Use the SHORT SCREW and washer to secure the other end of the strap to the underside of the top panel (C).

