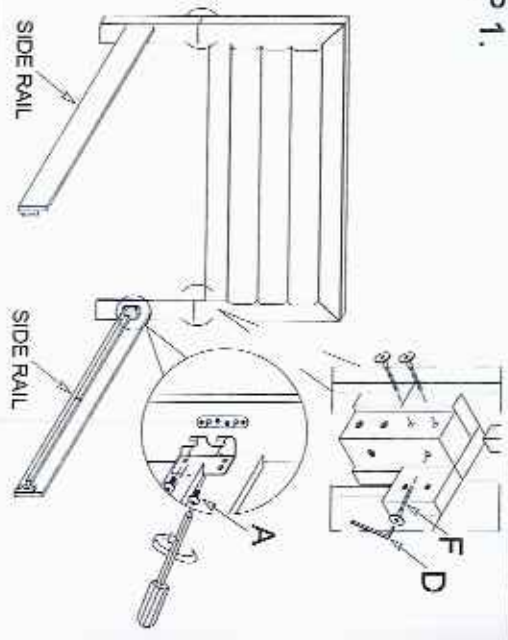


ASSEMBLY INSTRUCTION

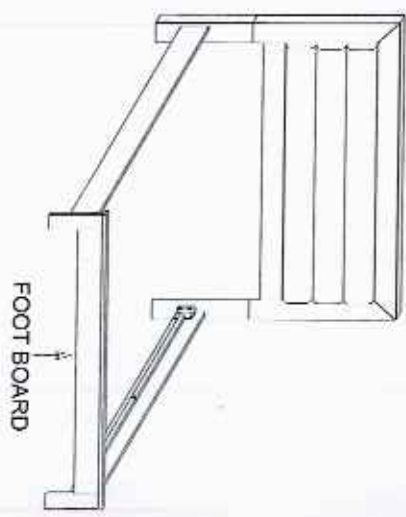
FULL BED 54" X 76"

Before you begin, please read Assembly Instruction carefully and recognized the part and hardware. Then follow them step by step.

STEP 1.

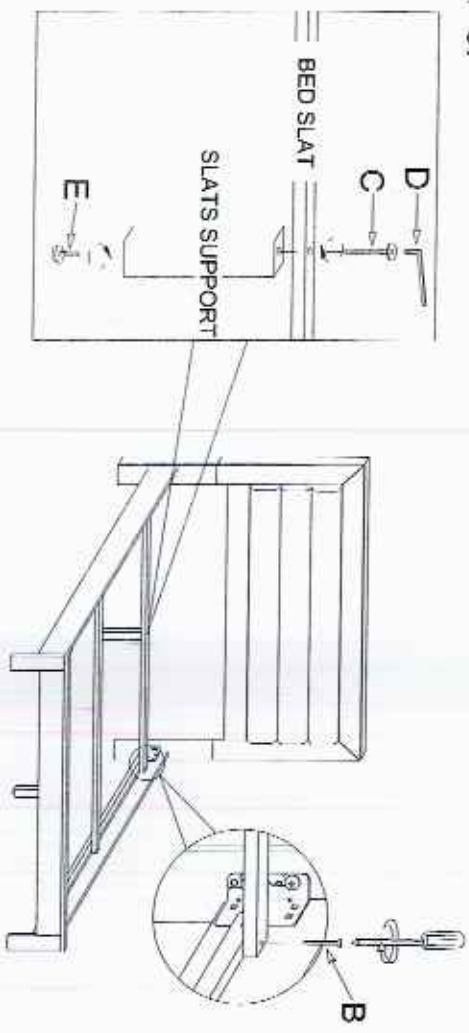


STEP 2.

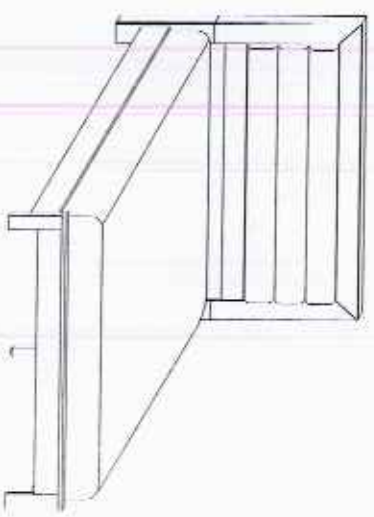


TIPS: REPEAT STEP 1 TO JOINT FOOT BOARD.

STEP 3.



COMPLETE SET



NO	HARDWARE DESCRIPTION	QTY
A.	Screw M8	8PCS
B.	Chipboard Screw M4 x 32mm	6PCS
C.	JCBC Bolt M6 x 40mm	3PCS
D.	Allen Key	1PC
E.	Adjuster Screw M6 x 24mm	3PCS
F.	JCBC Bolt M6 X 60mm	6PCS

SCREW DRIVER NOT PROVIDE !

* TOTAL SLAT : 3PCS (WITH JCBC HOLE) + 3PCS (SLATS SUPPORT)