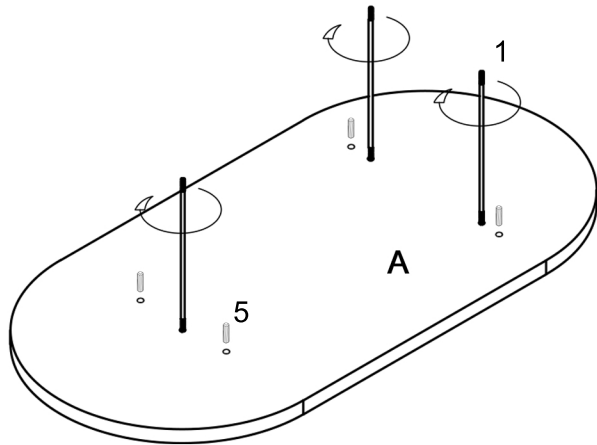










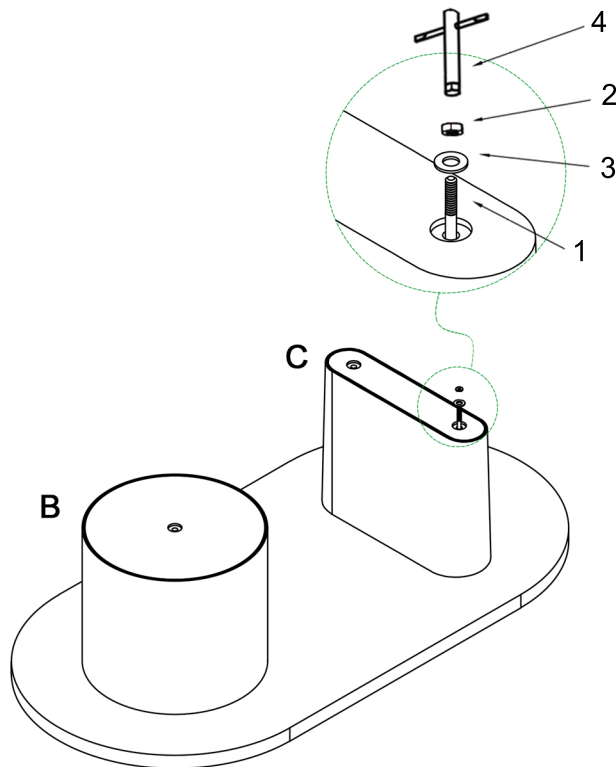
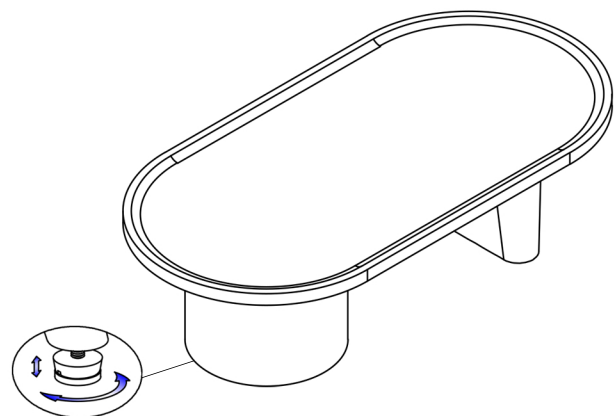
THANK YOU FOR PURCHASING THIS QUALITY PRODUCT.
 BE SURE TO CHECK ALL PACKING MATERIAL CAREFULLY FOR SMALL PARTS THAT MAY HAVE COME LOOSE INSIDE THE CARTON DURING SHIPMENT.

STEP 1

PART LIST

NO	DECS	SIZE (MM)	SKETCH	QTY
A	TOP	1400*700*35		1PC
B	TABLE LEG-1	Φ400*350		1PC
C	TABLE LEG-2	450*150*350		1PC

HARDWARE LIST

NO	DECS	SIZE (MM)	SKETCH	QTY
1	LONG BOLT	M8*370		3PCS
2	NUT	M8		3PCS
3	FLAT WASHER	Φ22*1.5*Φ12		3PCS
4	HEXAGON SOCKET	14#		1PC
5	WOODEN TENON	M8*30		4PCS

STEP 2

FINISHED


Adjustable glides are under the table legs,
adjust it if needed.

MADE IN CHINA