

Features

- Metal construction
- One-piece, self-contained ceramic disc valve allows for both volume and temperature control
- 4-3/16" (107 mm) spout reach
- Stationary spout
- Lever handle
- Metal throat plate
- Metal pop-up drain with tailpiece
- Flexible supplies
- Red/blue indexing
- Vandal-resistant aerator
- 0.5 gpm (1.9 lpm) maximum flow rate at 60 psi (4.14 bar)

Installation

- For 4" (102 mm) centers

Recommended Products/Accessories

K-23726 Drain treatment

Optional Products/Accessories

1160594 .35 gpm Aerator, Large



ADA

CSA B651

OBC

Codes/Standards

ASME A112.18.1/CSA B125.1
NSF/ANSI/CAN 61
NSF/ANSI/CAN 372
DOE - Energy Policy Act 1992
California Energy Commission (CEC)
ADA
ICC/ANSI A117.1
CSA B651
OBC

KOHLER[®] Faucet Lifetime Limited Warranty

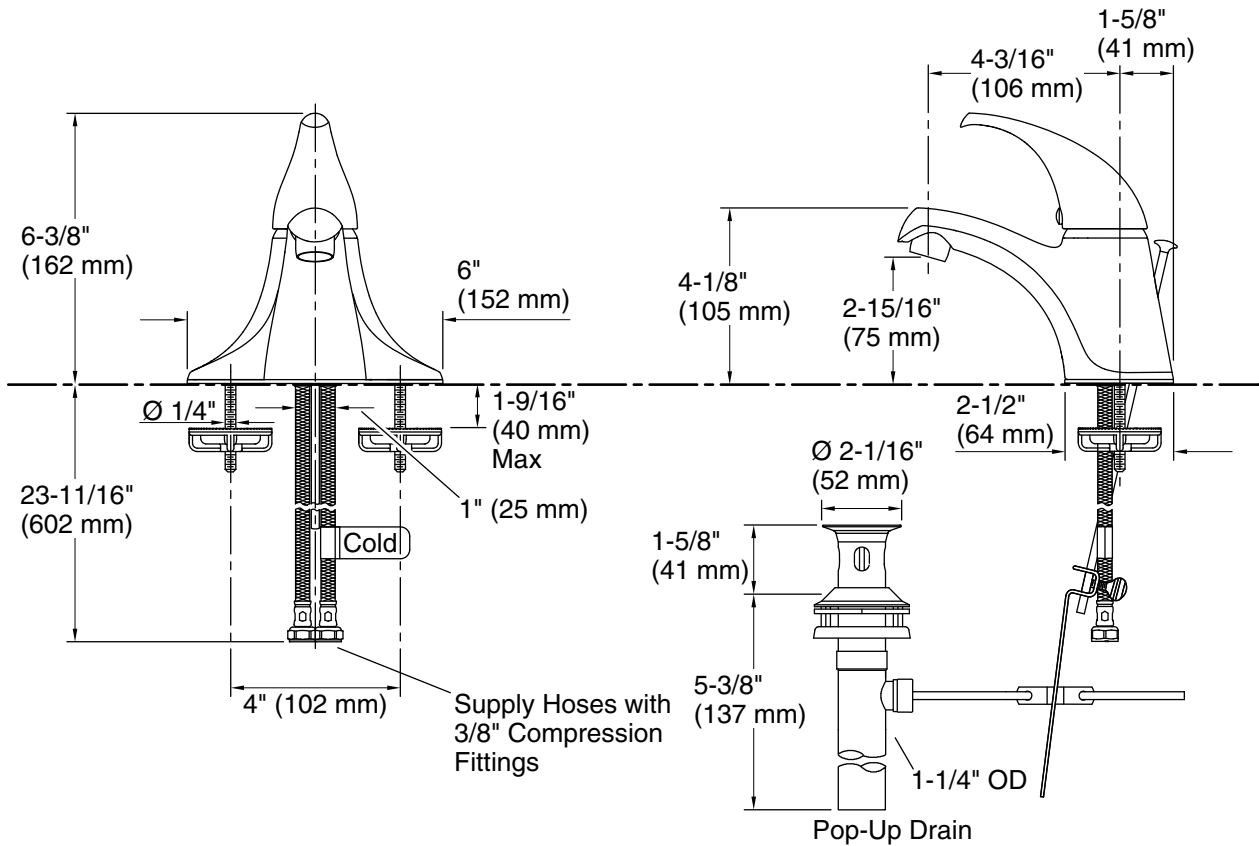
See website for detailed warranty information.

Available Colors/Finishes

Color tiles intended for reference only.

Color Code Description

 CP Polished Chrome



Technical Information

All product dimensions are nominal.

Faucet flow rate: 0.5 gal/min (1.9 l/min)

Drain included: Yes

Drain with overflow: Yes

Drain tailpiece included: Yes

Spout:

Spout reach: 4-3/16" (106 mm)

Notes

Install this product according to the installation guide.

ADA compliant for handles only.

ADA, OBC, CSA B651 compliant when installed to the specific requirements of these regulations.