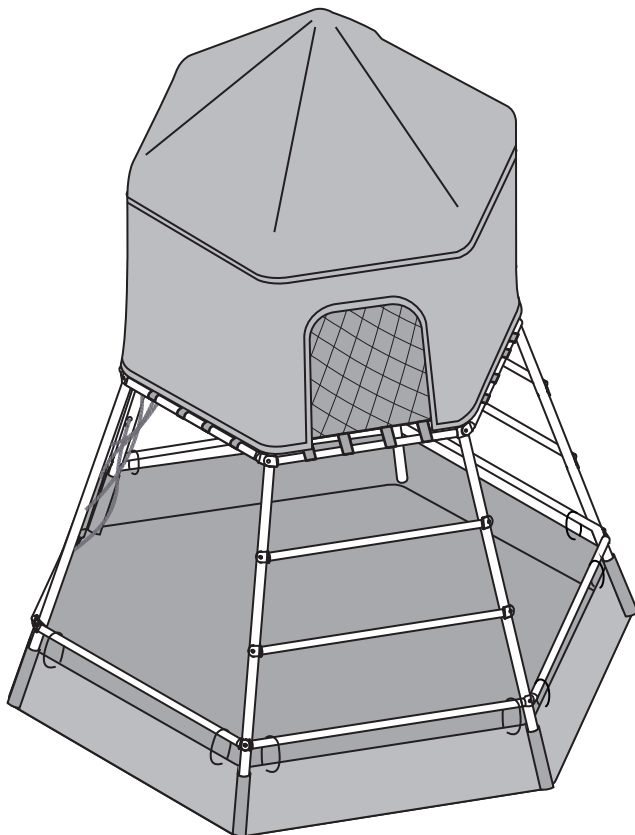


USER MANUAL



EXPLORER CLIMBING FRAME WITH PLAYMAT

Thanks for the purchase of this Explorer Climbing Frame with Playmat. Please retain this manual for future reference. To reduce the risk of personal injury or damage to the product, at least two adults are required to assemble it.



WARNING

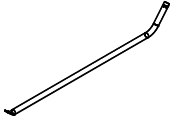
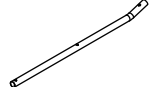
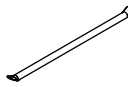

- TOY MUST BE ASSEMBLED BY ADULTS BEFORE USE.
- CHILDREN MUST NOT USE THIS PRODUCT UNTIL PROPERLY INSTALLED.
- THIS PRODUCT CONTAINS SMALL PARTS AND IS NOT SUITABLE FOR CHILDREN UNDER 36 MONTHS UNTIL FULLY ASSEMBLED.
- REMOVE ALL PACKAGING BEFORE GIVING TO YOUR CHILDREN.
- RETAIN PACKAGING FOR FUTURE REFERENCE.
- ONLY FOR DOMESTIC USE. FOR OUTDOOR USE ONLY.
- ADULT SUPERVISION REQUIRED.
- KEEP AWAY FROM FIRE.
- ANCHORS THAT ARE SUPPLIED WITH THIS PRODUCT MUST BE FITTED BEFORE USE.
- THIS PRODUCT IS INTENDED FOR USE BY CHILDREN FROM AGES 18 MONTHS +.
- MAXIMUM COMBINED USER WEIGHT: 100 KGS/220 LBS.

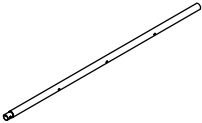
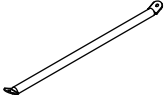
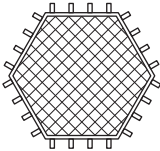
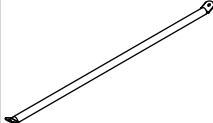
Read carefully the warnings and follow safety notices before assembly and use.

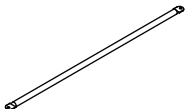
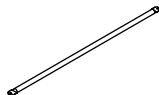
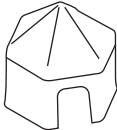
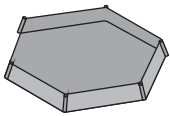
1. Toy must be assembled by adults before use exactly following the instructions.
2. Children must not use this product until properly installed.
3. Check all parts are present before you start to assemble the product. Place small parts on a tray or similar to ensure they are not lost. The manufacturing process can very occasionally result in sharp edges/waste material so please take care when assembling this product.
4. If any parts are missing do not use the product until the replacement parts are fitted.
5. Ensure your product is sited on level ground. Failure to do this may put additional stress on connections and joints and in time could cause them to fail.
6. Ensure your product is located on a soft impact surface like grass. Never locate your product on hard surfaces like concrete.
7. Anchors supplied with this product must be fitted before use.
8. In freezing weather, detachable plastic parts should be stored inside.
9. Avoid locating this product in full sun.
10. Remove all packaging before giving it to your children or allowing them to play with this product.
11. Equipment should be checked by an adult at the beginning of each season and at regular intervals during the usage season to ensure it is safe. Pay special attention to all connections and fastenings. If these checks are not carried out the activity toy could overturn or otherwise become a hazard.
12. Parts may need to be replaced if they show signs of wear and tear. Replace any defective parts following these instructions.
13. Any changes to this toy including changing or adding an accessory, must be done following our instructions. Failure to do this will render your guarantee null and void and may make your product unsafe.
14. Ensure children's clothing is appropriate for the play activity.
15. Never place toys near a fire.
16. Take care in wet weather. Toys can become slippery.
17. In high winds, ensure outdoor toys are moved to a sheltered position and/or securely staked down.
18. The age recommendation for this product is clearly stated on the packaging and in these instructions. Please adhere to it at all times. Adult supervision is required at all times to ensure children play safely.
19. When you dispose of this equipment please do so responsibly.





Part List



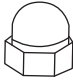
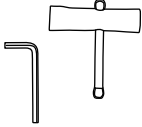
Make sure every part is included in the package before assembly.

A1		A2		A3		B1	
							
Top Bar	6	Enclosure Bar	6	Cross Bar for Enclosure Bar	10	Climbing Tube with Net	1

B2		C1		C2		D1	
							
Leg Tube	4	Cross Bar for Fabric Platform (2 holes)	6	Fabric Hexagonal Platform	1	Cross Bar for Leg Tube (2 holes)	6

E1		E2		F		G	
							
Long Climbing Tube	2	Short Climbing Tube	2	Tent	1	Fabric Playmat	1

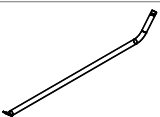
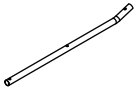
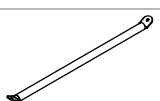



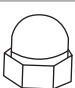
H1		H2		I		J	
							
Ground Stake	3	Cam Buckle Webbing	3	M8*45mm Hexagonal Bolt	20	M8*40mm Hexagonal Bolt	12

K		L		M		N	
							
M8*25mm Hexagonal Bolt	1	Washer	35	Nut	35	Tool	2

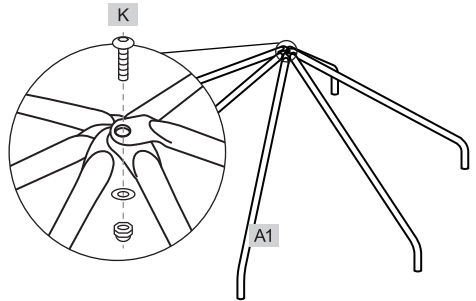
Assembly Instruction

TIPS: do not over-tighten the bolts initially to leave room for adjustment. You must finally check and fully tighten all bolts after the entire climbing set is assembled. Please assemble in order from top to bottom, or the assembly will be more difficult.

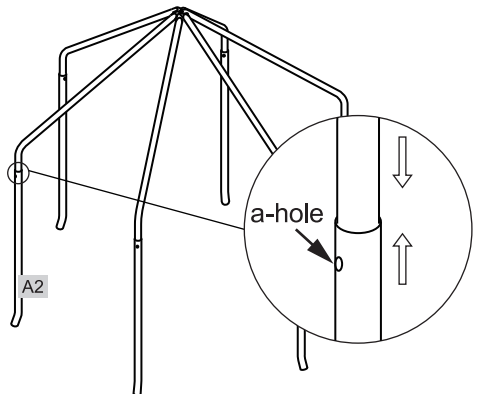
Step 1: Top Frame Assembly

No.	Picture	QTY
A1		6
A2		6
A3		6
K		1
J		6
L		7
M		7

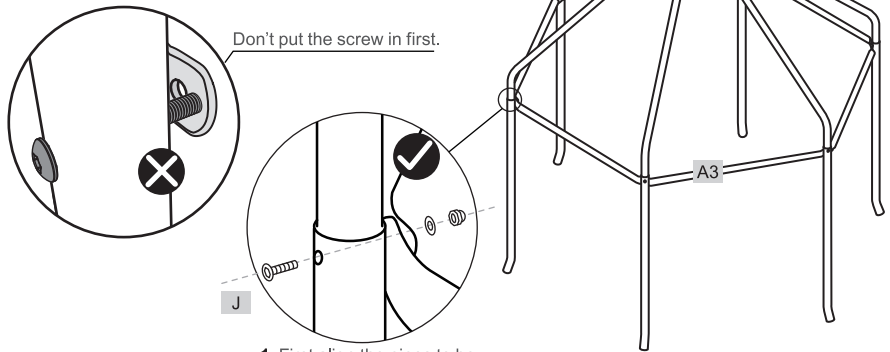
1. Align the top screw holes of 6pcs top bar A1, overlap them to form a hexagon, and then connect them with the hexagonal bolt K, a washer L and a nut M.



2. Connect each of the 6pcs enclosure bar A2 to the 6pcs A1, noting that the screw holes need to be aligned, marked as "a-hole".

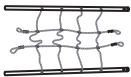
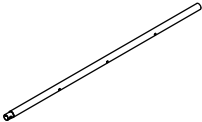


3. Connect 6pcs upper cross bar for enclosure bar A3 in turn to the adjacent a-hole and secure with the hexagonal bolt J, washer L and nut M.

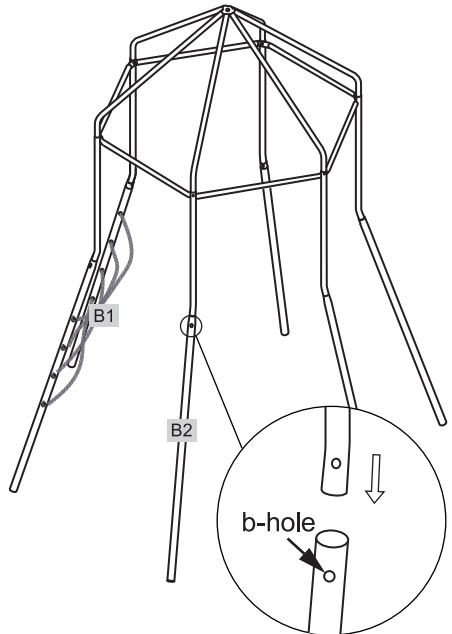


1. First align the pipes to be installed with the holes and fit them together.
2. Install screws and bolts


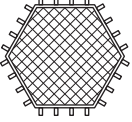

Step 2: Climbing Net Assembly

No.	Picture	QTY
B1		1
B2		4

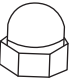
1. Connect the climbing tube with net B1 to any two adjacent A2, align the screw holes, marked as "b-hole".
2. Connect each of the 4pcs leg tube B2 to the other 4pcs A2, align the screw holes.

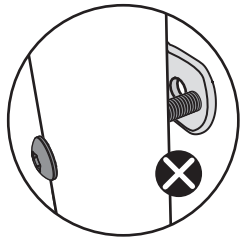


Step 3: Fabric Platform Assembly

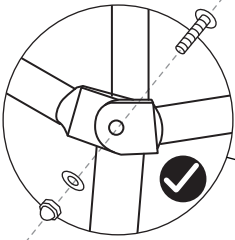
No.	Picture	QTY
C1		6
C2		1
I		6

L		6
---	---	---

M		6
---	---	---

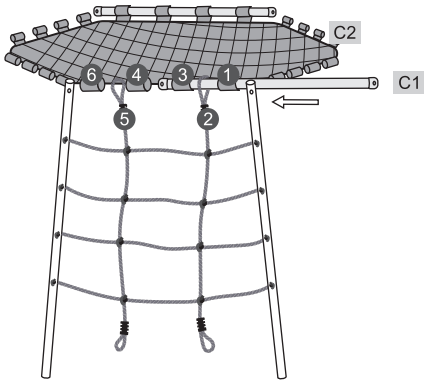


Don't put the screw in first.

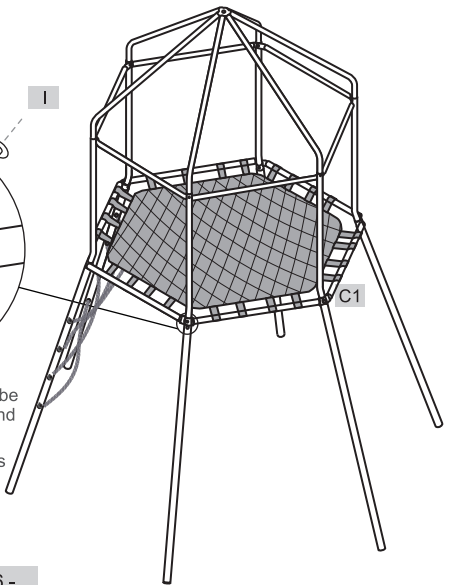


1. First align the pipes to be installed with the holes and fit them together.
2. Install screws and bolts

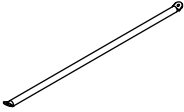


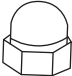
1. Cross the C1 bar through the webbing loop of the fabric hexagonal platform C2 and the knot of B1 in turn, and then align the holes of C1 to the b-hole on B1 surface.



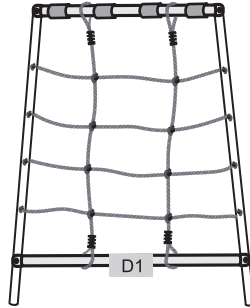
2. Pass the other 5pcs cross bar for fabric platform (2 holes) C1 through the webbing loops of C2 first, and then connect these C1 to the respective b-hole, securing C1 to B2 and A2 with the I, L and M.



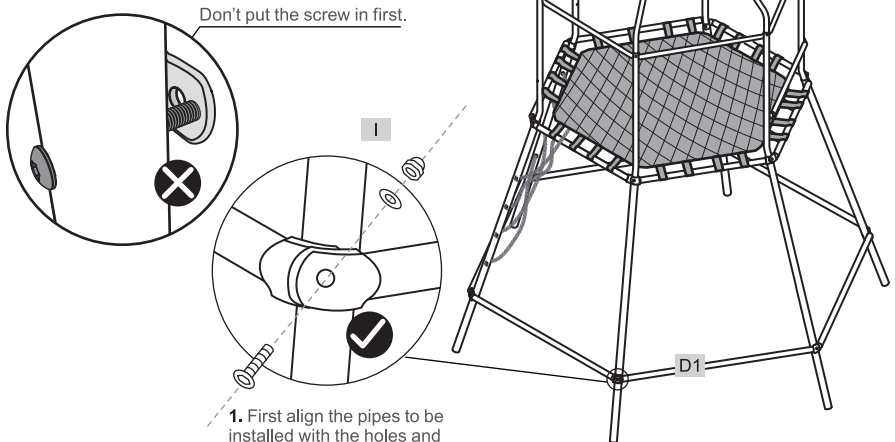
Step 4: Bottom Frame Assembly

No.	Picture	QTY
D1		6
I		6
L		6
M		6

1. Pass the cross bar for leg tube D1 through the knot of B1, then align the holes of D1 to the bottommost screw hole of B2.

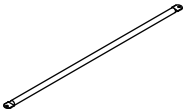
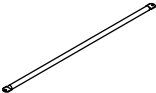
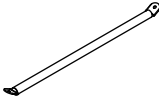



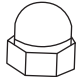


2. Align the other 5 pcs cross bar for leg tube (2 holes) D1 to B2 two by two respectively, and secure D1 to B2 with I, L and M.

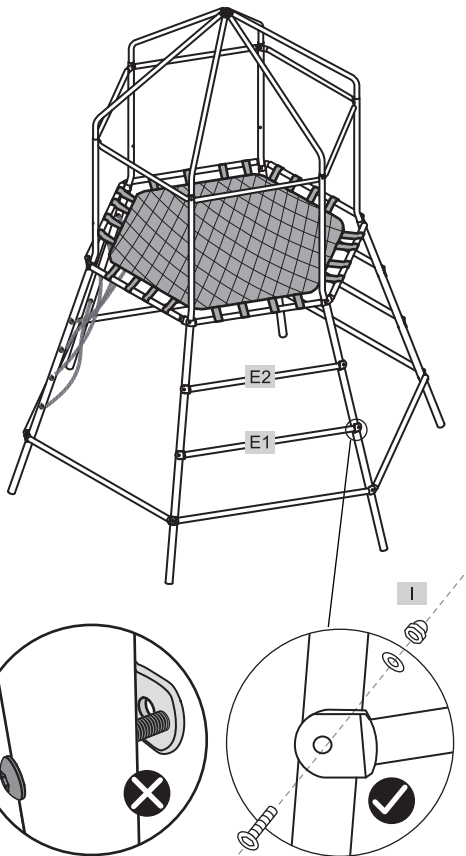


1. First align the pipes to be installed with the holes and fit them together.
2. Install screws and bolts

Step 5: Climbing Part Assembly

No.	Picture	QTY
E1		2
E2		2
A3		4
I		8
J		6
L		16
M		16

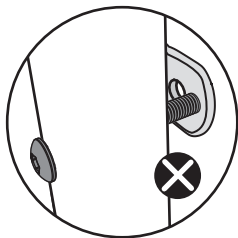
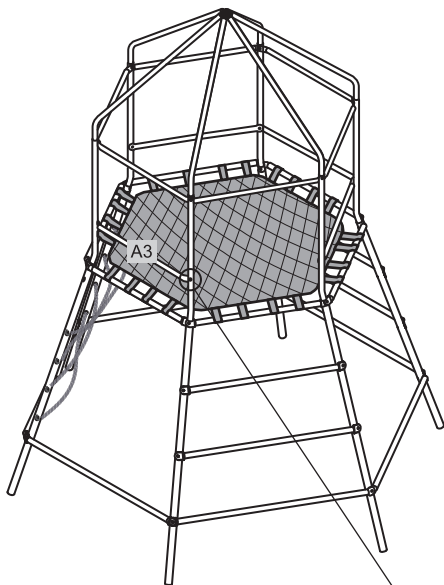
1. Take the surface with B1 as reference, assemble the climbing tube on its every other surface. Place the long climbing tube E1 below and the short climbing tube E2 above to form a climbing ladder, and secure them to B2 with I, L and M.



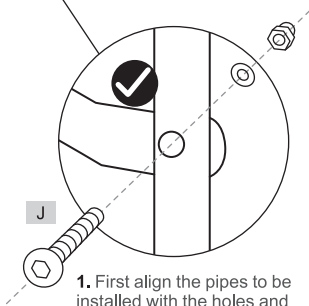
Don't put the screw in first.

1. First align the pipes to be installed with the holes and fit them together.
2. Install screws and bolts

2. Take the surface where C1 is located as the reference, and assemble the 4pcs A3 on its left, right and opposite surfaces respectively. Secure A3 to the middle hole of A2 with J, L and M.




Don't put the screw in first.

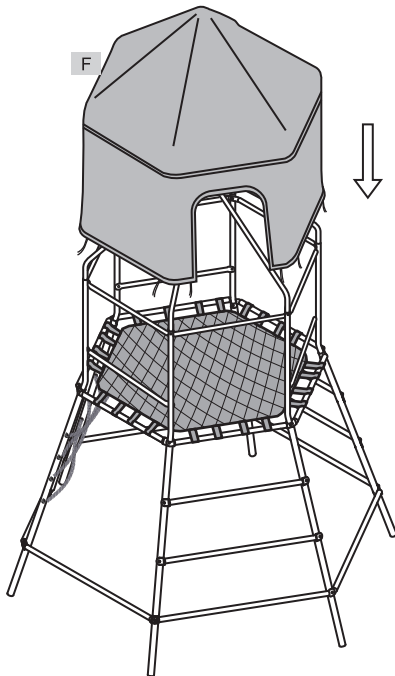


1. First align the pipes to be installed with the holes and fit them together.
2. Install screws and bolts

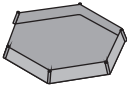
Step 6: Tent Assembly

No.	Picture	QTY
F		1

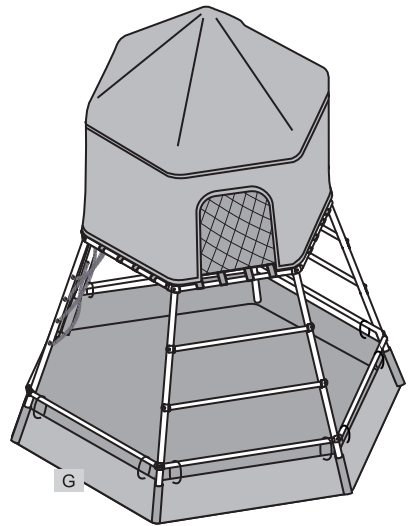
Cover the tent F from the top and tie its straps to the top point, A3 and C1 respectively.



Step 7: Fabric Playmat Assembly



No.	Picture	QTY
G		1

Lightly lift the B2s and B1 and insert them into the sleeve of the fabric playmat G. Tie the strap of G to D1.

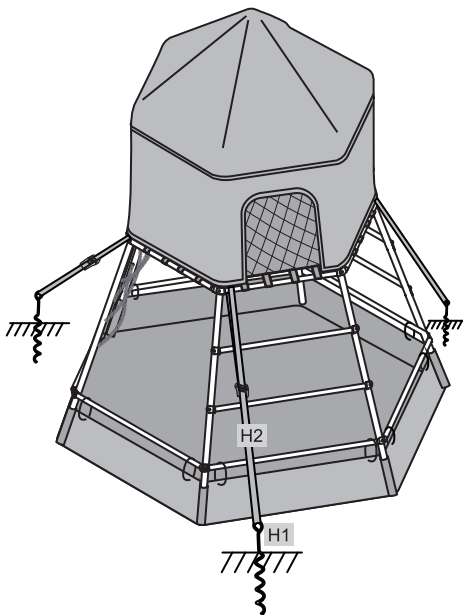


Step 8: Fixed with the Ground Stake

NOTE: Proceed with this step after confirming the place of installation to avoid the need to move the entire climbing frame. Fixed with ground stakes to avoid the risk of the climbing frame being blown over by the wind.

No.	Picture	QTY
H1		3
H2		3

Take a cam buckle webbing H2 arbitrarily, pull its one end to the corner of C1, and connect its other end to the ground stake H1. Repeat this step for the rest of H2 and H1 to form a stable triangle.



Final Check

Assembly has been completed, please check again whether the whole climbing frame is in a steady-state according to the above steps, and tighten all screws in case of accidents before using.