

Thank you for selecting our product for your home. We hope that you are completely satisfied with your purchase. Please read below instructions carefully before installing new faucet.

Single Handle Kitchen Faucet With Spring Spout Model Number: KF-5988-XXX/KF-5928-XX

Finish:

CP	SS	ORB	MT	PB	BR	RV	JB	LB	CS
----	----	-----	----	----	----	----	----	----	----

Features:

- Metal lever handle
- With pull-out shower head & spray
- Single-hole installation options
- Drip-free Ceramic cartridge
- Solid brass waterway
- 1.8 gallons (6.8 L) per minute maximum flow rate at 60 psi (4.1 bar)

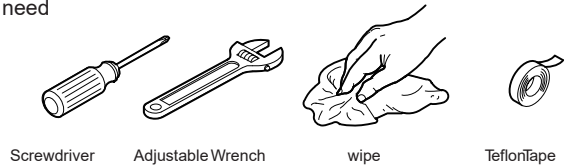
Care & Maintenance:

- * To keep the product clean & shining, follow the steps below:
 1. Rinse with clean water & dry with a soft cloth.
 2. Do not clean with soaps, acid, polish, abrasives, or harsh cleaners.
 3. Do not use cloth with a coarse surface.
 4. Unscrew the aerator and clean when necessary.
- * This installation manual is subject to change without further notice.
- * Please read your care and maintenance documentation to determine the limits of proper use.
- * This product has been manufactured and tested to the highest quality standards. We offer our customers thoughtfully crafted fixtures & accessories, engineered for enduring performance over years of use.

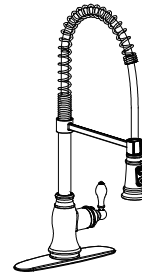
Prior to Installation:

- Make sure you have all necessary parts by checking the diagram and parts list. If any part is missing or damaged, please contact our customer service by email at service@derengge.com.
- Turn off the hot and cold water supply at the angle stops and turn on the old faucet to release any built up pressure. Remove existing faucet. Clean sink or countertop to remove any debris, plumber's putty, or silicone.
- Place bucket under angle stops. Turn on to flush any debris prior to installing new plumbing. Shut off angle stops.
- Pre-drilled hole size requirement: 1-3/8" (min) – 1-1/2" (max)
- Max countertop thickness without deck plate: 1-1/2"
- Max countertop thickness with deck plate: 1"

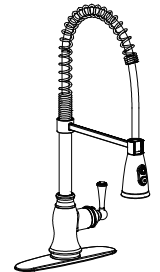
Tools you will need



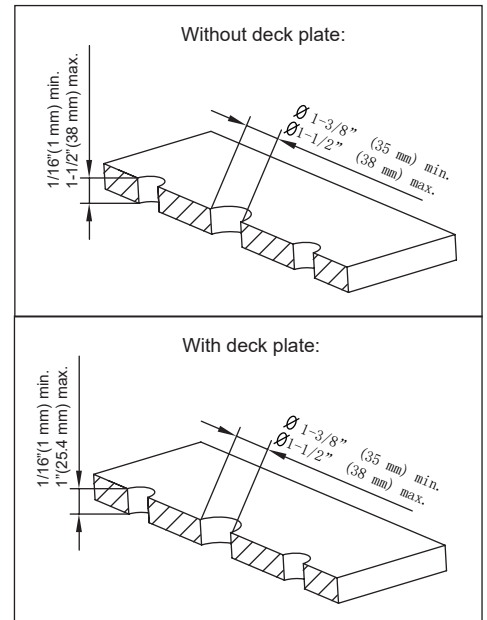
Screwdriver Adjustable Wrench wipe TeflonTape



KF-5988-XX



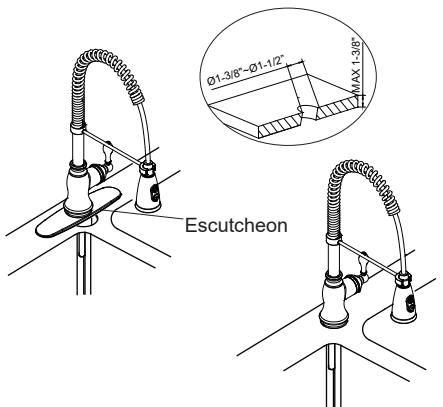
KF-5928-XX



Faucet Installation:

1 Place Escutcheon on bottom of new faucet (Optional). Position Faucet through mounting hole.

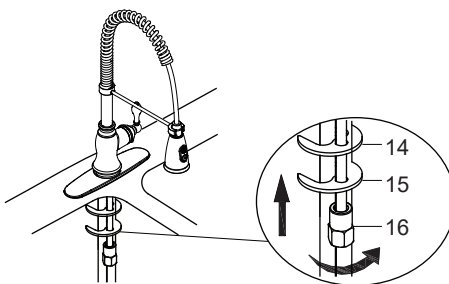
Pre-drilled hole size requirements:
Faucet: $\varnothing 1-3/8''$ (min) – $\varnothing 1-1/2''$ (max)



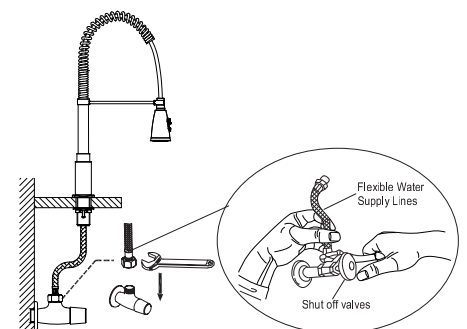
A: Three Hole installation

B: Single Hole installation

2 Screw the mounting stud into the body. Secure the faucet to sink by installing rubber washer (14), steel washer (15) and nut (16) onto it. Tighten with wrench.

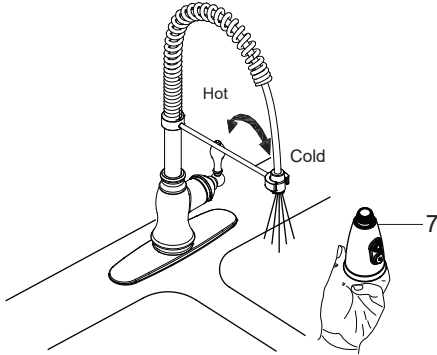


3 Connect the hot & cold water lines to the angle stops. Tighten with a wrench until snug. Turn on the hot & cold angle stops. Apply Teflon tape to threads on faucet shank and shut off valves, connect water supply line.



Faucet Installation:

4 Remove the spray head (7) from the spray hose. Hold the tip of the spray hose. Turn the faucet on and let the water run for 60 seconds to flush any debris. Screw the spray head (7) to the spray hose until snug. While water is running, check for leaks. Re-tighten if necessary, but do not overtighten.



5 Turn the faucet on. Press the button to check if the spray head (7) switches modes properly.

Press Spray water



Press Foaming water



Trouble-Shooting:

If you have followed the instructions carefully and your faucet still does not work properly, take the following corrective steps:

PROBLEM	CAUSE	ACTION
Leaking from faucet handle.	Locking nut may have come loose, or cartridge may need to be reset.	Remove cover button. Loosen set screw with 2.5 mm hex wrench. Remove handle. Unscrew cartridge cover by hand. Tighten locking nut with an adjustable wrench.
Water does not shut off completely.	Cartridge may need to be adjusted or replaced.	Remove cover button. Loosen set screw with 2.5 mm hex wrench. Remove handle. Unscrew cartridge cover by hand. Unscrew locking nut with an adjustable wrench. Remove cartridge. Check for cracks, and if O-ring is seated correctly. Reseat cartridge.
Leaking between spray head and hose.	Spray head may be loose or washer may not be seated correctly in the hose connection.	Tighten spray head by hand until snug. Make sure washer is seated correctly.
Water does not shut off completely	Check valve connector may be clogged with debris	Loosen set screw. Remove spray hose & spring. Unscrew check valve connector located at bottom of spray hose & spring. Soak in 50/50 solution of warm water and vinegar for 5 minutes. Reinstall check valve connector and spray hose & spring.

Exploded Drawing
RP (Replacement Parts)

1	Button
2	Screw
3	Handle
4	Cap
5	Bonnet
6	Cartridge
7	Spray
8	Spout assembly
9	Body Assembly
10	Hose
11	Escutcheon
12	Base plate
13	long bolt
14	Rubber washer
15	Metal washer
16	Mounting nut

