



15 : 00

estimated assembly



2 or more

people required

Ok, let's
get started!



- Put on mood music!
- To prevent damage to product, use the clean side of package carton or rug as working surface
- In the event of missing or damaged parts, delivery problems etc., please reach out to our team.
We will be happy to fix the problem!

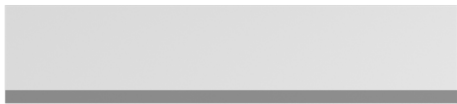
care guide

- Clean regularly with a soft and dry cloth.
- To protect finish, avoid use of abrasive cleaners.
- Wipe up spills immediately. Please!

ⓘ **While assembling the product, tighten the bolts up to 50%. Once all parts are in place, only then fully tighten the bolts.**



product parts



A
Shelf
x4



D
Cabinet Shelf
x1



B1
Frame
x1

B2
Frame
x1



C
Base
x1

what's included



(E)- Allen key
(3mmx110mm)
x1



(F) -Bolt
(M5x08mm)
x16



(G) -Bolt
(M5x08mm)
x8



(H) - Bumpons
x4

assembly instructions

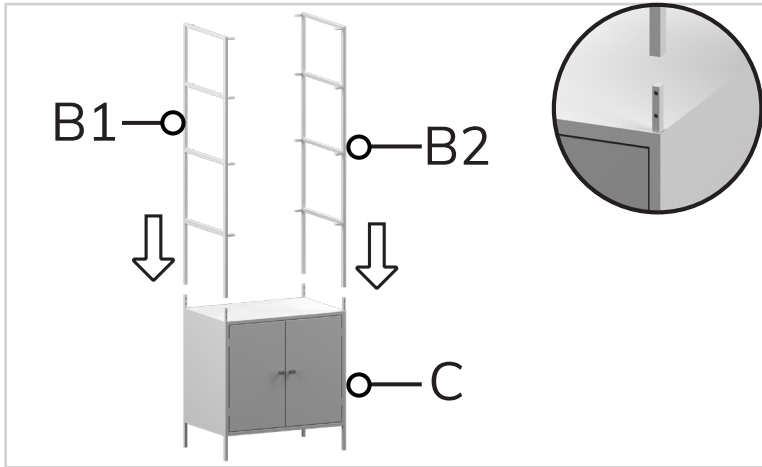
Friendly Tip: Take a deep breath going in. This may be a tricky part, but nothing too overwhelming. Just follow these steps to the T and the outcome will be worth it!



- ⓘ While assembling the product, tighten the bolts up to 50%. Once all parts are in place, only then fully tighten the bolts.

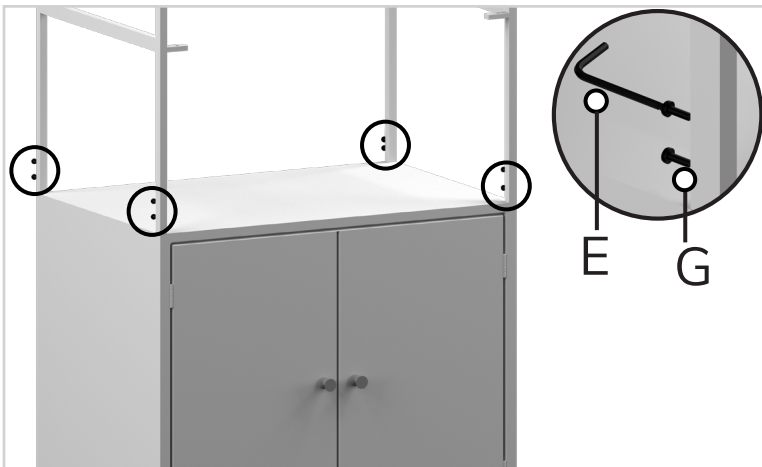
step 1:

Start by placing the frames (B1, B2) over the tenons given on the shelf base (C). Take this image as a reference.



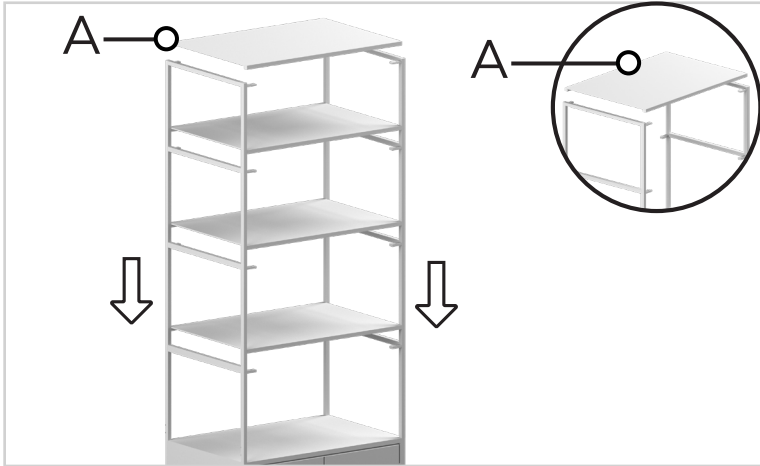
step 2:

Next, Insert bolts (G) on the slots given on the frames (B1, B2) and tighten them up to 50% using allen key (E).



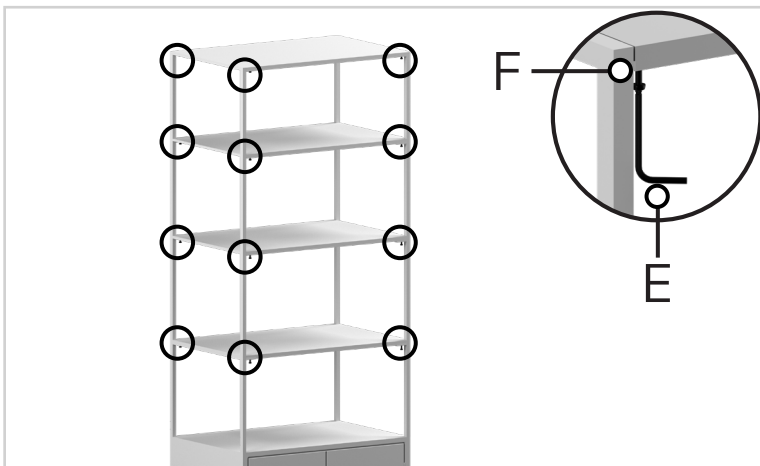
step 3:

Simple enough? Now, place the shelves (A) over the slots given on the frames. Take the image below as reference.



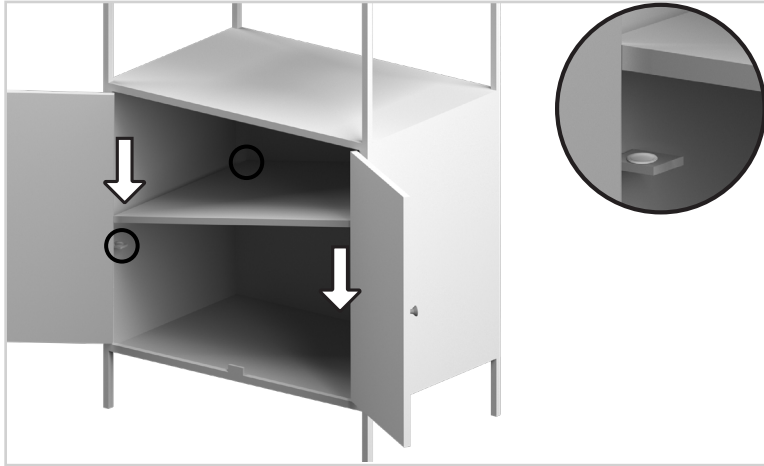
step 4:

Once all the shelves are aligned with the slots on frame, secure them using bolts (F). Now, tighten all points using allen key (E).



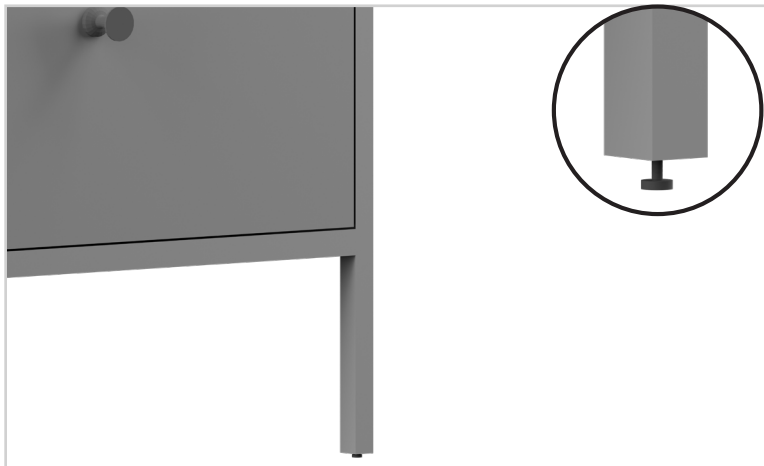
step 5:

Now, stick the bumpons (H) over the slots inside the shelf base (C) and place the cabinet shelf (D) over it. Make sure it is fixed in place.



step 6:

Now, if required, adjust the leveller according to the floor.



Voila! Your Bookcases is now assembled and secure!

you've
got
a home
with us

