

Semi Flush Mount Ceiling Lighting Fixture

Flush Mount Ceiling Light User Manual



CAUTION

• Warning: Cut off electric before installation to avoid electric shock.

Tools required



Disconnect the power supply before installation

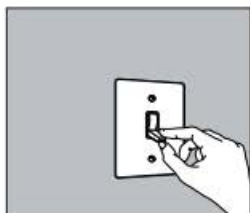


FIG.1.

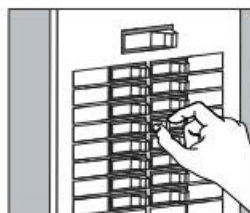


FIG.2.

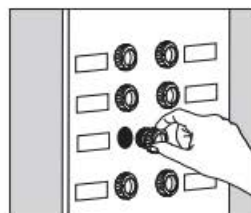


FIG.3.

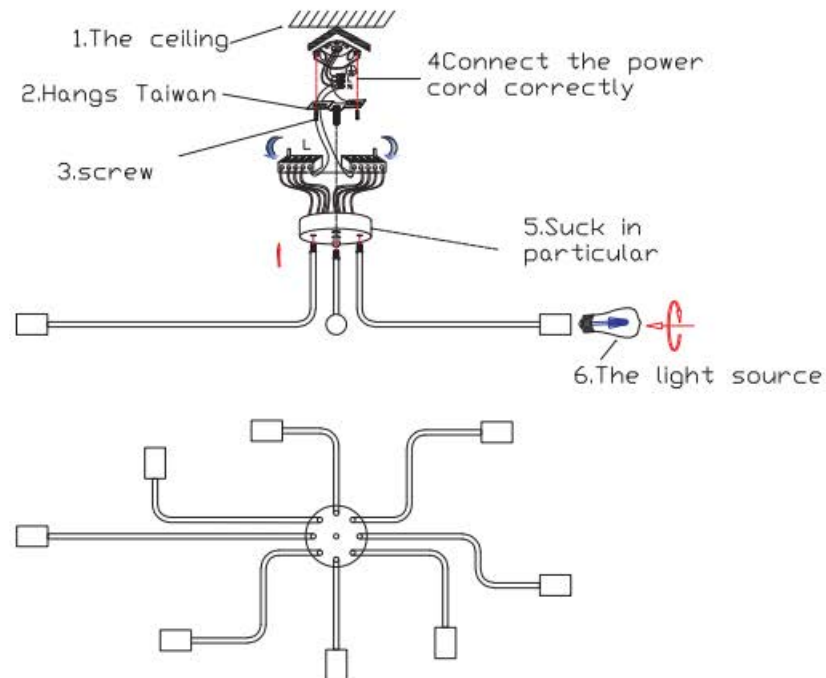
FIG. 1.
Place the wall switch to the "OFF" position Depending on which type of fuse box you have in your home.

FIG. 2.
Place either the main (Master) switch to the "OFF" position, cutting off power to your entire home OR turn off the individual switch that provides power to where the fixture will be installed.

OR

FIG. 3.
Place either the main (Master) switch to the "OFF" position, cutting off power to the entire home OR unscrew the fuse that provides power to where the fixture will be installed.

Installation steps



Fit for many types of bulbs

