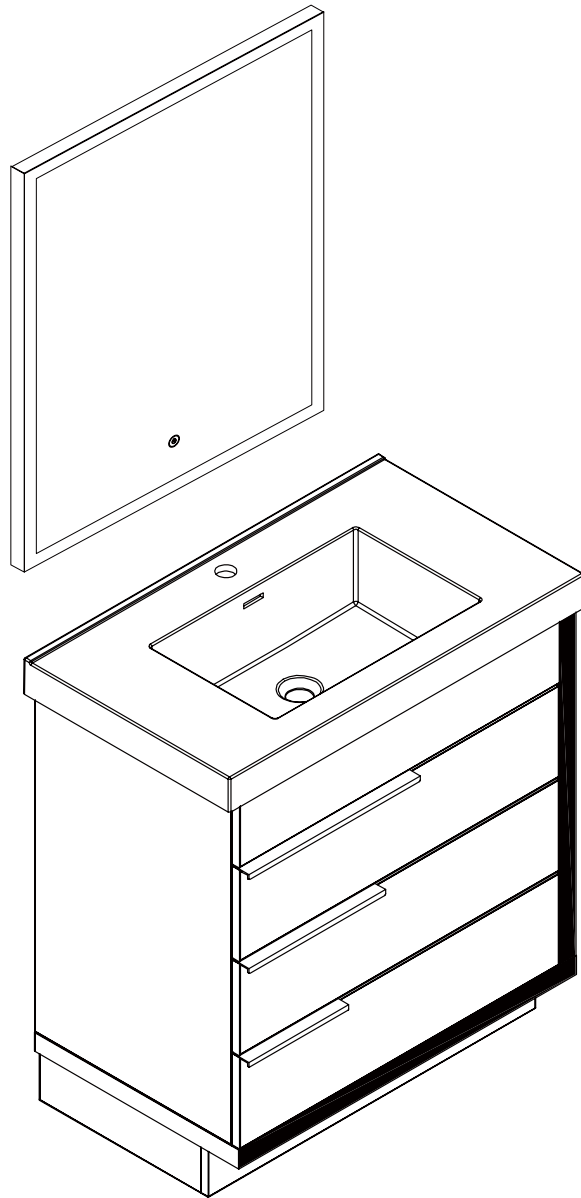


Bathroom Cabinet

INSTALLATION GUIDE



INSTALLATION INSTRUCTIONS

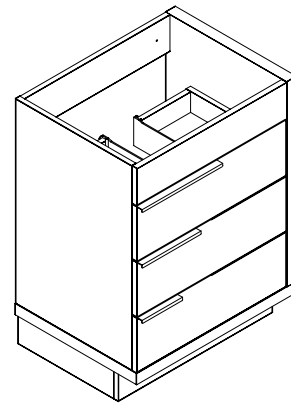
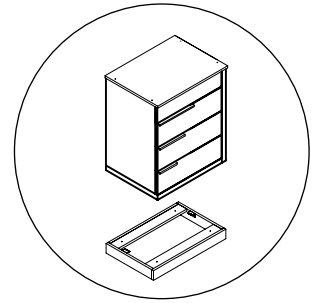
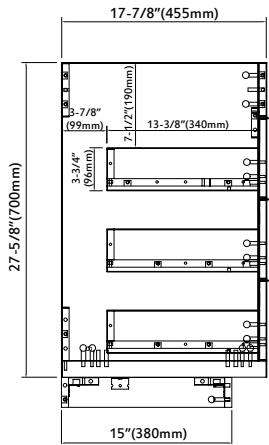
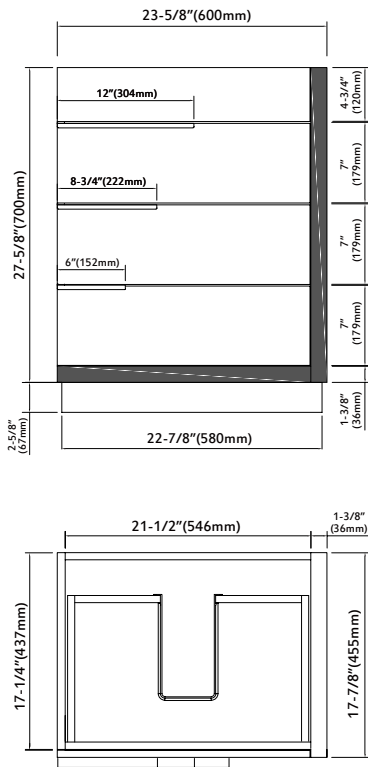
1. INSTALLATION IS AN ACCEPTANCE OF QUALITY
2. ANY MODIFICATION OR ADAPTION TO THIS PRODUCT WILL INVALIDATE THE GUARANTEE FOR ALL REASONS, OTHER THAN A GENUINE MANUFACTURING FAULT WHICH HAS NOT BEEN CAUSED BY THE MODIFICATION OR ADAPTION
3. THIS PRODUCT IS SUPPLIED WITH FIXINGS SUITABLE FOR SOLID WALLS ONLY. IT IS THE CUSTOMER'S RESPONSIBILITY TO ENSURE THAT THE FIXINGS USED ARE SUITABLE FOR THE WALL THAT THE PRODUCT IS BEING FITTED TO, AND THAT THE WALL IS CAPABLE OF SUPPORTING THE PRODUCT'S TOTAL WEIGHT (SEE PACKAGING FOR GROSS WEIGHT)

Product care advice

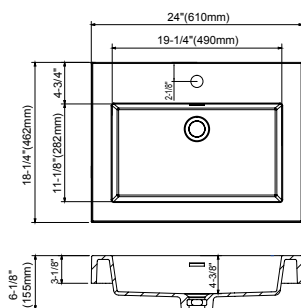
2. Weekly cleaning of the unit is recommended with a clean soft cloth and warm water. Take care not to soak the unit when cleaning - the cloth should only be damp. To clean the basin - use soap or mild detergent - do not use strong acid / alkali cleaners. DO NOT USE ABRASIVE LIQUIDS OR ABRASIVE CLEANING PASTES TO CLEAN THE UNIT OR BASIN, AS THIS WILL SCRATCH THE SURFACE AND CAUSE THE PRODUCT SURFACE QUALITY TO DETERIORATE!
3. After use (and cleaning), be sure to dry the unit with a soft dry cloth - take care to avoid leaving excess water on any part of the unit. Pools of water left on the unit over time can cause surface discoloration and / or water ingress.
4. Do not directly expose the unit or basin to water temperatures of more than 60°C.
5. Try to avoid installing the unit where it may be subjected to long periods of direct sunlight, as prolonged UV exposure may cause surface discoloration.
6. Do not use 'super-glues' to fix any parts together during installation - only use the dedicated silicone sealant where advised to do so.

Bathroom Cabinet INSTALLATION GUIDE

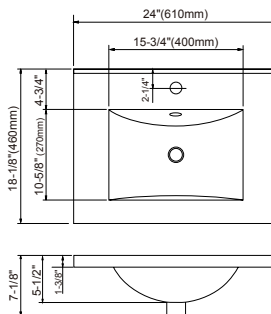
24" Vanity Drawing



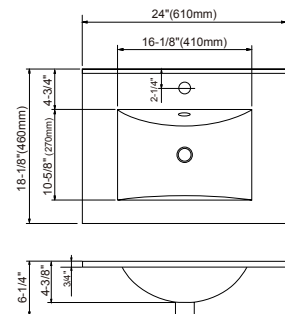
Basin Options



000 2418BP & 000 2418BP-BL



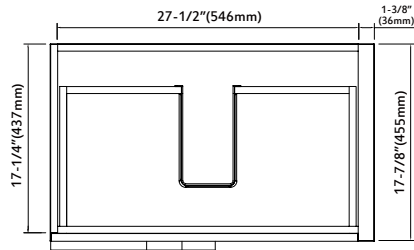
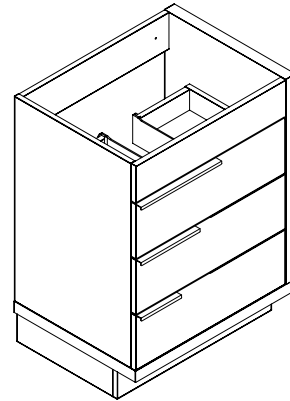
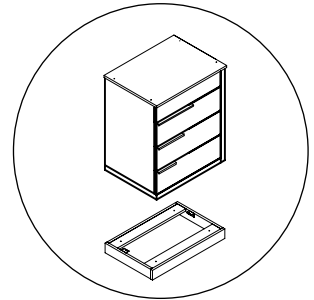
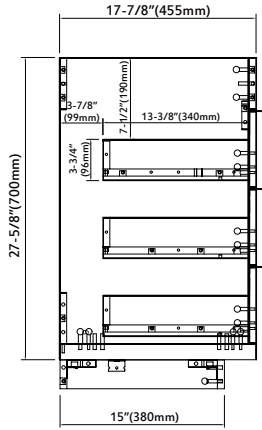
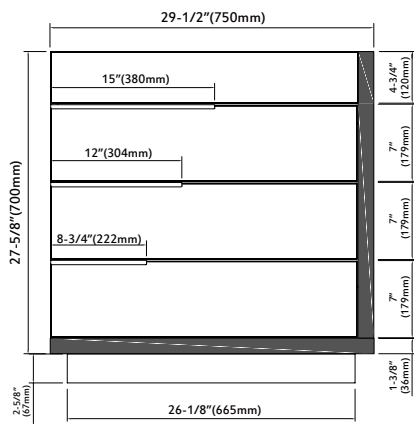
000 2418BT



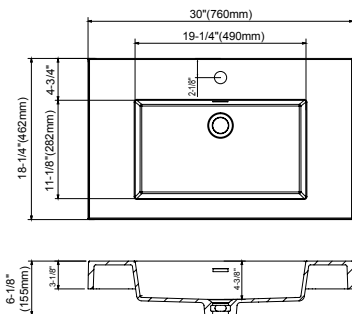
000 2418B

Bathroom Cabinet INSTALLATION GUIDE

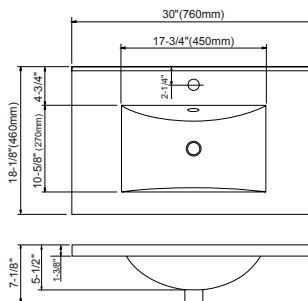
30" Vanity Drawing



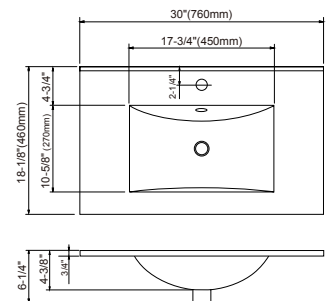
Basin Options



000 3018BP & 000 3018BP-BL



000 3018BT



000 2418B

Bathroom Cabinet INSTALLATION GUIDE

Tools Required



Screwdriver



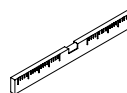
Soft Hammer



Electric drill



Pencil



Level




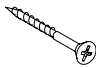


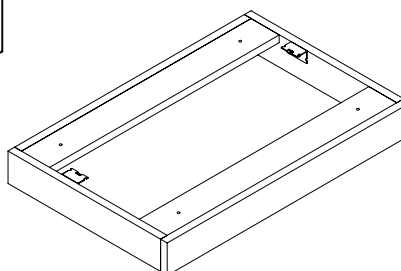
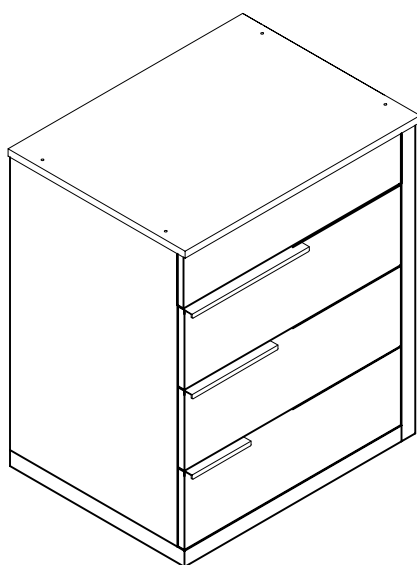
Tape measure



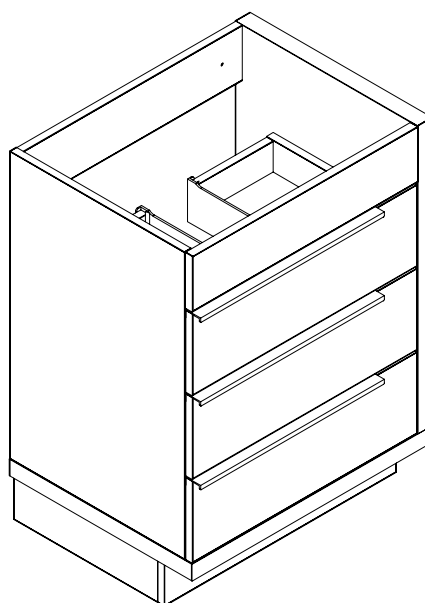
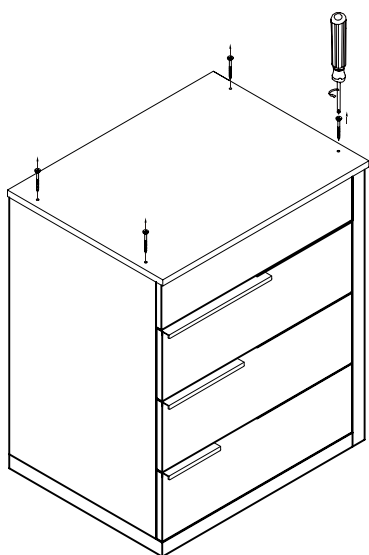
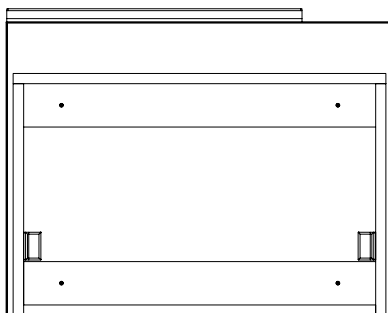
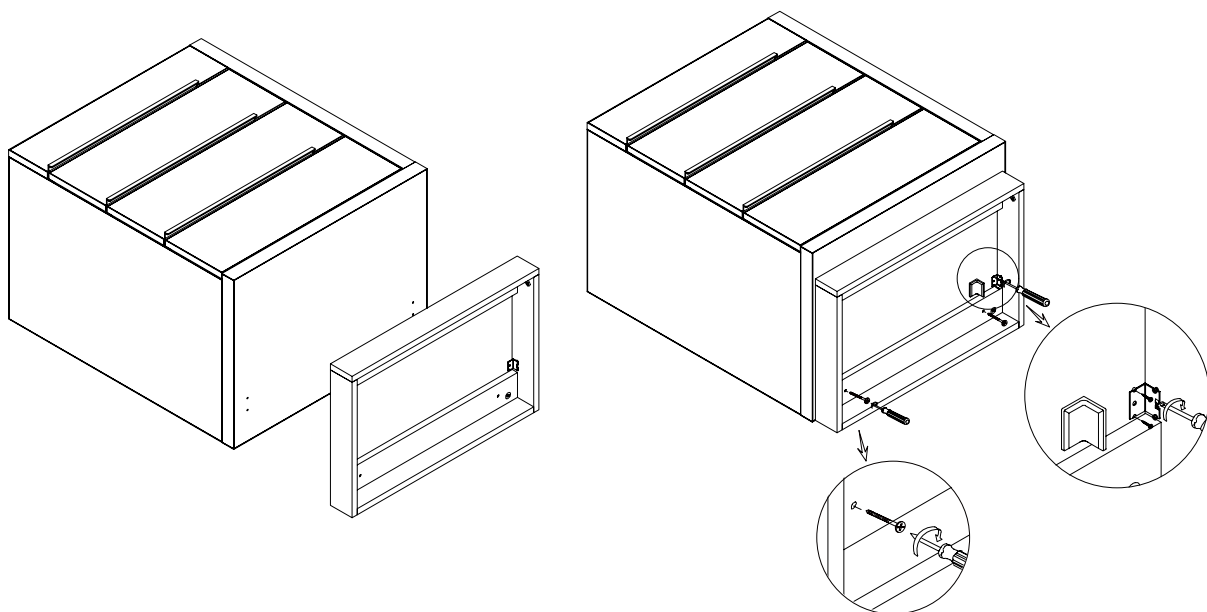
Glue gun

Box Contents:

[a]  X24	[b]   X3
[c]  X4	



Bathroom Cabinet INSTALLATION GUIDE



Bathroom Cabinet INSTALLATION GUIDE

