
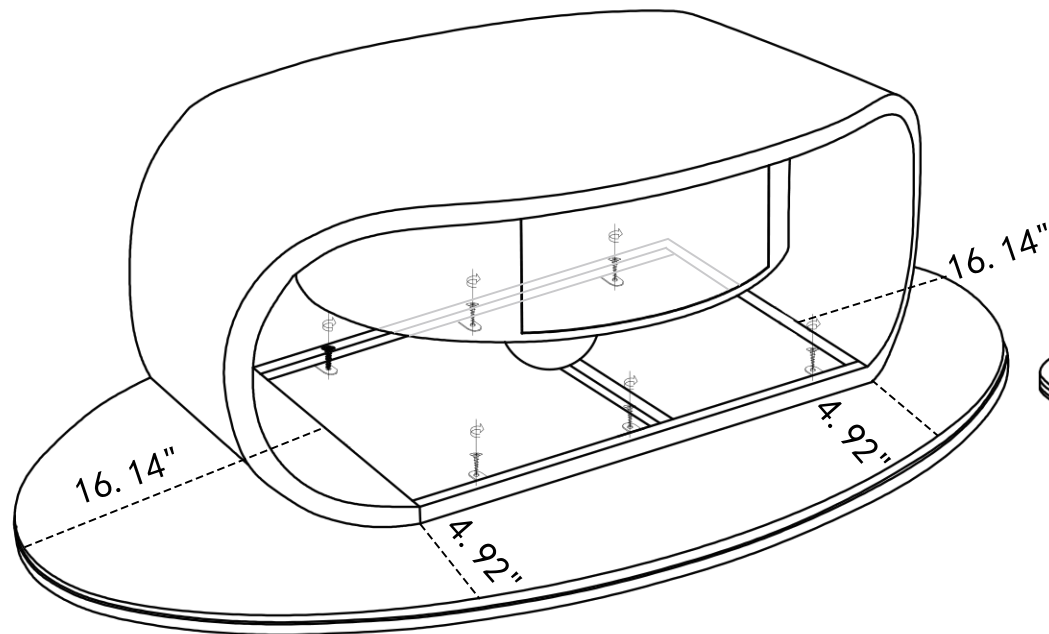


Installation & assembly

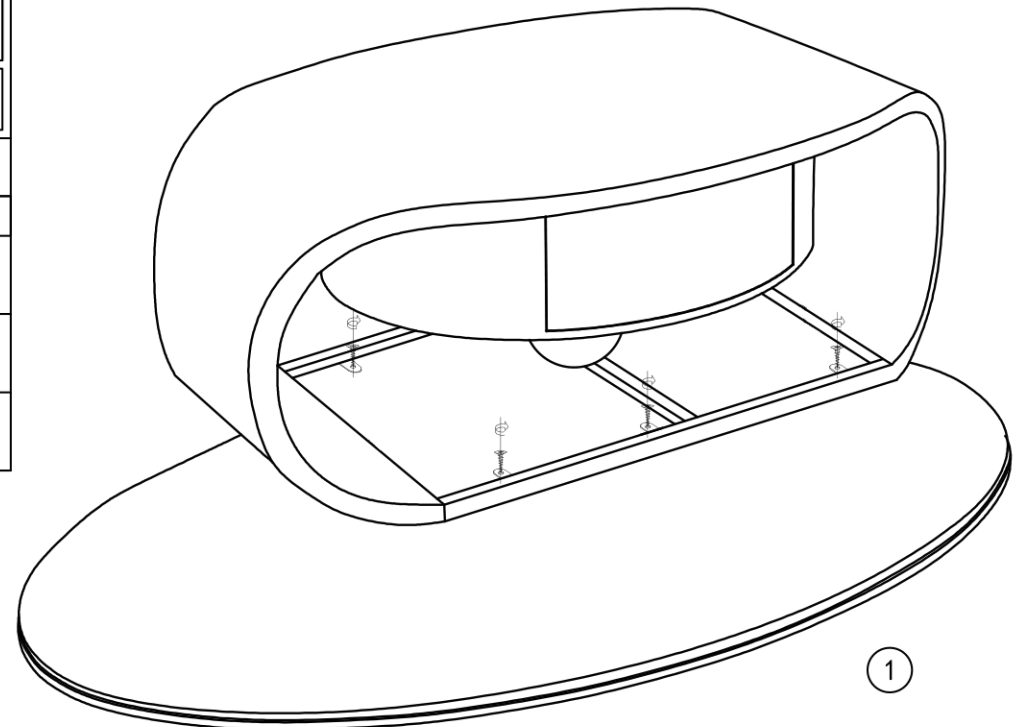
Product Name

Hardware Pack

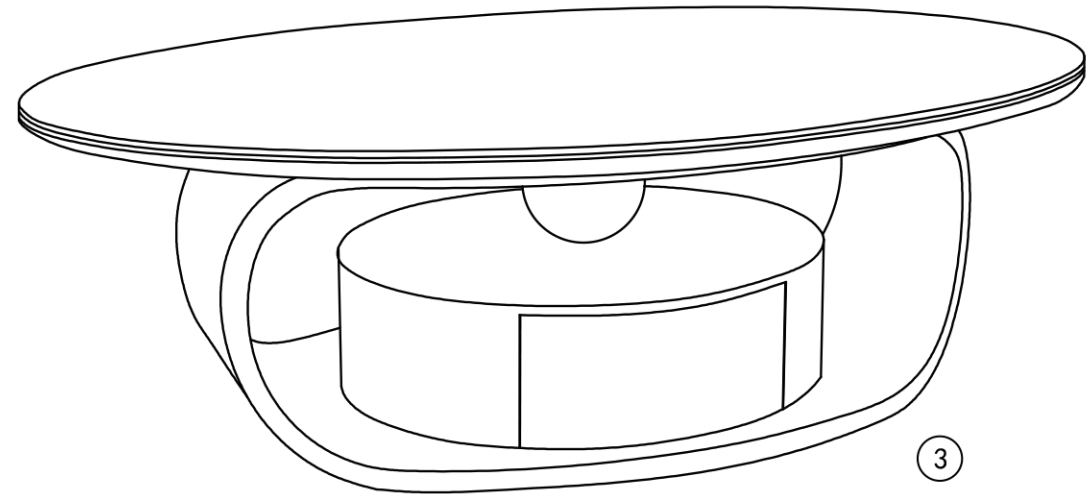
Name	Shape	QTY	Name	Shape	QTY
M5*25 Guide screw		6			



②



①



③

① countertop x1, table base x1

② Flip the tabletop over then place the base of the product upside down on top. Using the dimensions from the instruction manual to locate the correct alignment position. Once aligned, use an electric screwdriver to drive in the self-tapping screws. (Note: The tabletop does not have pre-drilled screw holes.)

③ Set the table upright, completing the installation