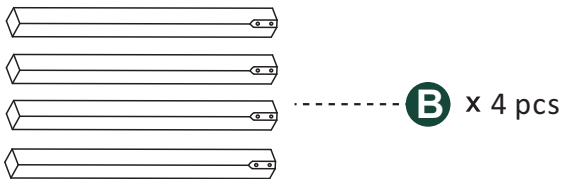
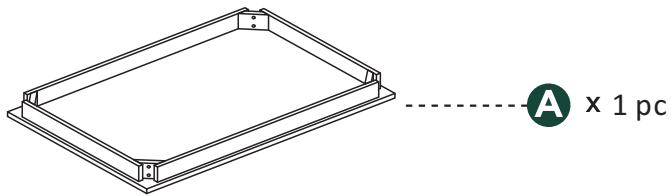


Revision Number: 01

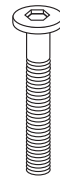
T-5893 TABLE

E1670252, E1670259
E1670266, E1670273

Components



Hardware



J
M6X70
8 pcs



O
M8
8 pcs



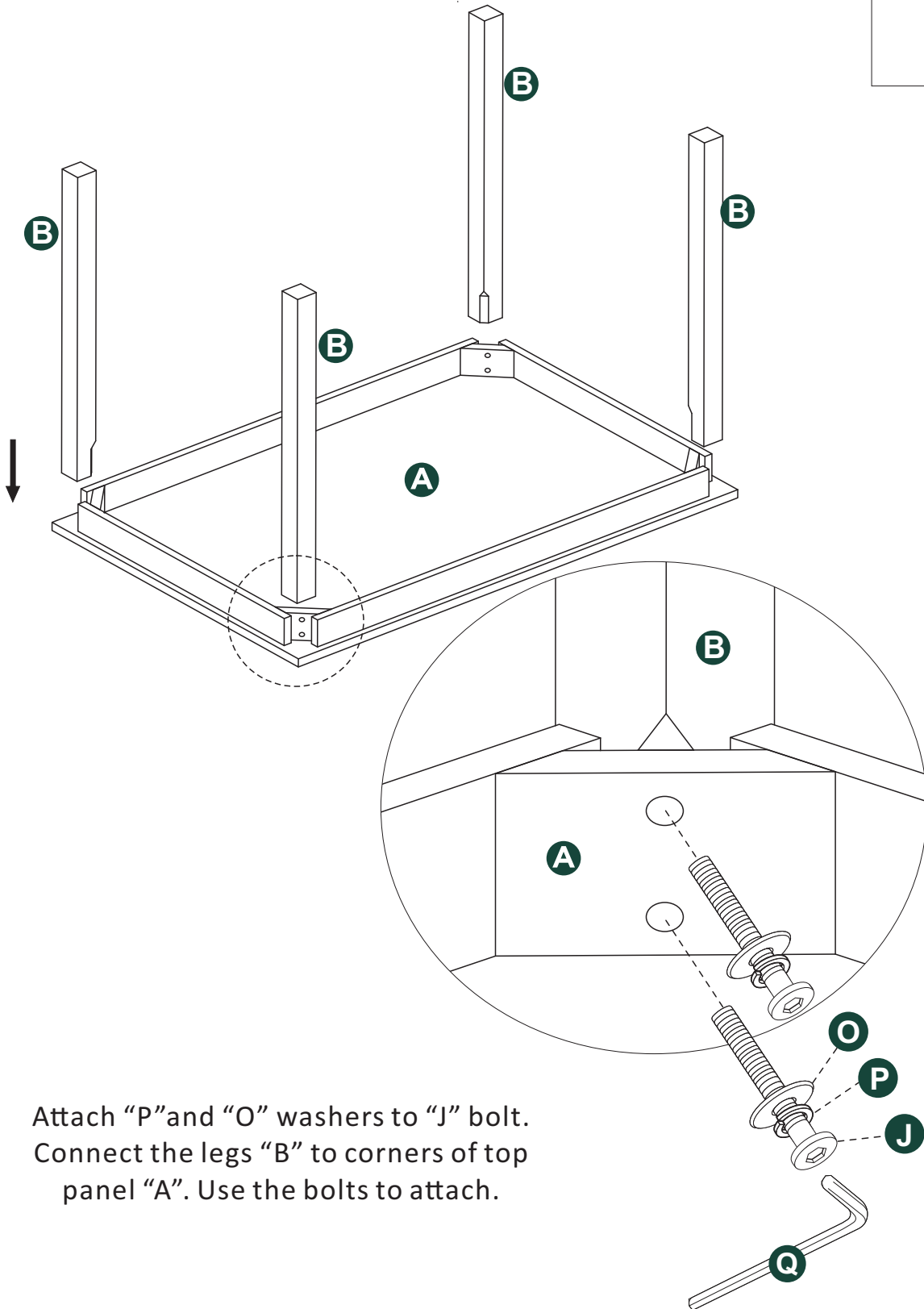
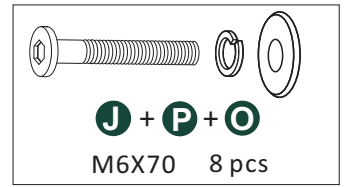
P
M8
8 pcs



Q
M4
1 pc

CAUTION: When placing furniture on non-carpeted flooring, we recommend the use of floor protection such as an area rug or furniture pads. Area rugs and padding not included with purchase.

1



Attach "P" and "O" washers to "J" bolt.
Connect the legs "B" to corners of top
panel "A". Use the bolts to attach.

You're all finished!