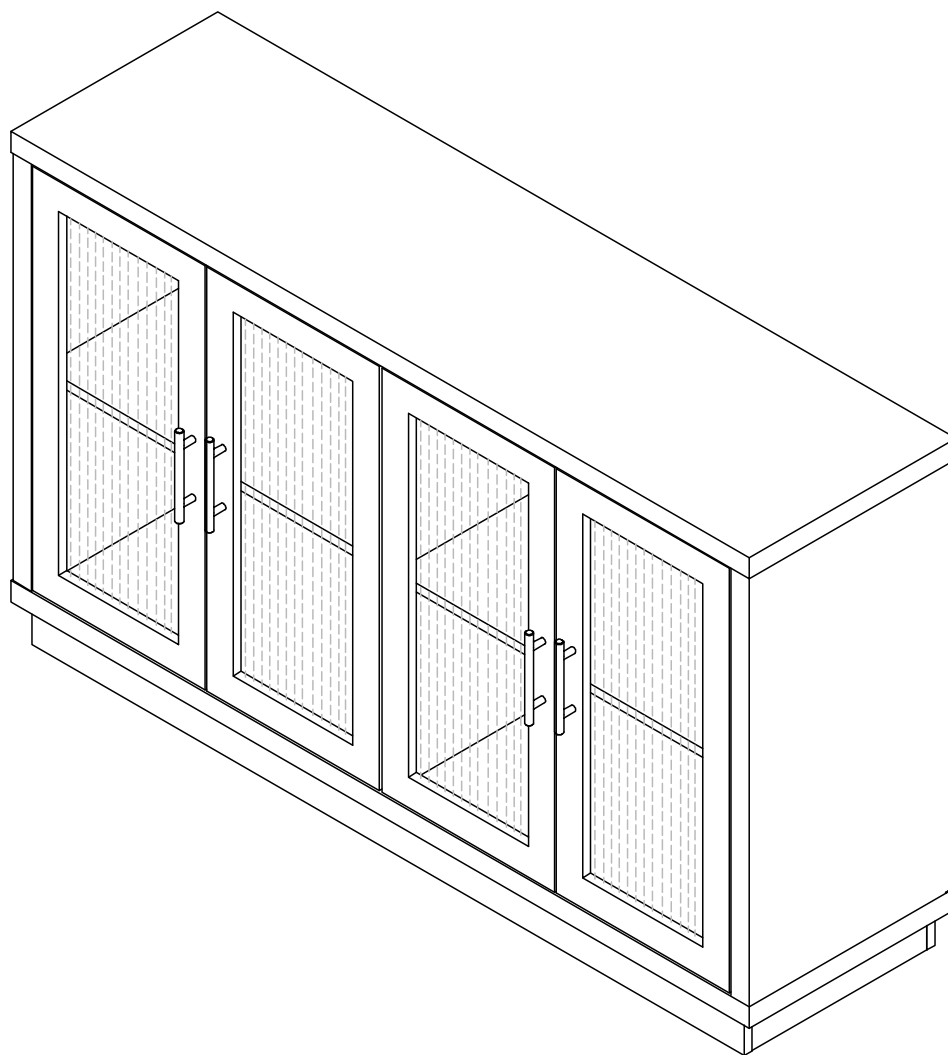


Cabinet > Manual



Thank you for purchase on our products. Please contact us if you have difficulty with assembly or need replacement parts. Our customer service is here to assist you. Please attach your User Name or Order ID so that we can assist you better.

Vielen Dank für Ihren Kauf von uns Produkten. Bitte kontaktieren Sie uns, wenn Sie Probleme mit Montage haben oder Ersatzteile benötigen. Wir Kundenservice ist für Sie da. Bitte geben Sie Ihren Benutzernamen oder Ihre Bestellnummer an, damit wir Sie besser unterstützen können.

EN

WARNING

Serious or fatal injury may occur from unexpected assembly or use.

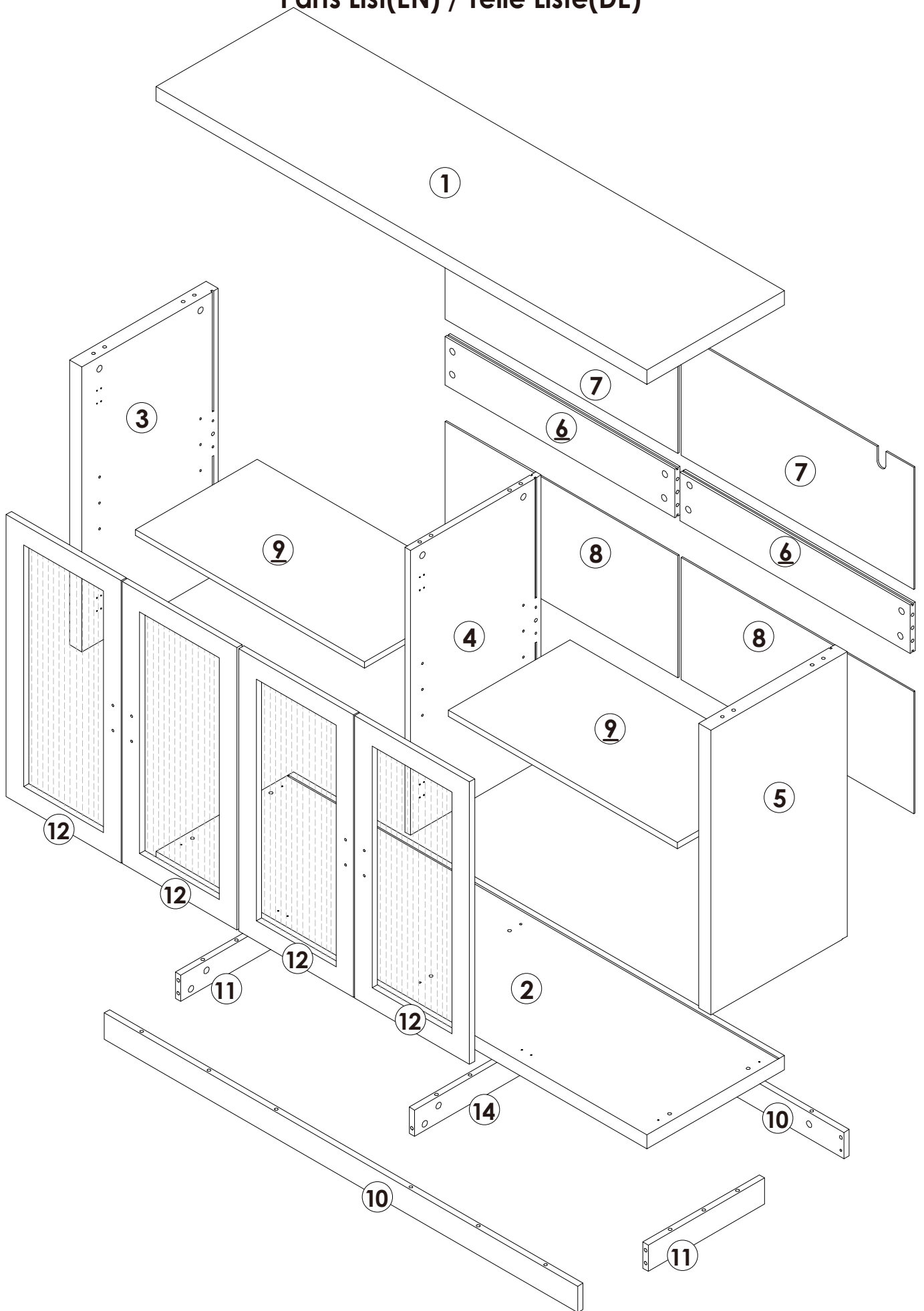
1. During the assembly process, keep all parts away from babies or children.
2. Always securely fix this product to the wall. Make sure the wall area to be drilled is free from hidden electrical wires, water and gas pipes.
3. Use of tip-over restraints may only reduce, but not eliminate the risk of tip-over.
4. Unless specially designed to accommodate, do not set heavy objects on top of this product.
5. Place the heaviest items on the lowest shelf.
6. Never allow children to climb or bang on drawers, doors or shelves.

WARNUNG

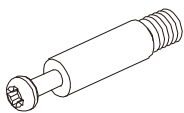
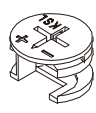


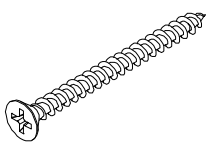
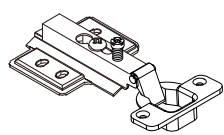
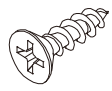
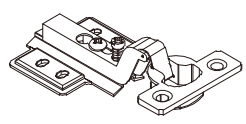
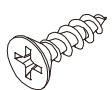
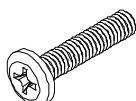
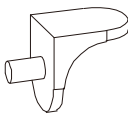

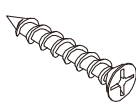
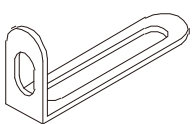

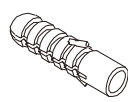
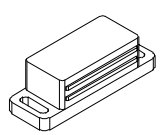
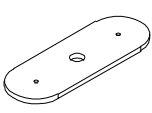
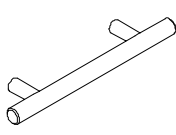
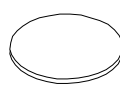
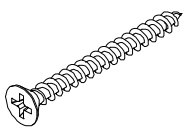
Bei unerwarteter Montage oder Verwendung können schwere oder tödliche Verletzung auftreten.

1. Legen Sie in den Montageprozess alle Teile weg von Babys oder Kindern.
2. Stellen Sie sicher, dass der gebohrte Wandbereich frei von verborgenen Stromkabeln, Wasser- und Gasleitungen ist, wenn Sie dieses Produkt an der Wand befestigen.
3. Die Verwendung von Kippsicherungen kann die Gefahr eines Kippens nur verringern, jedoch nicht beseitigen.
4. Setzen Sie bitte keine schweren Gegenstände auf dieses Produkt, es sei denn, dass das Produkt speziell für die Unterbringung konzipiert wird.
5. Legen Sie bitte die schwersten Gegenstände auf das unterste Regal.
6. Erlauben Sie nie Kindern, auf Schubladen, Türen oder Regale zu klettern oder zu knallen.

Parts List(EN) / Teile Liste(DE)

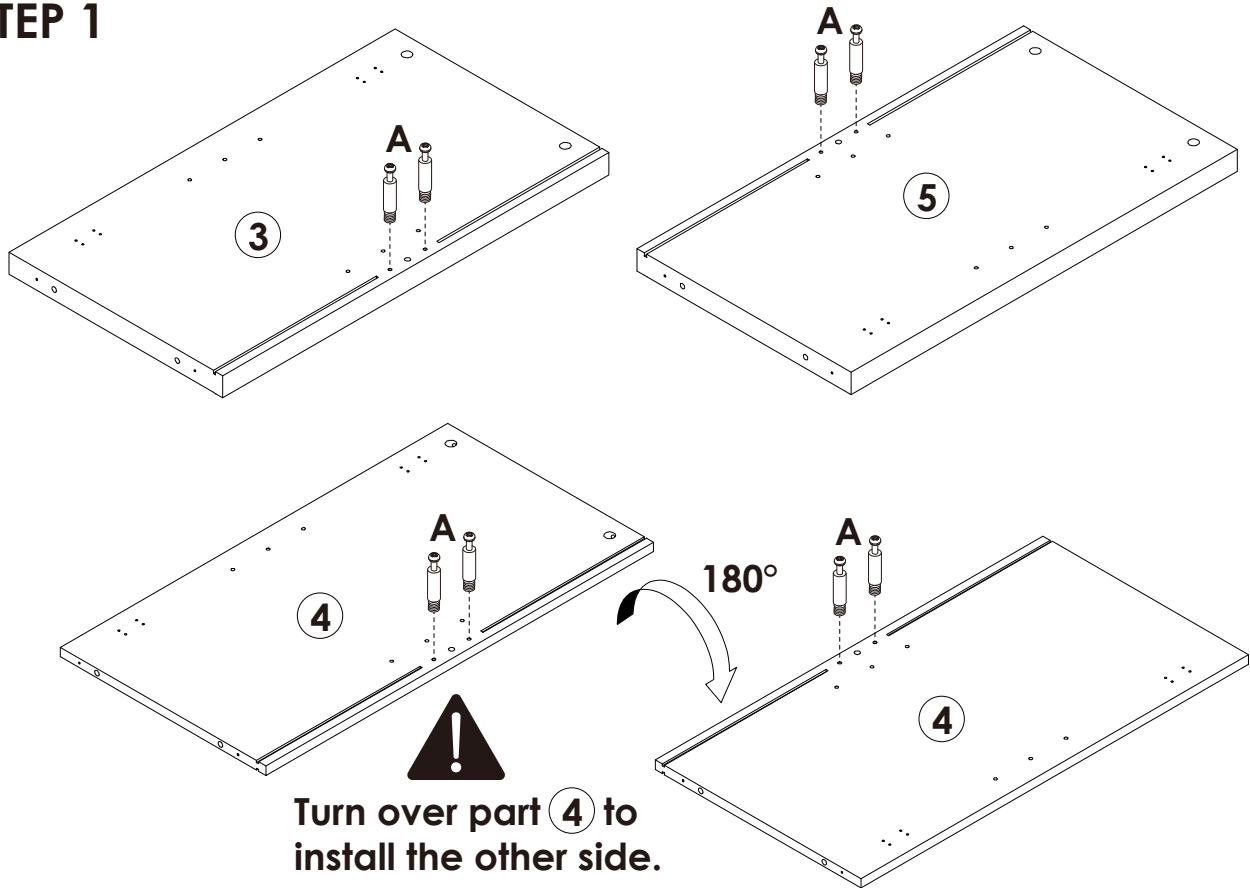


Parts List(EN) / Teile Liste(DE)

<p>A</p>  <p>M6×35mm 34+2PCS</p>	<p>B</p>  <p>Ø15×9mm 34+2PCS</p>	<p>C</p>  <p>Ø8×30mm 25+2PCS</p>	<p>D</p>  <p>Ø8×50mm 1PC</p>
<p>E</p>  <p>M4×50mm 6PCS</p>	<p>F</p>  <p>Ø35mm 4PCS</p>	<p>G</p>  <p>M3.5×14mm 48+2PCS</p>	<p>H</p>  <p>Ø35mm 4PCS</p>
<p>I</p>  <p>M3×12mm 8+1PCS</p>	<p>J</p>  <p>M4×20mm 8+1PCS</p>	<p>K</p>  <p>8+1PCS</p>	<p>L</p>  <p>16+2PCS</p>
<p>M</p>  <p>M3×16mm 24+2PCS</p>	<p>N</p>  <p>2PCS</p>	<p>O</p>  <p>M4×14mm 2PCS</p>	<p>P</p>  <p>2PCS</p>
<p>Q</p>  <p>4PCS</p>	<p>R</p>  <p>8PCS</p>	<p>S</p>  <p>4PCS</p>	<p>T</p>  <p>Ø20mm 14+1PCS</p>
<p>U</p>  <p>M4×35mm 2PCS</p>			

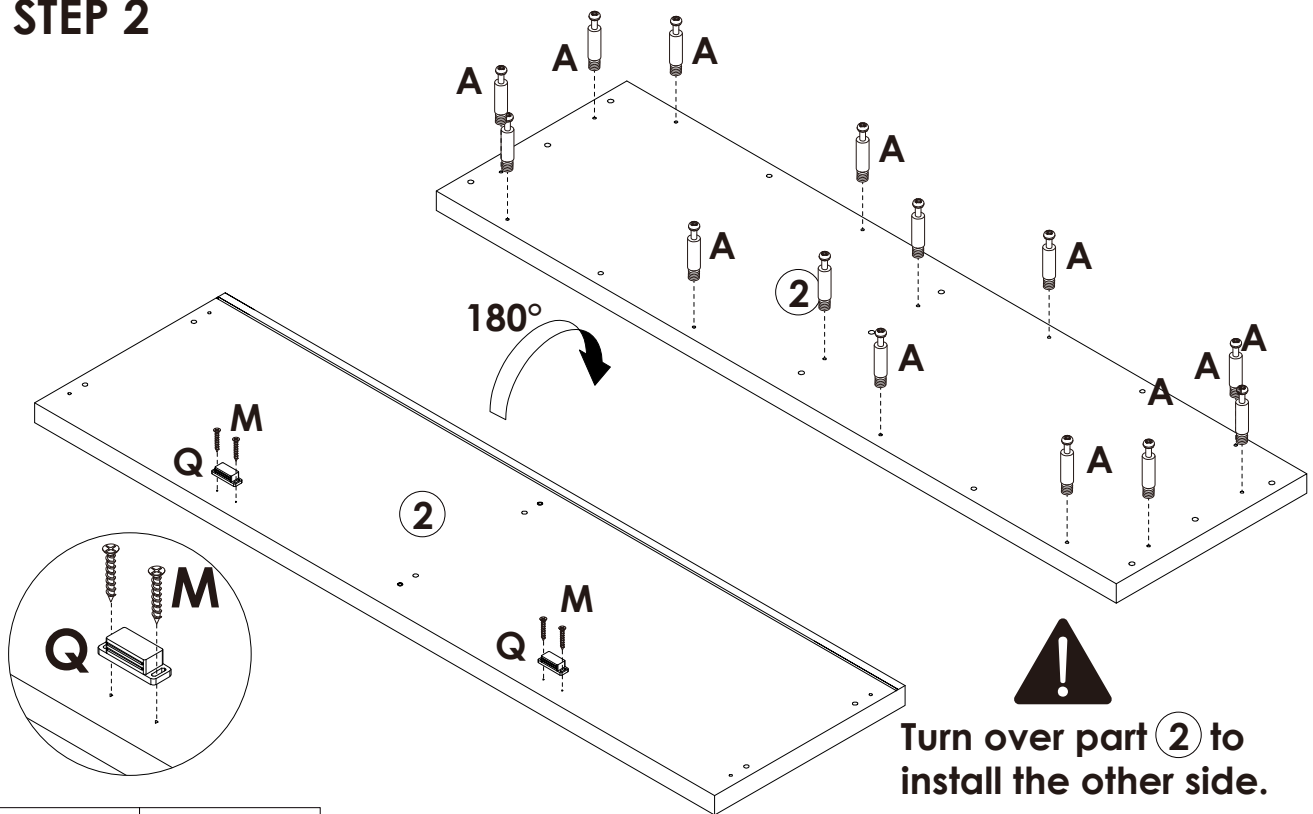
Assembly Steps(EN) / Montageschritte(DE)

STEP 1

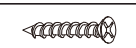


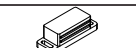
 A x 8PCS

STEP 2



 A x 14PCS

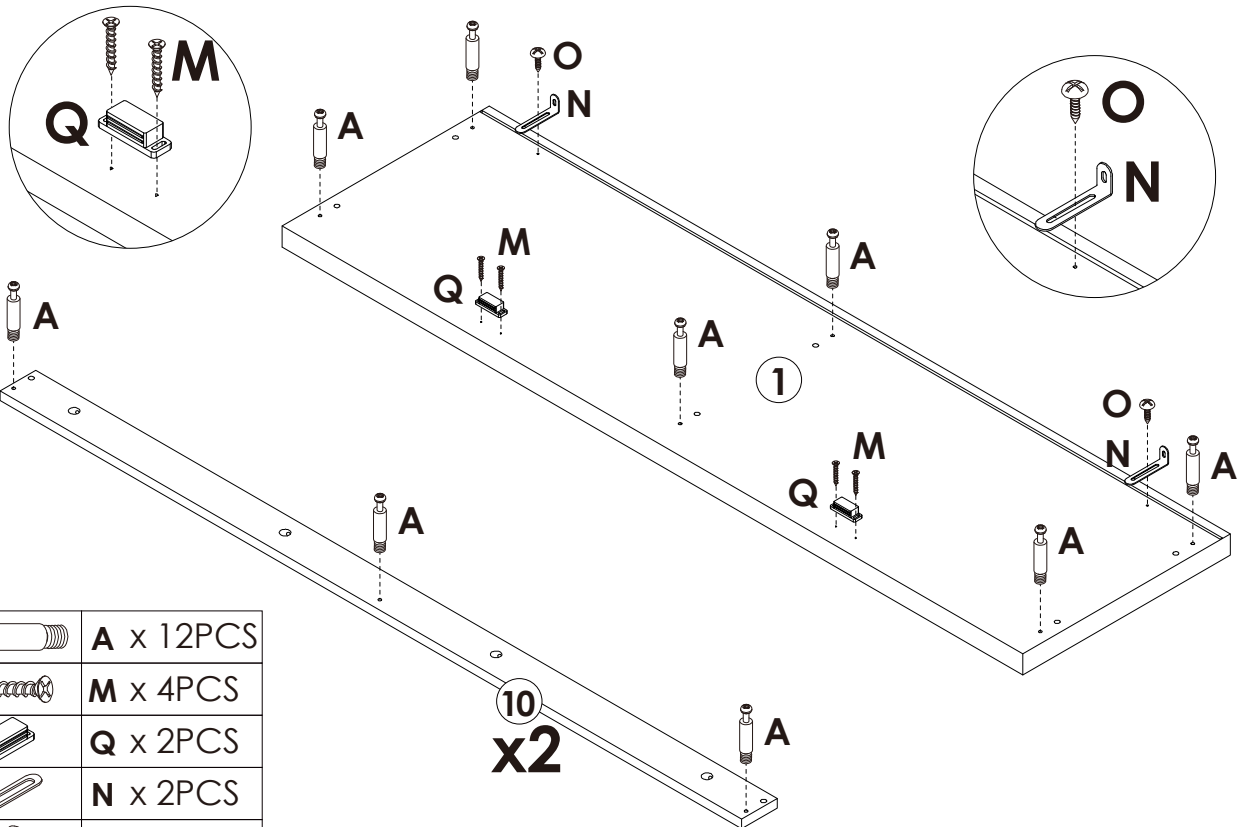
 M x 4PCS



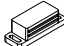


 Q x 2PCS

Assembly Steps(EN) / Montageschritte(DE)

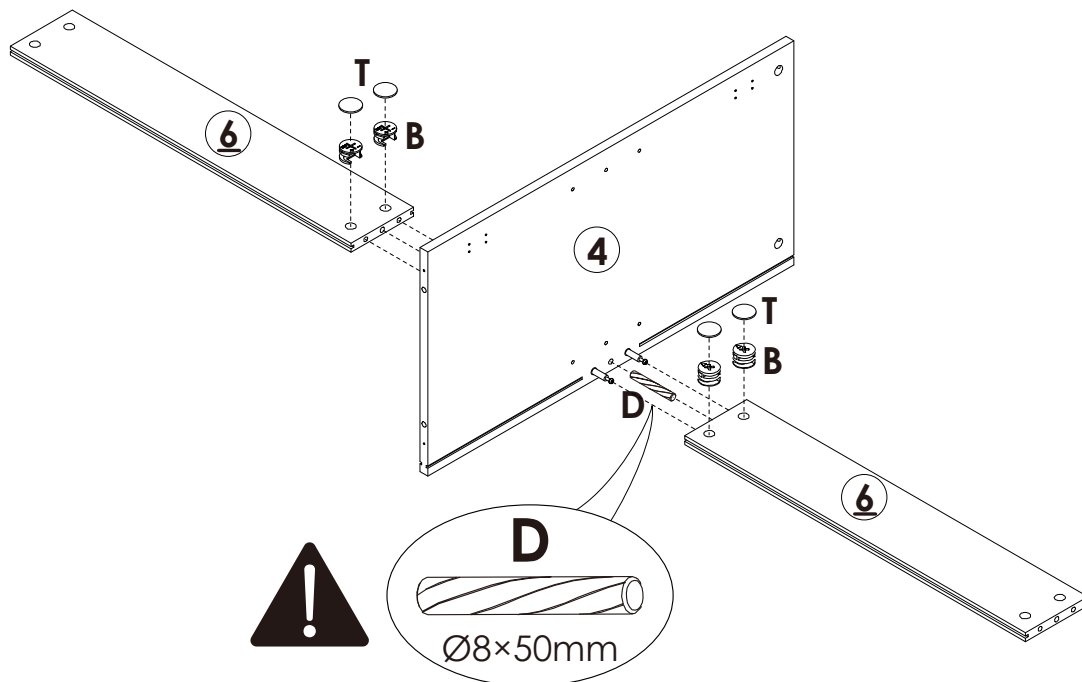
STEP 3


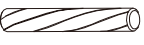

Lock the long side of the "N" L-shaped metal plate to the ① board with the "O" short screw

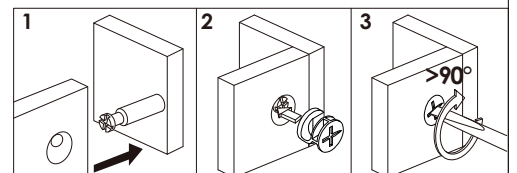


	A x 12PCS
	M x 4PCS
	Q x 2PCS
	N x 2PCS
	O x 2PCS

STEP 4

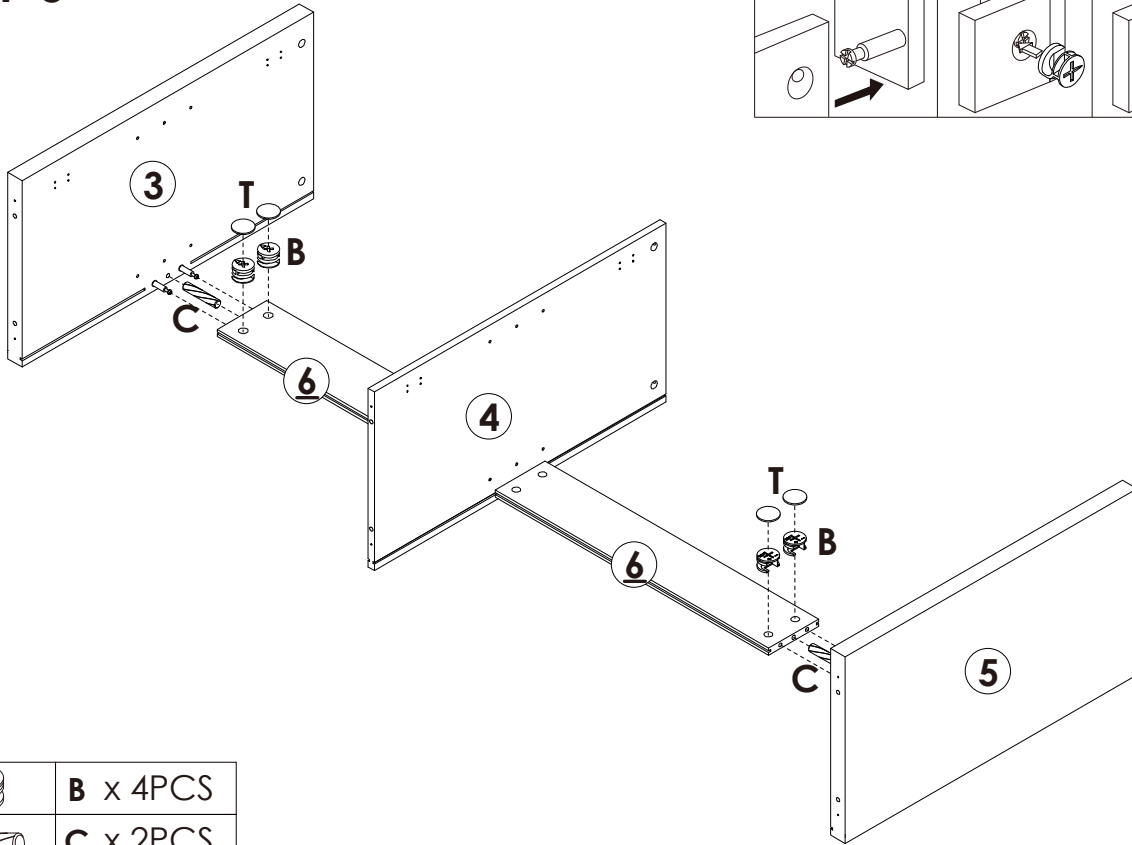





	B x 4PCS
	D x 1PC
	T x 4PCS



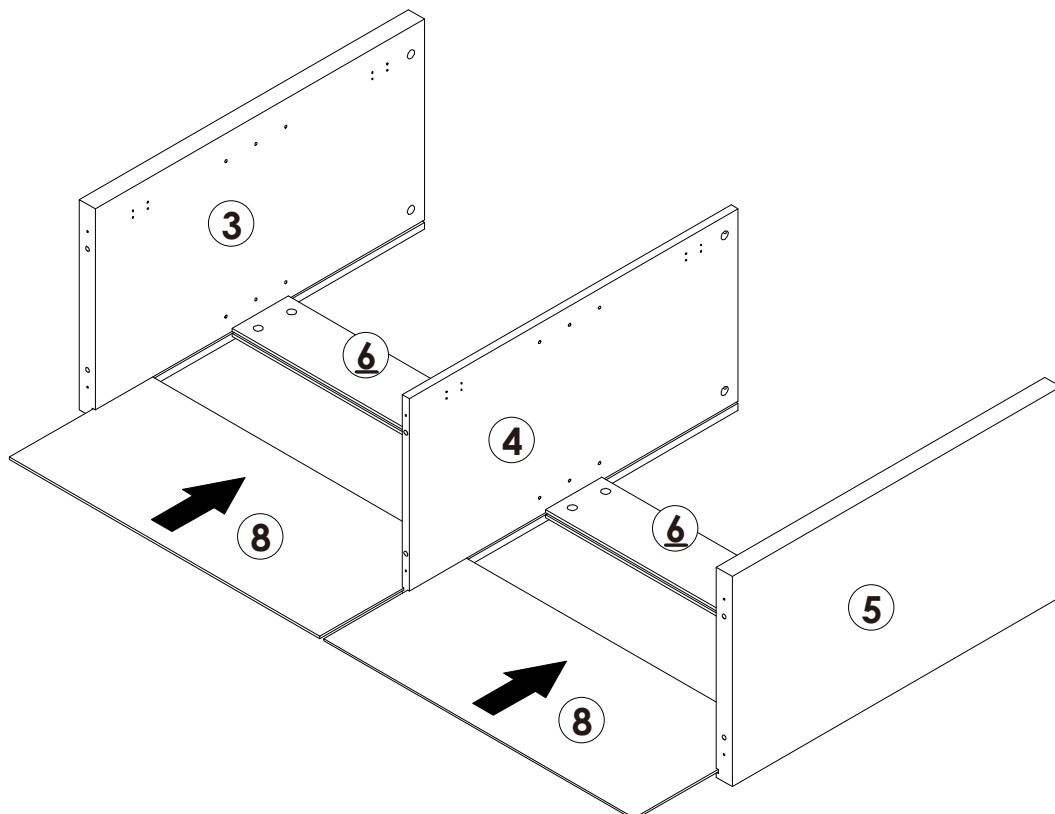
Assembly Steps(EN) / Montageschritte(DE)

STEP 5



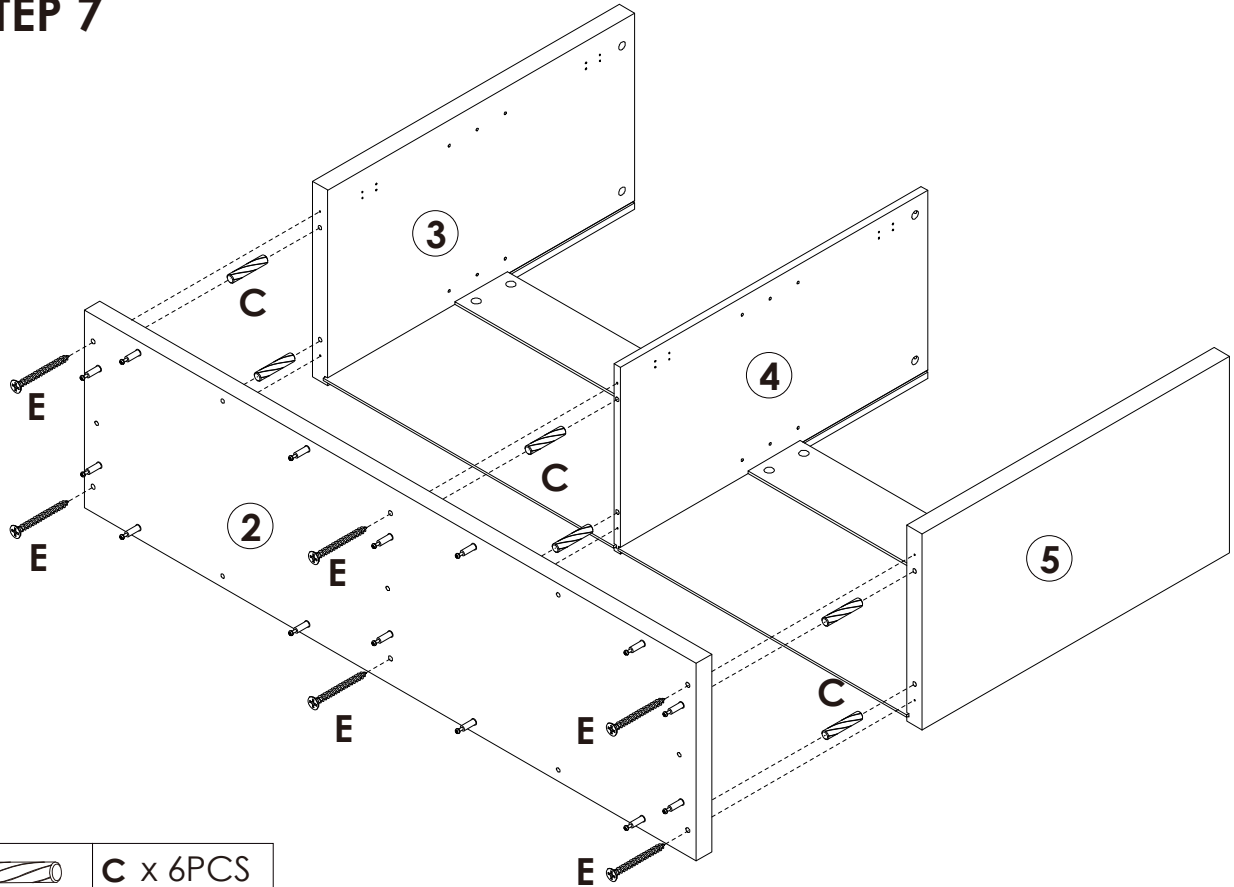
	B x 4PCS
	C x 2PCS
	T x 4PCS



STEP 6



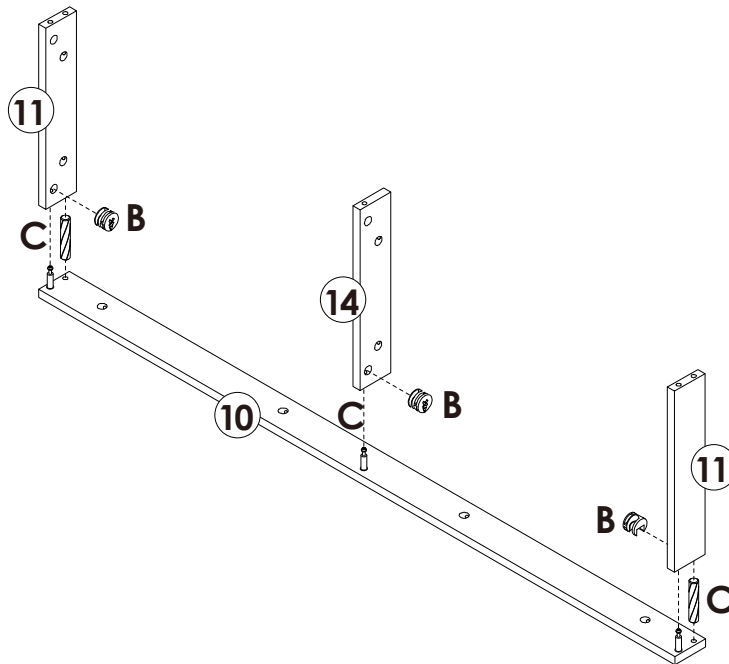
Assembly Steps(EN) / Montageschritte(DE)



STEP 7

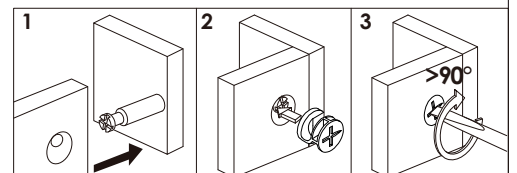


	C x 6PCS
	E x 6PCS

STEP 8

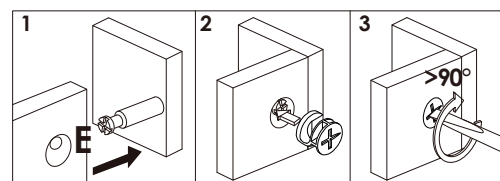
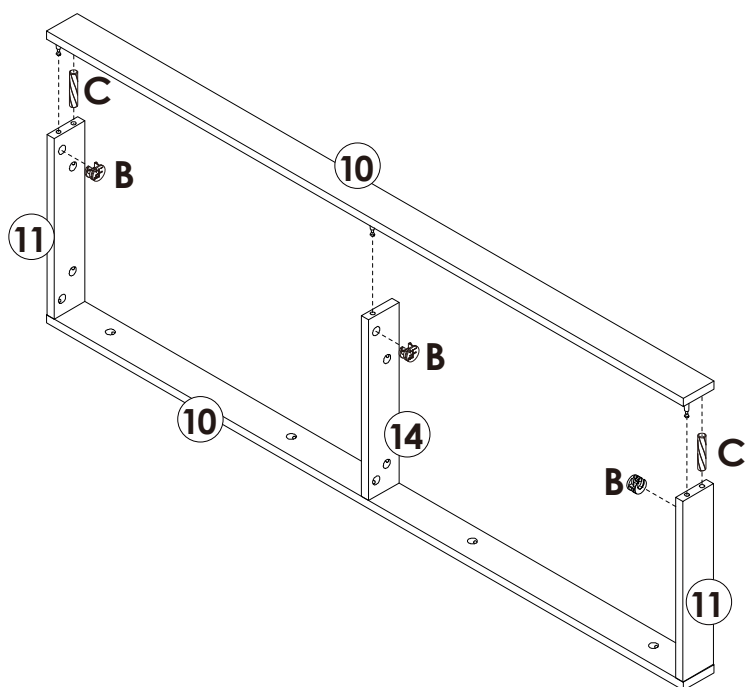




	B x 3PCS
	C x 2PCS



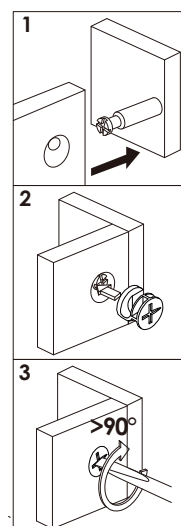
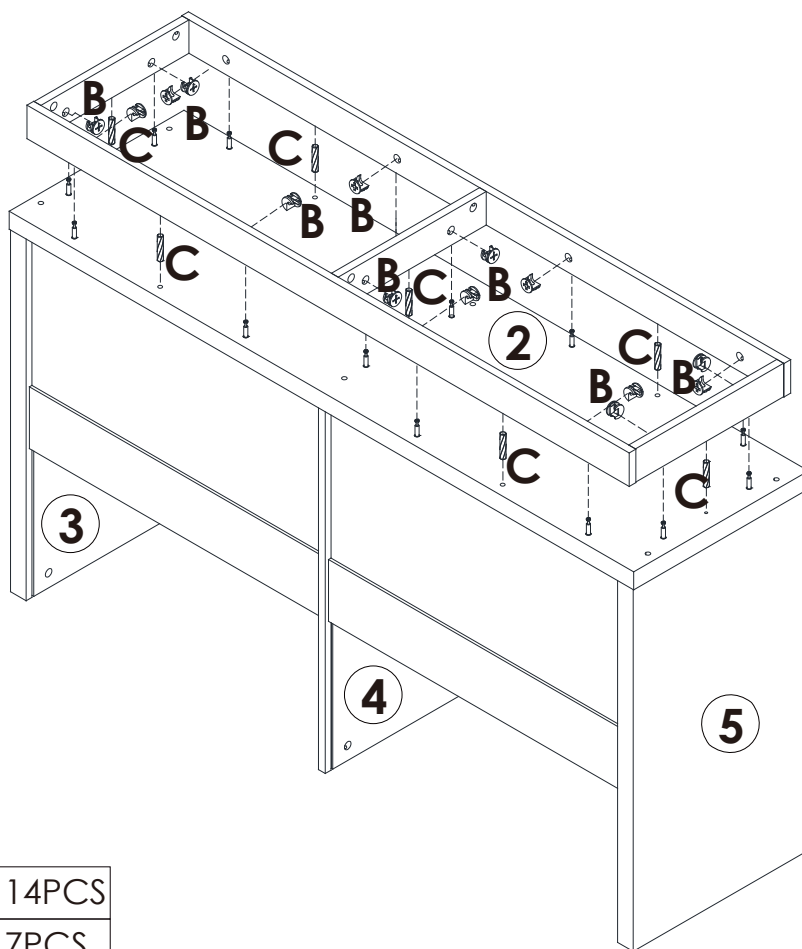
Assembly Steps(EN) / Montageschritte(DE)



STEP 9



	B x 3PCS
	C x 2PCS

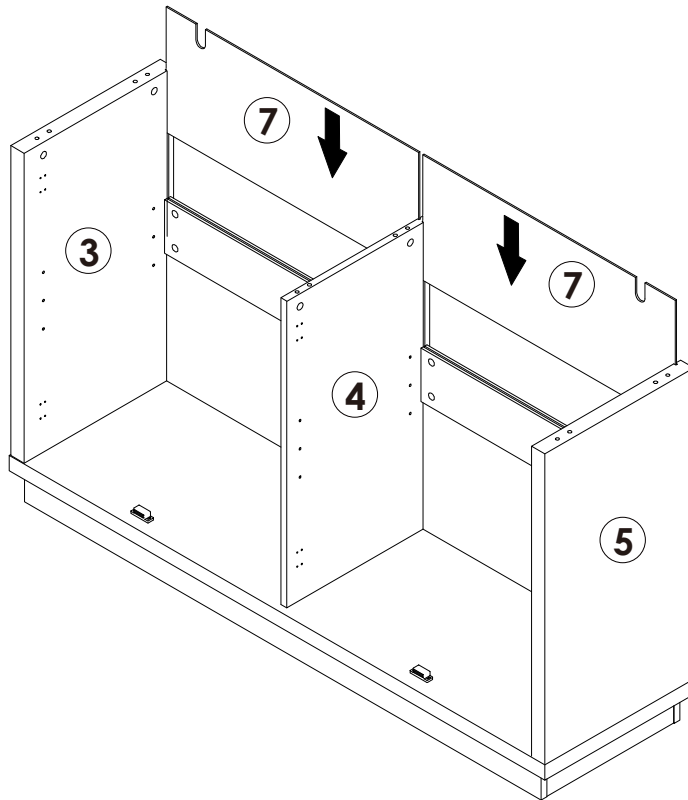
STEP 10



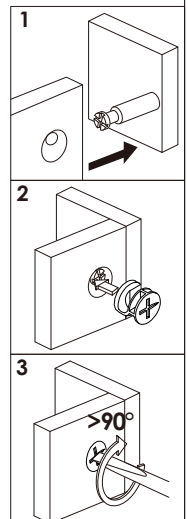
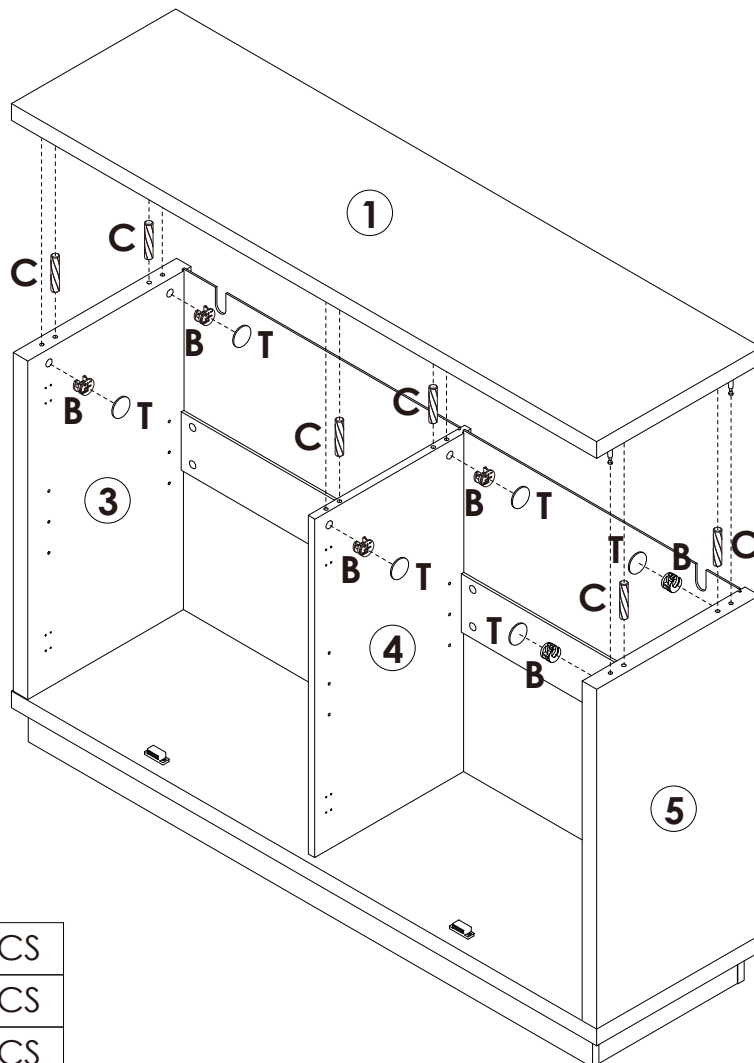
	B x 14PCS
	C x 7PCS




Assembly Steps(EN) / Montageschritte(DE)

STEP 11



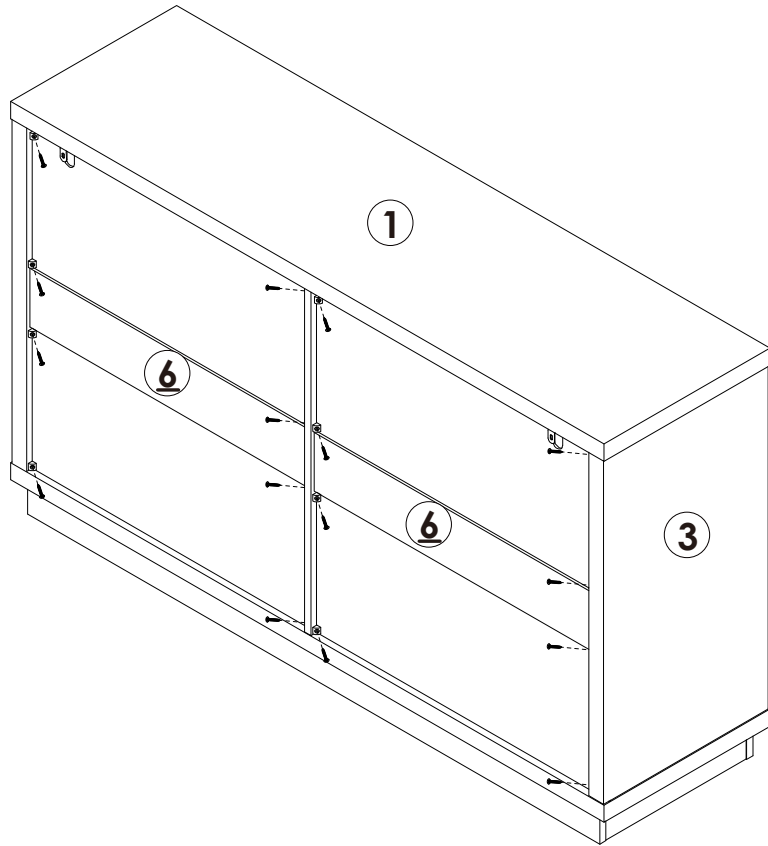
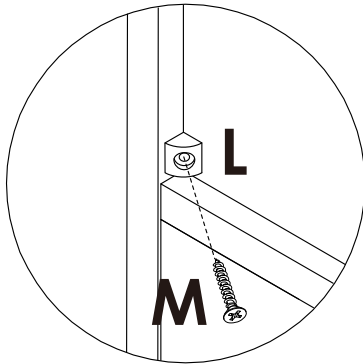
STEP 12



	B x 6PCS
	C x 6PCS
	T x 6PCS

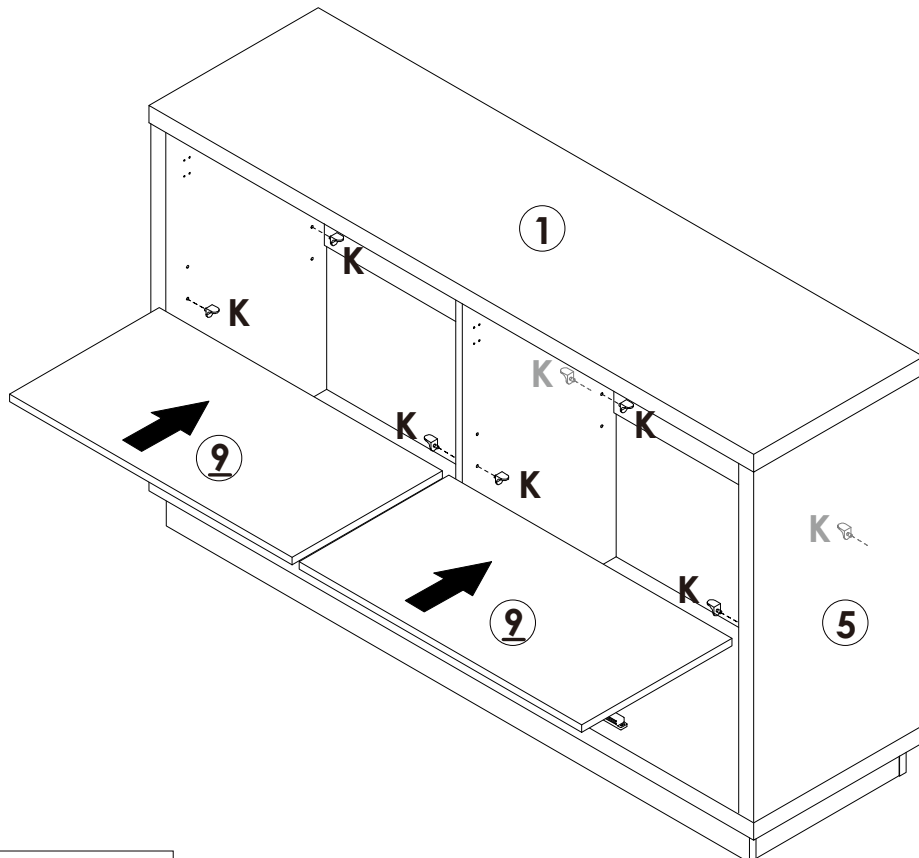
Assembly Steps(EN) / Montageschritte(DE)

STEP 13



	L x 16PCS
	M x 16PCS

STEP 14

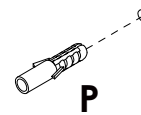
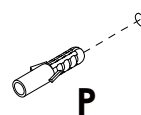
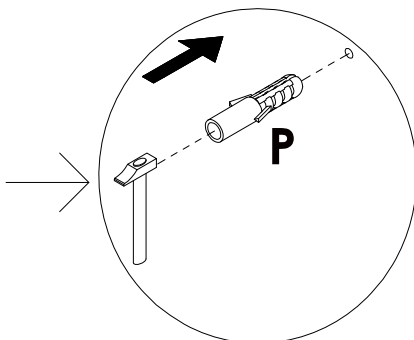
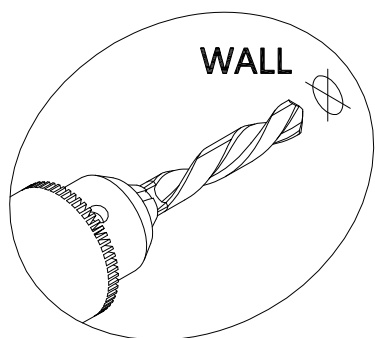


	K x 8PCS
--	----------

Assembly Steps(EN) / Montageschritte(DE)

STEP 15

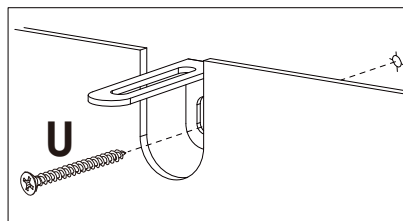
Drill 2 holes on the wall at the required position for anti-falling device installation.



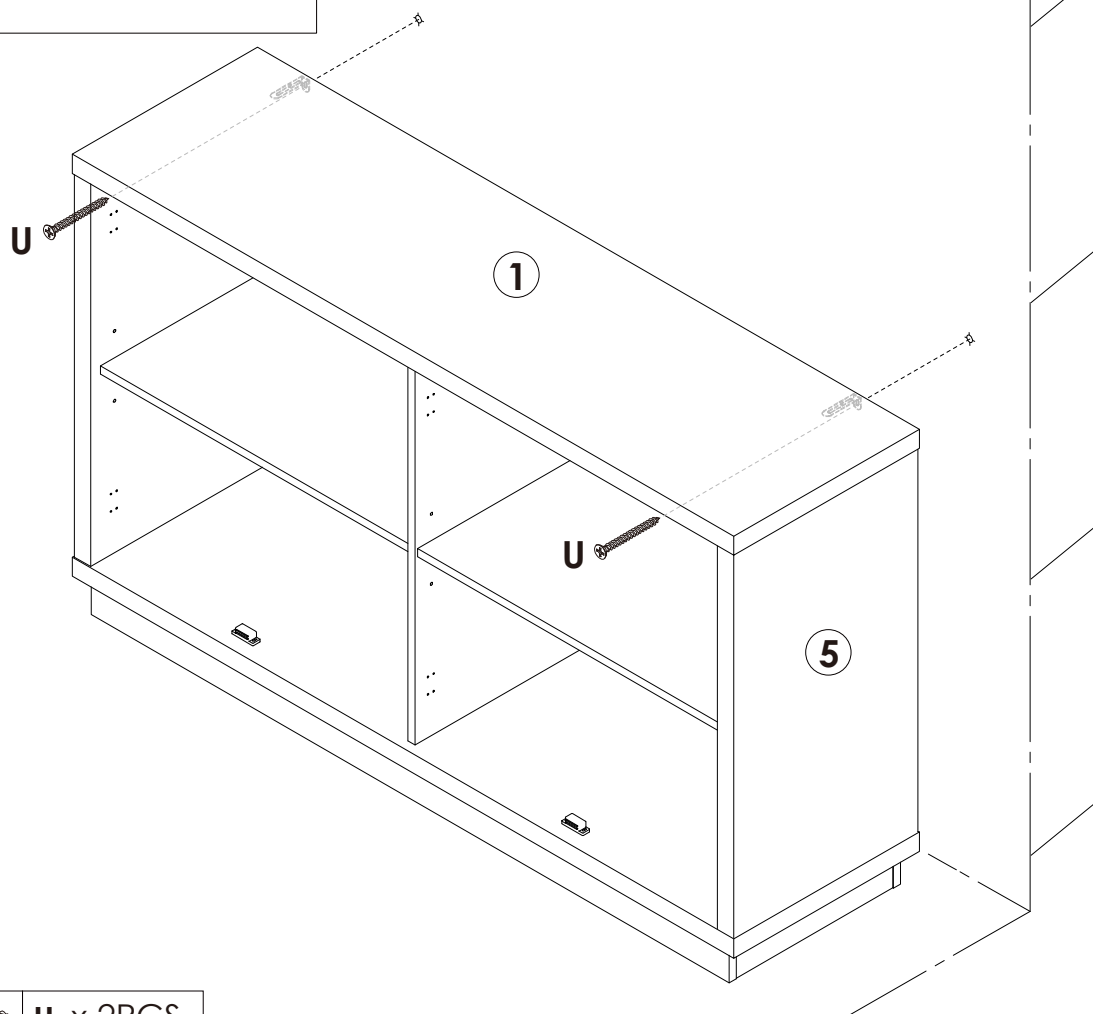
P x 2PCS

STEP 16

Move the cabinet to the required position, use the "U" long screw to fix the cabinet to the wall.



WALL









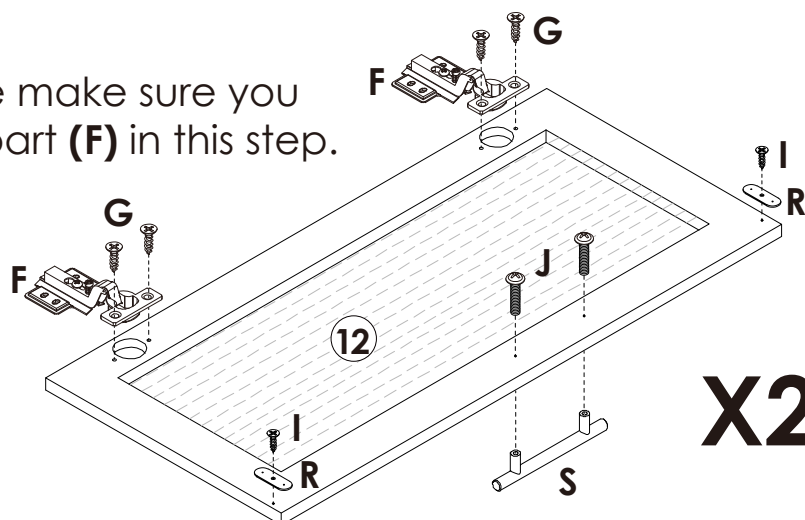
U x 2PCS

Assembly Steps(EN) / Montageschritte(DE)

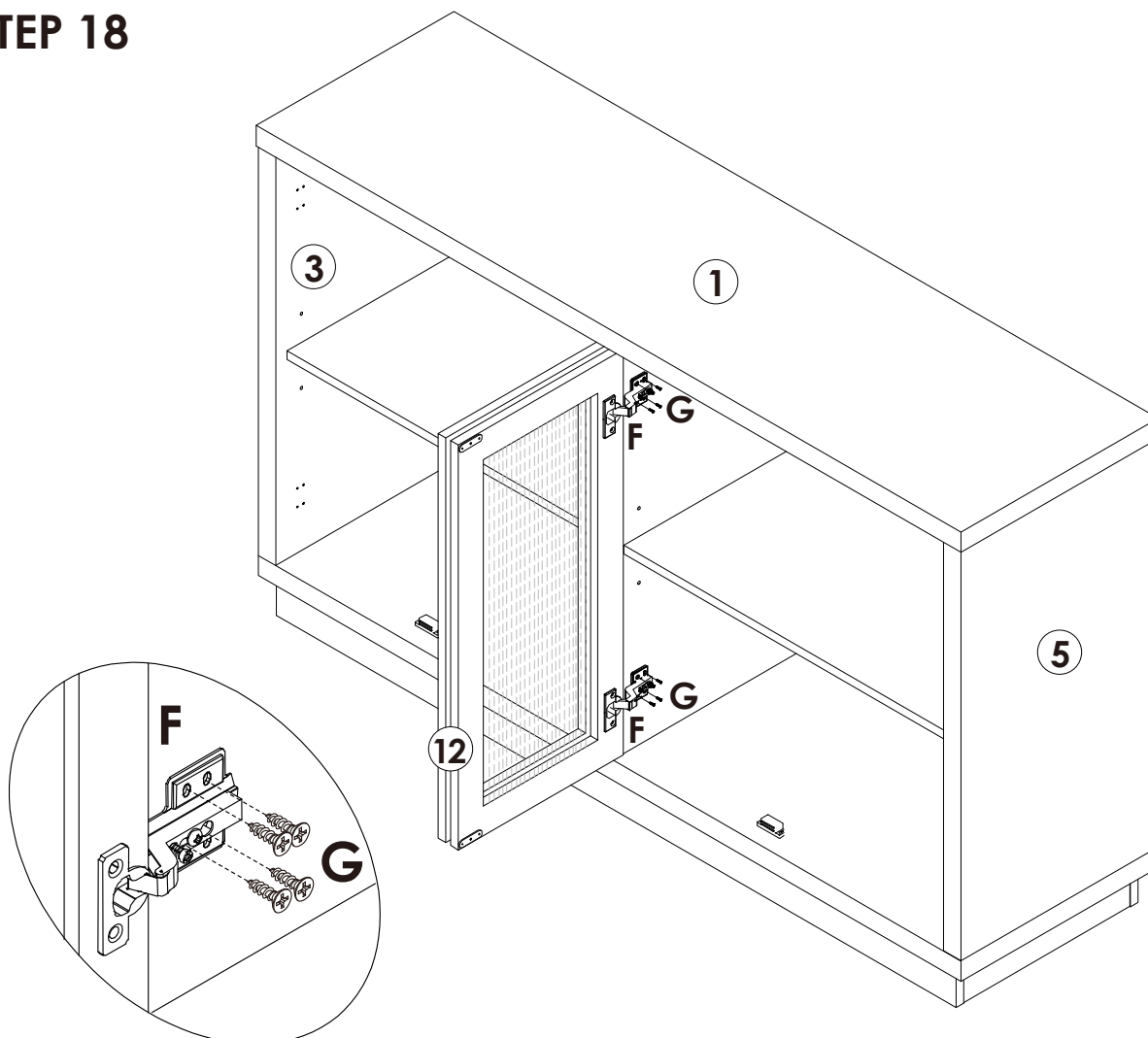
STEP 17

Please make sure you take part **(F)** in this step.

	F x 4PCS
	G x 8PCS
	I x 4PCS
	R x 4PCS
	J x 4PCS
	S x 2PCS



STEP 18



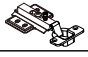





Please note that the middle 2 doors should be matched with part **(F)**, taking the wrong hinge **(H)** might cause the door gap to be unable to adjust.

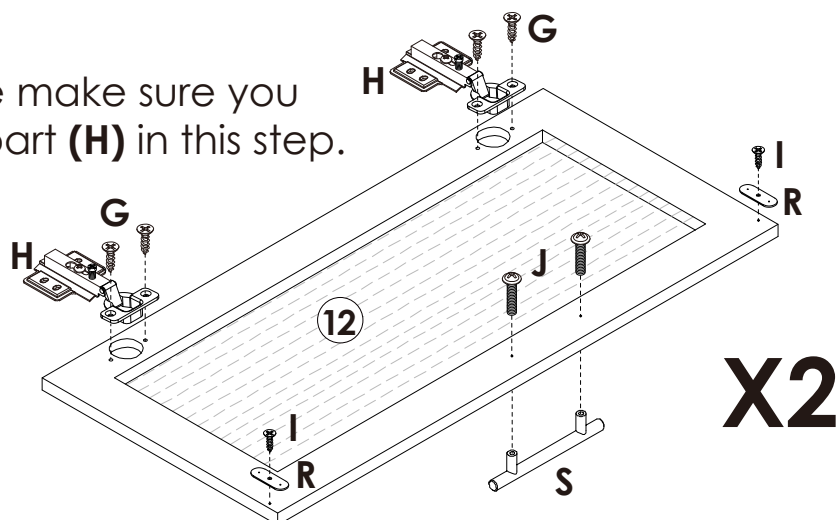
	G x 16PCS
---	------------------

Assembly Steps(EN) / Montageschritte(DE)

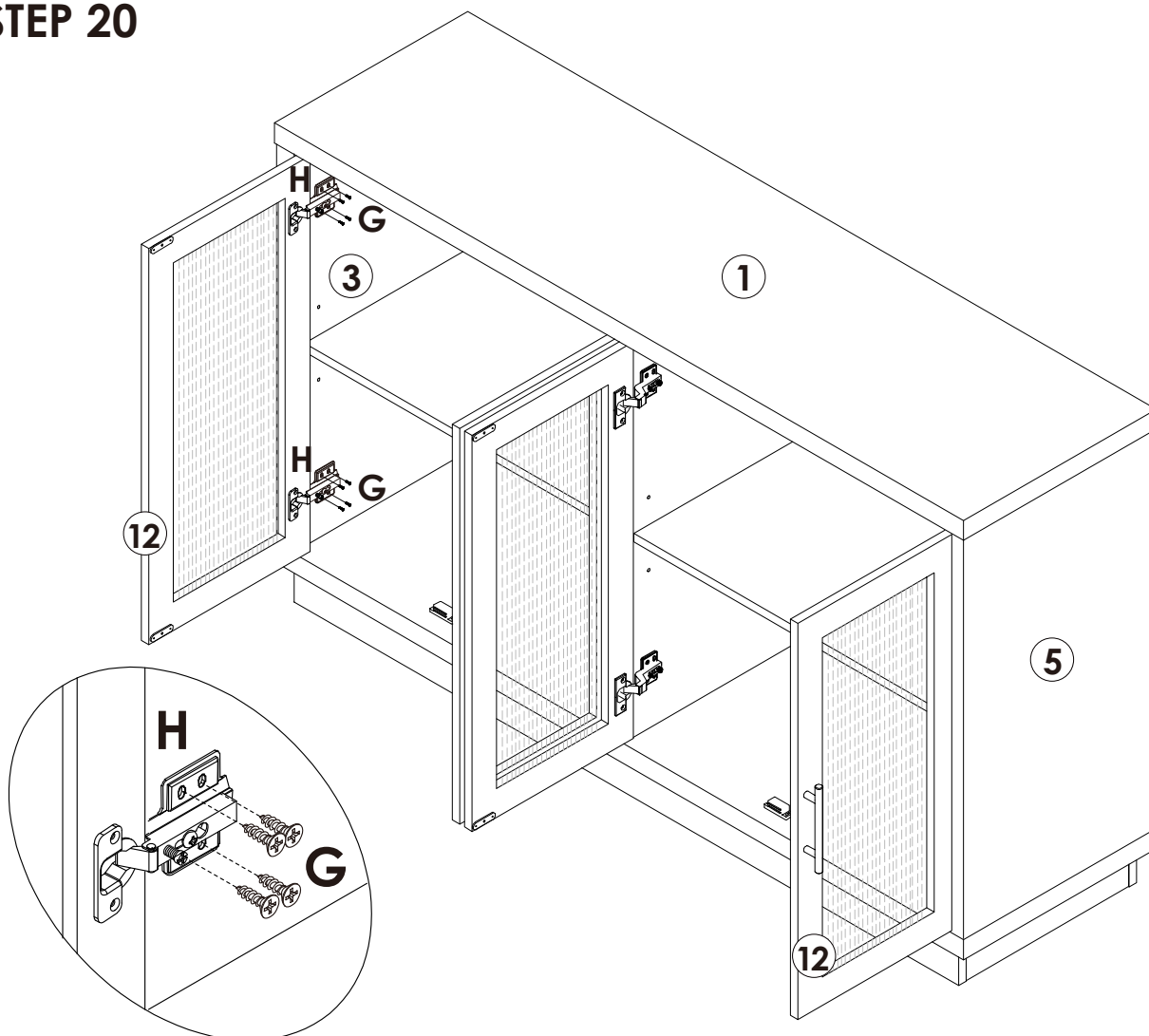
STEP 19

Please make sure you take part **(H)** in this step.

	H x 4PCS
	G x 8PCS
	I x 4PCS
	R x 4PCS
	J x 4PCS
	S x 2PCS



STEP 20



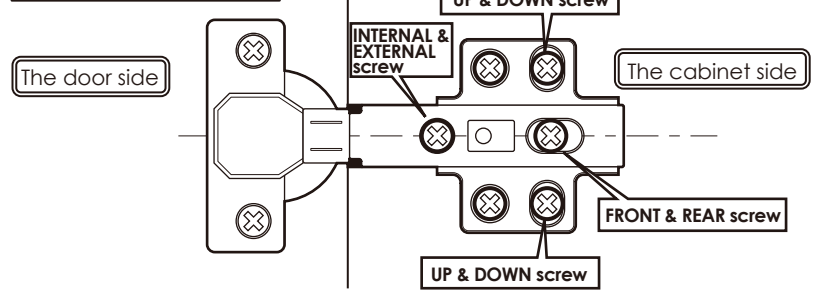
Please note that the side 2 doors should be matched with part **(H)**, taking the wrong hinge **(F)** might cause the door gap to be unable to adjust.

	G x 16PCS
---	------------------

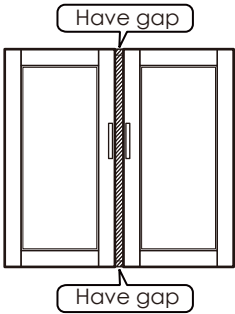
The ways to adjust the door

- Before adjusting the hinge, please check whether the cabinet is skewed.
- If the skew can not be repaired, please remove the anti-tipping device first, then adjust the cabinet to vertical position.
- Please adjust the hinge with the door open.
- Please operate it with more than 2 people, one person holds the door and the other one adjusts the screw.

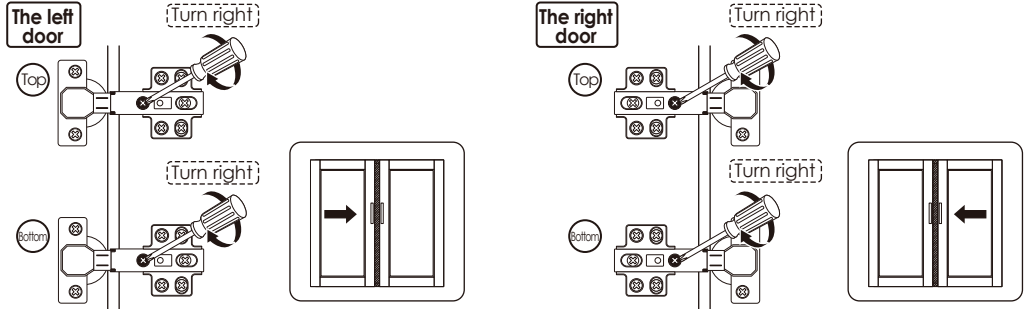
Components Name



Obvious gaps between doors or Doors don't look closed



- 1 Turn "internal & external screw" to the right can make the door approach inside. Please adjust the doors little by little.



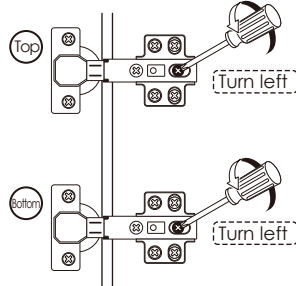
※ If the 2 doors are overlap, please turn the "internal & external screw" to the left.

When door is crooked



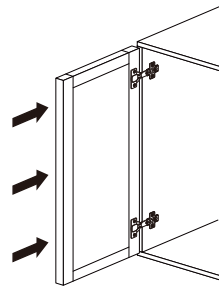
Please take the following steps to adjust first.

- 1 Rotate the "front and rear screws" to the left

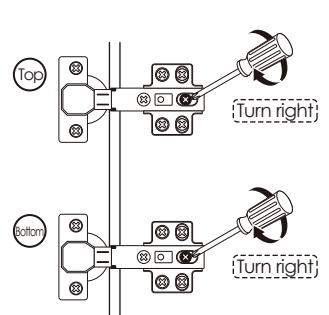


※ After adjusting the "front and rear screw", the door still does not change, please turn the "internal & external screw" to the right slightly.

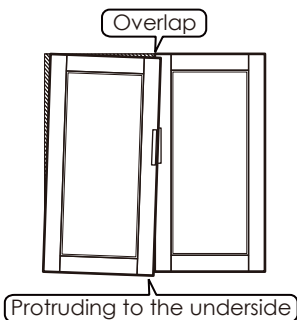
- 2 Push the door to the cabinet



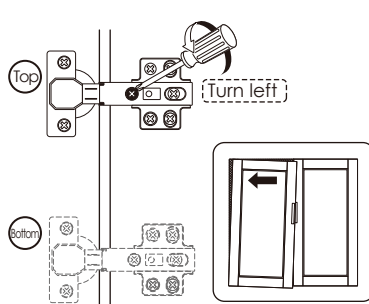
- 3 Rotate the "front and rear screws" to the right



When door is leaning



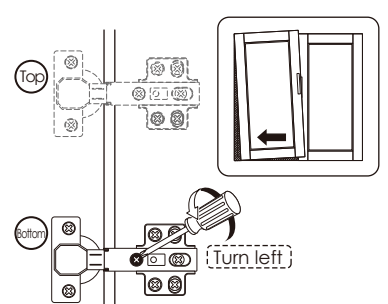
- 1 Turn "internal & external screw" to the left can make the top of the door tilted outward.



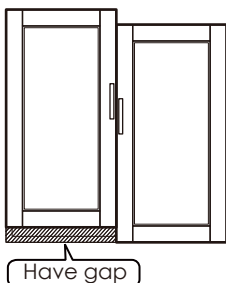
Protruding to the upside



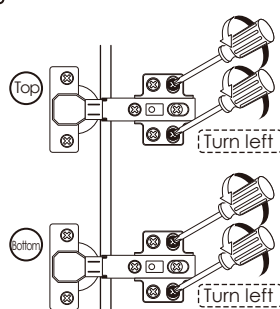
- 1 Turn "internal & external screw" to the left can make the bottom of the door tilted outward.



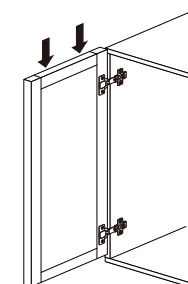
When the door is higher on top



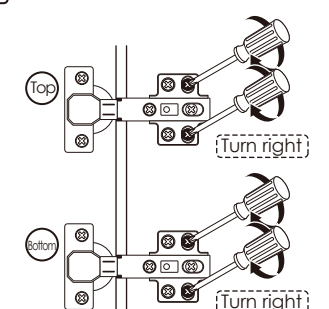
- 1 Turn "up & down screw" to the left



- 2 Lower the door's height so that 2 doors are of the same height.



- 3 Turn "up & down screw" to the right



※ If the door is lower on bottom, please lift up the left door slightly on step 2



WARNING



Children have died from furniture tipover. To reduce the risk of furniture tipover:

- **ALWAYS** install Anti-tip device provided.
- **NEVER** put a TV on this product.
- **NEVER** allow children to stand, climb or hang on any drawers, doors, or shelves.
- **NEVER** open more than one drawer at a time.
- Place heaviest items in the lowest drawers.



***This is a permanent label.
Do not remove!***