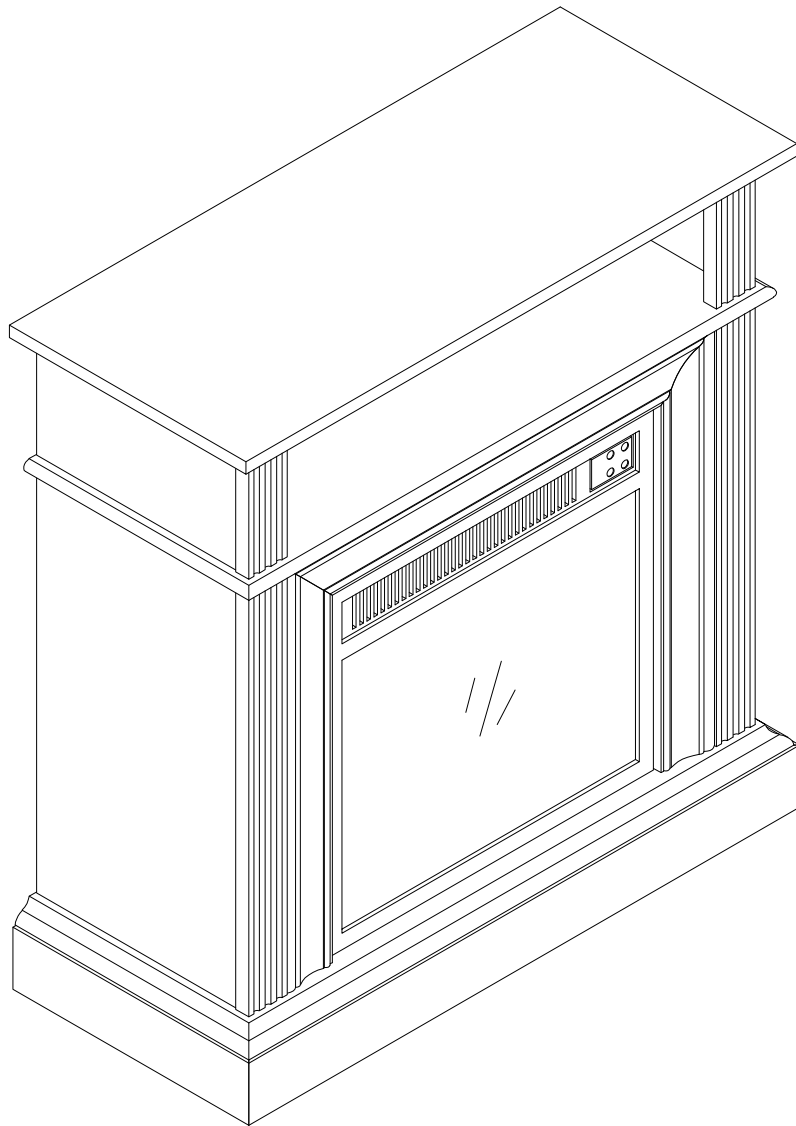
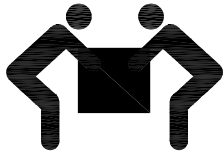


INSTRUCTION MANUAL





WARNING

Some steps are more easily handled with two adults.



CAUTION

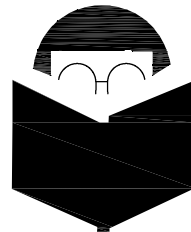
Before assembly and/or installation, carefully unwrap all components. Locate the hardware kit and set it aside before discarding packaging. Handle with care when assembling your new product. Take your time and follow assembly instructions closely.



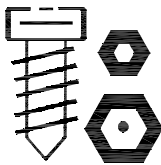
If you have any questions below, please feel free to contact us. We will respond within 24 hours.



ANY DAMAGE



**READ INSTRUCTIONS
CAREFULLY**



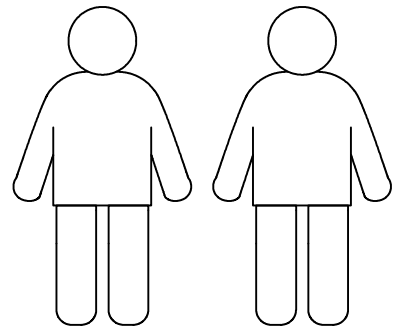
MISS SOME PARTS



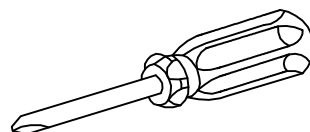
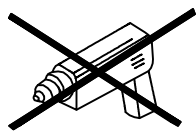
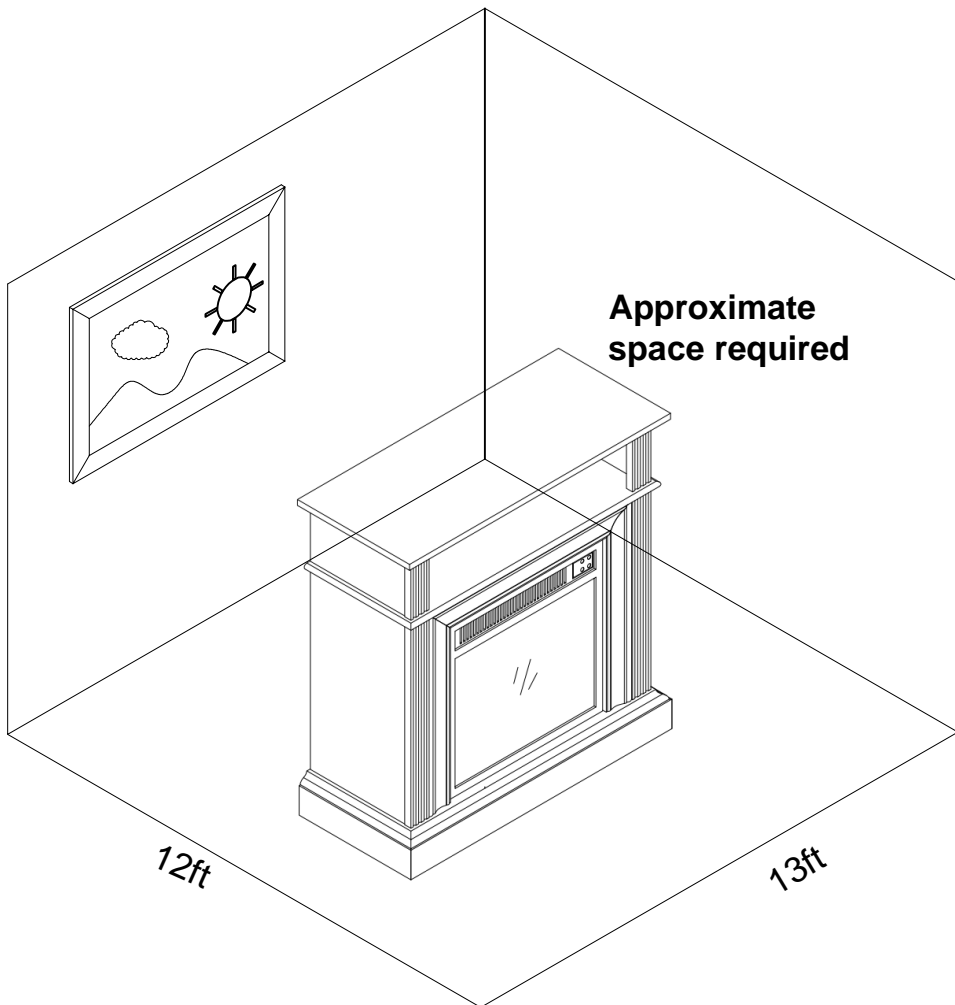
OTHER QUESTIONS



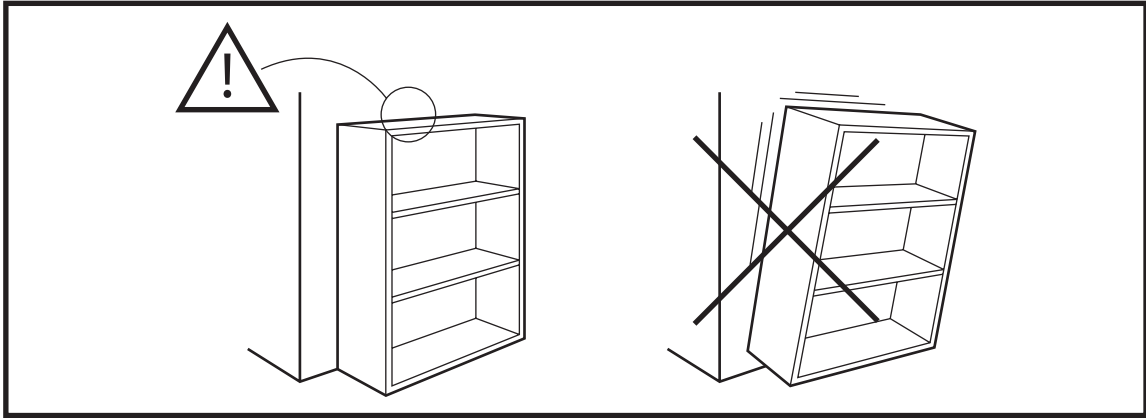
30 min



Two People Required



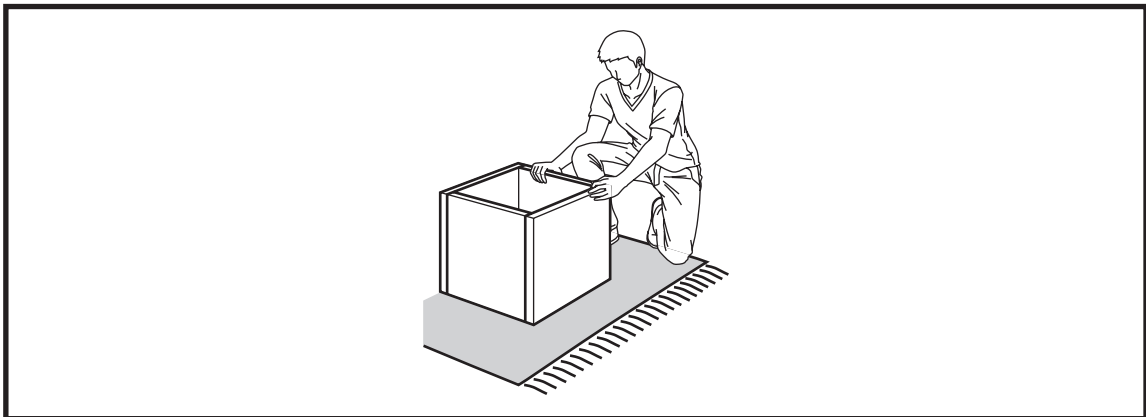
Phillips Head



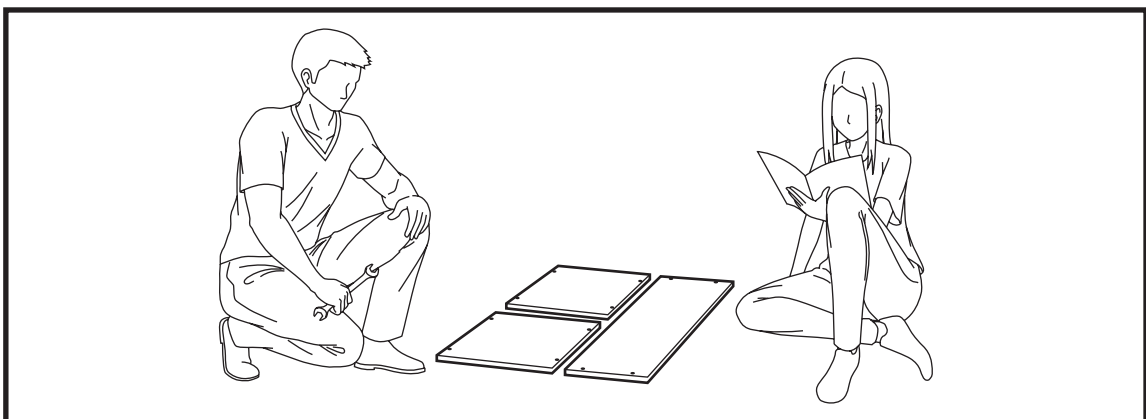
Warning

Serious or fatal crushing injuries may occur if the furniture tips over. Furniture must be permanently fixed to the wall with the included anti-tipping device to prevent the furniture from tipping over.

Different wall materials require different types of fixing devices. Use a suitable fixing device to ensure the stability and load-bearing capacity of the furniture. If you are uncertain about which type of fixing device to use, please contact your local hardware store.



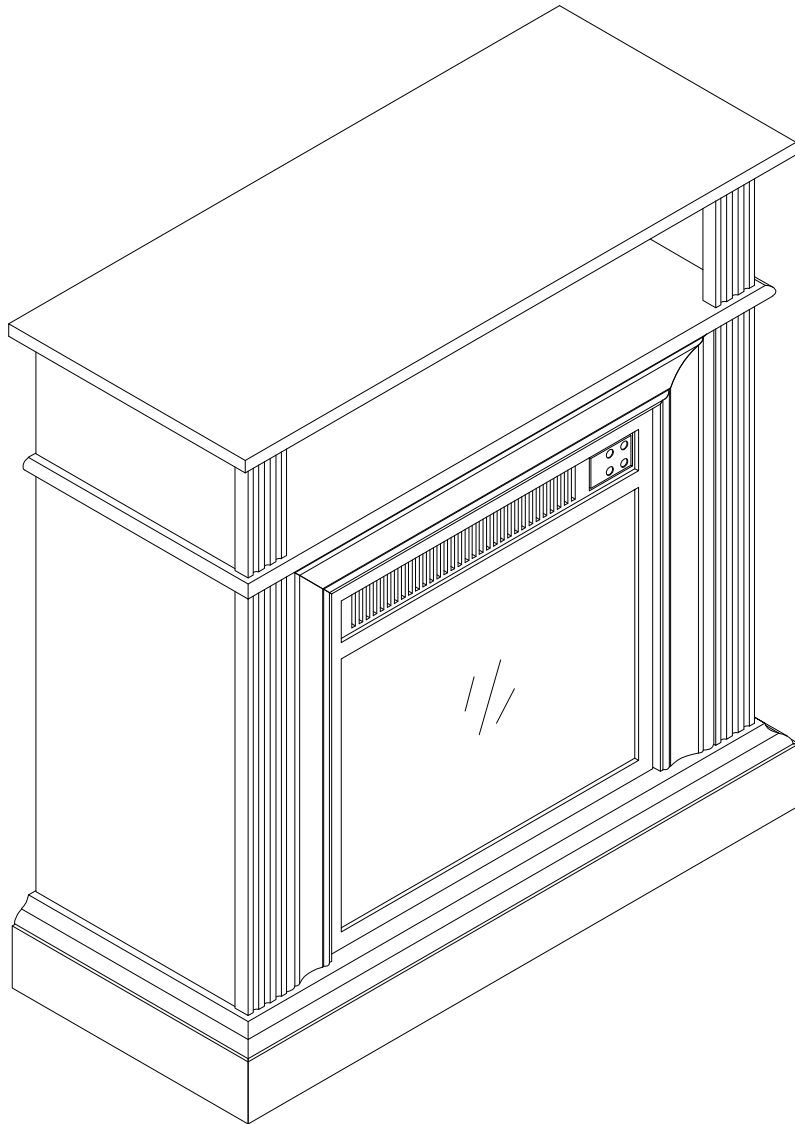
Assemble the furniture on an empty carton, carpet, or rug to prevent scratches or damage.



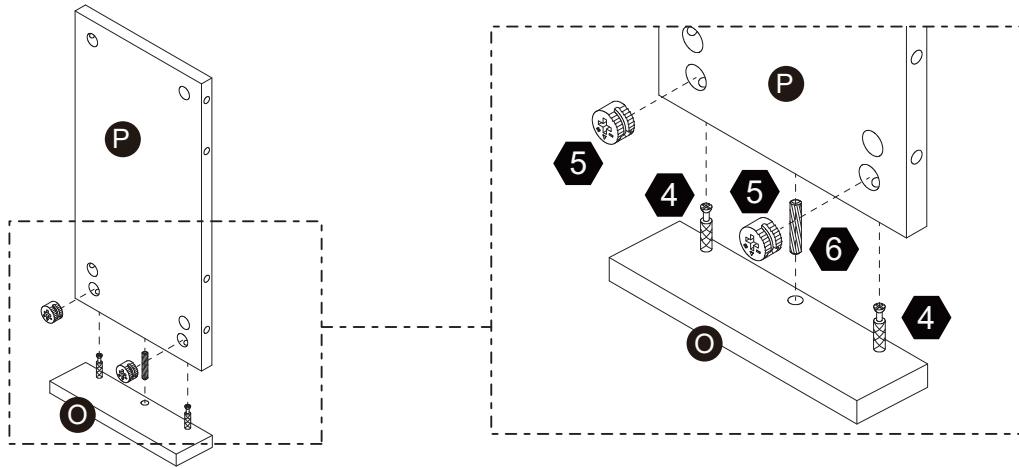
This furniture requires 2 people to assemble.
Make sure no parts are missing or damaged before assembly.

GENERAL INFORMATION, TIPS AND TRICKS

1. Please read the Assembly instructions prior to assembling this product.
2. Remove all hardware from the box and sort by size.
3. Check that all hardware and parts are present BEFORE assembling
4. Ask a friend to assist you with the assembly of this furniture.
5. To avoid damage, assemble the product on a sturdy, level and protective surface.
6. Please wait until all steps are completed before fully tightening bolts.
7. Make sure all screws and bolts are tightly fastened before using the unit.

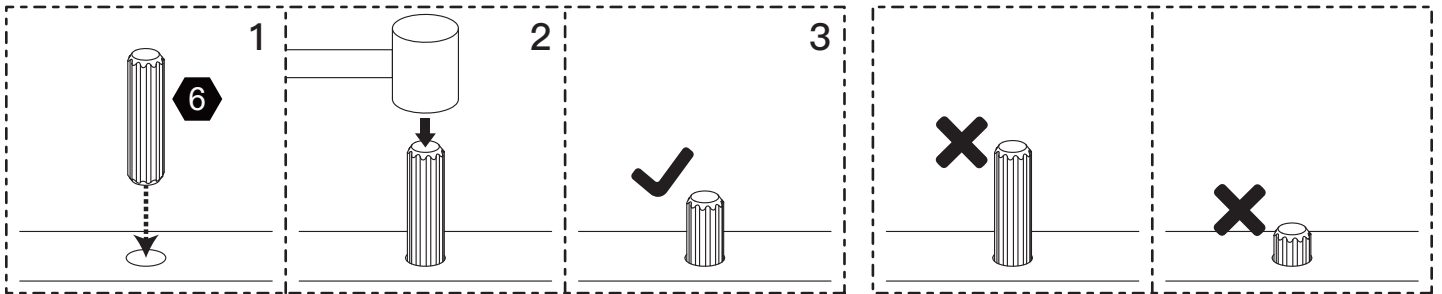


How the Assembly System Works



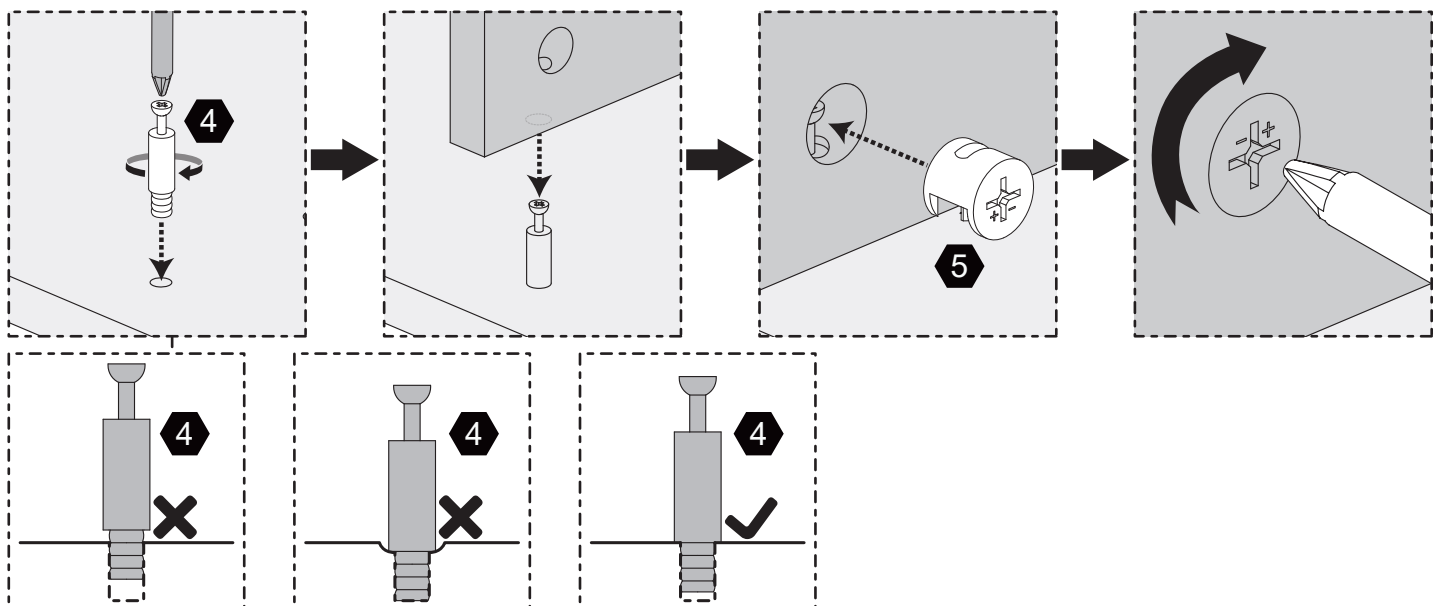
How to Install Wood Dowel

Insert the wood dowel [6] at least half-way. IF NECESSARY, lightly tap the wood dowel with a self-supplied rubber mallet.



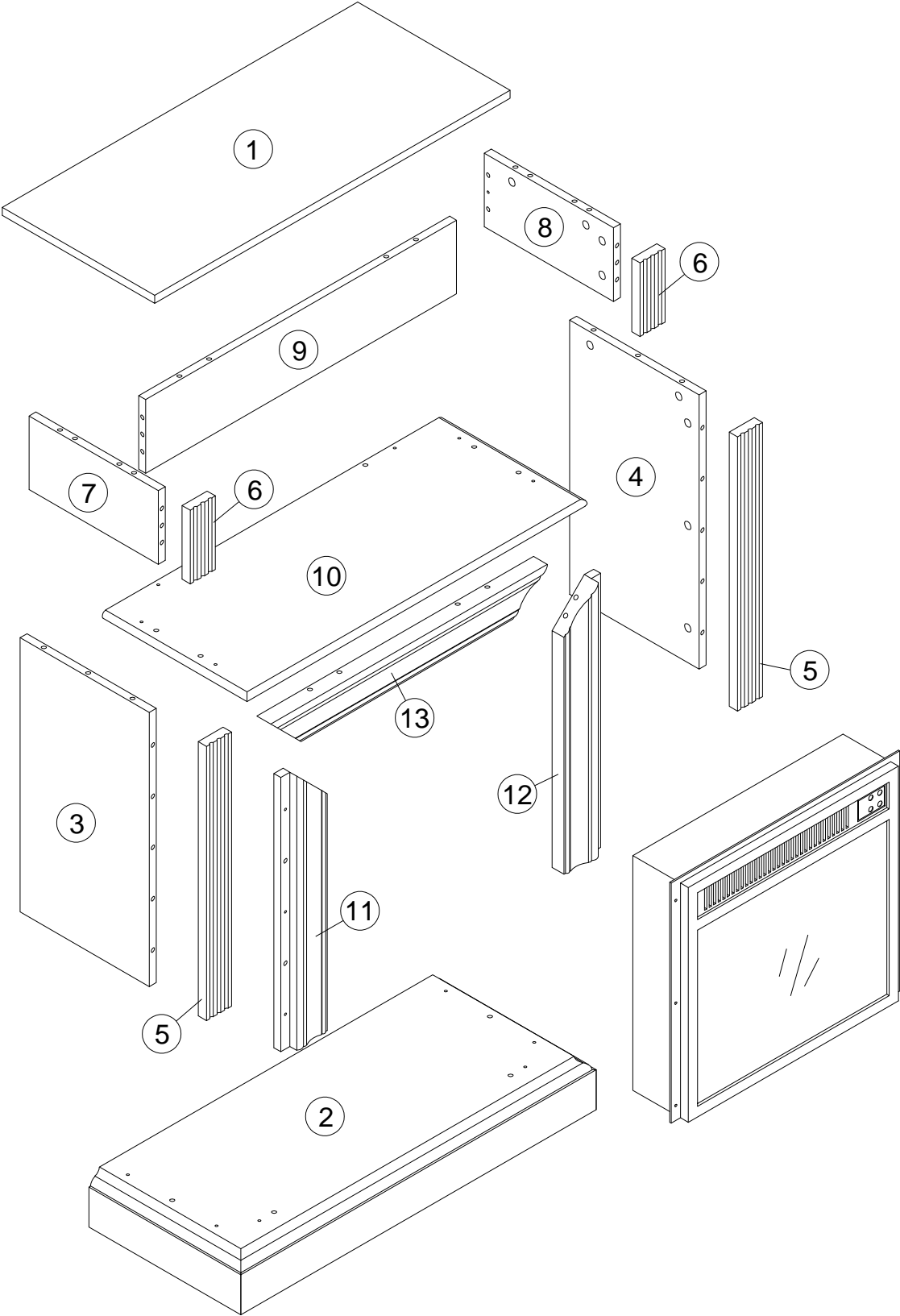
Cam Lock System Operation

1. Screw the cam bolt [4] into the threaded insert on the panel.
2. Connect both panels together making sure cam bolt [4] goes into the pre-drilled large hole on the end of panel for cam lock [5].
3. Insert the cam lock [5] into the pre-drilled large hole on the panel. Make sure the cross slot of cam lock [5] faces out.
3. Rotate the cam lock [5] clockwise to lock the cam bolt [4] in place.



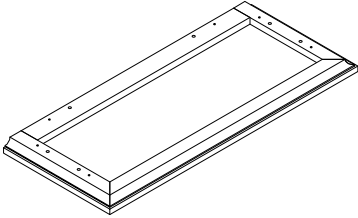
You are now ready to assemble the Fireplace TV Stand.

Exploded Drawing



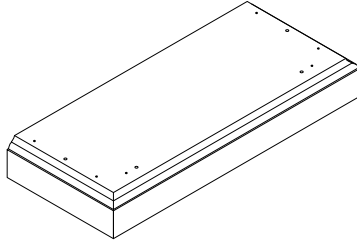
Contents

①



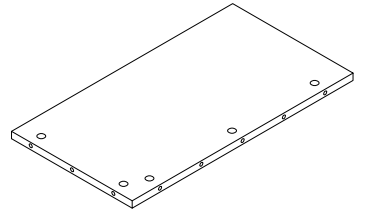
1 pc

②



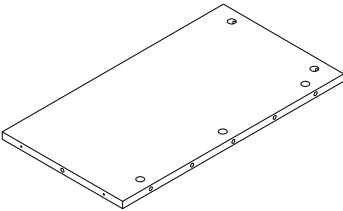
1 pc

③



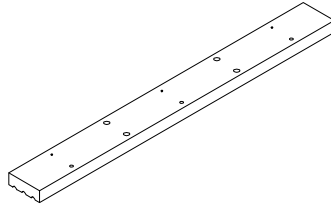
1 pc

④



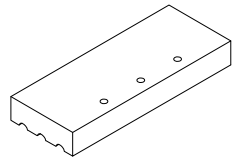
1 pc

⑤



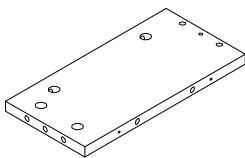
2 pcs

⑥



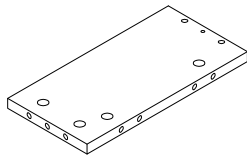
2 pcs

⑦



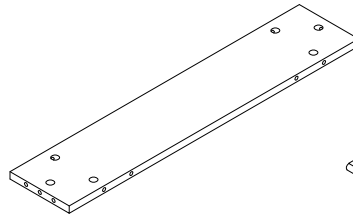
1 pc

⑧



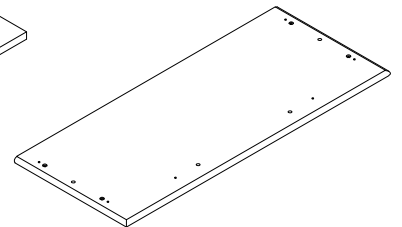
1 pc

⑨



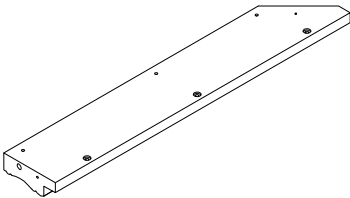
1 pc

⑩



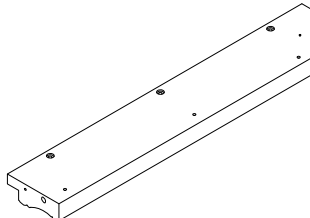
1 pc

⑪



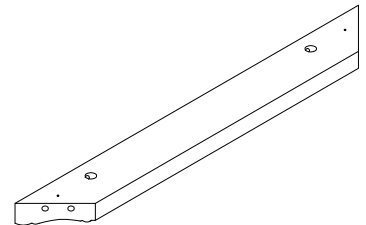
1 pc

⑫



1 pc

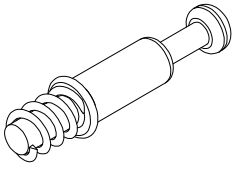
⑬



1 pc

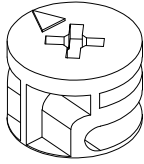
Contents

A



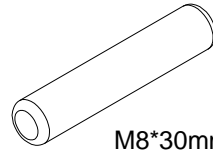
26 pcs

B



26 pcs

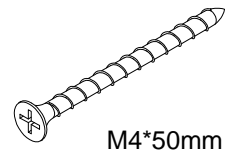
C



M8*30mm

34 pcs

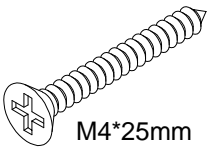
D



M4*50mm

10 pcs

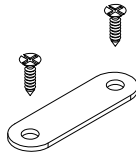
E



M4*25mm

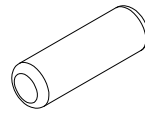
6 pcs

F



2 pcs

G



M8*20mm

4 pcs

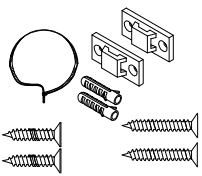
H



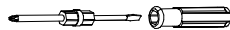
M4*12mm

6 pcs

I

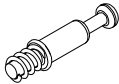


2 pcs

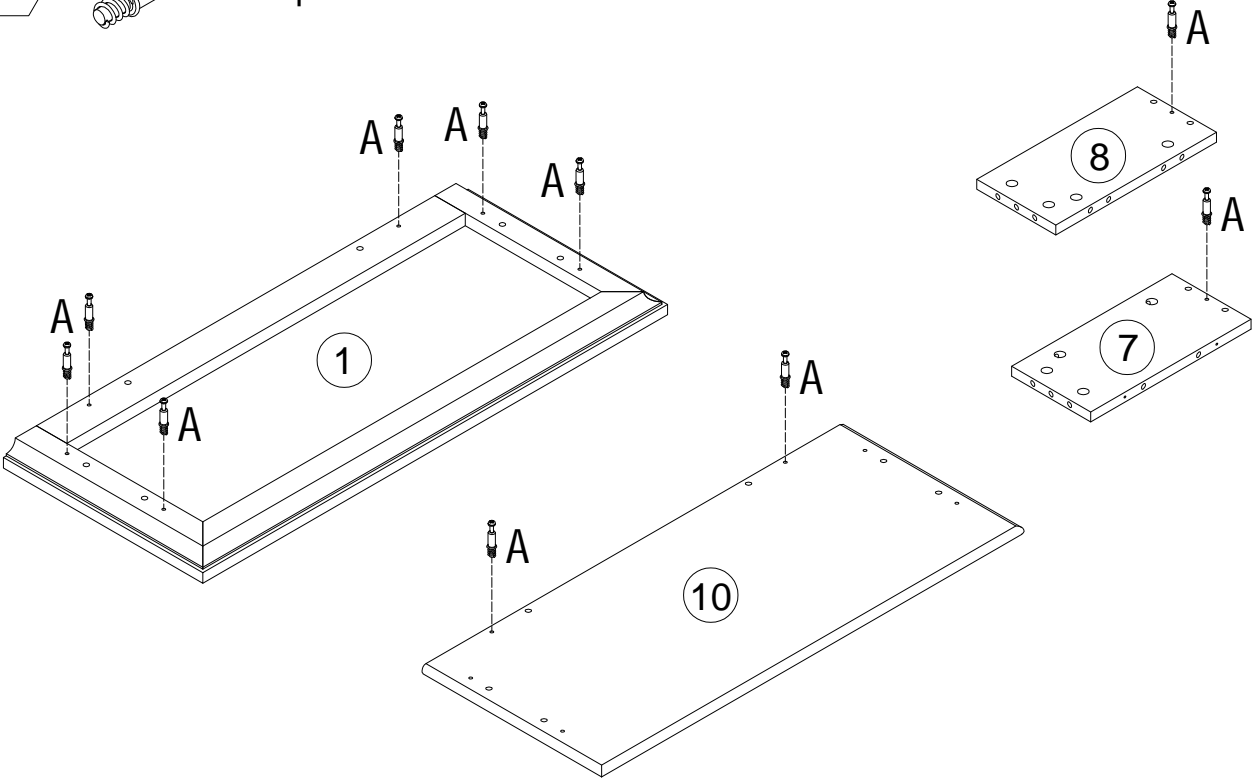


1pc

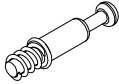
Step 1



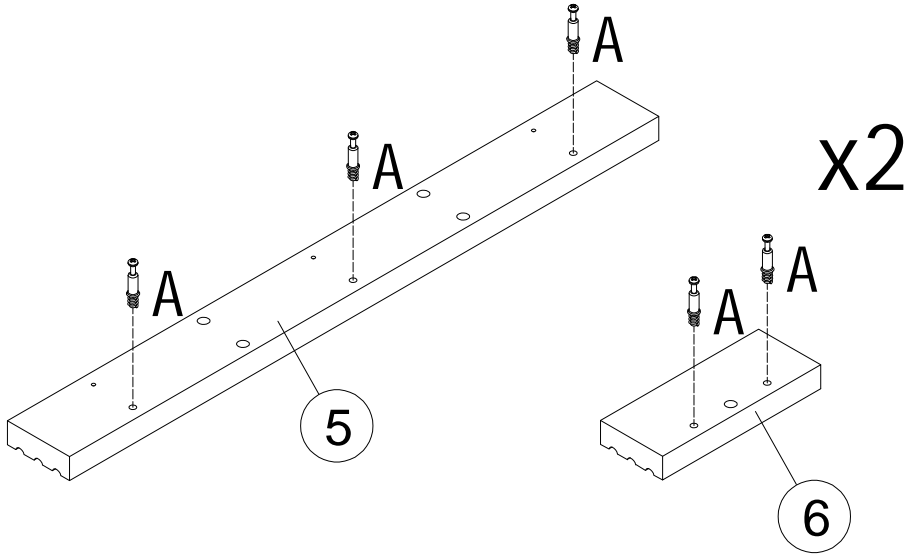
10pcs



Step 2

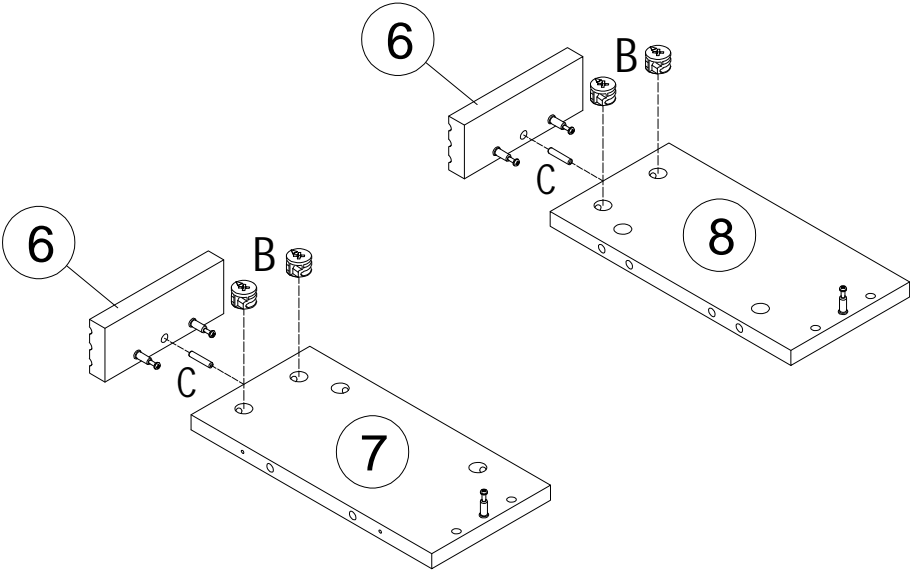


10pcs



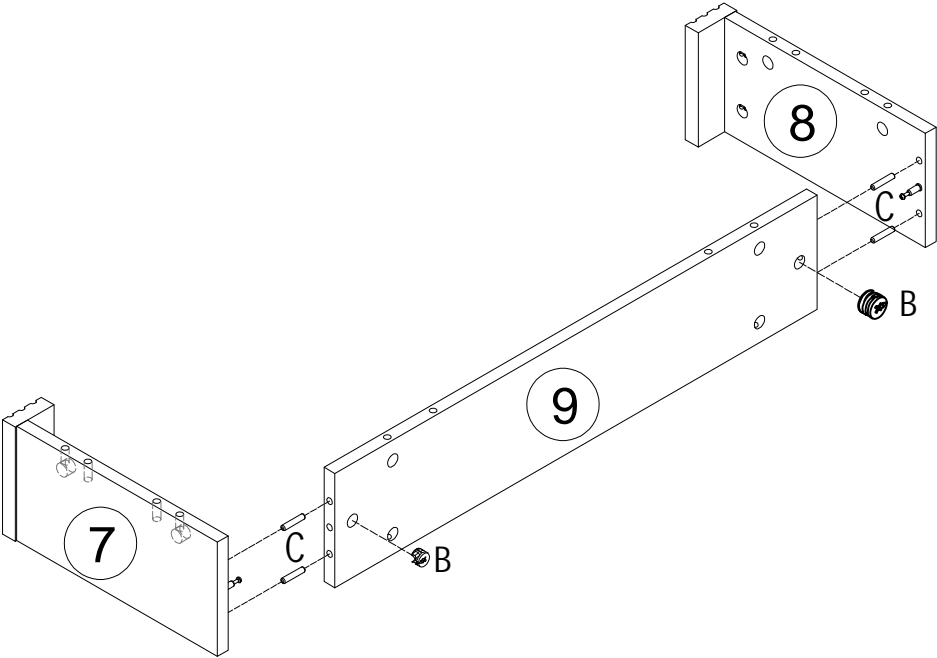
Step 3

  4pcs   2pcs




Step 4

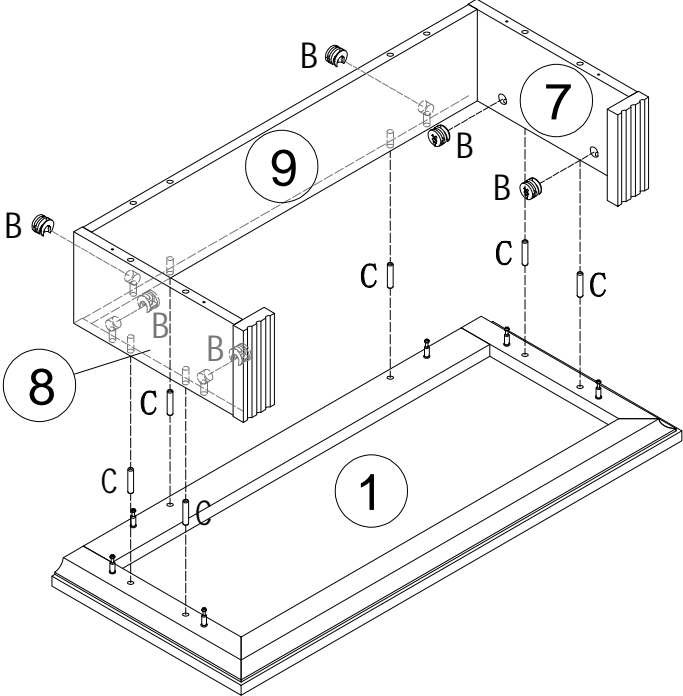
  2pcs   4pcs






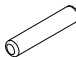


Step 5

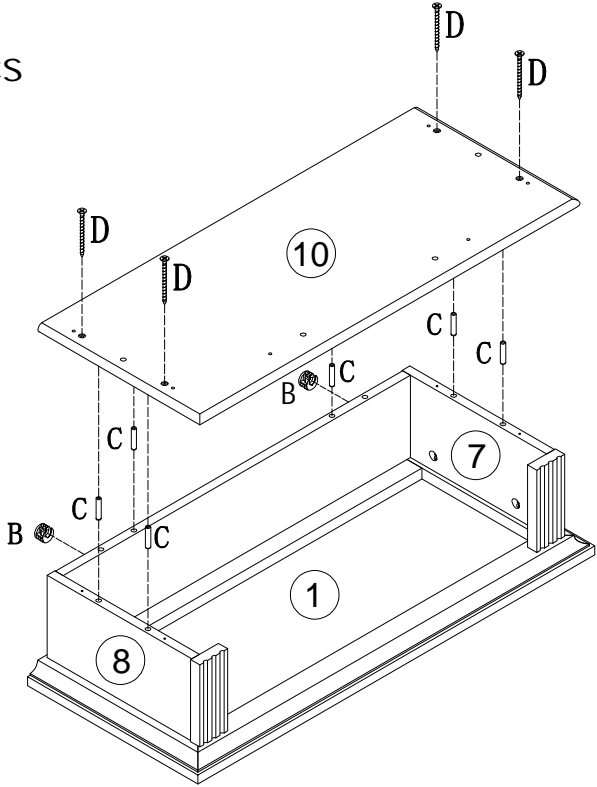
- 

6pcs
- 

6pcs



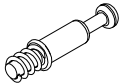
Step 6

- 

2pcs
- 

6pcs
- 

4pcs

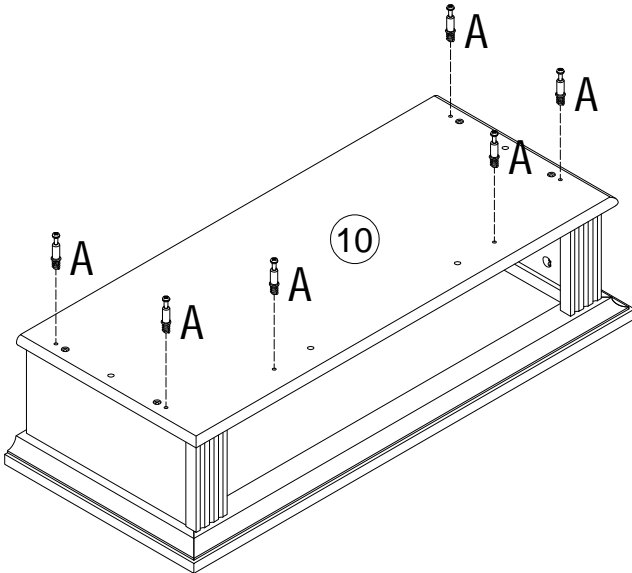


Step 7

A

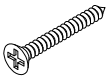


6pcs



Step 8

E

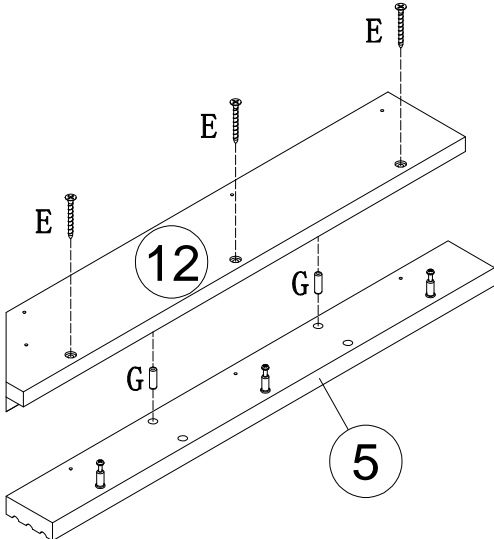
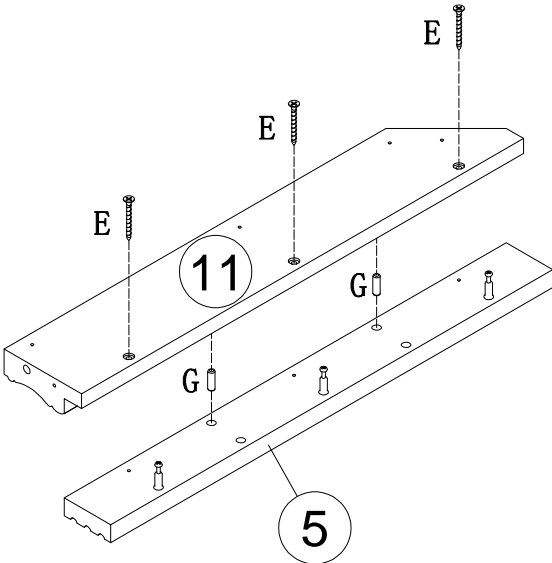


6pcs





G

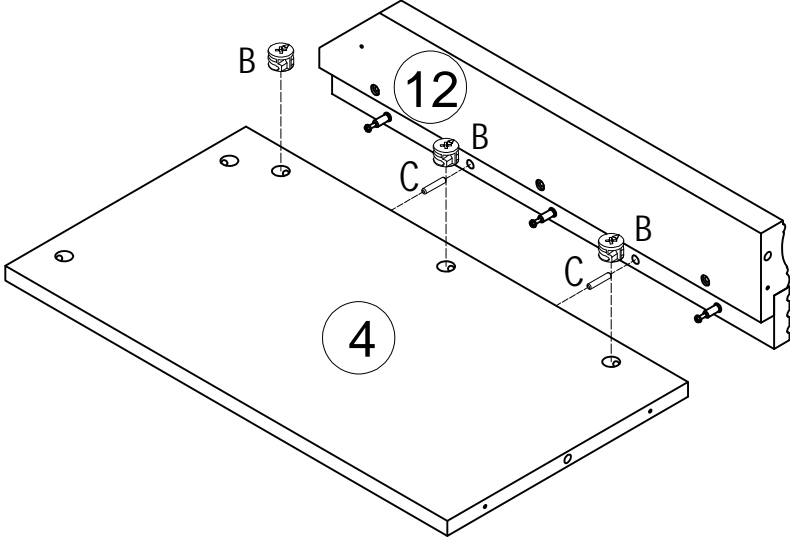


4pcs




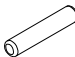


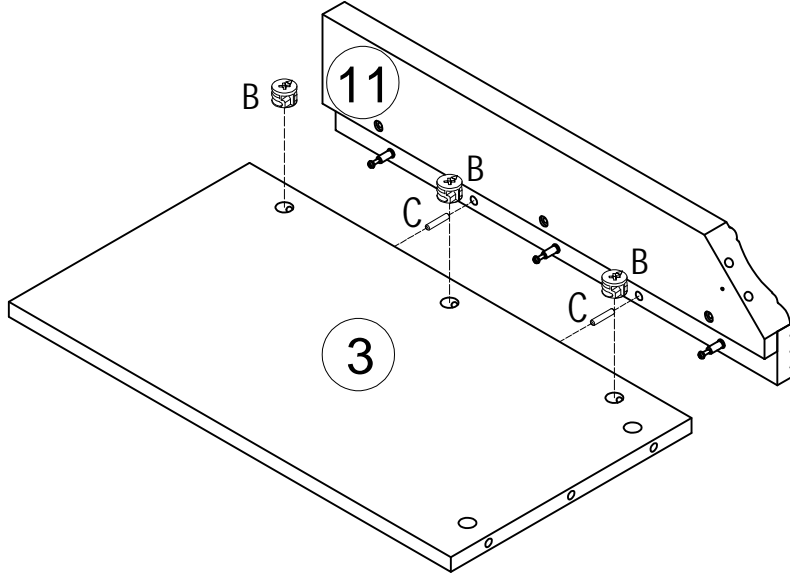
Step 9

  3pcs   2pcs



Step 10

  3pcs   2pcs



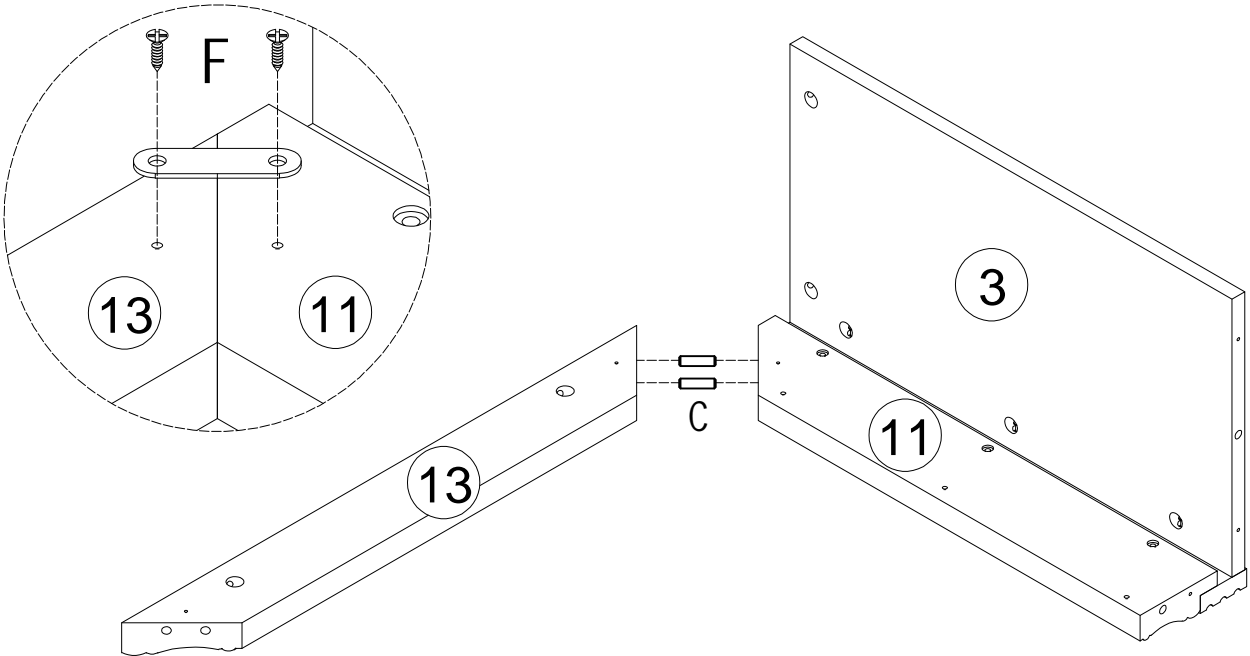
Step 11



2pcs



1pc



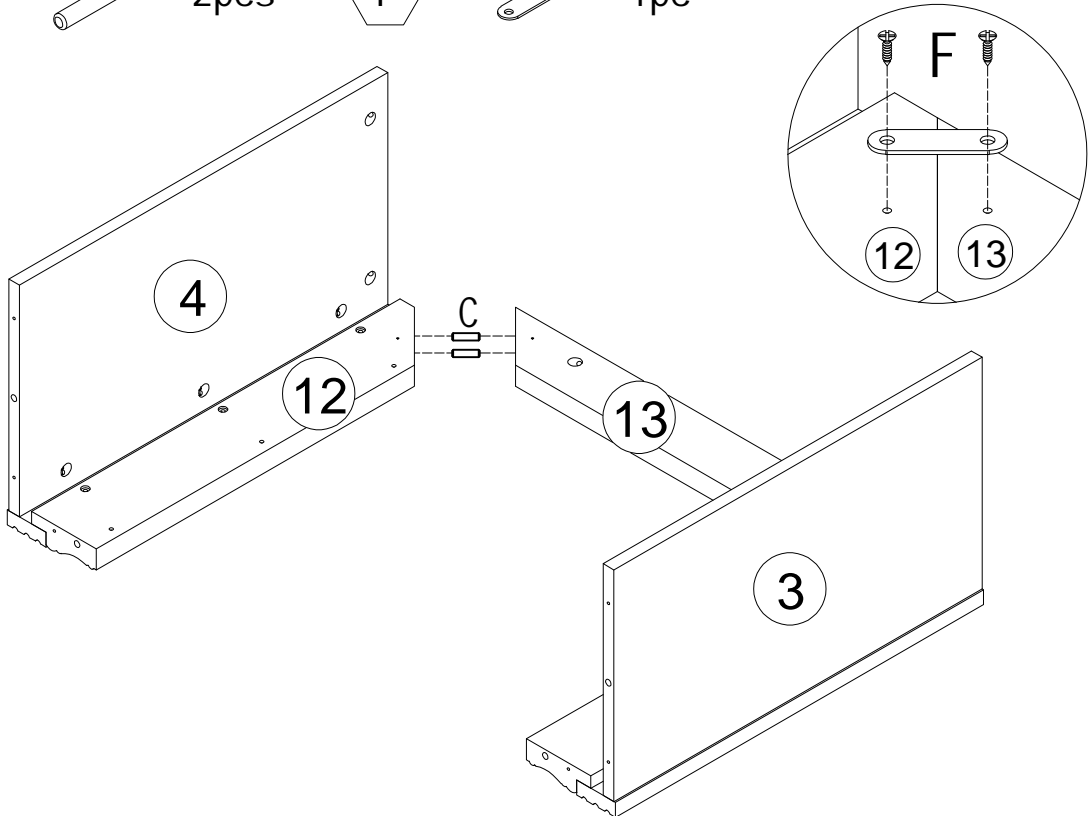
Step 12



2pcs



1pc



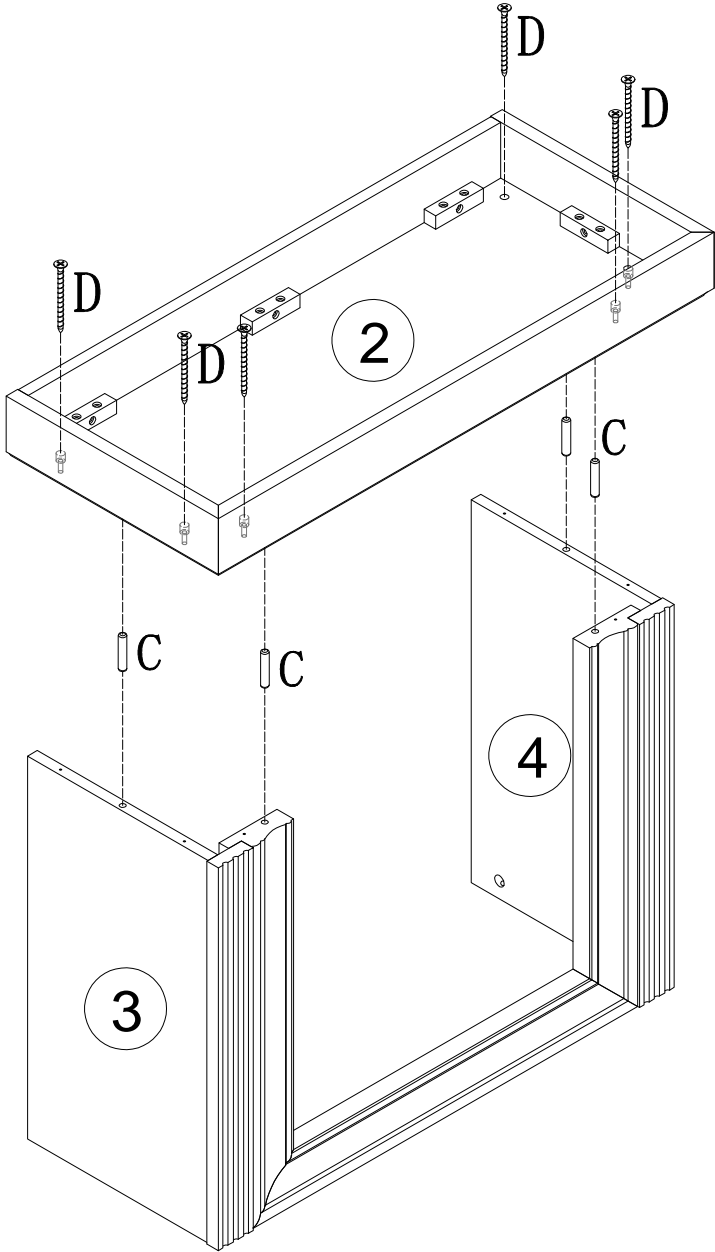
Step 13



4pcs



6pcs



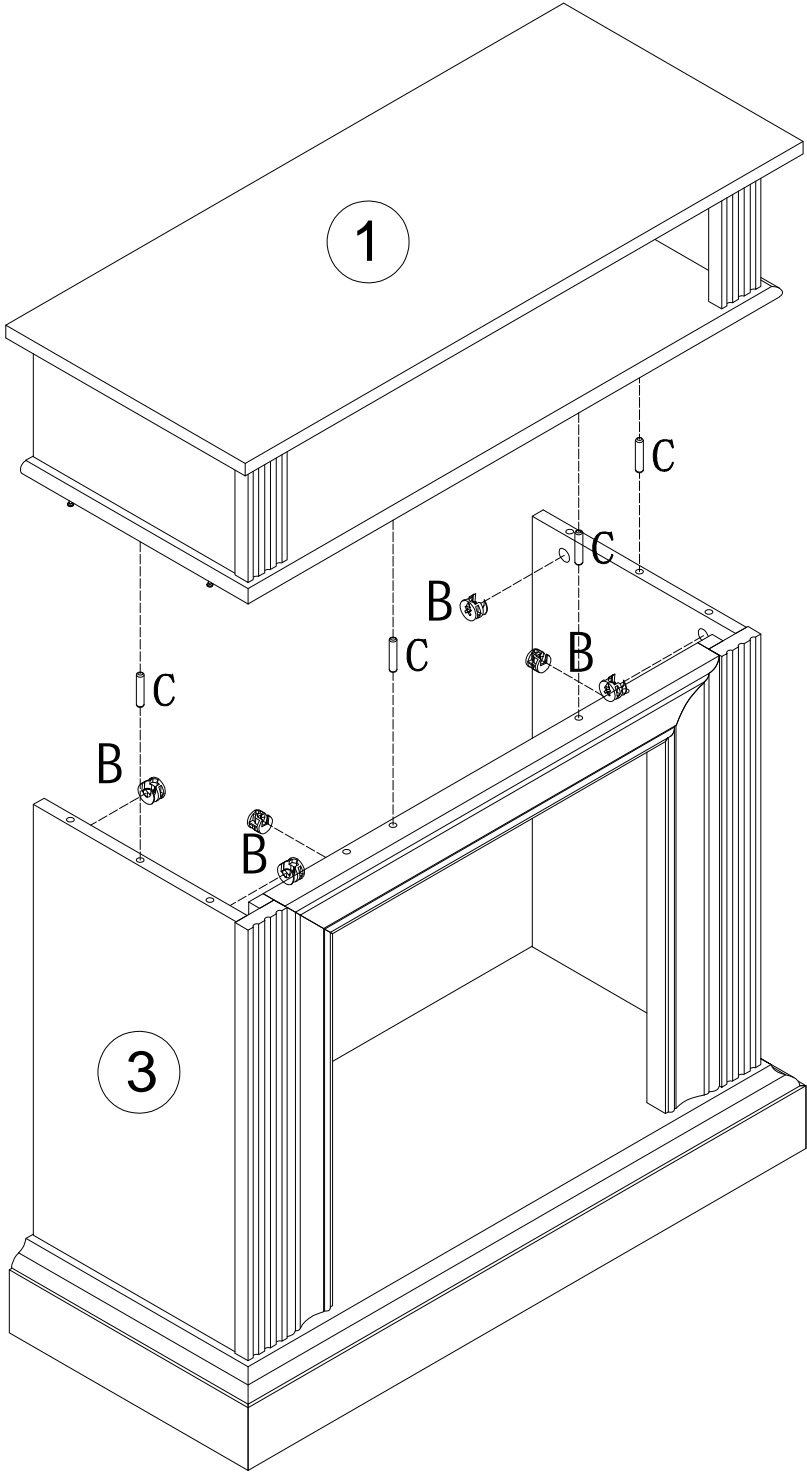
Step 14



6pcs



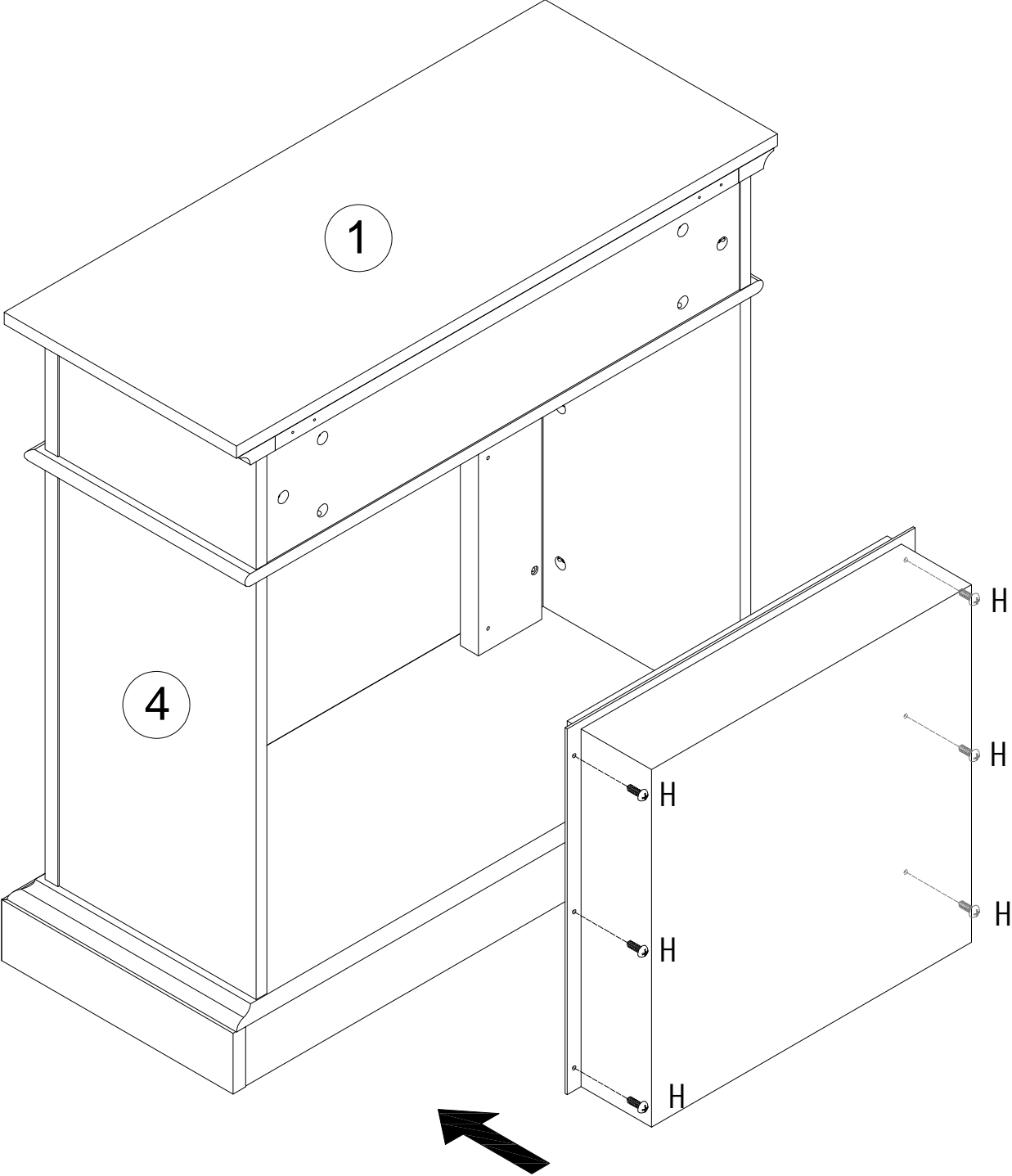
4pcs



Step 15

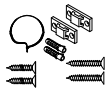


6pcs

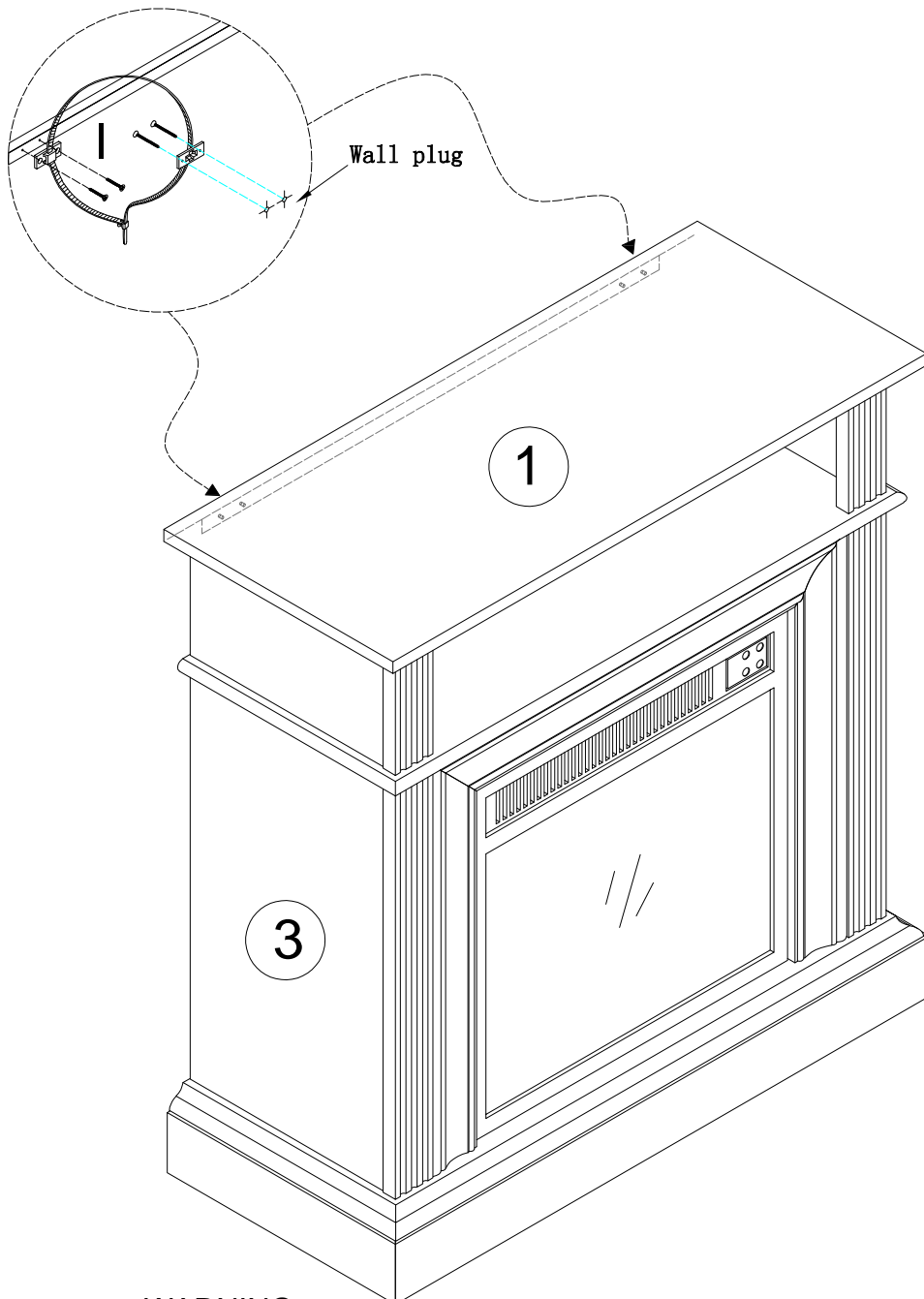
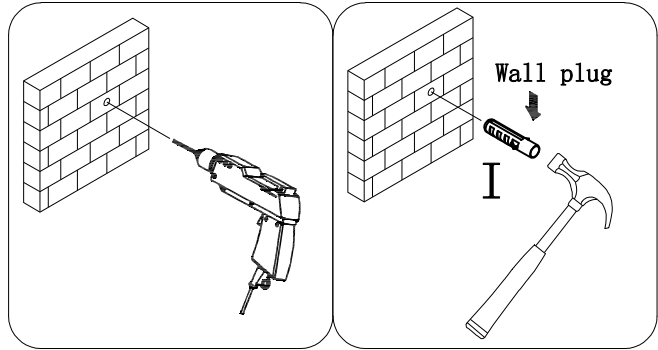


Step 16

I



2pcs



WARNING

Serious or fatal injuries can occur from furniture tipping over. To prevent the furniture from tipping over we recommend that it is permanently fixed to the wall. Wall anchor and hardware are included with this product. Please make sure hardware is suitable for your walls before installing, as different wall materials may require different types of anchors.

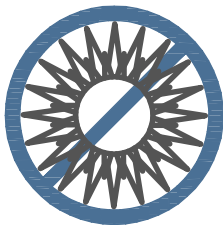
MAINTENANCE TIPS



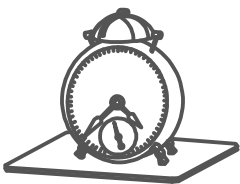
Never let liquids or damp cloths sit on this furniture.



Never use chemical cleaning products, as they can damage the finish. For cleaning, use only a slightly damp cloth and wipe dry.



To avoid dulling of the finish, do not place furniture in direct sunlight.



Do not put plastic or rubber rings under appliances. Use cloth or felt protectors.



To clean, use a soft or slightly damp cloth, then wipe with a clean, dry cloth.

FURNITURE CARE AND MAINTENANCE

Medium-Density Fiberboard

Thank you for your purchase. We want your item to last as long as possible. To ensure that the product serves you well for years, please refer to this care and maintenance guide.



MAINTENANCE

- Tighten all bolts and screws again within the first 2 weeks of assembly.
- Check the tightness of all bolts every 2 months, tighten them if necessary.



CLEANING

- Clean the surface of the MDF (medium -density fiberboard) with a lightly dampened cloth.
- Small amount of mild soap can be used if necessary.
- Dry the surface immediately after cleaning.

⚠ DO NOT use bleach or alcohol detergent to clean the surface.

⚠ DO NOT apply wood treatment on parts made with MDF.

Medium-density fiberboard will swell and distort when subjected to water damage. Make sure to dry the furniture immediately after cleaning

⚠ WARNING

The manufacturer and seller expressly disclaim any and all liability for personal injury, property damage, or losses, whether direct, indirect, or incidental, resulting from the incorrect attachment, improper use, inadequate maintenance, unauthorized modification, or neglect of this product.

Warranty

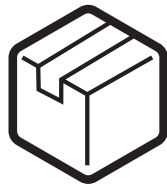
Our products come with 30 days warranty from the date of purchase. In any event that the product arrives damaged or missing parts, we are more than happy to provide you with replacement part(s). **Register your product on our website to enjoy extended warranty!!**

Easy Return

We work hard to make sure that order arrives safely and securely. But rest assured, we will take care of it if it is not up to standard. If you need replacement parts, please contact us, and we will send you replacements with no hassle



Contact Us



Replacement



You