
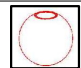
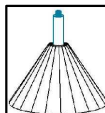
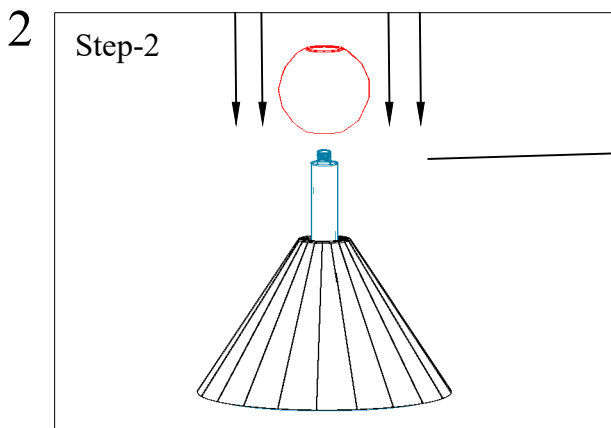
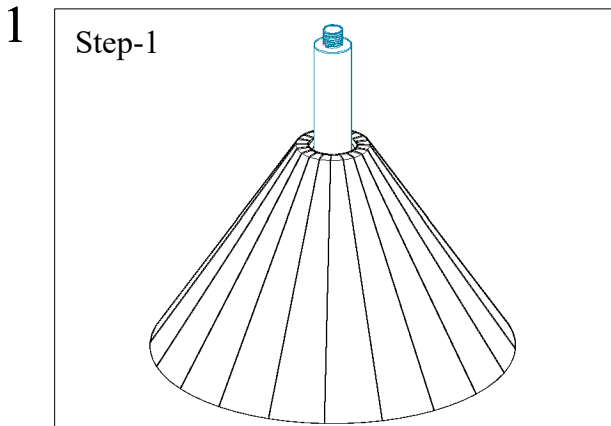


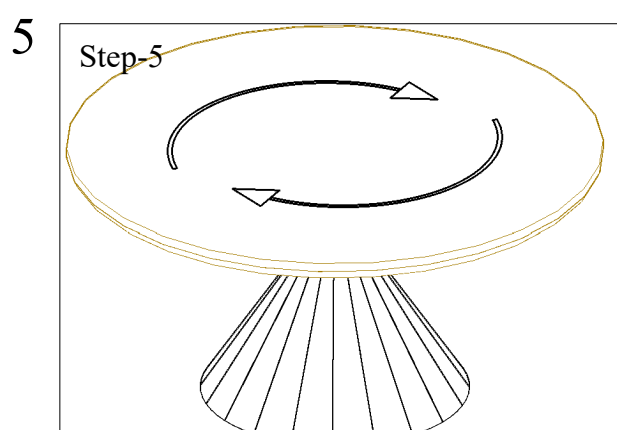
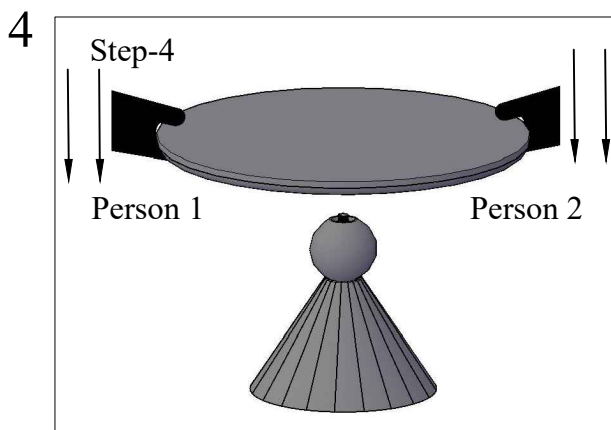
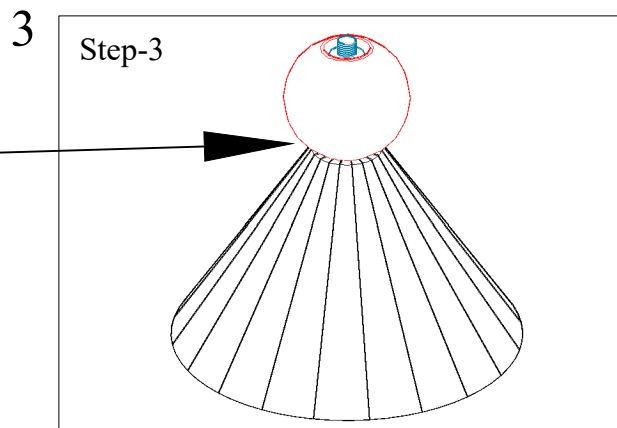
## ASSEMBLY INSTRUCTION

### Dining Table

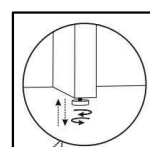
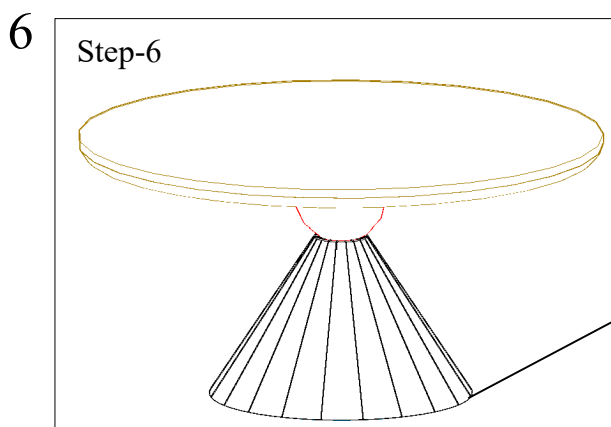
S. No.	Product Image	Description	Qty.
1.		Wood Top	1
2.		Marble Ball	1
3.		Base	1



Note:- Place the Marble Ball carefully aligning the center.



Note:- Place the top on the center marble with the help of another pair of hands. once it is on the place, fasten the same clockwise slowly until it is completely tight .



Note-  
Level Adjustment-In case the item is not leveled ,you can use the levelers to adjust.