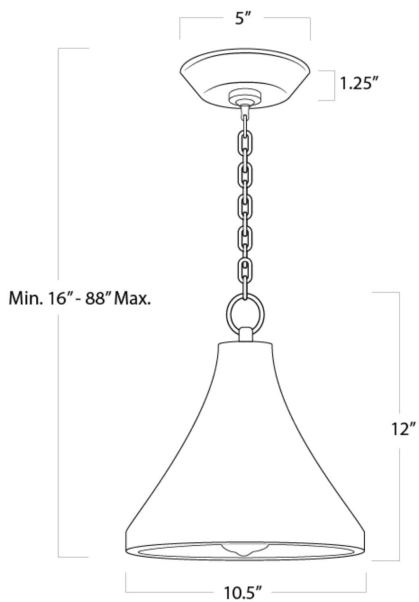


REGINA ANDREW

DETROIT

SPECIFICATION SHEET

Billie Concrete Pendant Small 16-1322



HEIGHT	16
WIDTH	10.5
DEPTH	10.5
SHADE DIMS	N/A
SHADE COLOR	N/A
BULB QTY	1
BULB TYPE	A Type Medium Base (E26)
SOCKET	E26 Keyless
WATTAGE	60 Watt Max
WIRING TYPE	Hard Wire
MATERIAL	Concrete
FINISH	N/A
NOTES	10 ft of cord 6 ft of chain
FREIGHT ONLY	No