
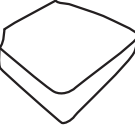
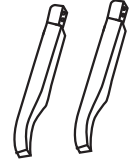

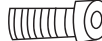

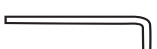

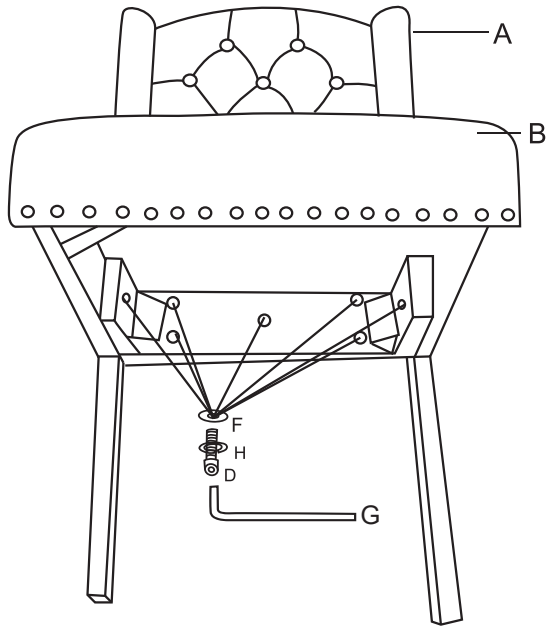


	Ax1 BACK	Bx1 SEAT	Cx2 FRONT LEGS	Dx7 SCREWS	Ex4 SCREWS	Fx11 WASHER	Gx1 SPANNER	Hx11 SPRING WASHER
				 M8x55mm	 M8x60mm			

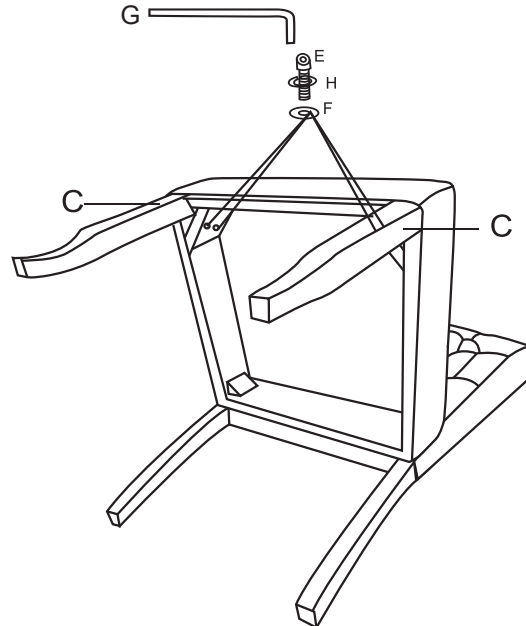
### STEP1



Loosely install the center bolt first, then loosely install both sides

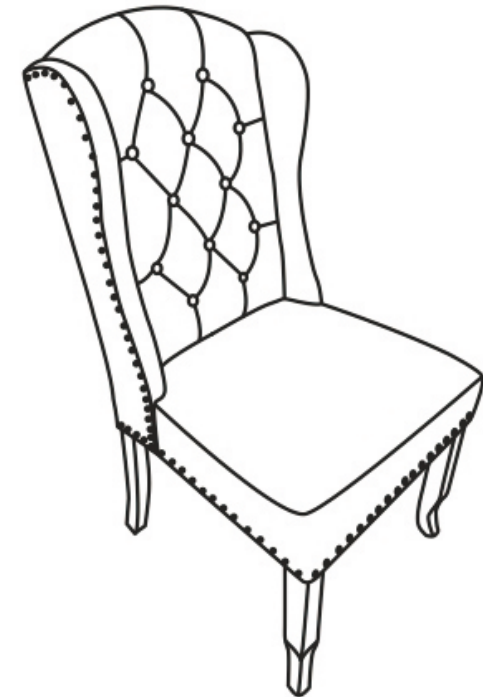
### STEP2

Firm pressure is required to push legs into the leg pockets



Tighten all bolts properly on even ground

## ASSEMBLY INSTRUCTION



CLEANING OF PU/LEATHER COVER - WIPE CLEAN WITH A SOFT CLOTH MOISTENED WITH WATER AND NEUTRAL DETERGENT. DO NOT USE BLEACH, CHEMICAL OR BIOLOGICAL CLEANERS.