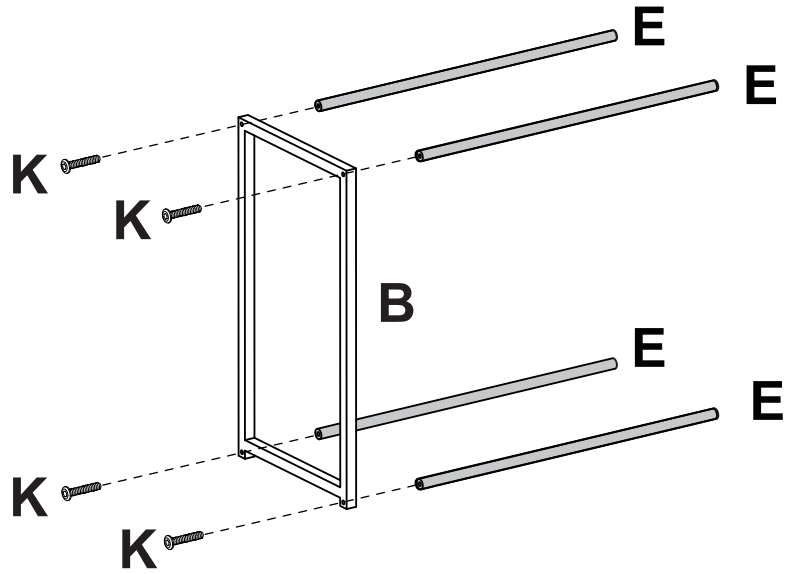


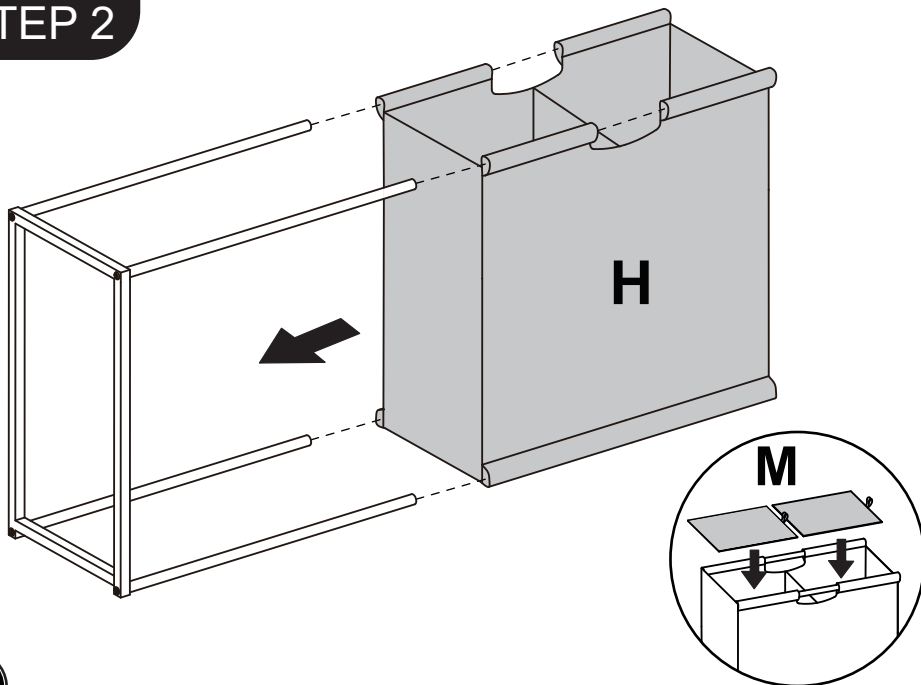
Laundry Basket

Contact Email: saksunstore@outlook.com

STEP 1

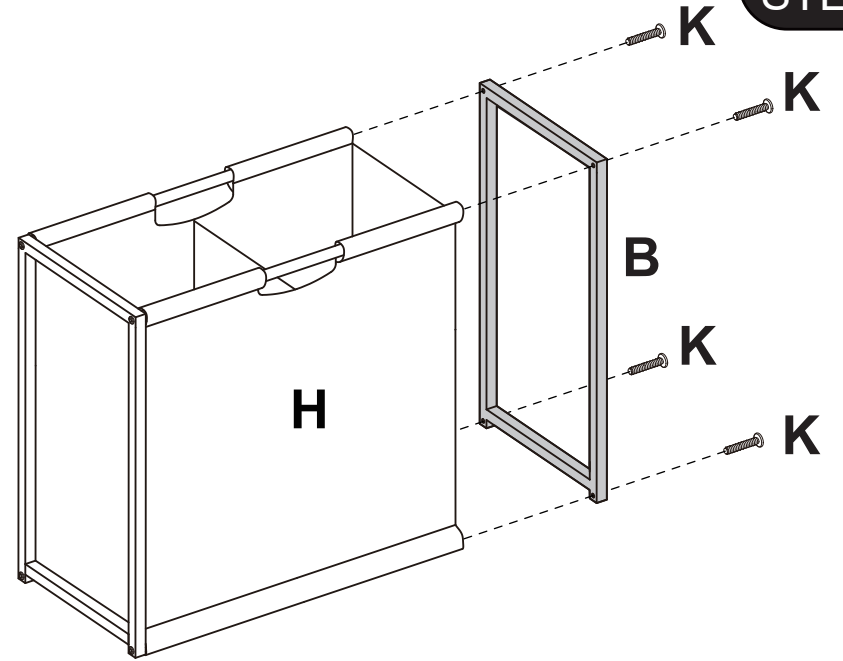


STEP 2

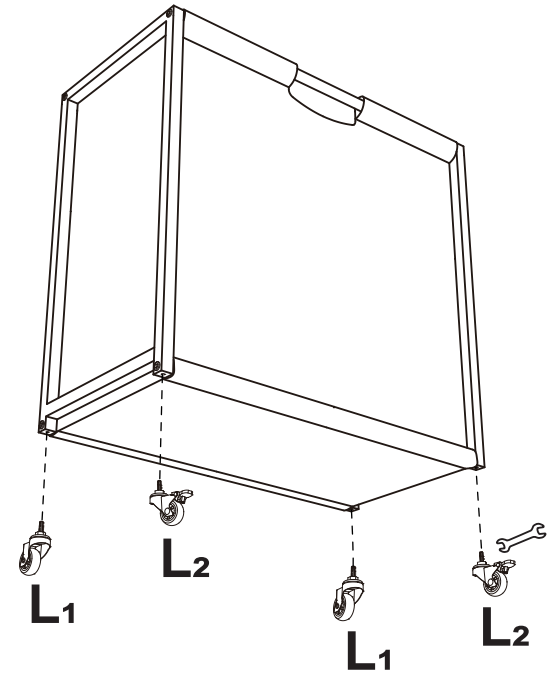


1

STEP 3



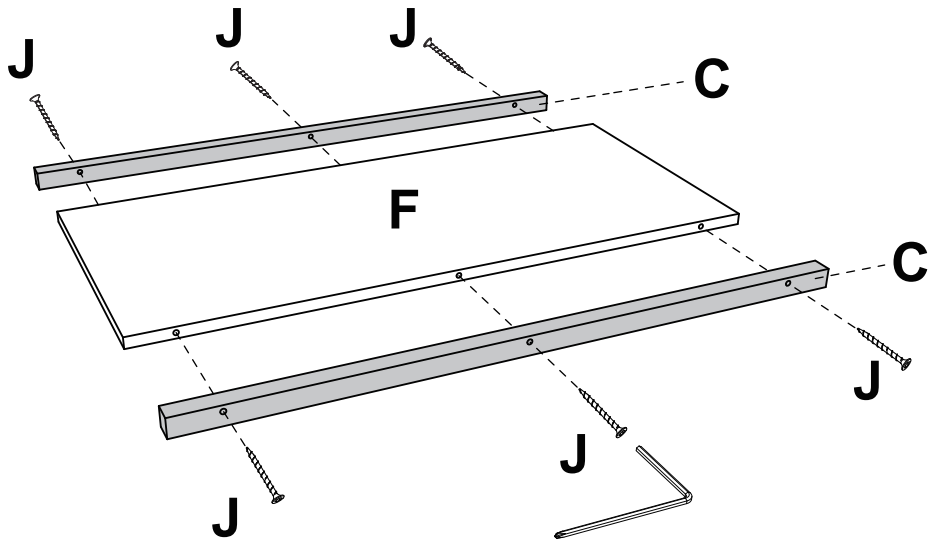
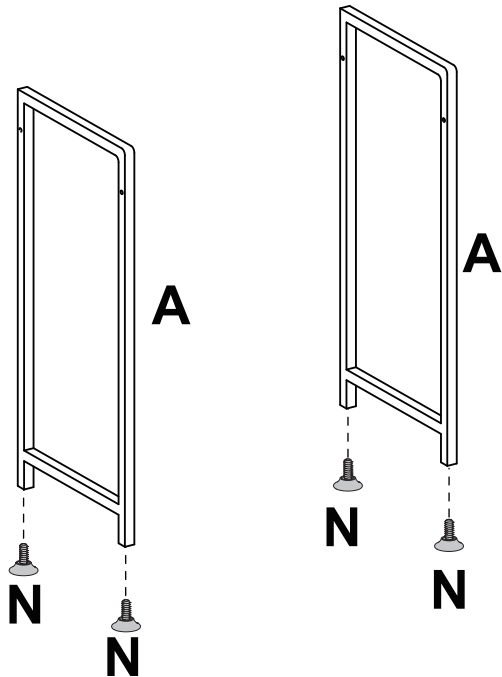
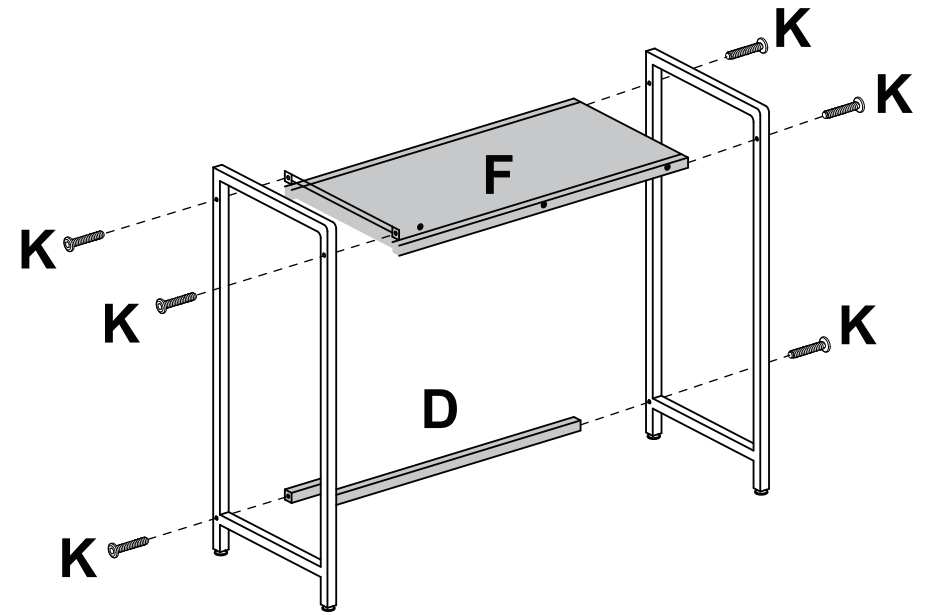
STEP 4



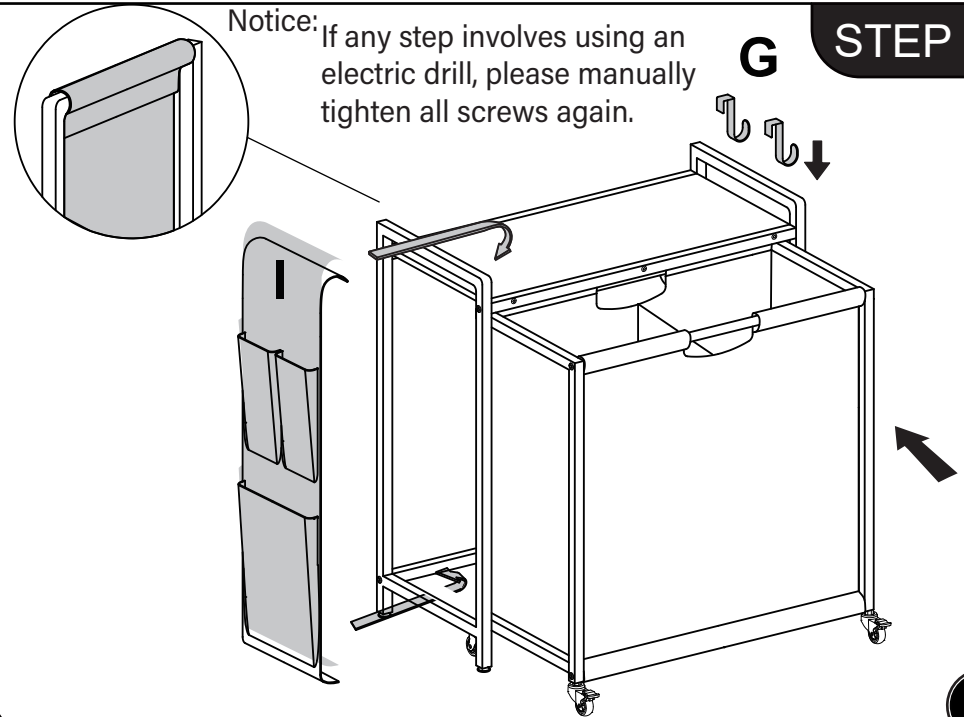
2

STEP 5

Do not use an electric drill in this step, screwing by hand will be tighter.

**STEP 6****3****STEP 7**

Notice: If any step involves using an electric drill, please manually tighten all screws again.

STEP 8**4**