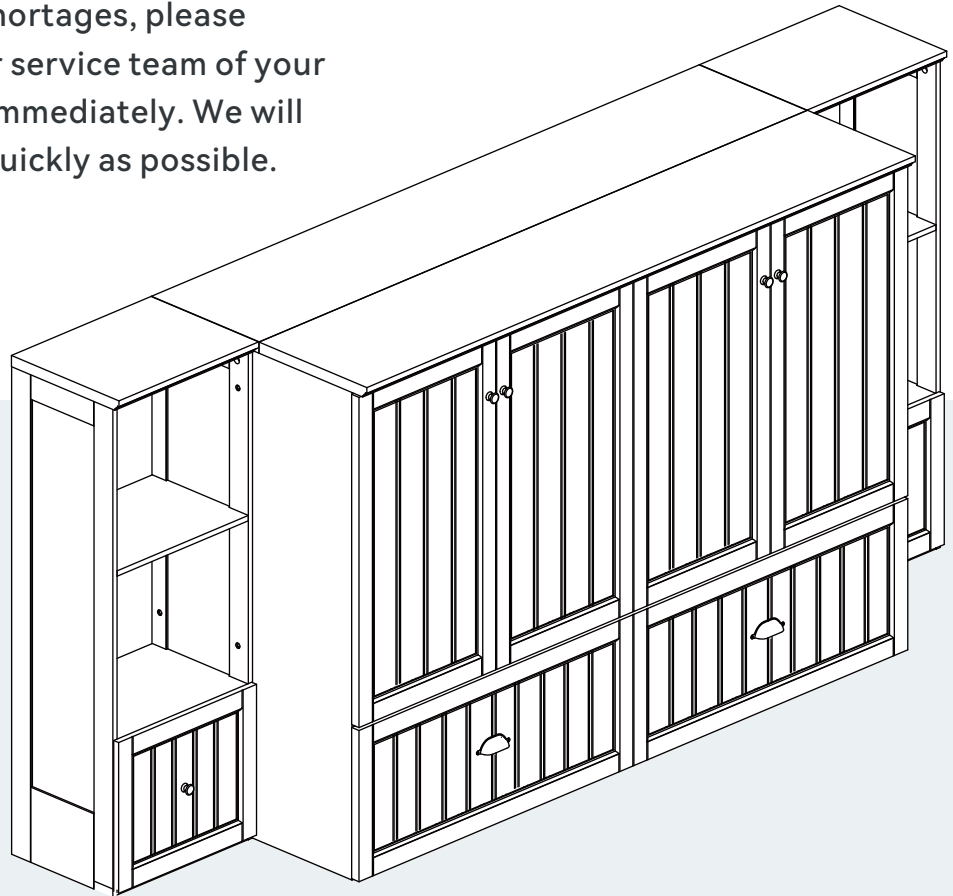


# Murphy Bed

Assembly Instruction – Please keep properly for future reference.

If you find any missing boxes, damaged parts, or accessory shortages, please contact the customer service team of your purchasing channel immediately. We will resolve the issue as quickly as possible.



## Dimensions

Width - 86.7 inch  
Depth - 23.6 inch  
Height - 41 inch

Arrive in 2 separate boxes and may not be part of the same shipment; Please install the product after receiving all the packages.

## CONTACT US

- In order to receive assistance more quickly, please provide

## THE FOLLOWING INFORMATION:

- Order number
- Purchase platform
- Purchase date
- Detailed description of the issue along with photos (if applicable)

**Important** – Please read these instructions carefully before starting the installation.

EN



# Safety and Care Advice

**Important – Please read these instructions fully before starting assembly**

- Check you have all the components and tools listed on the following pages.
- Remove all fittings from the plastic bags and separate them into their groups.
- Keep children and animals away from the work area, small parts could choke if swallowed.
- Make sure you have enough space to layout the parts before starting.

- During assembly do not stand or put weight on the product, this could cause damage.
- Assemble the item as close to its final position (in the same room) as possible.
- Assemble on a soft level surface to avoid damaging the unit or your floor.
- Parts of the assembly will be easier with 2 people.



- To reduce the likelihood of damaging your product please ensure that your power drill is set on a low torque setting.

## Care and maintenance

- Only clean using a damp cloth and mild detergent, do not use bleach or abrasive cleaners.
- From time to time check that there are no loose screws on this unit.
- This product should not be discarded with household waste. Take to your local authority waste disposal centre.

## Handy Hints

- Assemble all parts and bolts loosely during assembly, only once the product is complete should you fully tighten the bolts
- Regularly check and ensure that all bolts and fittings are tightened properly.

## **WARNING**

**In order to help prevent overturning – please follow these instructions**

To help prevent product toppling over please follow the below steps:

Use the anti tip strap or wall fixing method provided (if applicable)  
Do not allow children to climb or hang on the furniture  
Do not open more than one drawer at a time  
Do not place heavy items in the top drawers  
Do not place heavy items on top of the furniture, unless the furniture has been designed for this purpose

Please note that only the anti tip strap is provided.  
You will need to provide wall plugs and screws applicable for your wall type



## Safety Instructions / Warnings

**Please read and follow all instructions carefully before installation and use.**

- **WARNING: Risk of electric shock – Do not open or disassemble electrical parts.**
- **Use only the power cord specifically provided for this product.**  
**Plug rating: 12A 125V 60Hz 1500W. USB output: 5VDC Max. 2.1A.**
- Do not use with damaged power cords or plugs.
- Keep power cables away from moving or sharp parts of the furniture.
- Do not use extension cords or power strips unless specifically approved for the load.
- This product is **not a toy**. Do not allow children to play with electrical components or moving parts.
- Children under 8 years old must be kept away from the furniture unless continuously supervised.
- Keep remote controls, control switches, and ports **out of children's reach**.
- Always **disconnect the product from power** before cleaning, maintenance, or relocation.
- Do not attempt to open, modify, or repair electrical components.
- **Repairs must be performed by qualified professionals only.**
- Do not insert any foreign objects into openings or mechanisms.
- Clean with a dry cloth or a slightly damp soft cloth. Do not use solvents.
- This product is intended for **indoor use only** in dry environments.
- Do not expose the furniture to moisture, liquids, or direct sunlight.
- Ensure stability and clearance around any moving parts (e.g., lift mechanisms, recliners).
- Do not overload power outlets or USB ports beyond the specified ratings.

### FCC Information

CAUTION: Changes or modifications not expressly approved by the party responsible for compliance could void the user's authority to operate the equipment!

This device complies with Part 15 of the FCC Rules. Operation is subject to the following two conditions:

1. This product may cause harmful interference.
2. This product must accept any interference received, including interference that may cause undesired operation.

WARNING: Changes or modifications to this product not expressly approved by the party responsible for compliance could void the user's authority to operate the product.

Note: This product has been tested and found to comply with the limits for a Class B digital device pursuant to Part 15 of the FCC Rules, These limits are designed to provide reasonable protection against harmful interference in a residential installation.

This product generates, uses and can radiate radio frequency energy, and if not installed and used in accordance with the instructions, may cause harmful interference to radio communications. However, there is no guarantee that interference will not occur in a particular installation. If this product does cause harmful interference to radio or television reception, which can be determined by turning the product off and on, the user is encouraged to try to correct the interference by one or more of the following measures.

- Reorient or relocate the receiving antenna.
- Increase the distance between the product and receiver.
- Connect the product to an outlet on a circuit different from that to which the receiver is connected.
- Consult the dealer or an experienced radio/TV technician for assistance.

# CUSTOMER SERVICE GUIDE

Thank you for choosing our product! We are committed to providing you with excellent service. If you find any missing parts, damaged packaging, or product damage after receiving all packages, please follow the steps below to quickly contact our customer service team. We will do our best to resolve your issue.

## 1. Missing Parts

### Verify Parts:

1. Refer to the “Parts List” in the manual to verify the name, specifications, and quantity of the missing parts.
2. Take a clear photo of the parts list and mark the missing parts with detailed information, e.g., “Missing 5 pieces of M6x30mm screws.”

### Contact Us:

- By Email:

Send an email with the subject line “Missing Parts Issue.” Include the following in the email:

- A description of the missing parts and a photo of the parts list.
- Order details (order number, purchase platform, purchase date).

## 2. Product or Packaging Damage

### If it affects normal use:

#### Steps:

1. Take clear photos or videos showing the damaged parts and the extent of the damage (multi-angle shots are recommended).
2. Email the photos/videos along with other details with the subject line “Product Damage Issue.”

#### Resolution:

After verification, we will arrange for a replacement part, product exchange, or refund as quickly as possible.

### If it does not affect normal use:

#### Steps:

1. Contact our customer service team
2. Provide a description of the damage and include relevant photos or videos.

#### Resolution:

We will provide repair guidance or an appropriate compensation plan based on the specific situation.

## Helpful Tips

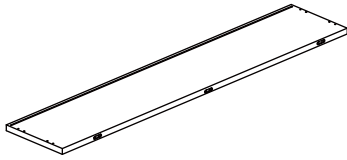
To process your issue efficiently, please prepare the following information:

- Order details (order number, purchase platform, purchase date).
- Clear photos or videos.
- We are committed to providing quick and professional solutions, no matter the size of the issue, to ensure your satisfaction.

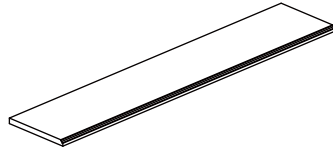
Thank you for your trust and support! We hope you enjoy using our product!

# Parts List - Panels

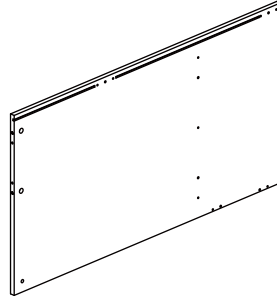
Please check you have all the panels listed below



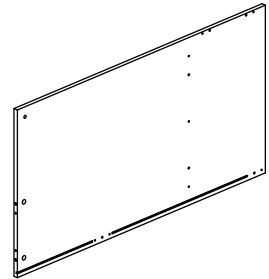
1 (1401\*300\*25mm x1)



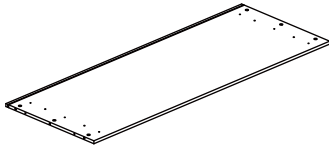
2 (1401\*300\*25mm x1)



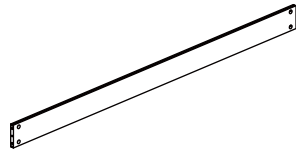
3 (1018\*558\*15mm x1)



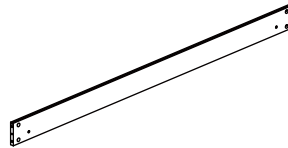
4 (1018\*558\*15mm x1)



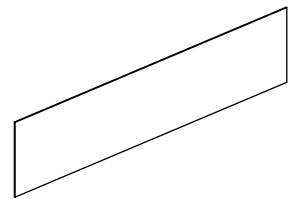
5 (1370\*558\*15mm x1)



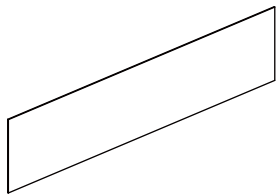
6 (1370\*97\*15mm x1)



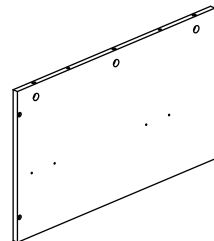
7 (1370\*97\*15mm x1)



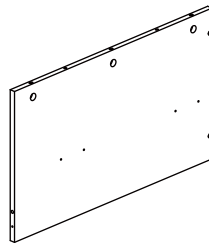
8 (1378\*300\*4mm x2)



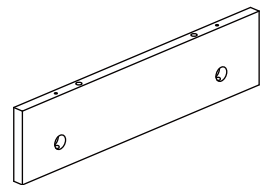
9 (1378\*236\*4mm x1)



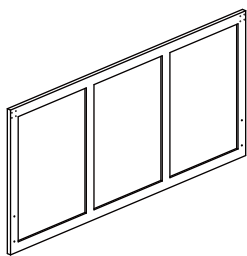
10 (536\*329\*12mm x1)



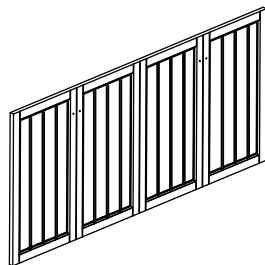
11 (536\*329\*12mm x1)



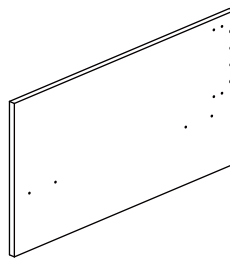
12 (329\*80\*12mm x2)



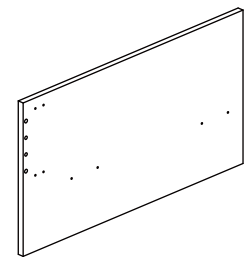
13 (1365\*666\*21mm x1)



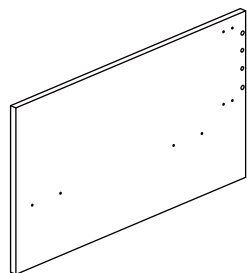
14 (1400\*666\*21mm x1)



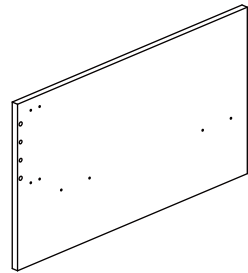
15 (520\*294\*12mm x1)



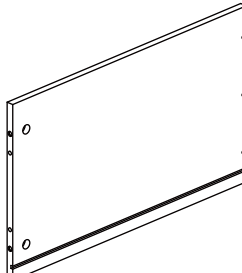
16 (520\*294\*12mm x1)



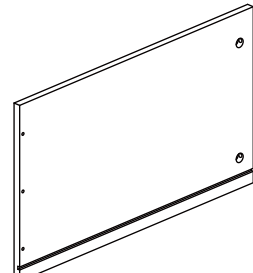
17 (500\*294\*12mm x1)



18 (500\*294\*12mm x1)



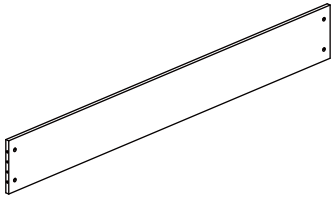
19 (480\*294\*12mm x1)



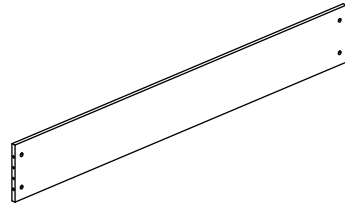
20 (480\*294\*12mm x1)

# Parts List - Panels

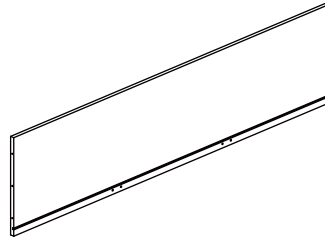
Please check you have all the panels listed below



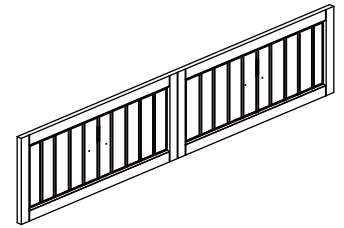
21 (1139\*169\*15mm x1)



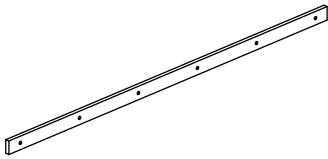
22 (1089\*169\*15mm x1)



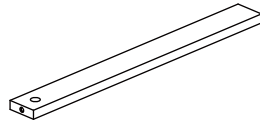
23 (1039\*294\*12mm x1)



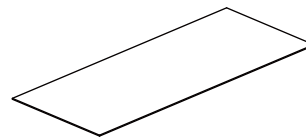
24 (1401\*338\*21mm x1)



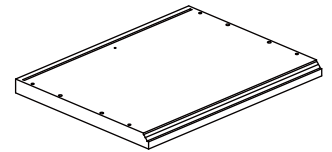
25 (1036\*40\*12mm x1)



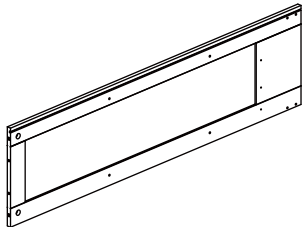
26 (468\*50\*15mm x2)



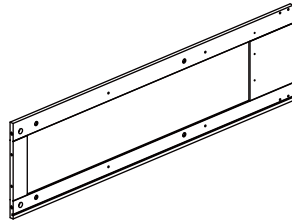
27 (1047\*476\*4mm x1)



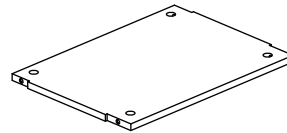
28 (402\*300\*25mm x2)



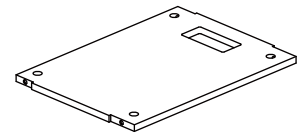
29 (1018\*280\*12mm x1)



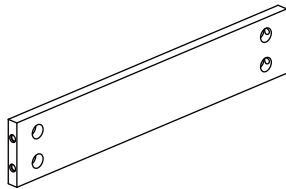
30 (1018\*280\*12mm x1)



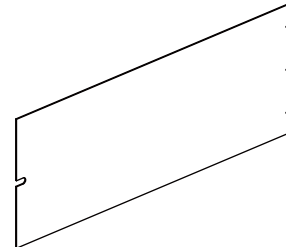
31 (384\*265\*12mm x3)



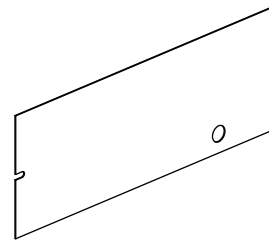
32 (384\*265\*12mm x1)



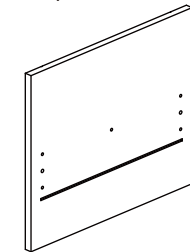
33 (376\*70\*12mm x4)



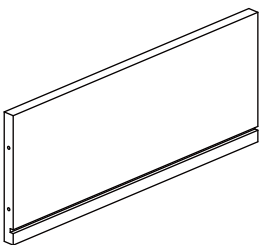
34 (964\*384\*3mm x1)



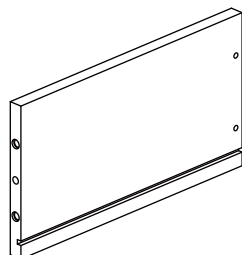
35(964\*384\*3mm x1)



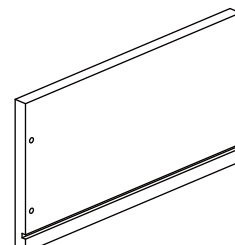
36(395\*337\*15mm x2)



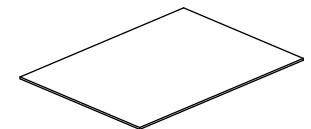
37 (327\*135\*12mm x2)



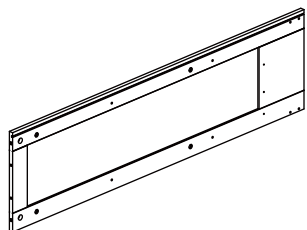
38 (250\*135\*12mm x2)



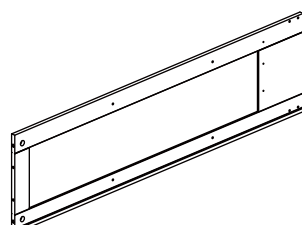
39 (250\*135\*12mm x2)



40 (335\*245\*3mm x2)



41 (1018\*280\*12mm x1)

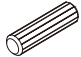
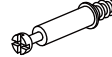

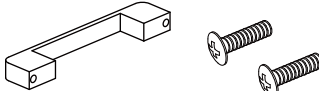


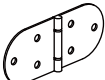
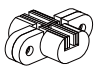
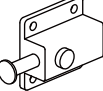
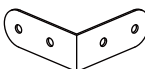
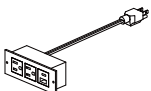
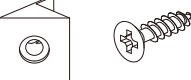


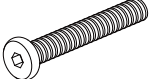


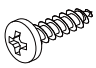
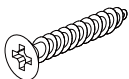

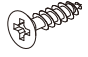
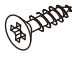
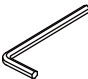
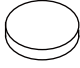
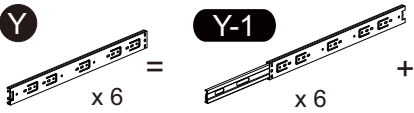
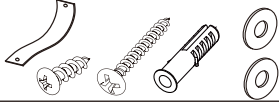

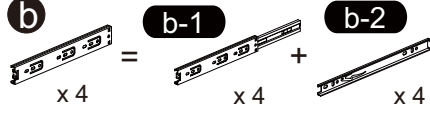

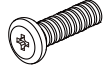
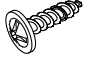

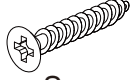
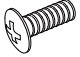
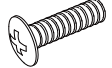


42 (1018\*280\*12mm x1)

# Parts List - Fittings

Please check you have all the fittings listed below

Note: The quantities below are the correct amount to complete the assembly. In some cases more fittings may be supplied are required.

<b>A</b>  6*30mm Wooden Dowel x 50	<b>B</b>  6*35mm Cam Bolt x 82	<b>C</b>  Cam Lock x 82
<b>D</b>  x 2	<b>E</b>  x 6	<b>F</b>  x 12
<b>G</b>  x 8	<b>H</b>  x 3	<b>I</b>  x 2
<b>J</b>  x 8	<b>K</b>  x 1	<b>L</b>  x 26
<b>M</b>  x 8	<b>N</b>  4*20mm Screw x 6	<b>O</b>  6*50 mm Bolt x 8
<b>P</b>  x 8	<b>Q</b>  4*40mm Screw x 16	<b>R</b>  4*14mm Screw x 24
<b>S</b>  3.5*30mm Screw x 12	<b>T</b>  4*16mm Screw x 56	<b>U</b>  4*12mm Screw x 74
<b>V</b>  3*12mm Screw x 26	<b>W</b>  x 1	<b>X</b>  x 4
<b>Y</b>  x 6	<b>Z</b>  x 2	
<b>a</b>  x 2	<b>b</b>  x 4	<b>d</b>  x 16
<b>e</b>  6*18mm Bolt x 8	<b>f</b>  2.5*12mm Screw x 6	<b>g</b>  x 2
<b>h</b>  4*35mm Screw x 8	<b>j</b>  4*12 mm Bolt x 2	<b>m</b>  4*22 mm Bolt x 4

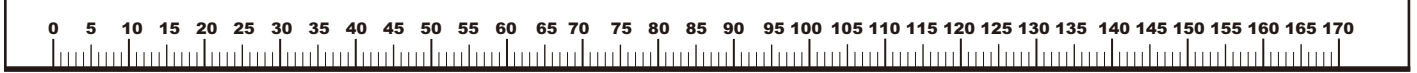
## Tools required



Phillips screwdriver  
(medium & large)

Ruler - Use this ruler to help correctly identify the screws

mm



The screws length is measured from the head to the point (30mm screw shown).



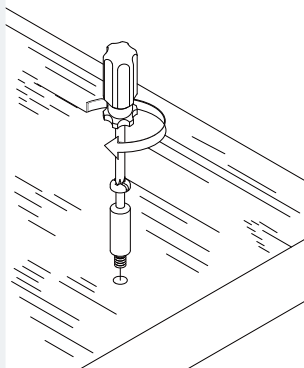
inch

## Using Camlocks

### Step 1

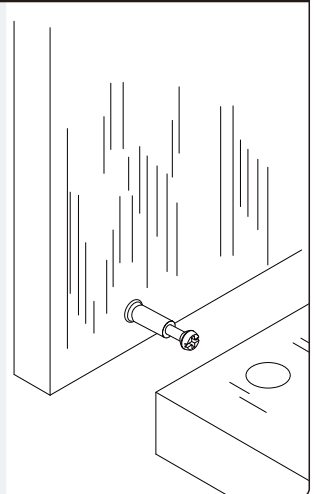
Connect the male camlock as directed in the assembly instructions using a screwdriver.

**DO NOT OVER TIGHTEN.**



### Step 2

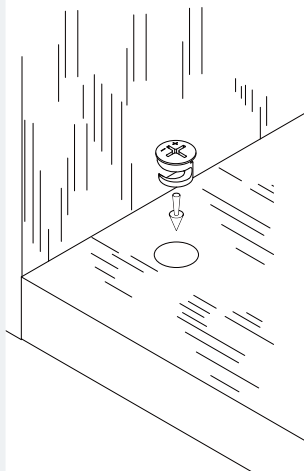
Push the male camlock into the entry hole.



### Step 3

Insert the female camlock as shown in the instructions.

**Note: ensure that the arrow on the top of the camlock points towards the entry hole for the male camlock.**

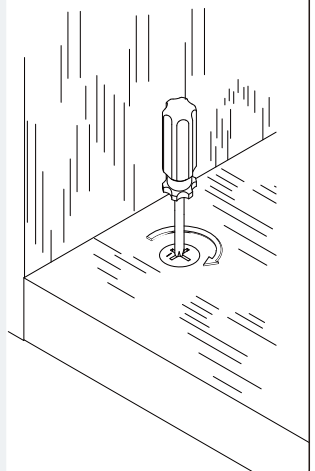


### Step 4

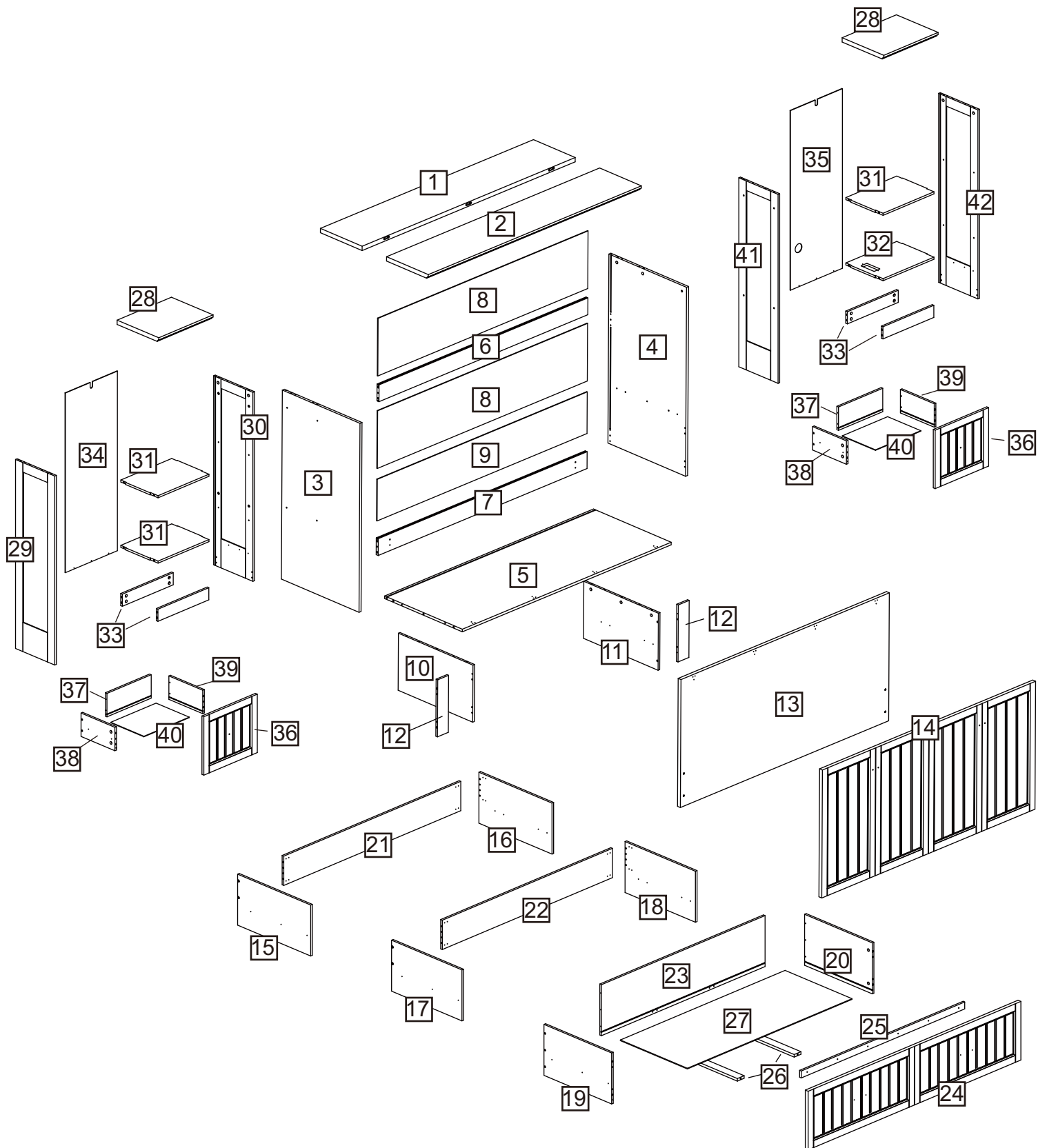
Turn the female camlock clockwise with a screwdriver.

You should feel a click when the camlock is locked in place.

The joint is now secure.

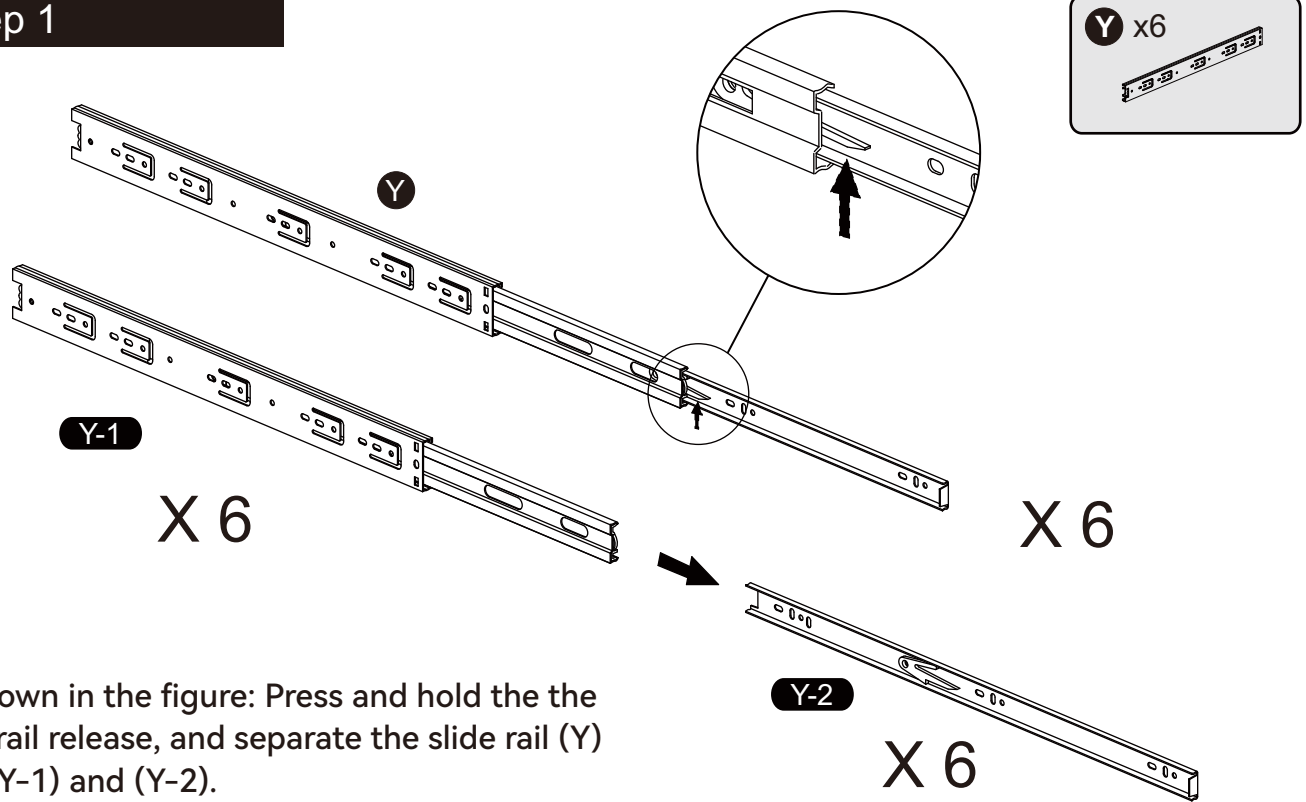


# Assembly Instructions



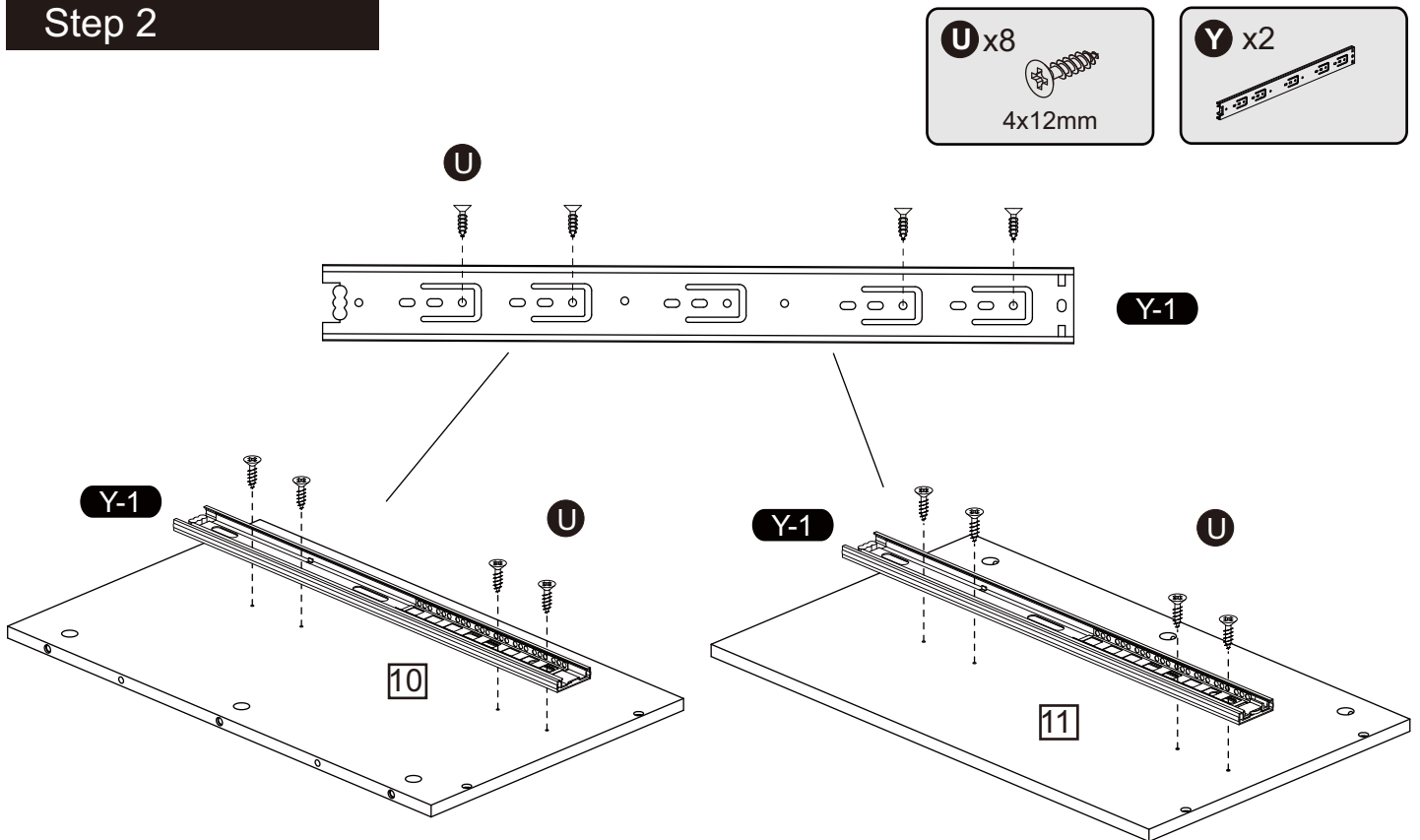
# Assembly Instructions

## Step 1



As shown in the figure: Press and hold the the slide rail release, and separate the slide rail (Y) into (Y-1) and (Y-2).

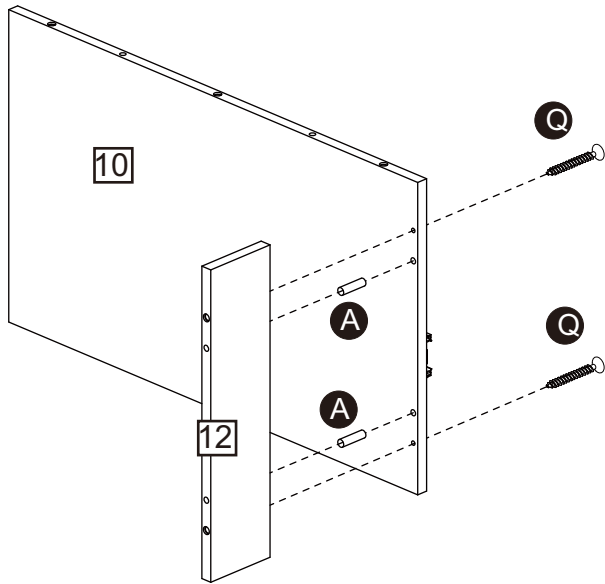
## Step 2



As shown in the figure: Use screw (U) to attach the slide rail section (Y-1) to Part (10) and Part (11). (Make sure the mounting holes match the enlarged diagram.)

# Assembly Instructions

## Step 3

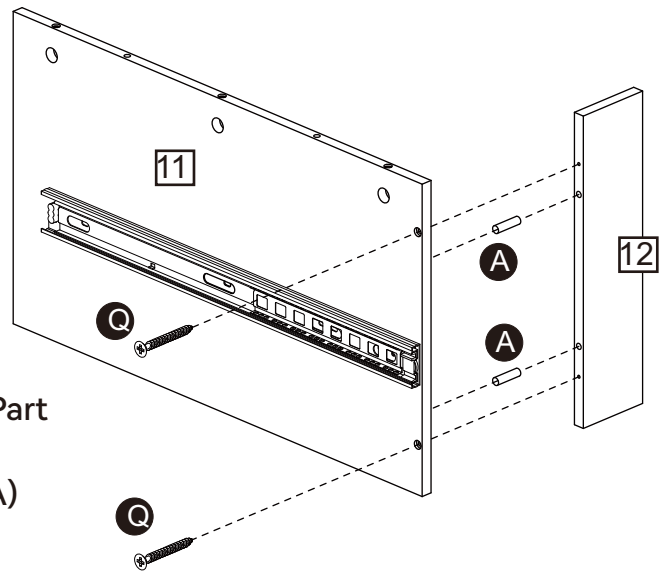


**A** x4

6x30mm

**Q** x4

4x40mm

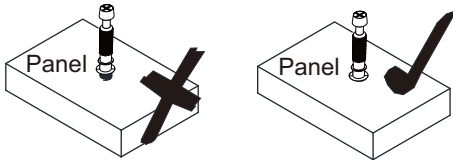


As shown in the figure: Connect Part (10) to Part (12) using dowels (A) and screws (Q), and connect Part (11) to Part (12) using dowels (A) and screws (Q).

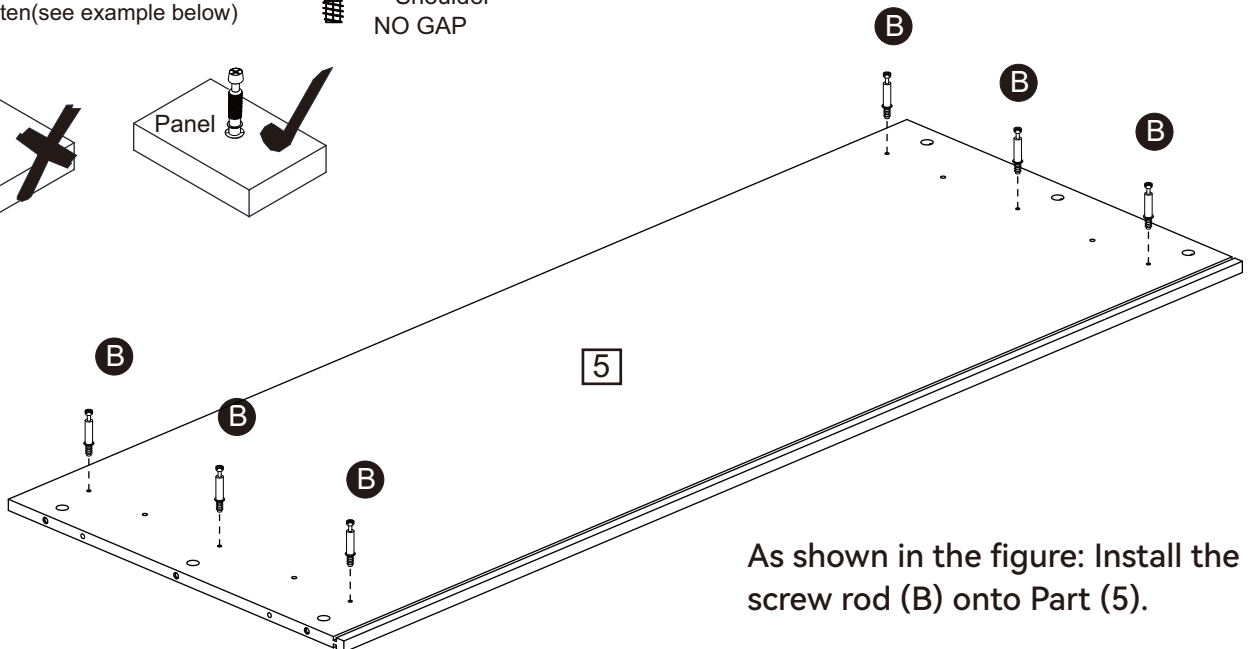
## Step 4

### CAM-LOCK

Tighten until shoulder is flush with panel. Do not overtighten or undertighten (see example below)



**B** x6

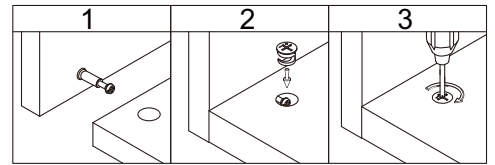
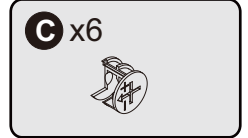
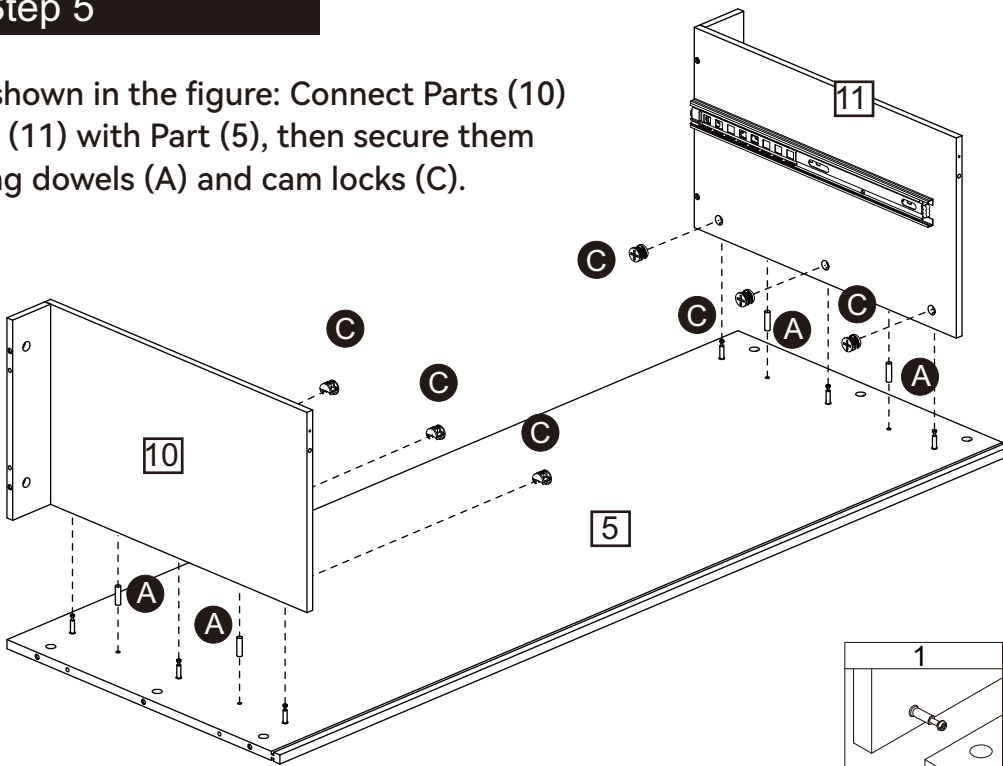


As shown in the figure: Install the screw rod (B) onto Part (5).

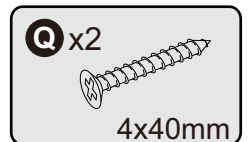
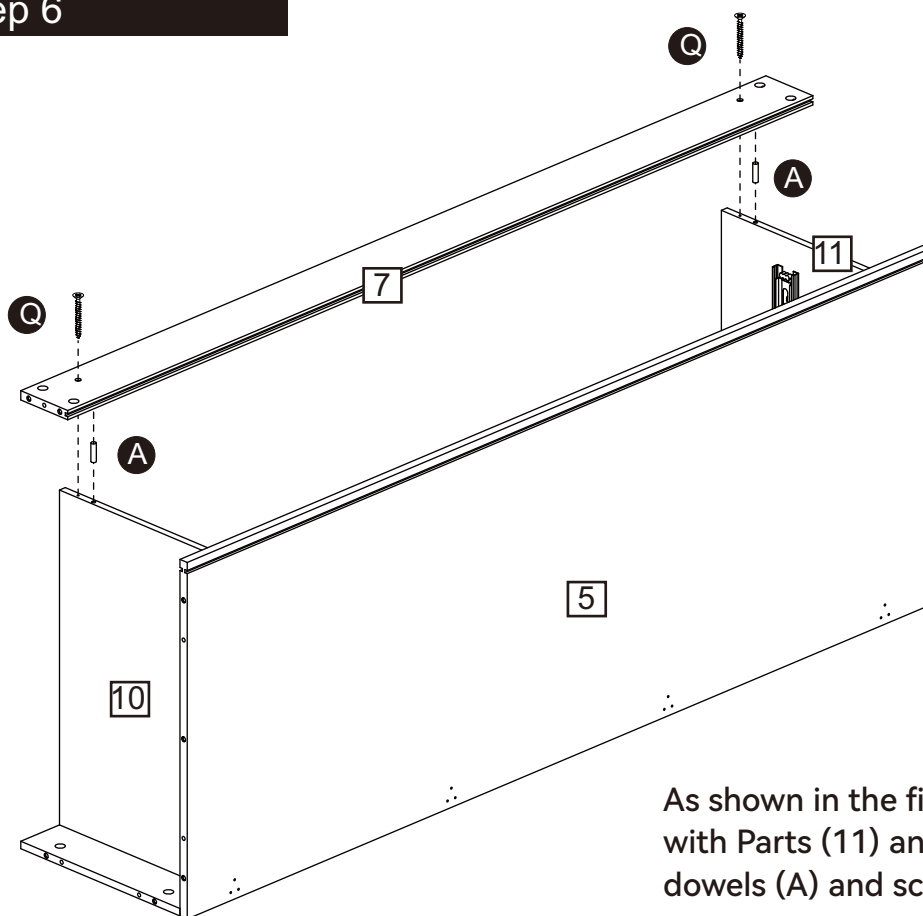
# Assembly Instructions

## Step 5

As shown in the figure: Connect Parts (10) and (11) with Part (5), then secure them using dowels (A) and cam locks (C).



## Step 6



As shown in the figure: Connect Part (7) with Parts (11) and (12), and fasten using dowels (A) and screws (Q).

# Assembly Instructions

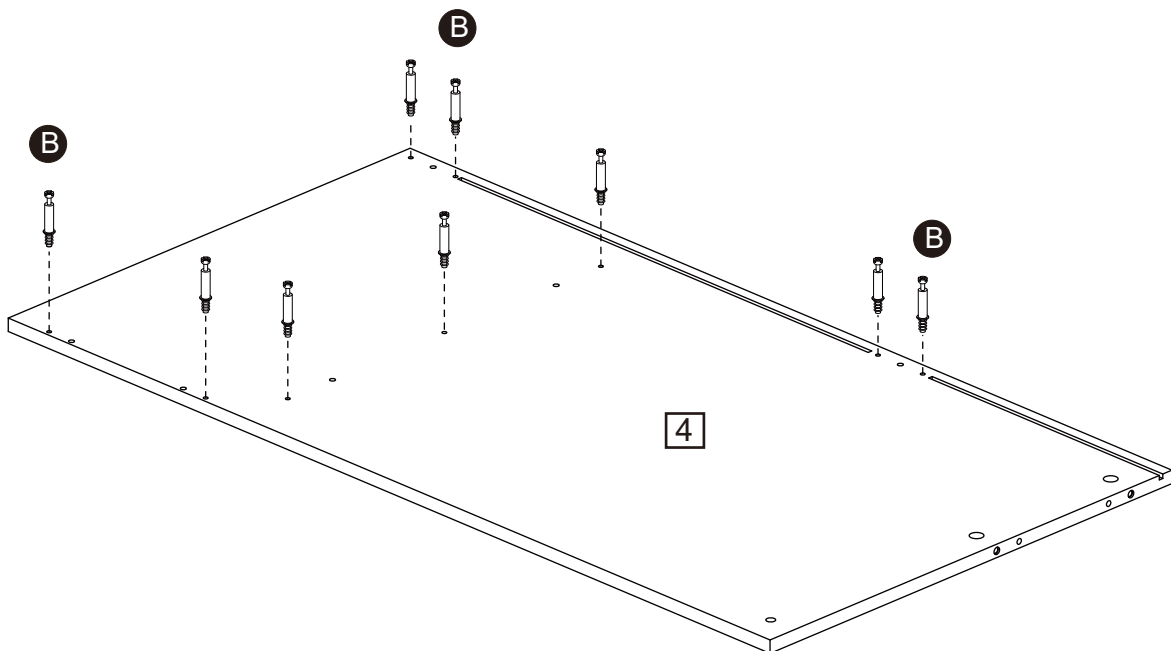
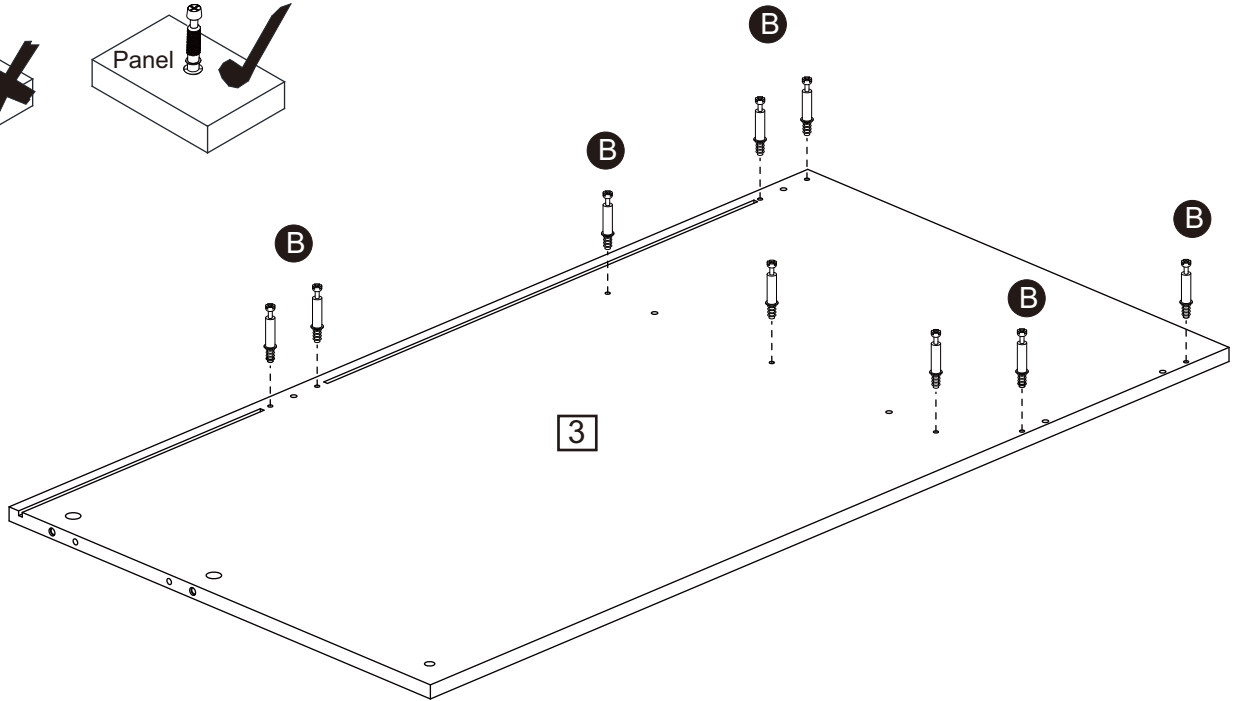
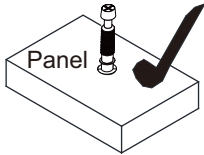
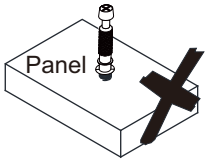
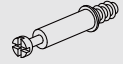
## Step 7

### CAM-LOCK

Tighten until shoulder is flush with panel. Do not overtighten or undertighten (see example below)



**B** x18



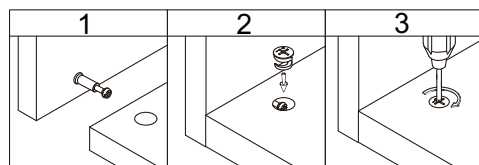
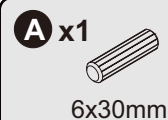
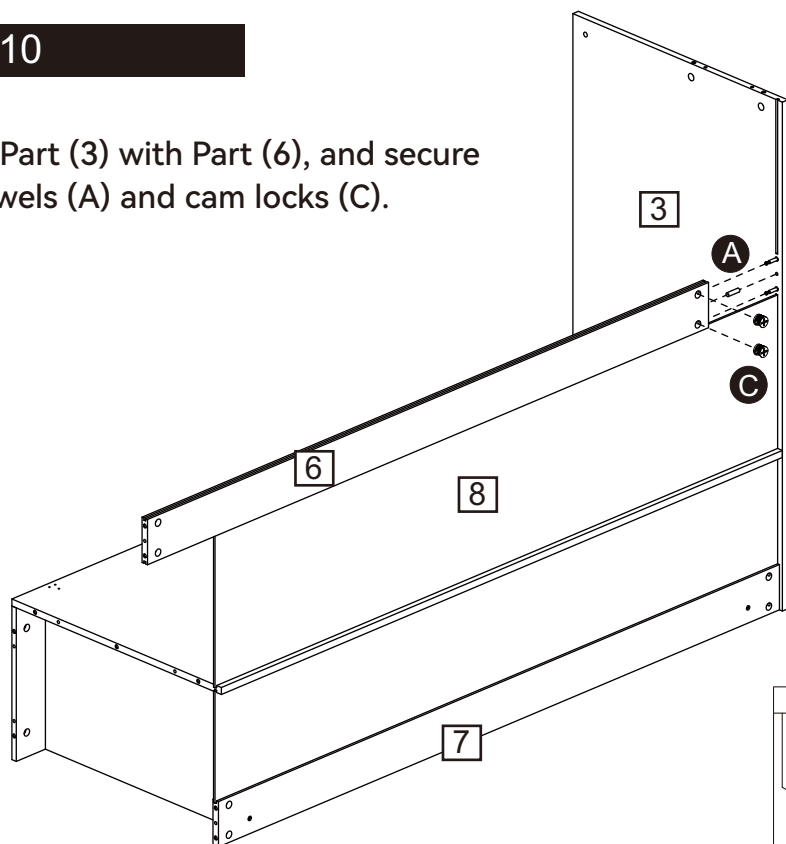
As shown in the figure: Install the screw rod (B) onto Part (3) and Part (4) respectively.



# Assembly Instructions

## Step 10

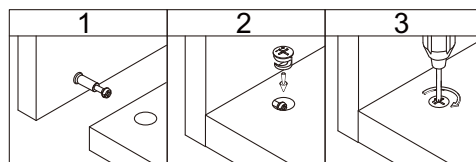
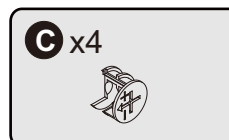
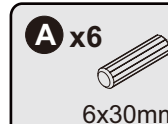
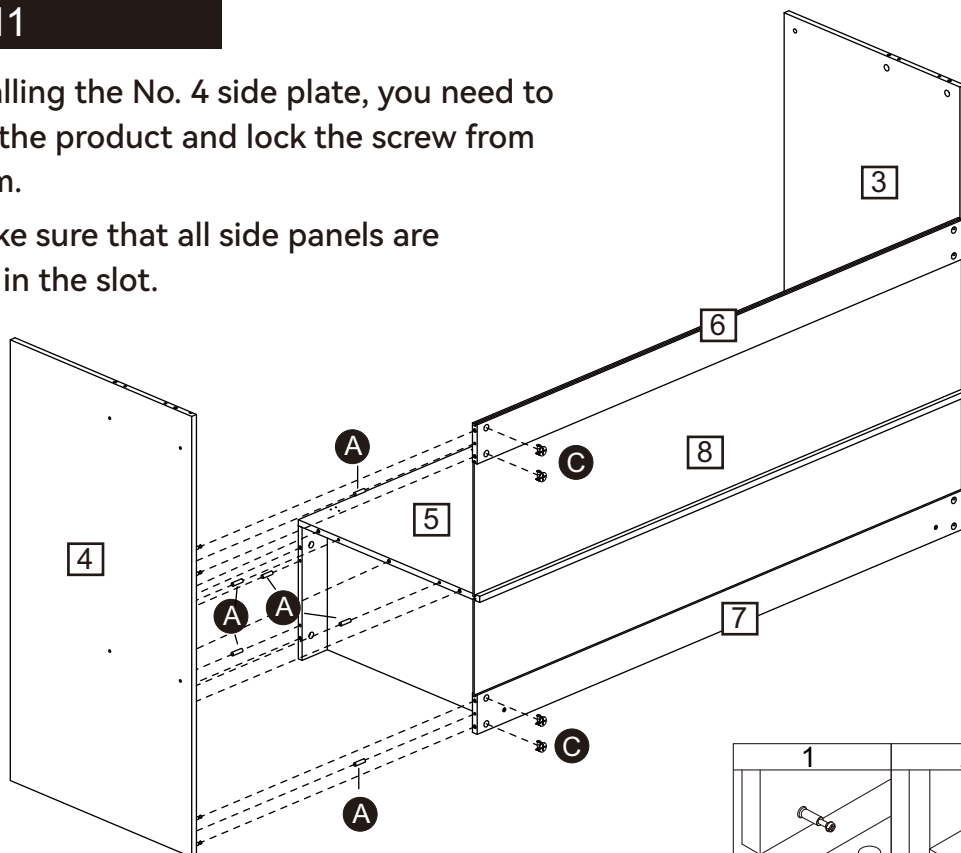
Connect Part (3) with Part (6), and secure using dowels (A) and cam locks (C).



## Step 11

After installing the No. 4 side plate, you need to put down the product and lock the screw from the bottom.

Please make sure that all side panels are fully stuck in the slot.



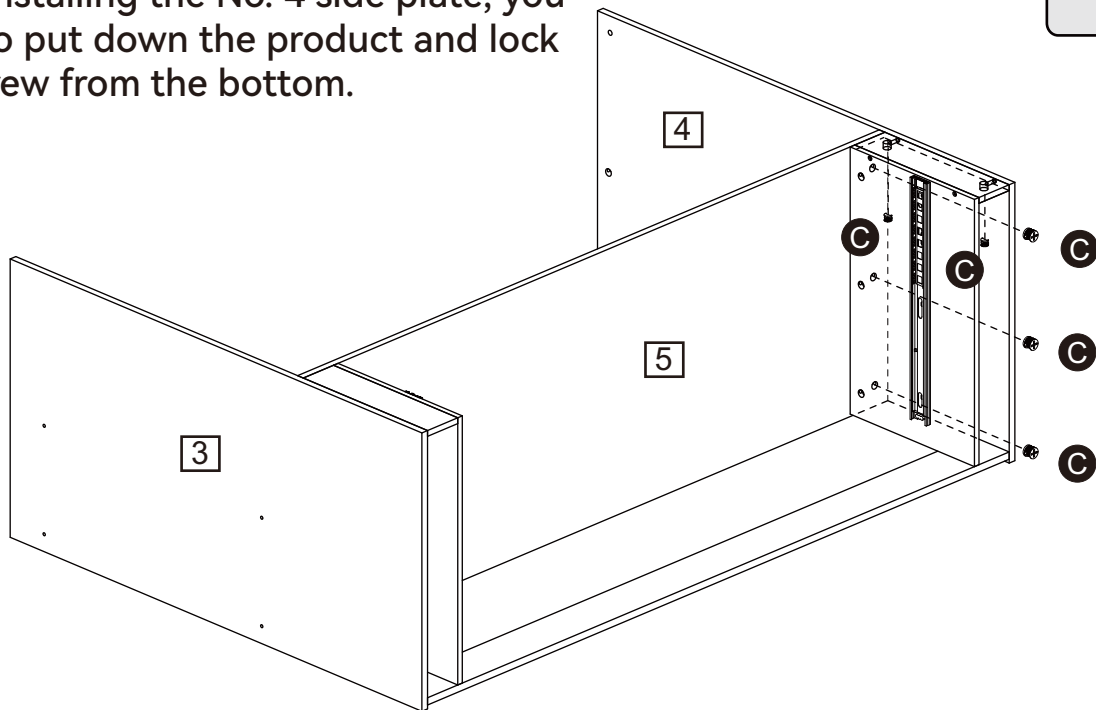
Assemble Parts (4), (5), (6), and (7), and secure them using dowels (A) and cam locks (C).

# Assembly Instructions

## Step 12

After installing the No. 4 side plate, you need to put down the product and lock the screw from the bottom.

**C** x5

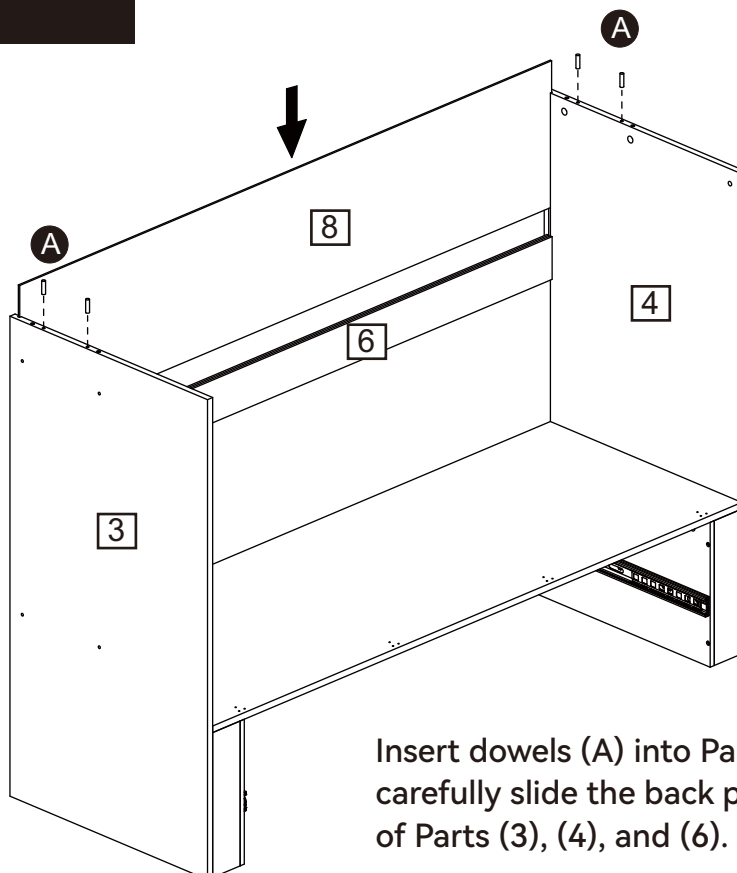


Insert the cam locks (C) into Parts (5) and (12), and tighten them.

## Step 13

**A** x4

6x30mm



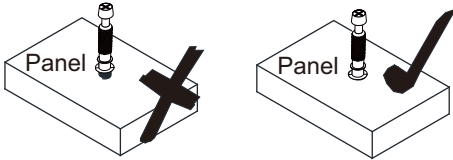
Insert dowels (A) into Parts (3) and (4), then carefully slide the back panel (8) into the grooves of Parts (3), (4), and (6).

# Assembly Instructions

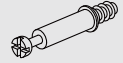
## Step 14

### CAM-LOCK

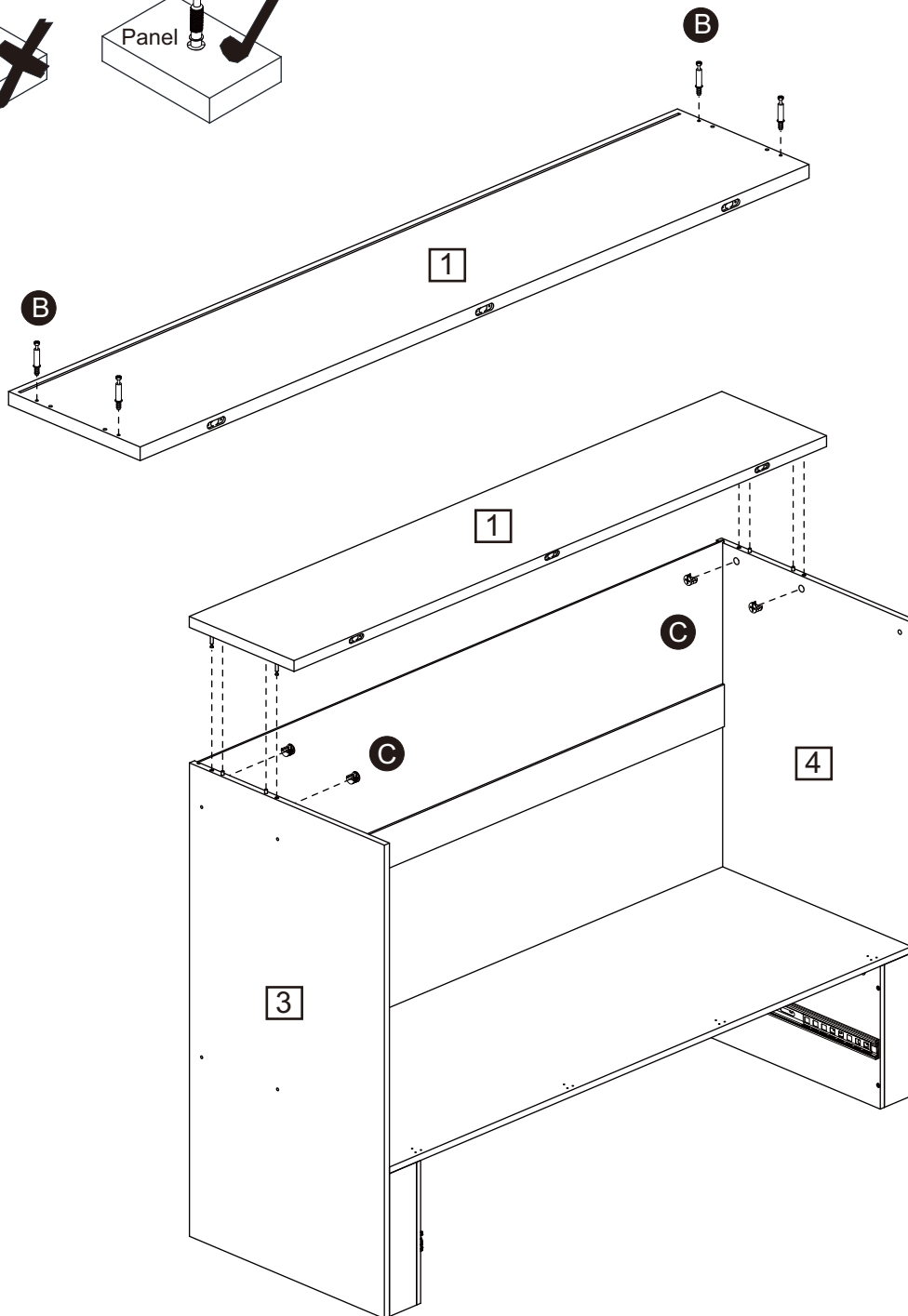
Tighten until shoulder is flush with panel. Do not overtighten or undertighten (see example below)



**B** x4



**C** x4

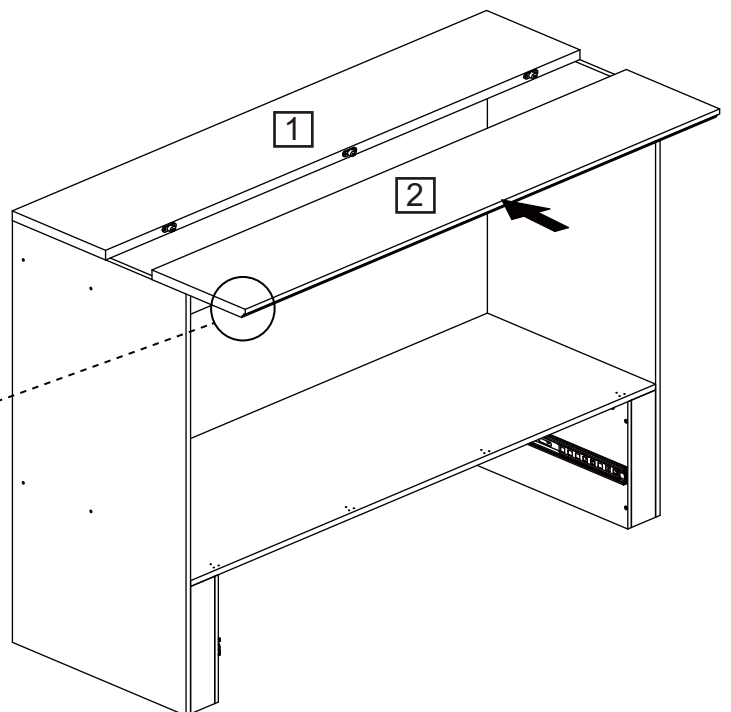
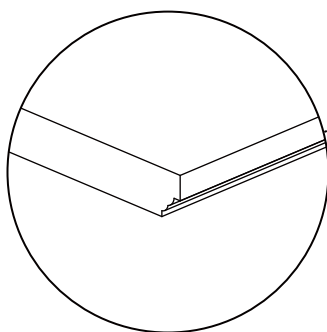
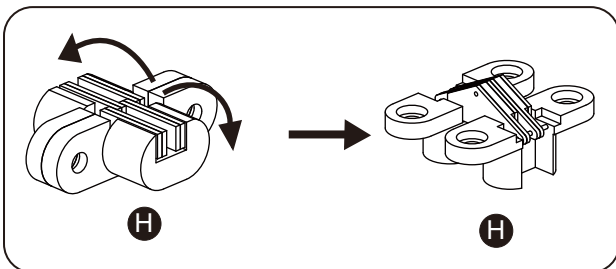
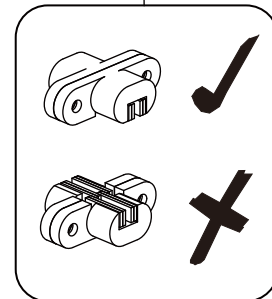
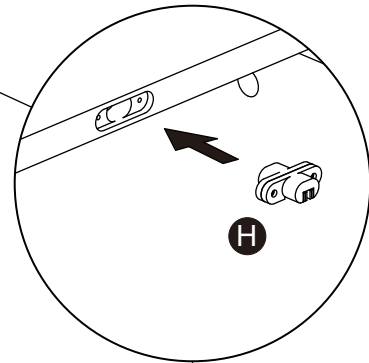
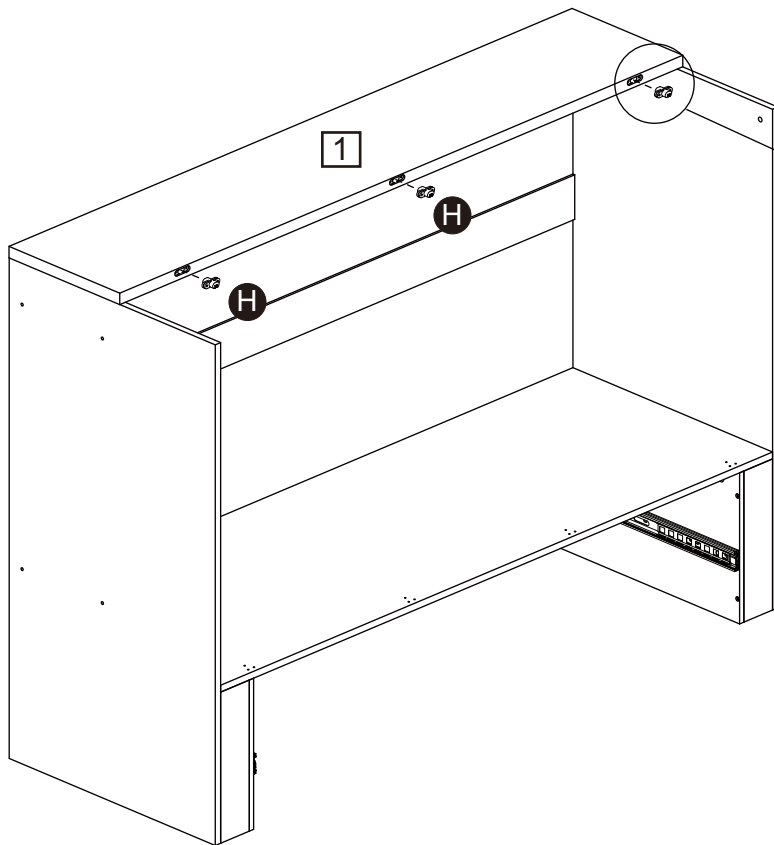


Install the screw rod (B) onto Part (1), attach Part (1) to Parts (3) and (4), insert cam locks (C), and tighten.

# Assembly Instructions

## Step 15

H x3



As shown in the figure: Insert the hinge (H) into Part (1).  
(Ensure the direction of H matches the enlarged diagram.)

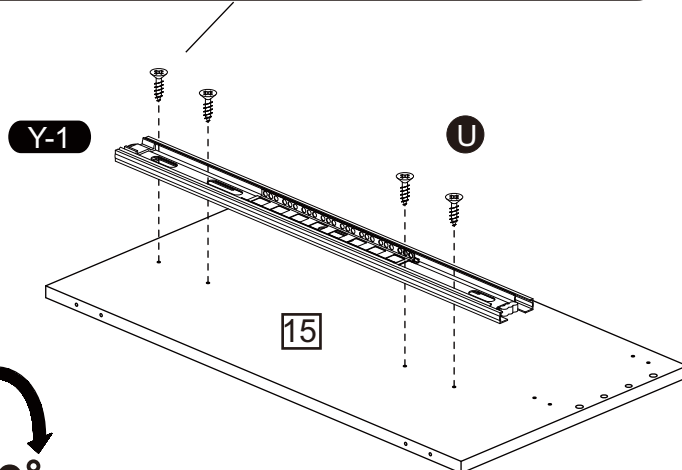
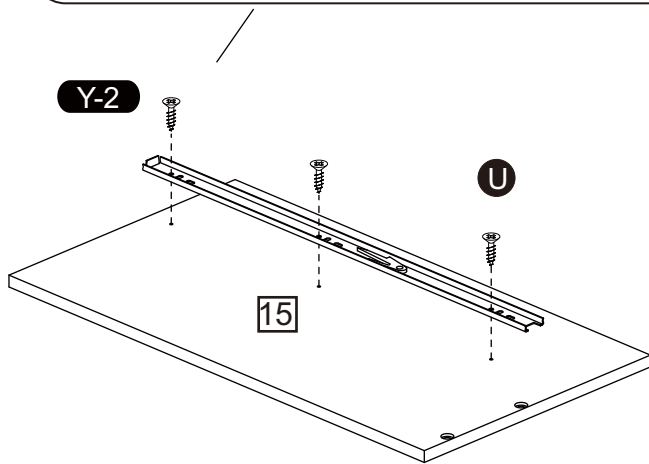
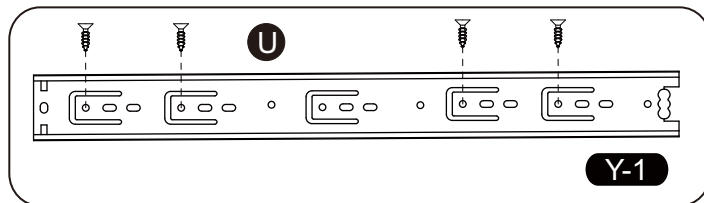
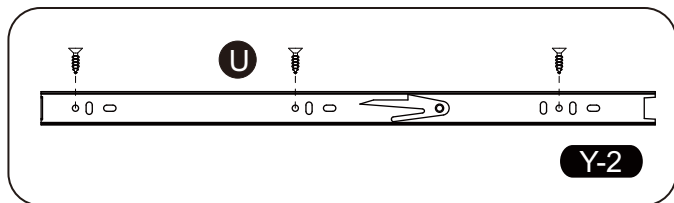


# Assembly Instructions

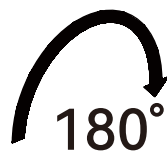
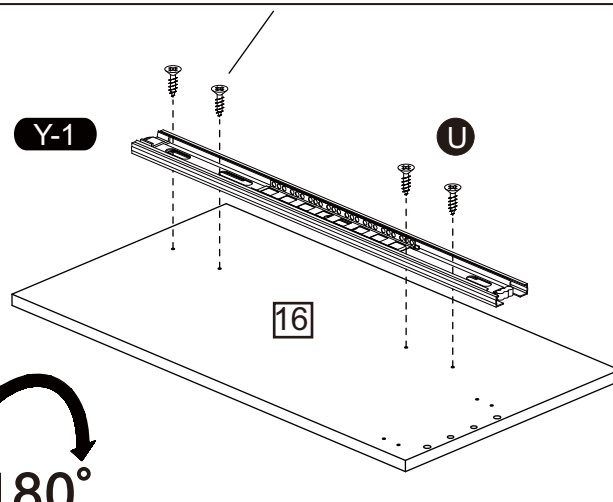
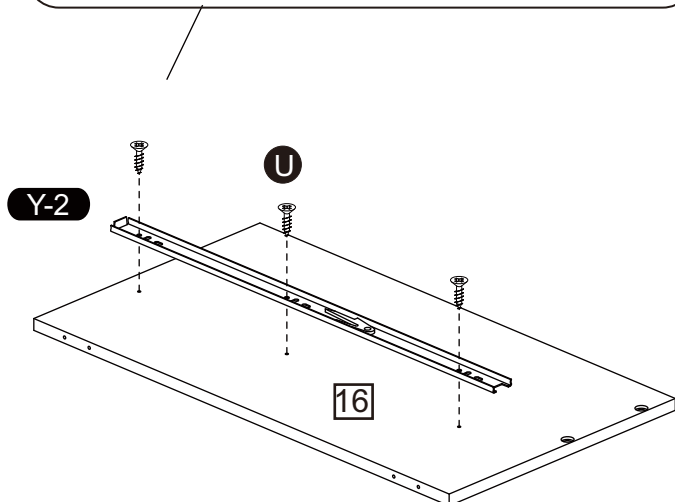
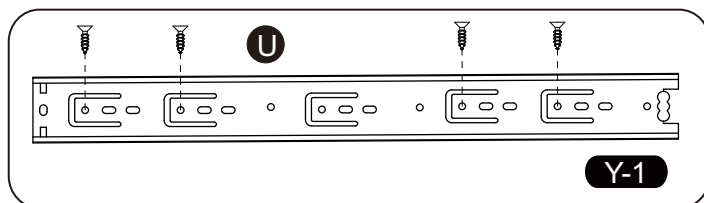
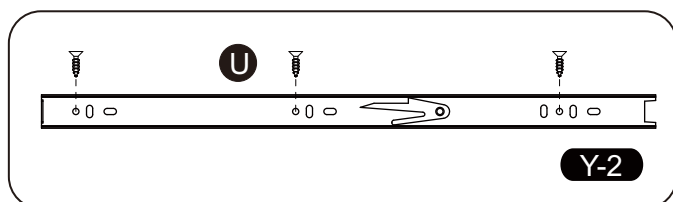
## Step 18

U x14  
4x12mm

Y x2



180°  
Turn the panel over

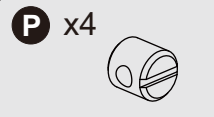
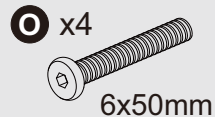
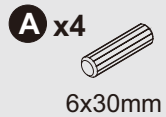


180°  
Turn the panel over

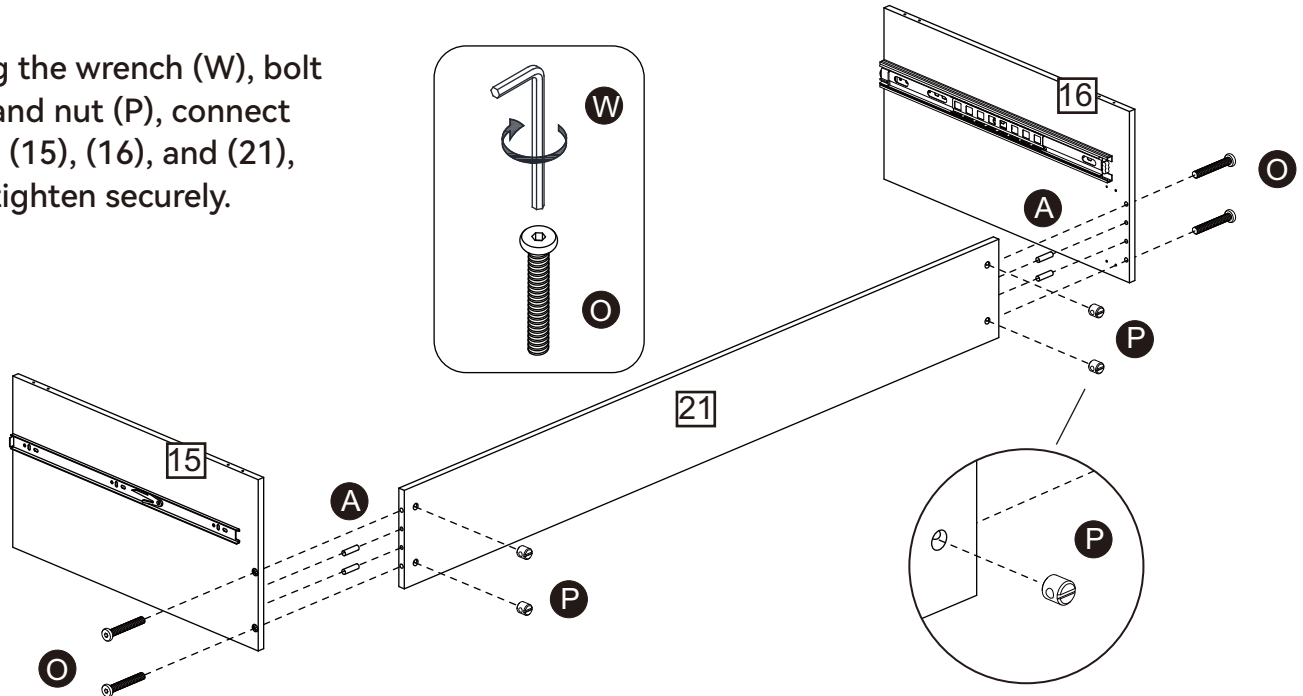
Use screw (U) to attach slide rail section (Y-2) to Part (15). Flip the panel over and then use screw (U) to fix slide rail section (Y-1) to Part (15). Repeat the same process for Part (16). (Pay attention to the mounting holes for slide rails (Y-2) and (Y-1).)

# Assembly Instructions

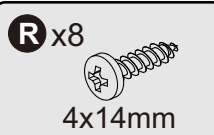
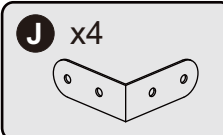
## Step 19



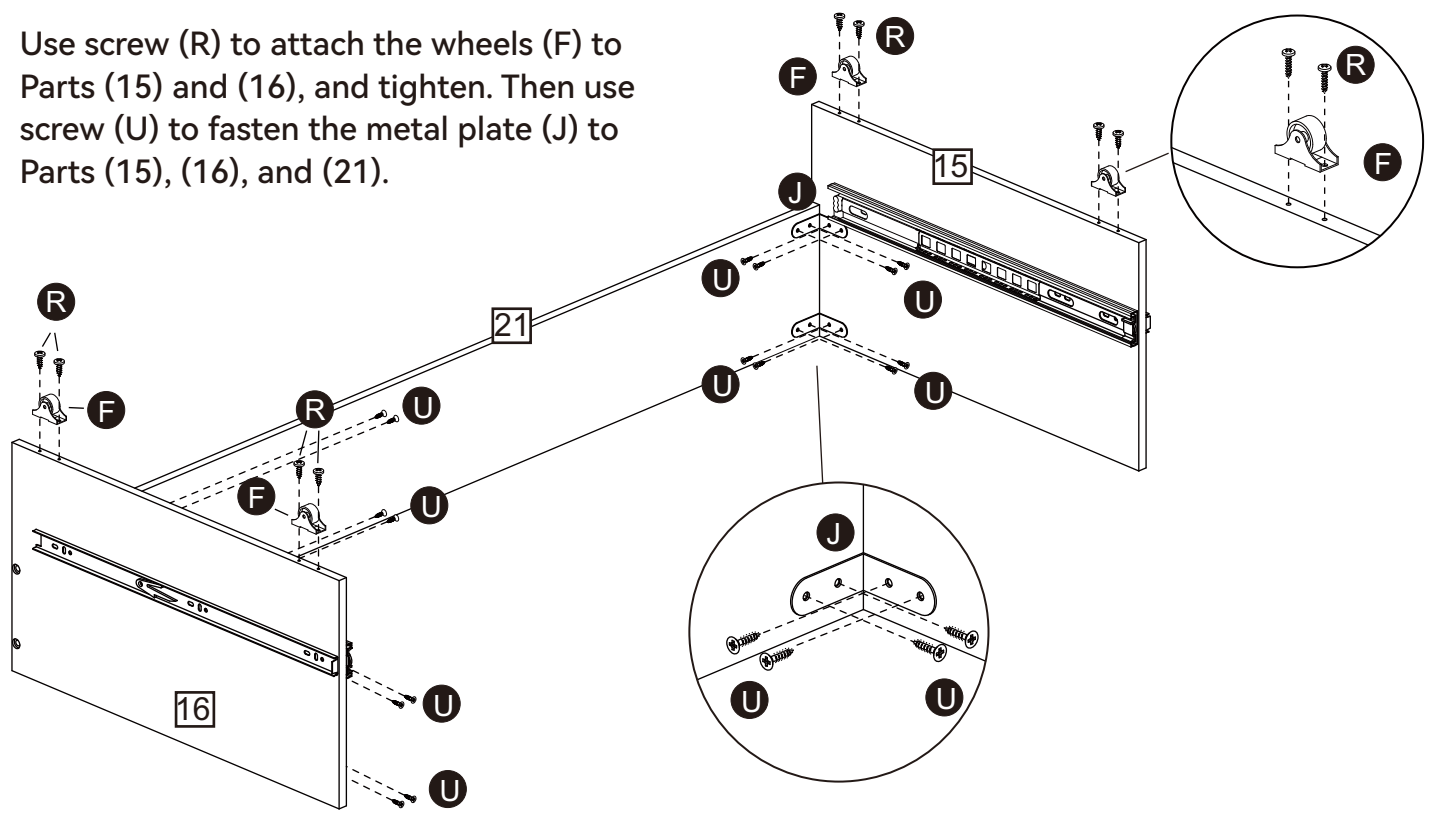
Using the wrench (W), bolt (O), and nut (P), connect Parts (15), (16), and (21), and tighten securely.



## Step 20

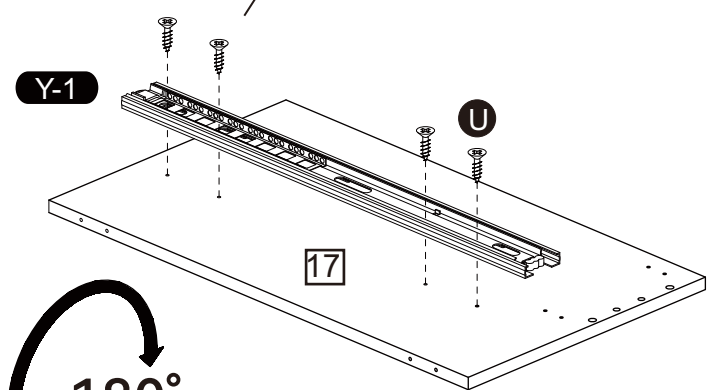
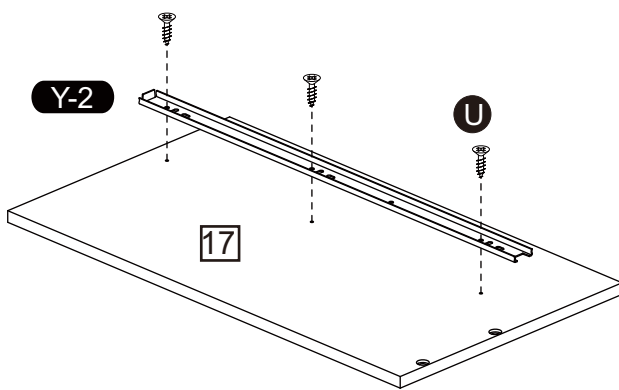
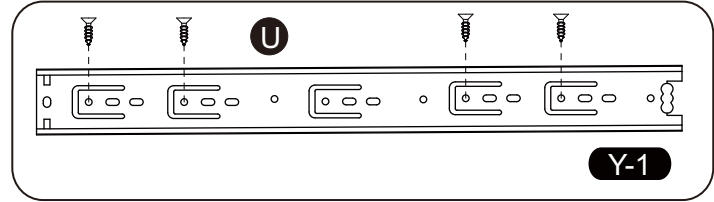
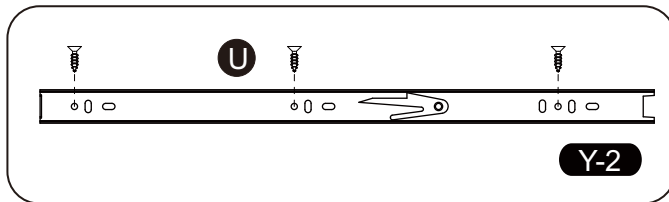
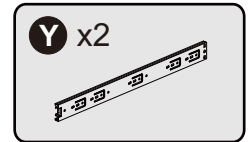
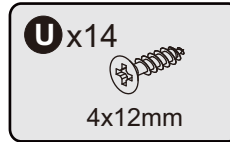


Use screw (R) to attach the wheels (F) to Parts (15) and (16), and tighten. Then use screw (U) to fasten the metal plate (J) to Parts (15), (16), and (21).

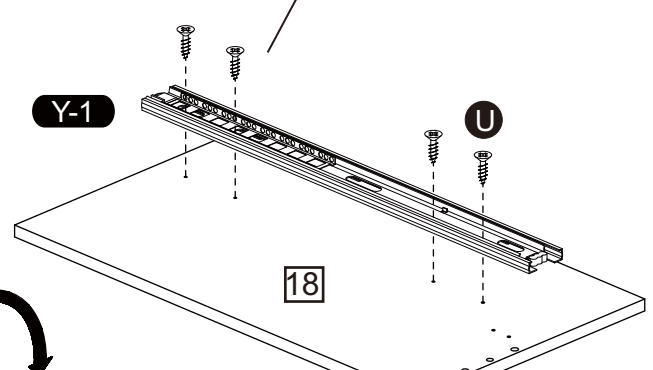
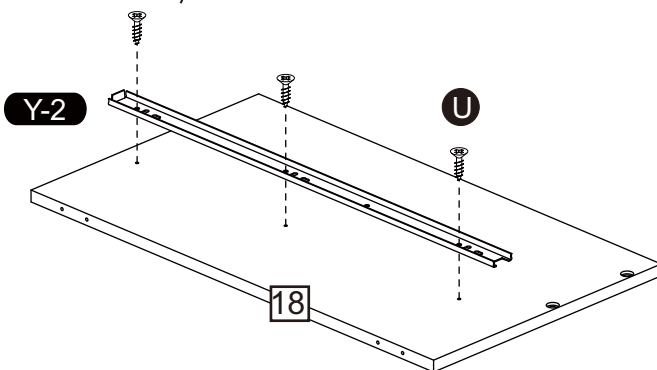
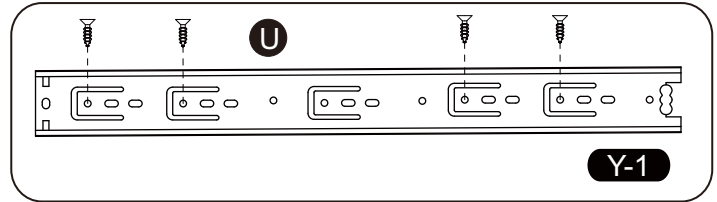
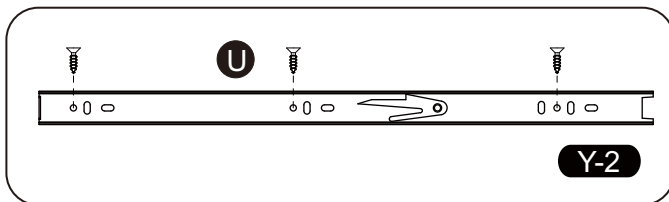


# Assembly Instructions

## Step 21



Turn the panel over

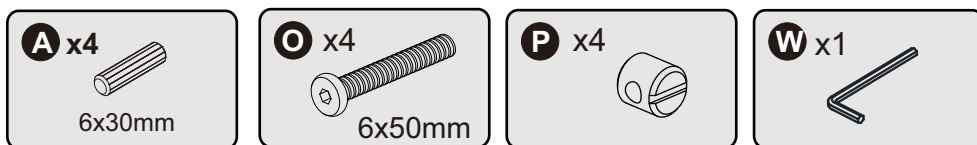


Turn the panel over

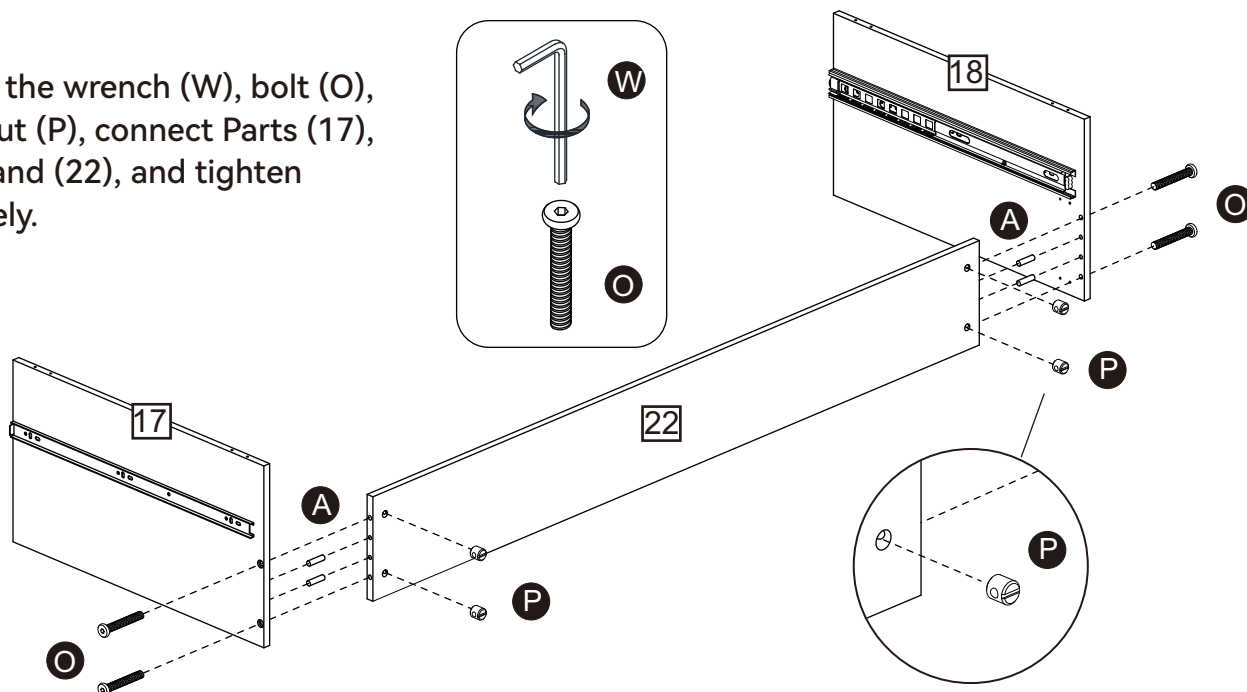
Use screw (U) to attach slide rail section (Y-2) to Part (17). Flip the panel over and then use screw (U) to fix slide rail section (Y-1) to Part (17). Repeat the same process for Part (18). (Pay attention to the mounting holes for slide rails (Y-2) and (Y-1).)

# Assembly Instructions

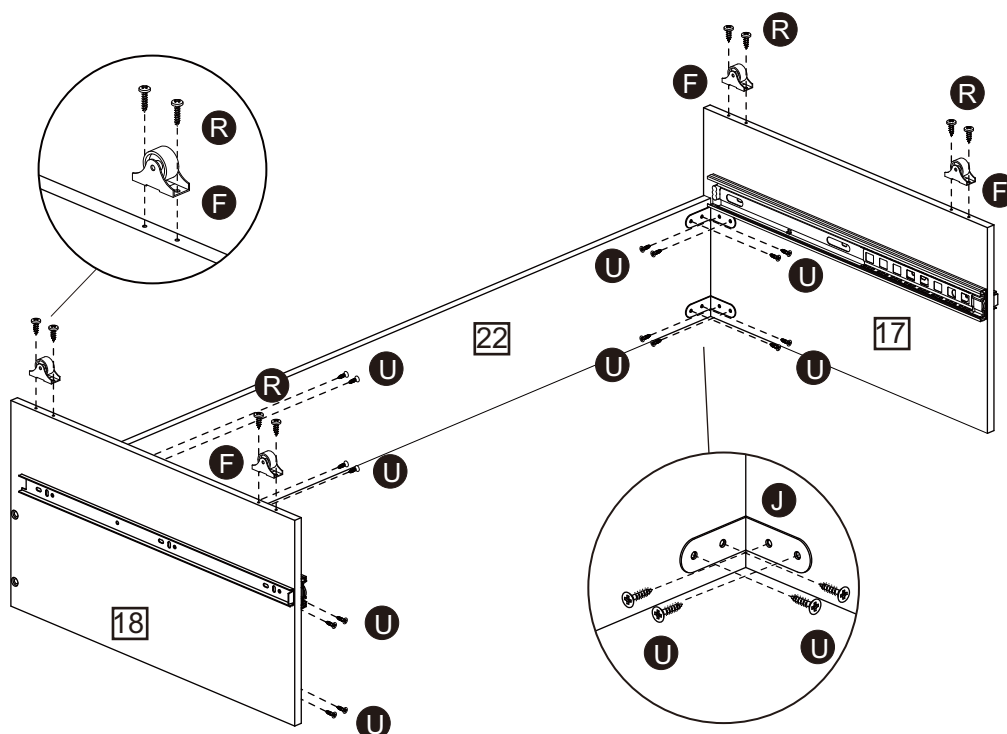
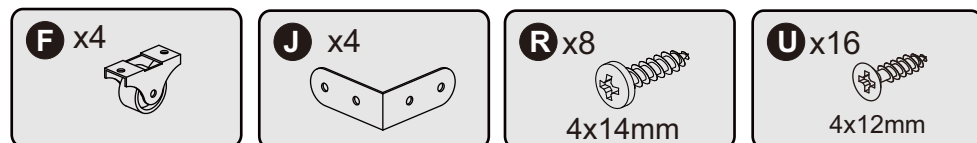
## Step 22



Using the wrench (W), bolt (O), and nut (P), connect Parts (17), (18), and (22), and tighten securely.



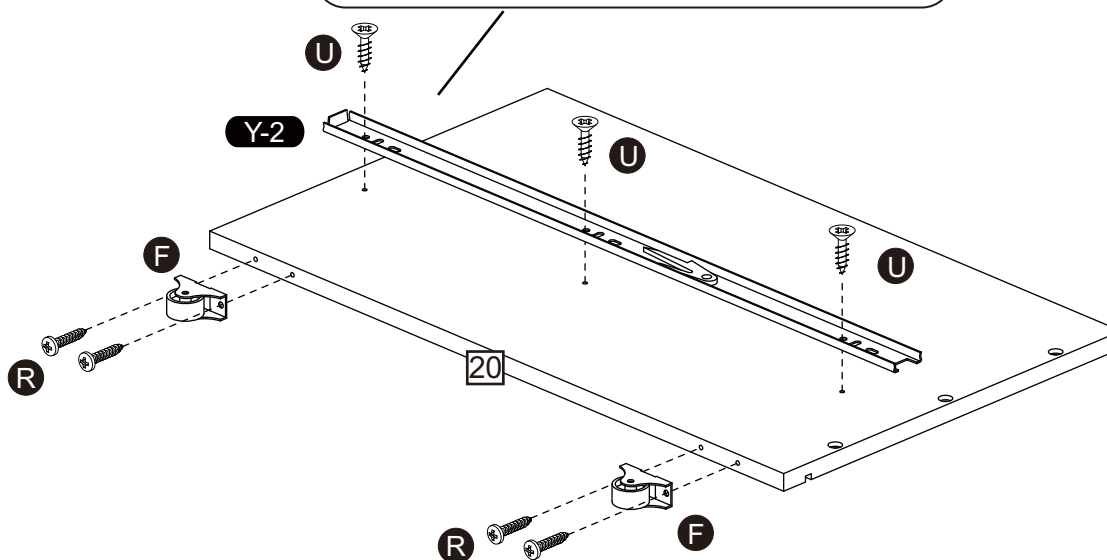
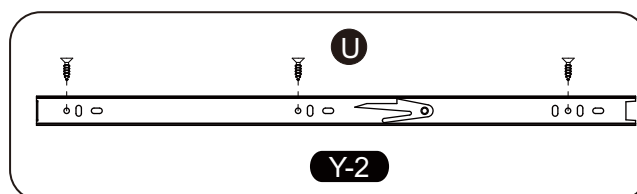
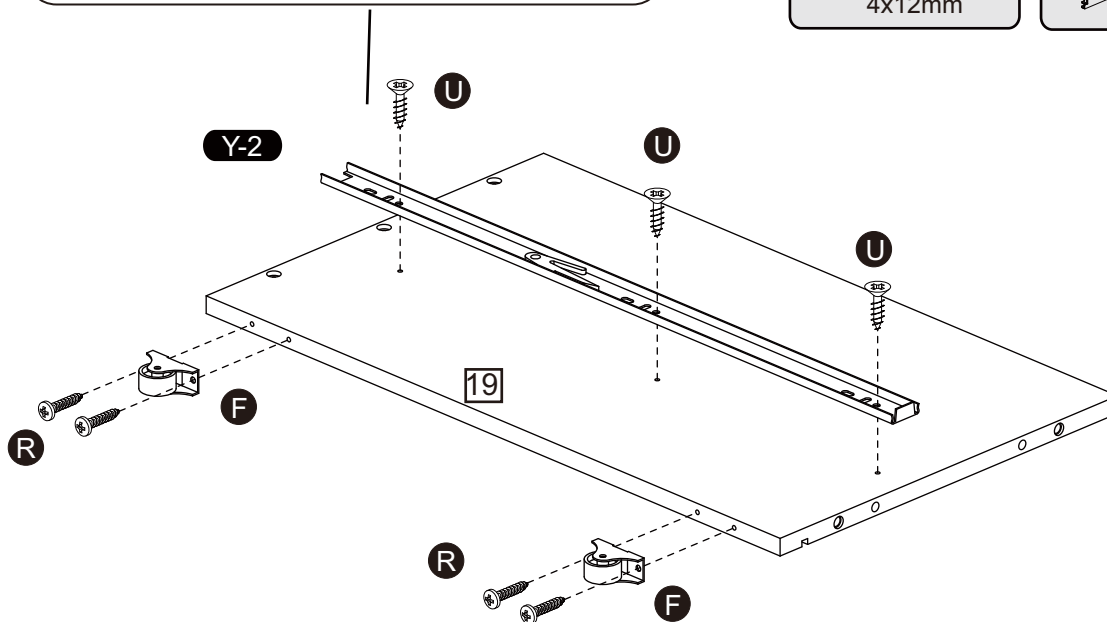
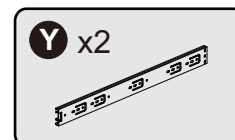
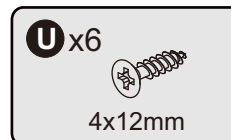
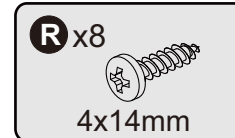
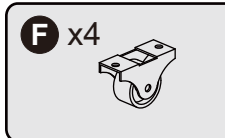
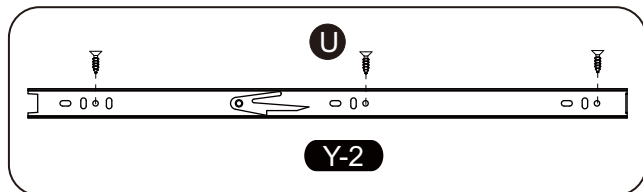
## Step 23



Use screw (R) to attach the wheels (F) to Parts (17) and (18), and tighten. Then use screw (U) to fasten the metal plate (J) onto Parts (17), (18), and (22).

# Assembly Instructions

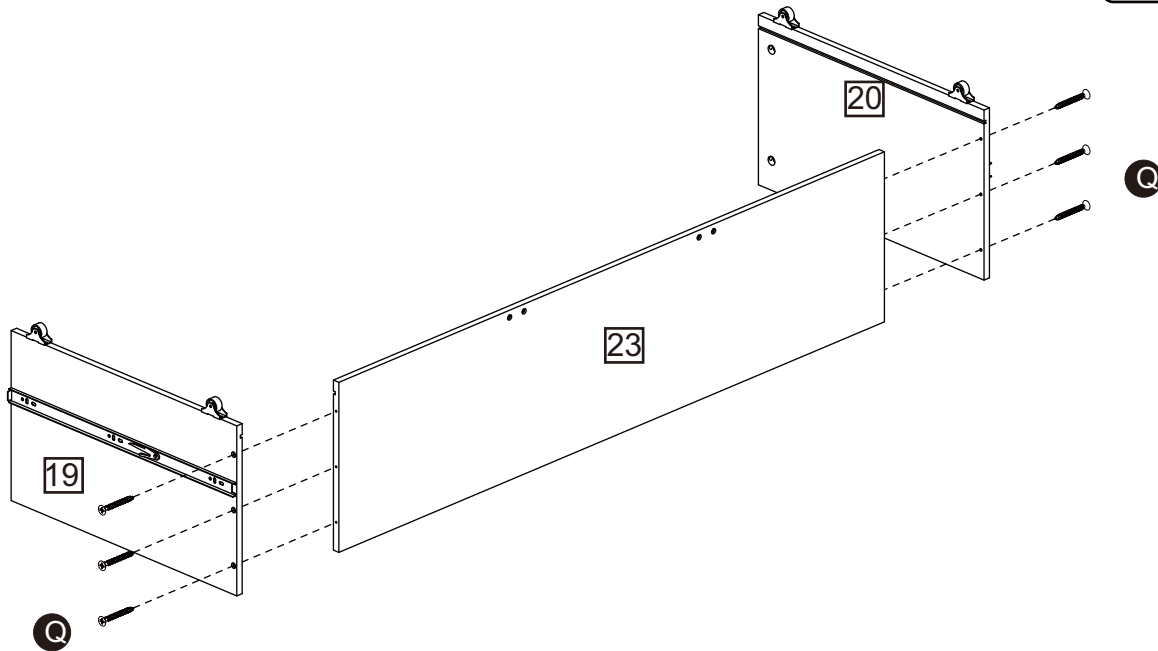
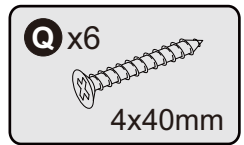
## Step 24



Use screw (U) to attach slide rail section (Y-2) to Part (19). Use screw (R) to fasten the wheel (F) to Part (19). Then use screw (U) to attach slide rail section (Y-2) to Part (20), and use screw (R) to fasten the wheel (F) to Part (20).

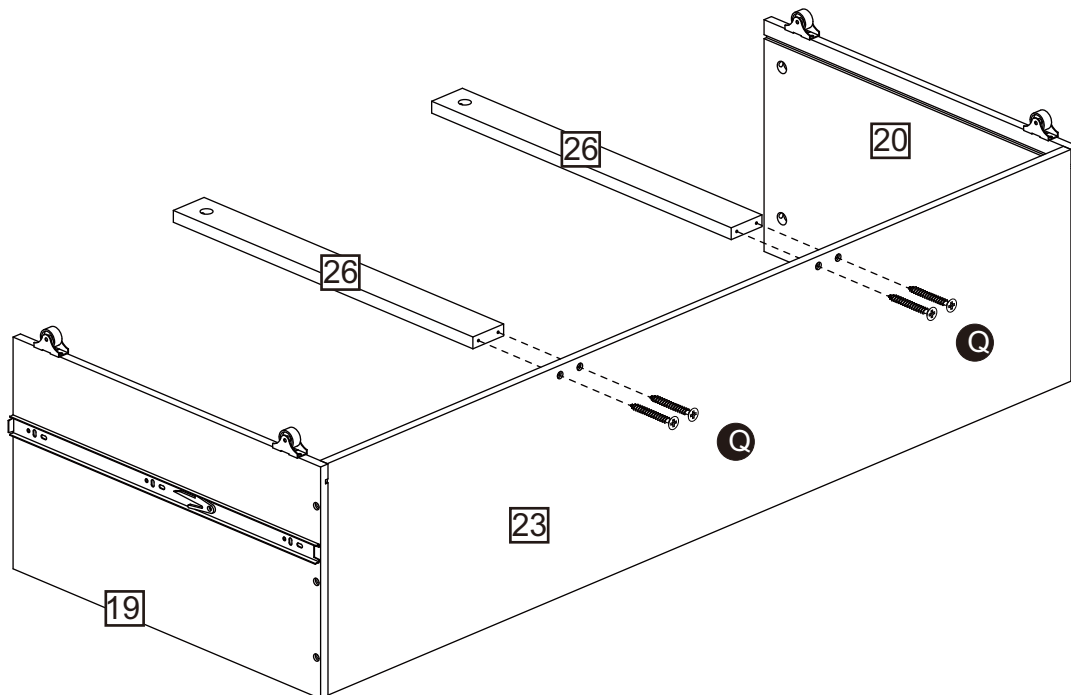
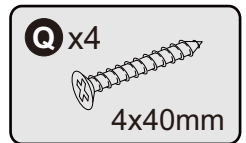
# Assembly Instructions

## Step 25



Use screw (Q) to connect Parts (19), (20), and (23), and tighten.

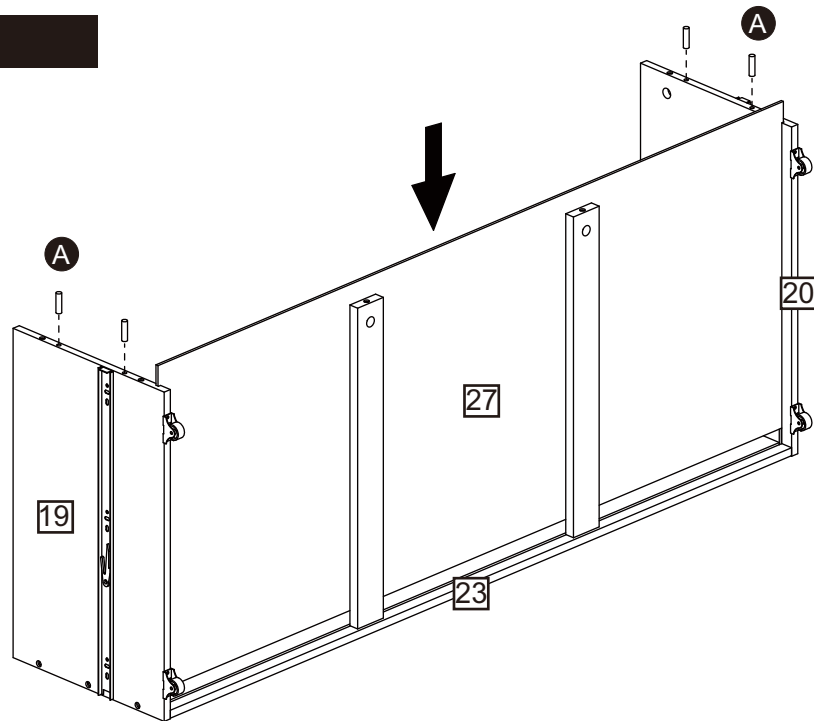
## Step 26



Use screw (Q) to attach Part (26) to Part (23), and tighten.

# Assembly Instructions

## Step 27

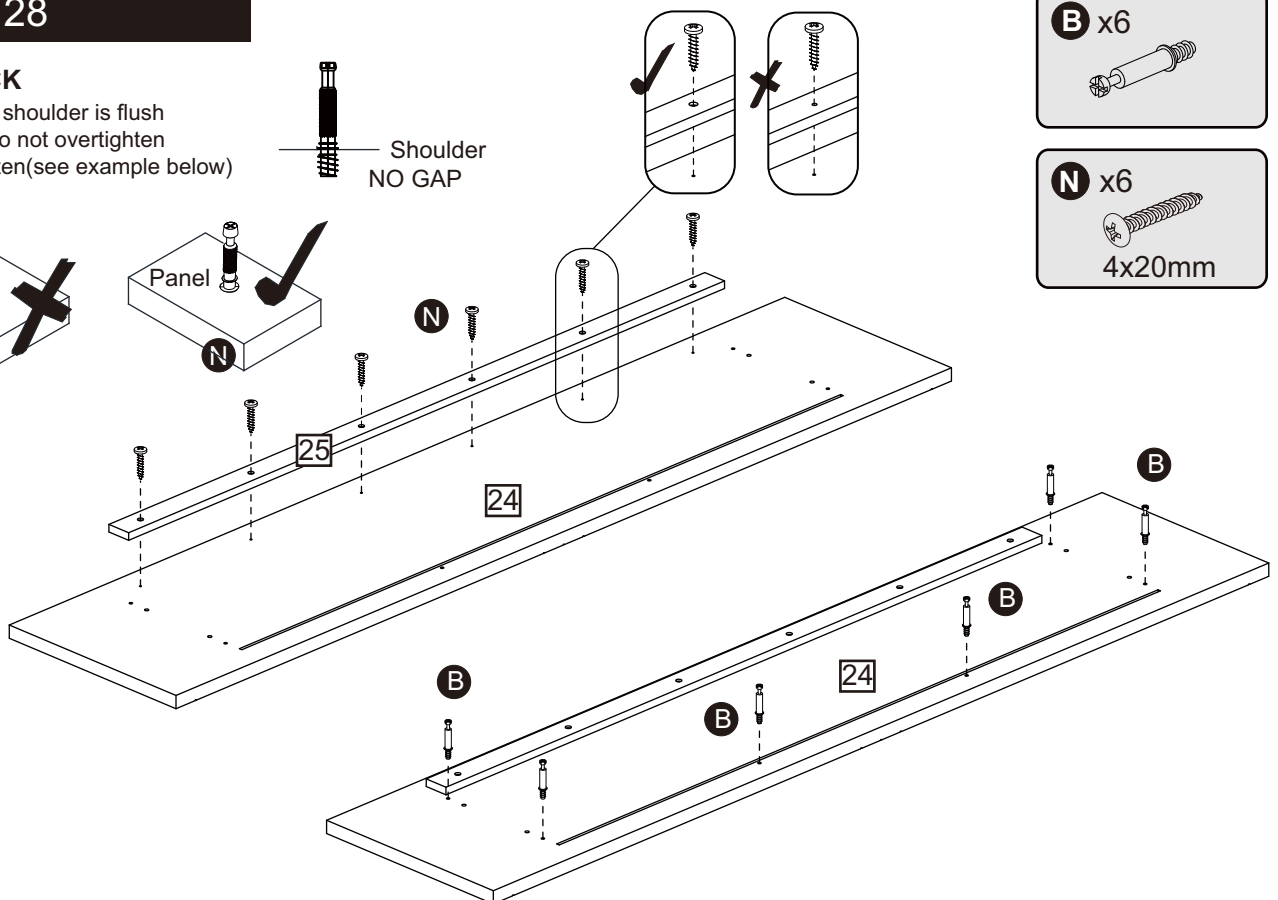
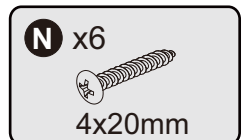
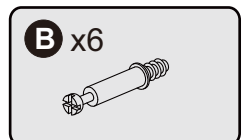
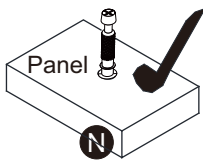
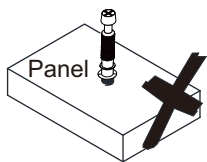


Insert dowels (A) into Parts (19) and (20). Then carefully slide the drawer bottom panel (27) into the grooves of Parts (19), (20), and (23).

## Step 28

### CAM-LOCK

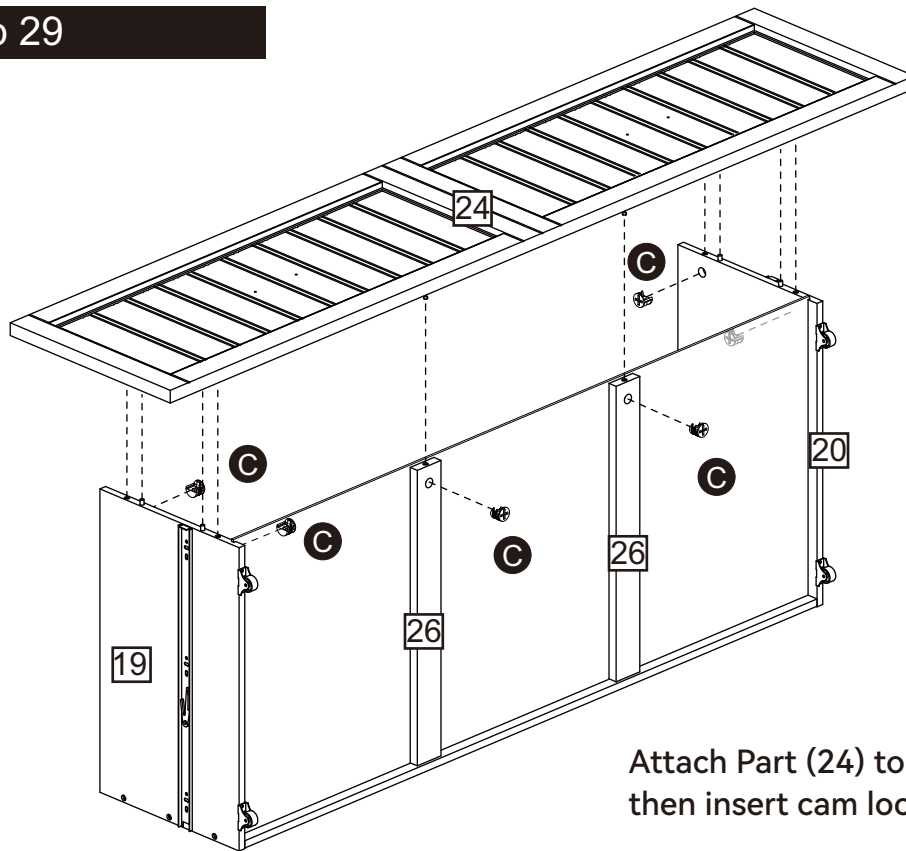
Tighten until shoulder is flush with panel. Do not overtighten or undertighten (see example below)



Use screw (N) to attach Part (25) to Part (24), then install the screw rod (B) onto Part (24).

# Assembly Instructions

## Step 29

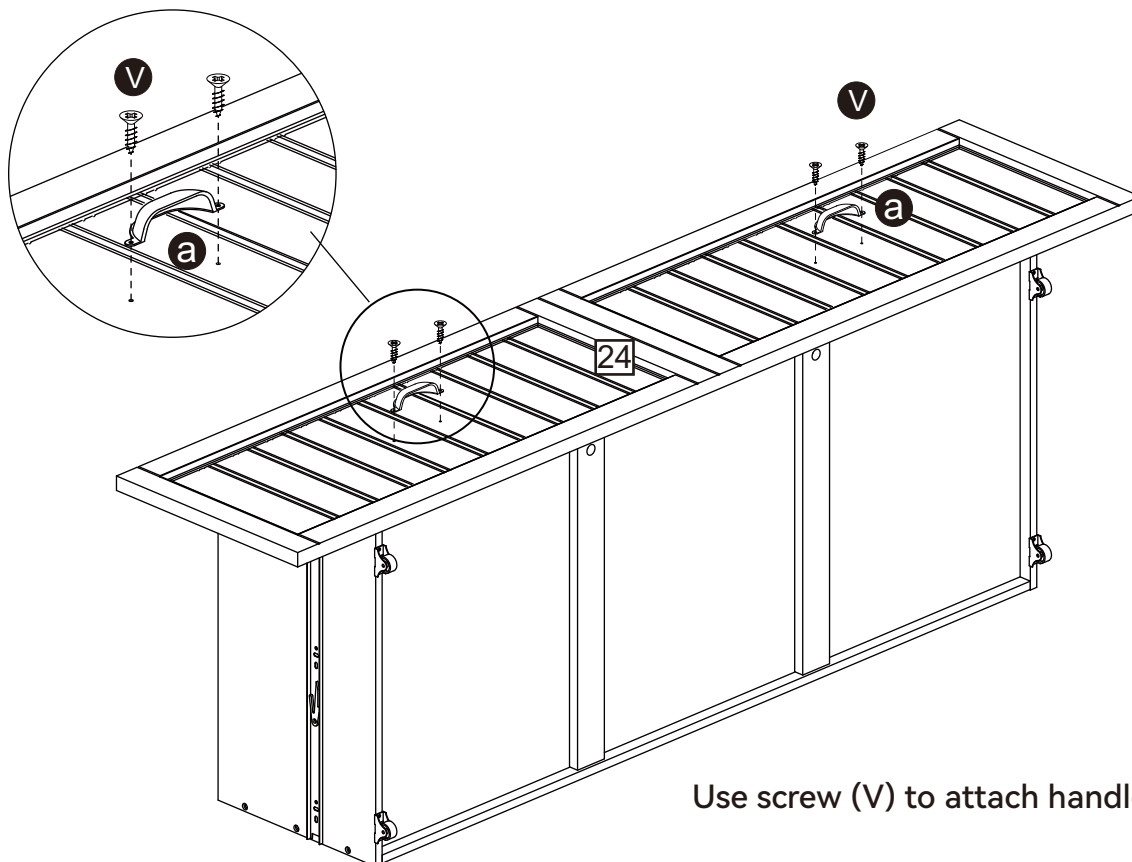


**C** x6



Attach Part (24) to Parts (19), (20), and (26), then insert cam locks (C), and tighten.

## Step 30



**V** x4



3x12mm

**a** x2



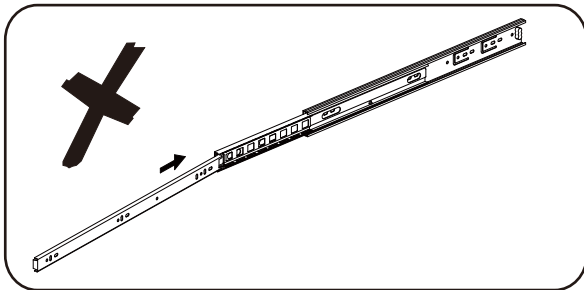
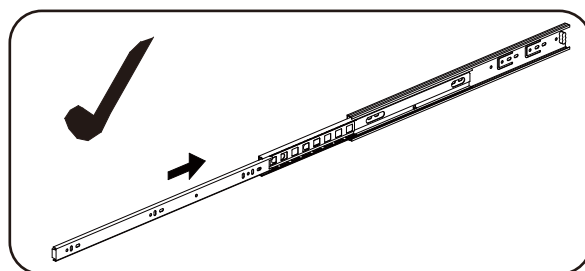
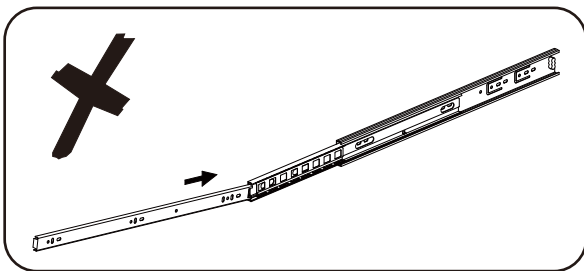
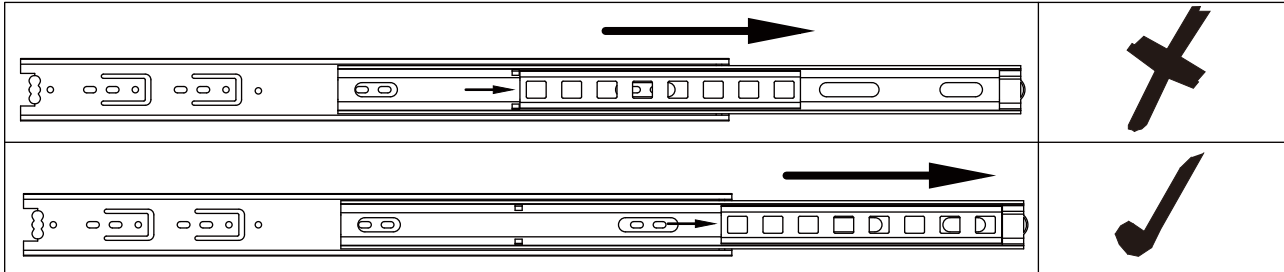
Use screw (V) to attach handle (a) to Part (24).

# Assembly Instructions

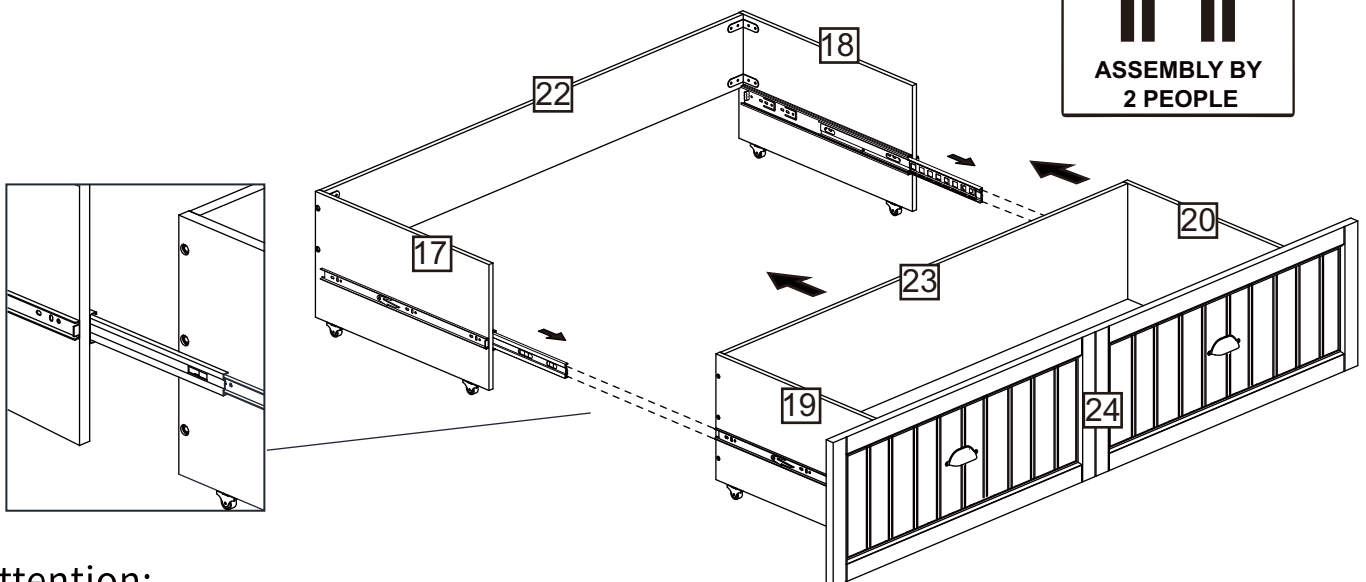
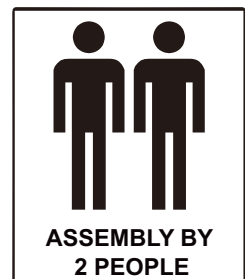
## Step 31

Try to find a partner to install with you, which can speed up the installation efficiency and shorten the time.

Please make sure that the balls in the tracks on both sides are pulled to the top, and then insert the tracks to ensure smooth entry.



1. Drawers must be horizontally put into the cabinets.
2. Make sure both sides sliders match well to avoid damage.



### Attention:

1. Pull out the rail installed on the cabinet.
2. Align the slide runners on the drawer with the unit and push it carefully inside until it stops.

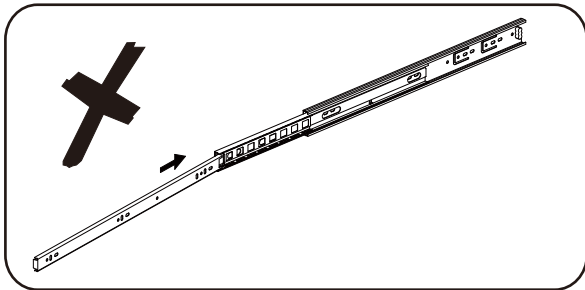
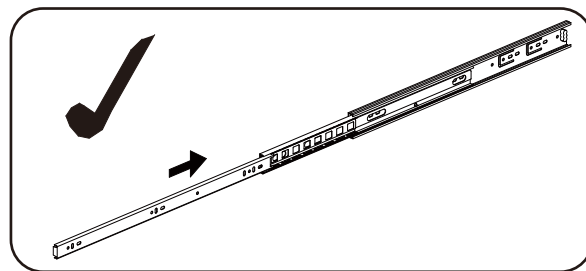
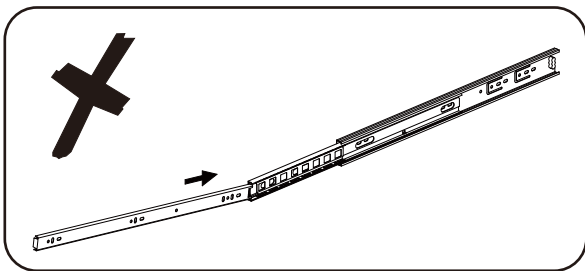
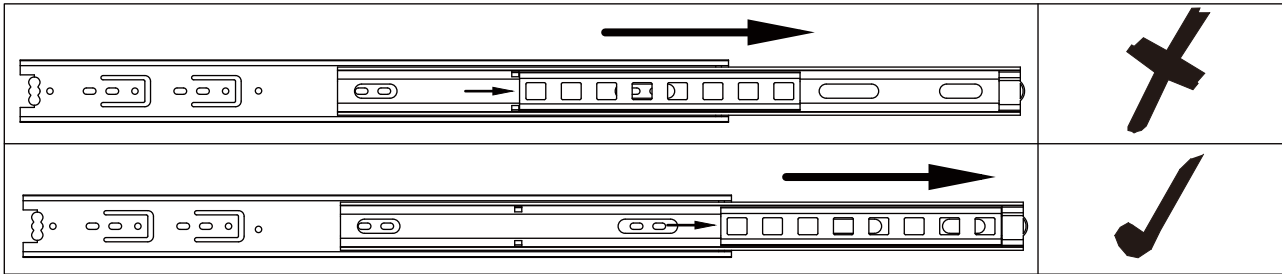
★ If the drawer does not go in smoothly please take it out and repeat the steps.

# Assembly Instructions

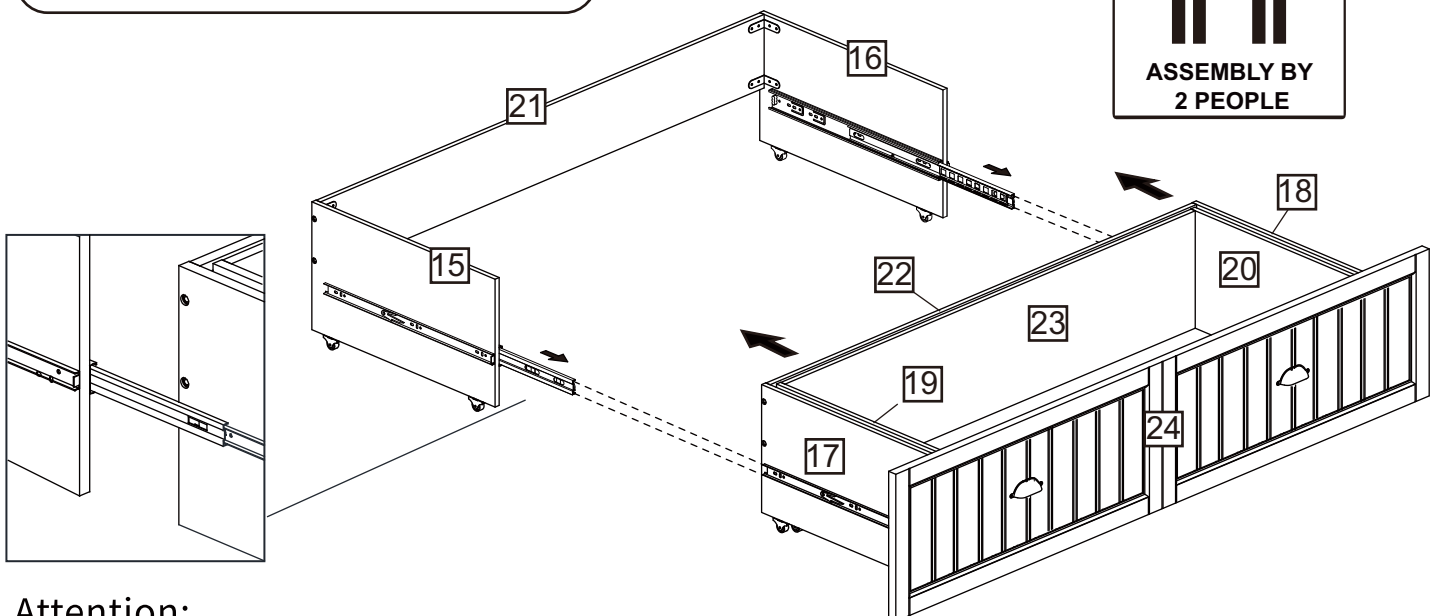
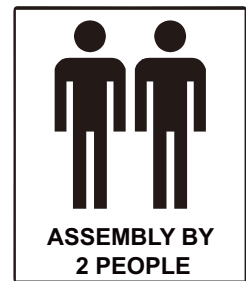
## Step 32

Try to find a partner to install with you, which can speed up the installation efficiency and shorten the time.

Please make sure that the balls in the tracks on both sides are pulled to the top, and then insert the tracks to ensure smooth entry.



1. Drawers must be horizontally put into the cabinets.
2. Make sure both sides sliders match well to avoid damage.



### Attention:

1. Pull out the rail installed on the cabinet.
2. Align the slide runners on the drawer with the unit and push it carefully inside until it stops.

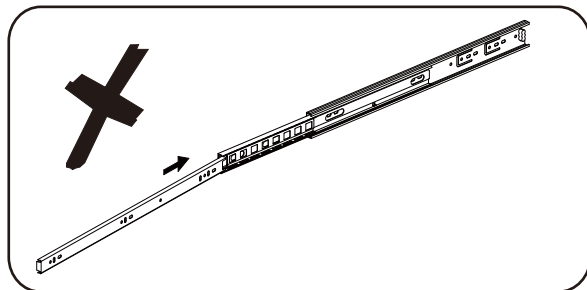
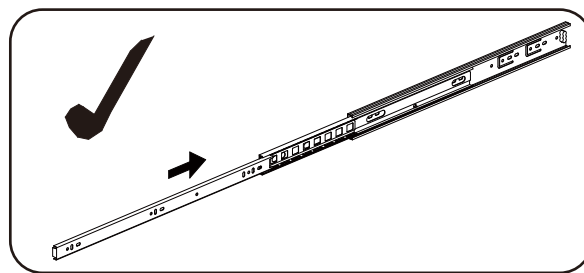
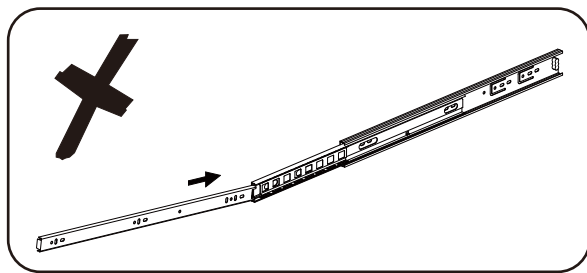
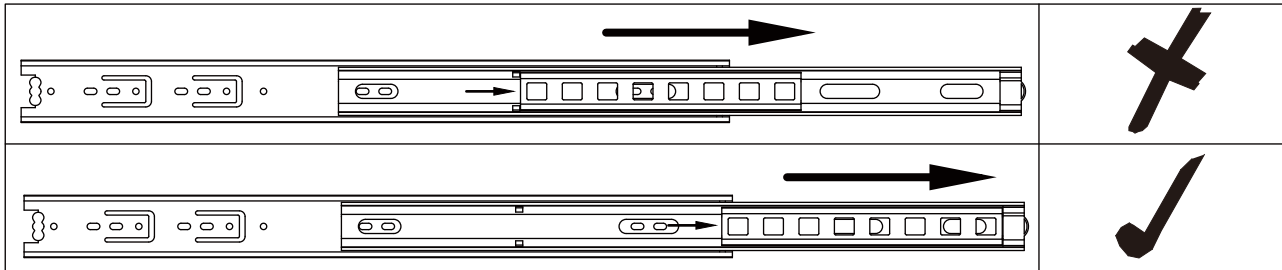
★ If the drawer does not go in smoothly please take it out and repeat the steps.

# Assembly Instructions

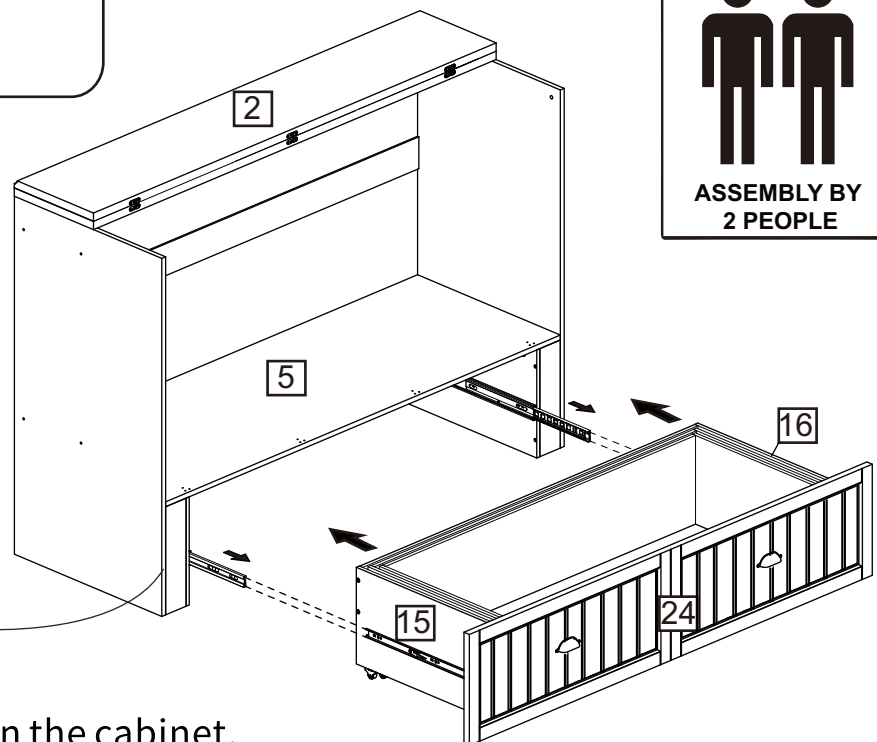
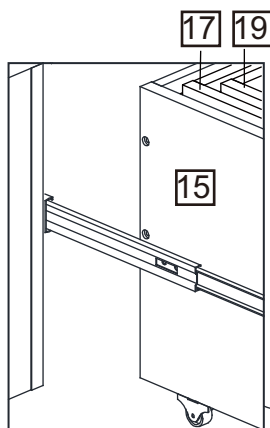
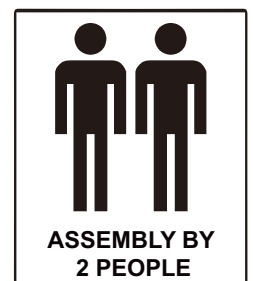
## Step 33

Try to find a partner to install with you, which can speed up the installation efficiency and shorten the time.

Please make sure that the balls in the tracks on both sides are pulled to the top, and then insert the tracks to ensure smooth entry.



1. Drawers must be horizontally put into the cabinets.
2. Make sure both sides sliders match well to avoid damage.



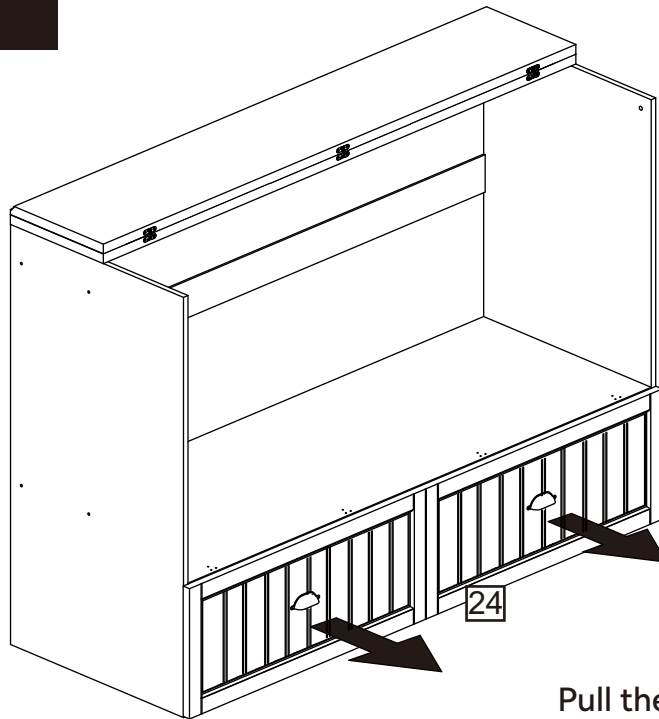
### Attention:

1. Pull out the rail installed on the cabinet.
2. Align the slide runners on the drawer with the unit and push it carefully inside until it stops.

★ If the drawer does not go in smoothly please take it out and repeat the steps.

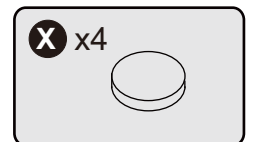
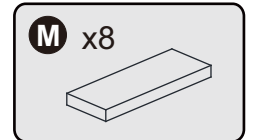
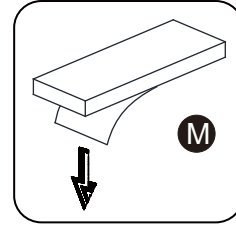
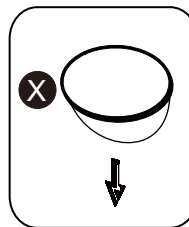
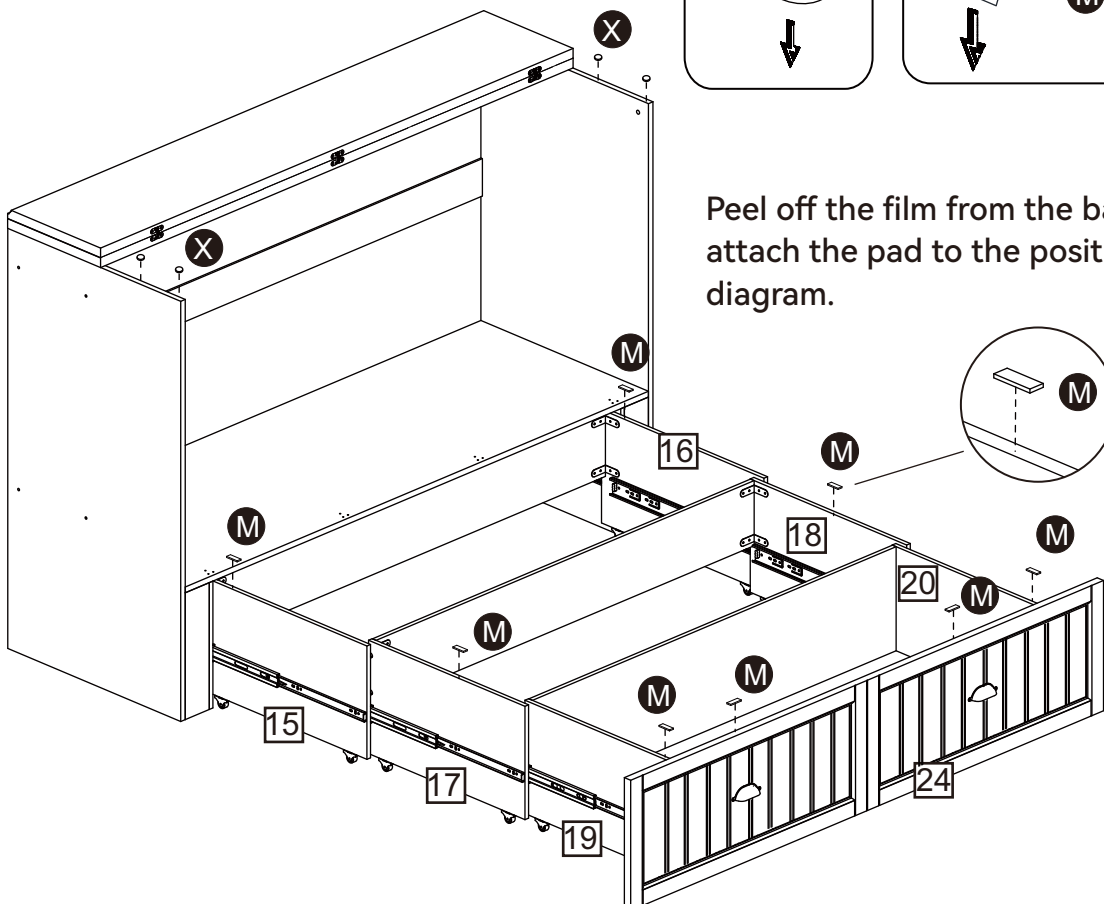
# Assembly Instructions

## Step 34



Pull the drawer slide fully out.

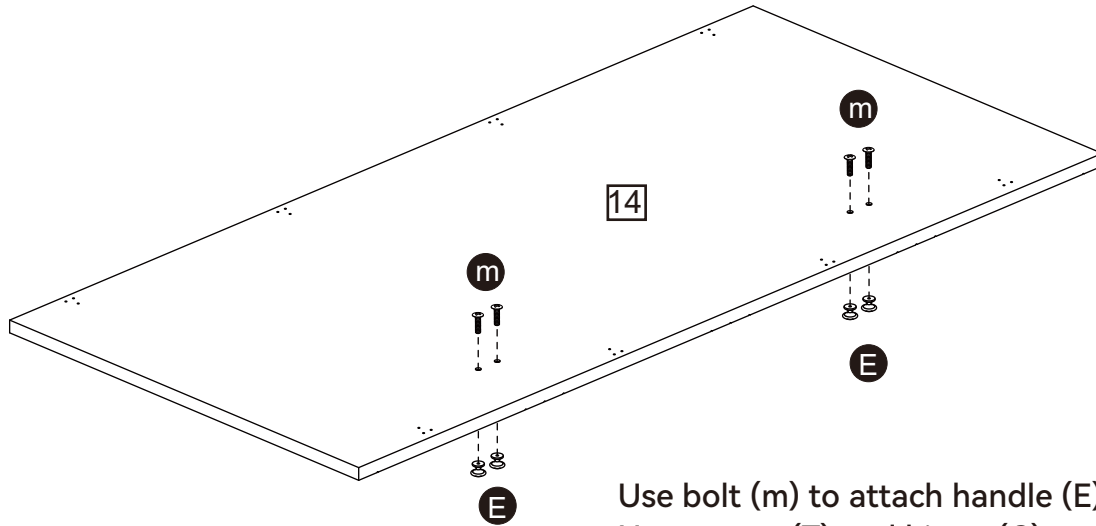
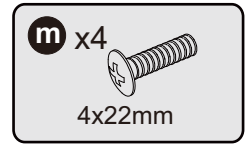
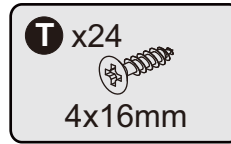
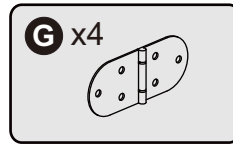
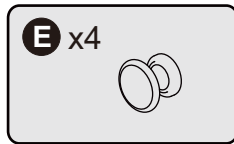
## Step 35



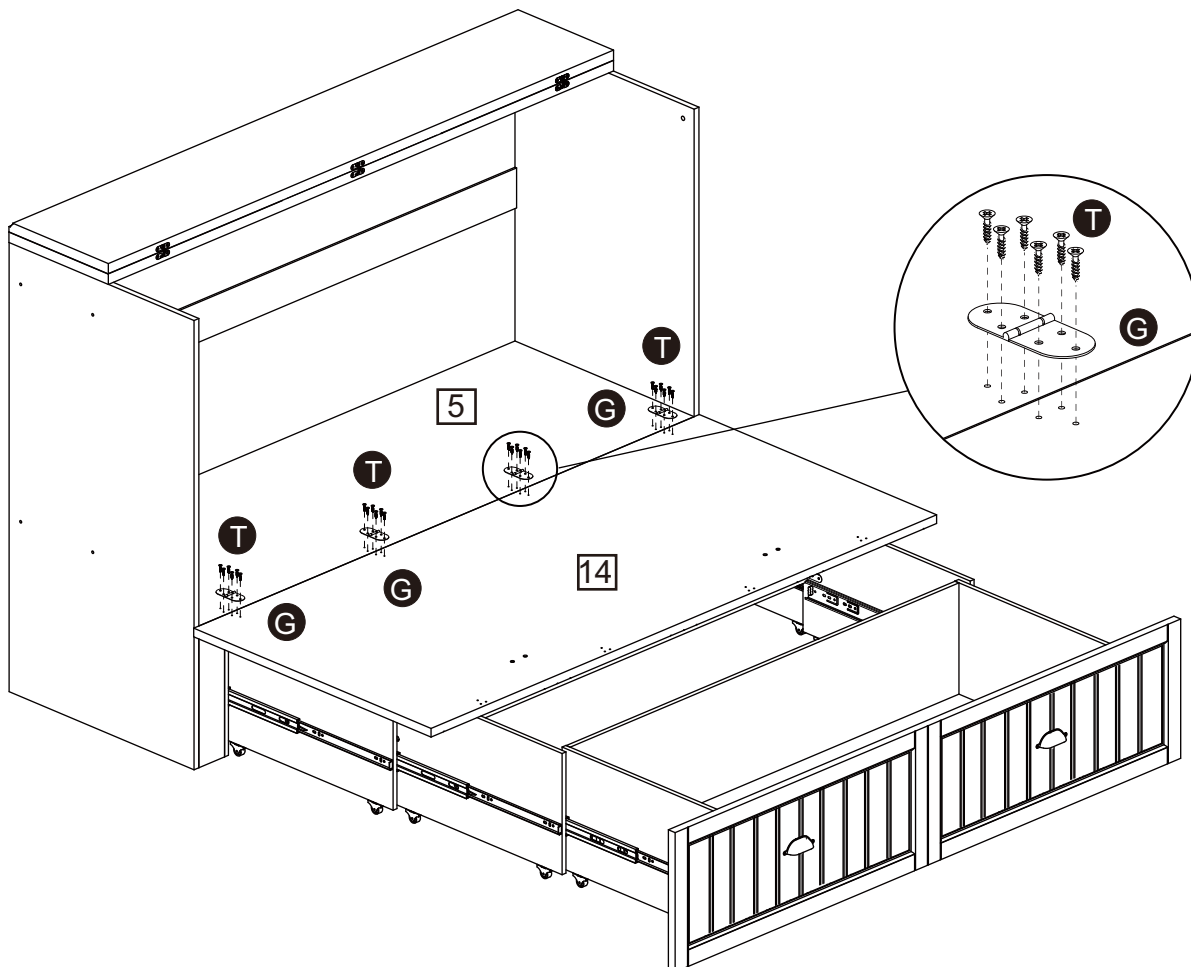
Peel off the film from the back of pad (M), then attach the pad to the position shown in the diagram.

# Assembly Instructions

## Step 36

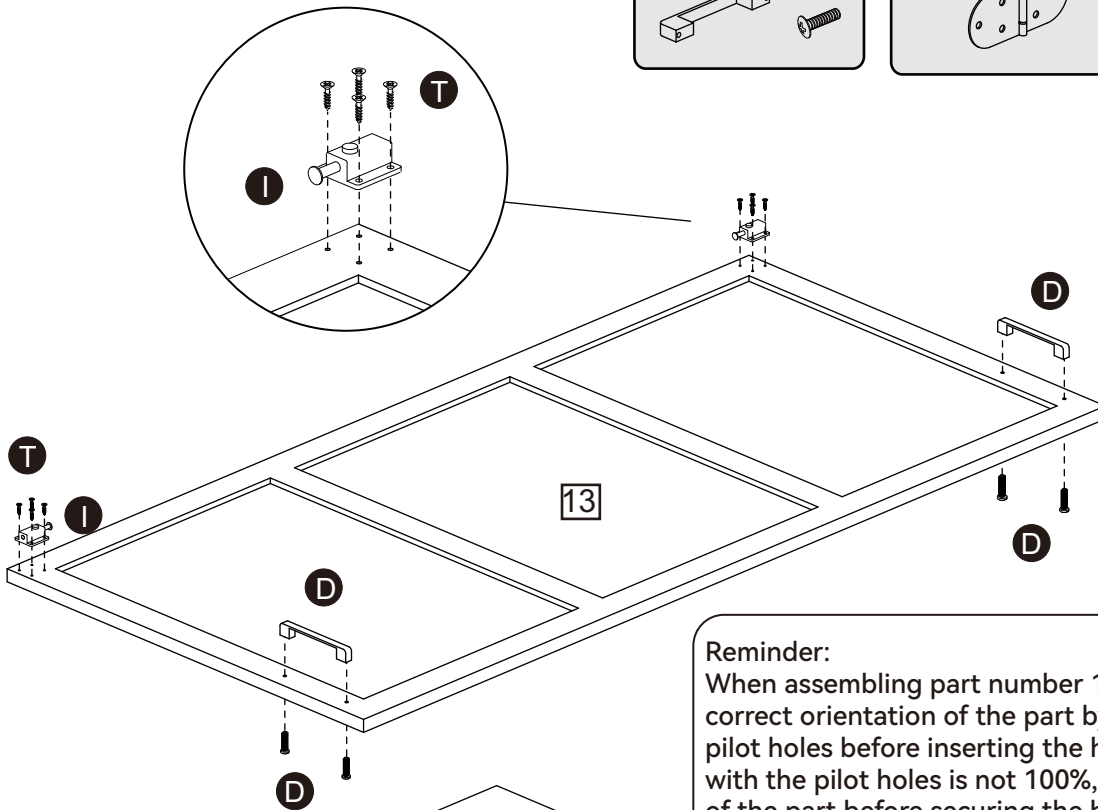
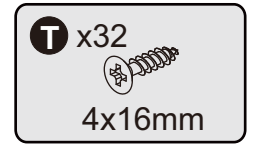
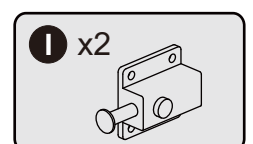
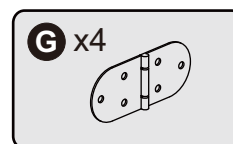
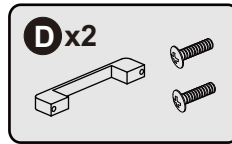


Use bolt (m) to attach handle (E) to Part (14).  
Use screws (T) and hinge (G) to connect Parts (5) and (14).

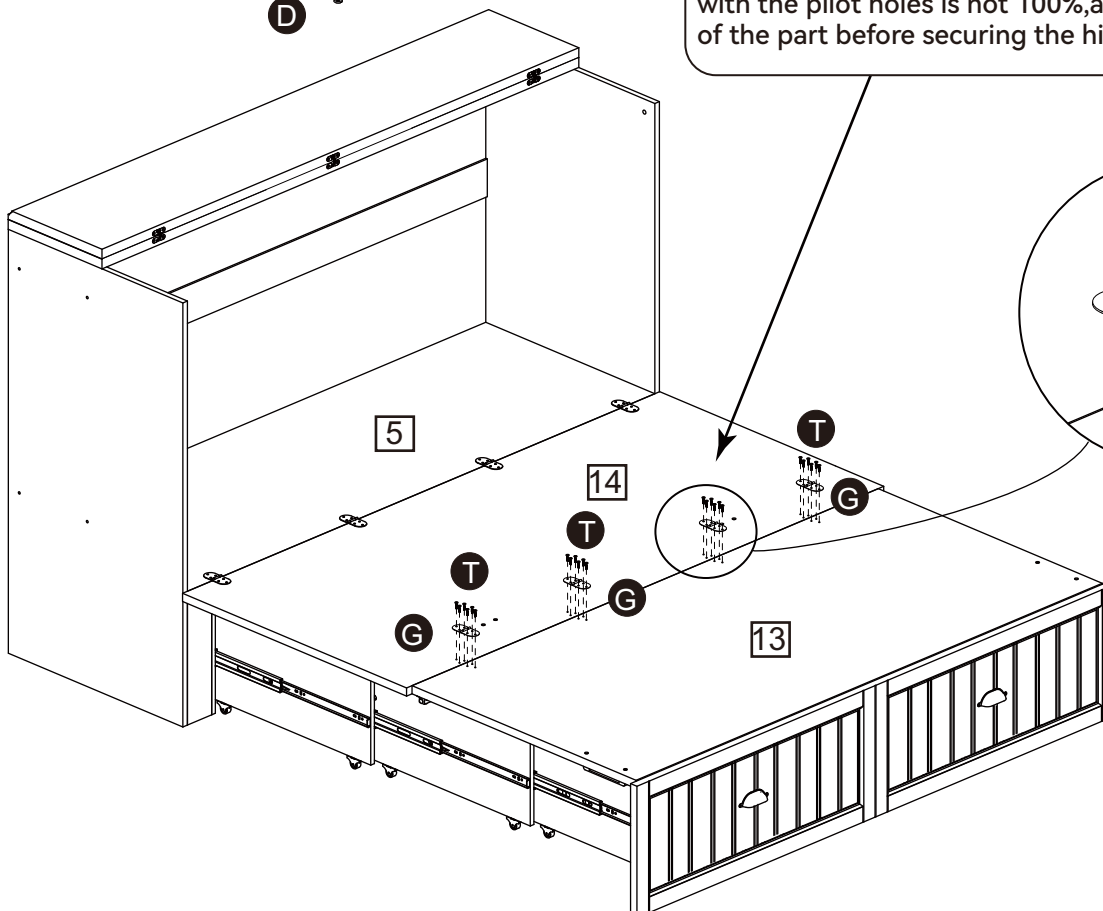


# Assembly Instructions

## Step 37



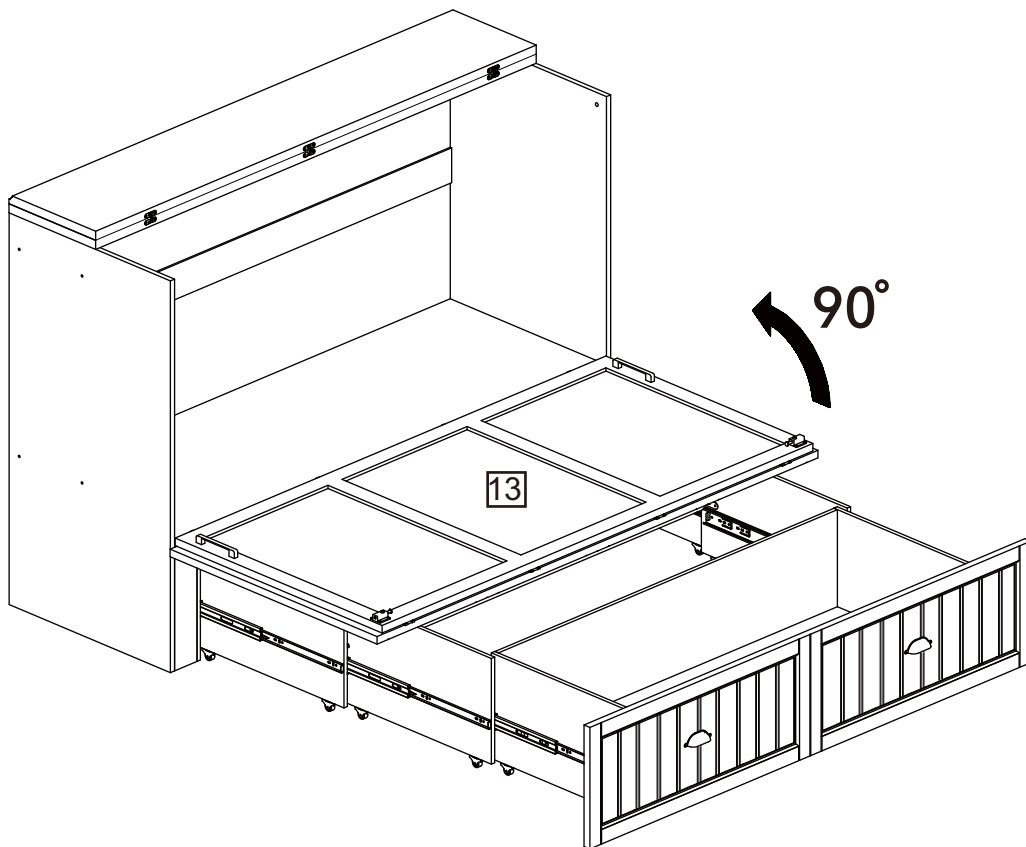
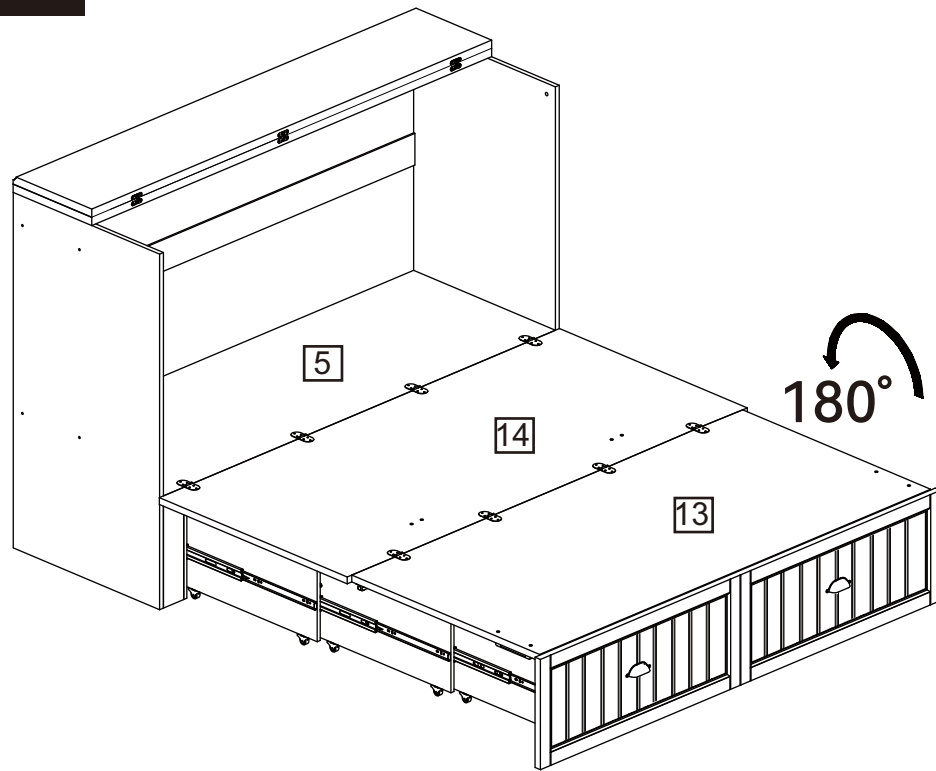
**Reminder:**  
When assembling part number 14, determine the correct orientation of the part by comparing with the pilot holes before inserting the hinge. If the alignment with the pilot holes is not 100%, adjust the orientation of the part before securing the hinge.



Use screws (T) to attach latch (I) and handle (D) to Part (13). Then use screws (T) and hinge (G) to connect Parts (13) and (14).

# Assembly Instructions

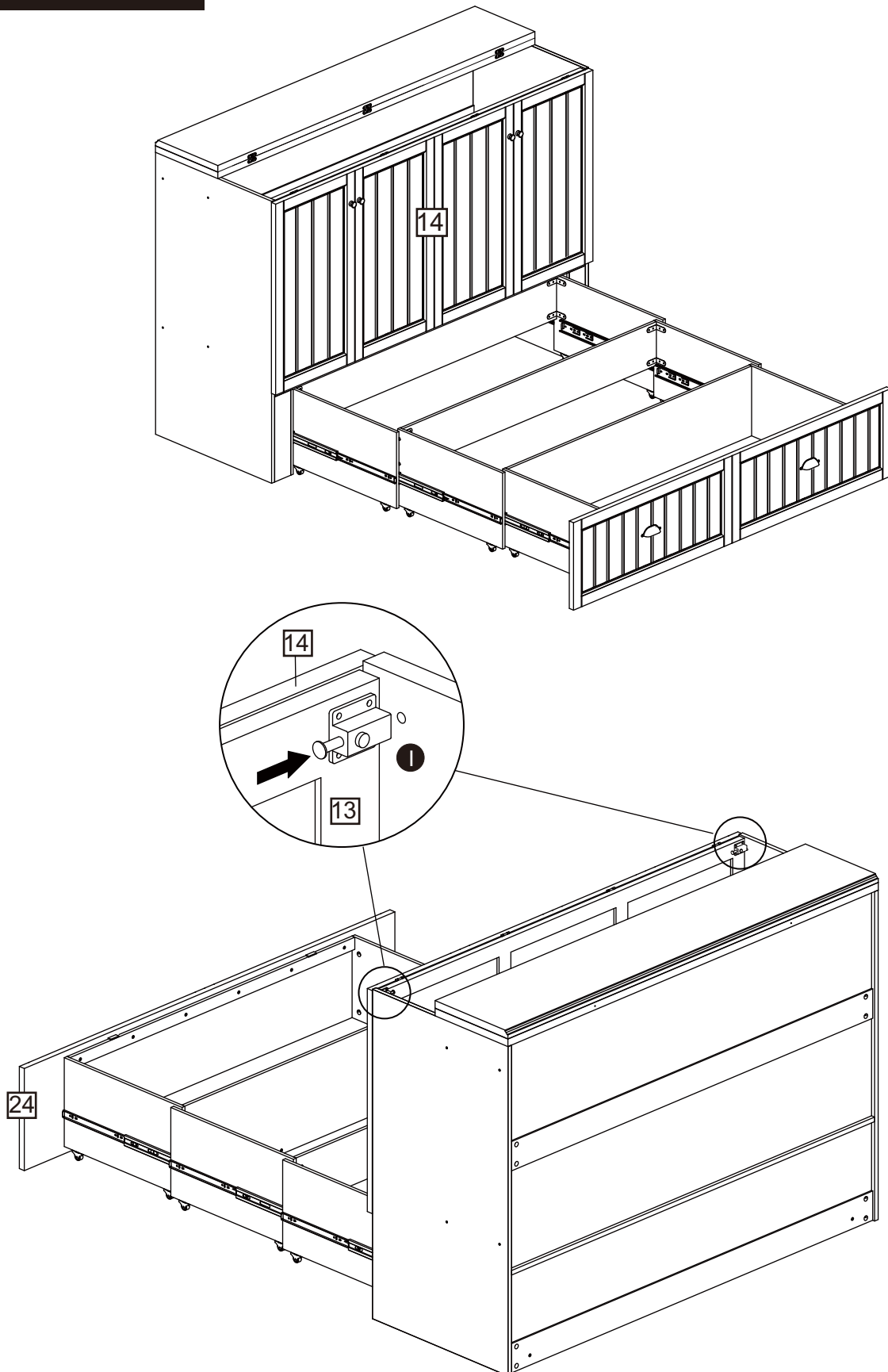
## Step 38



Flip Part (13) upward 180°, then flip Parts (13) and (14) together upward 90°.

# Assembly Instructions

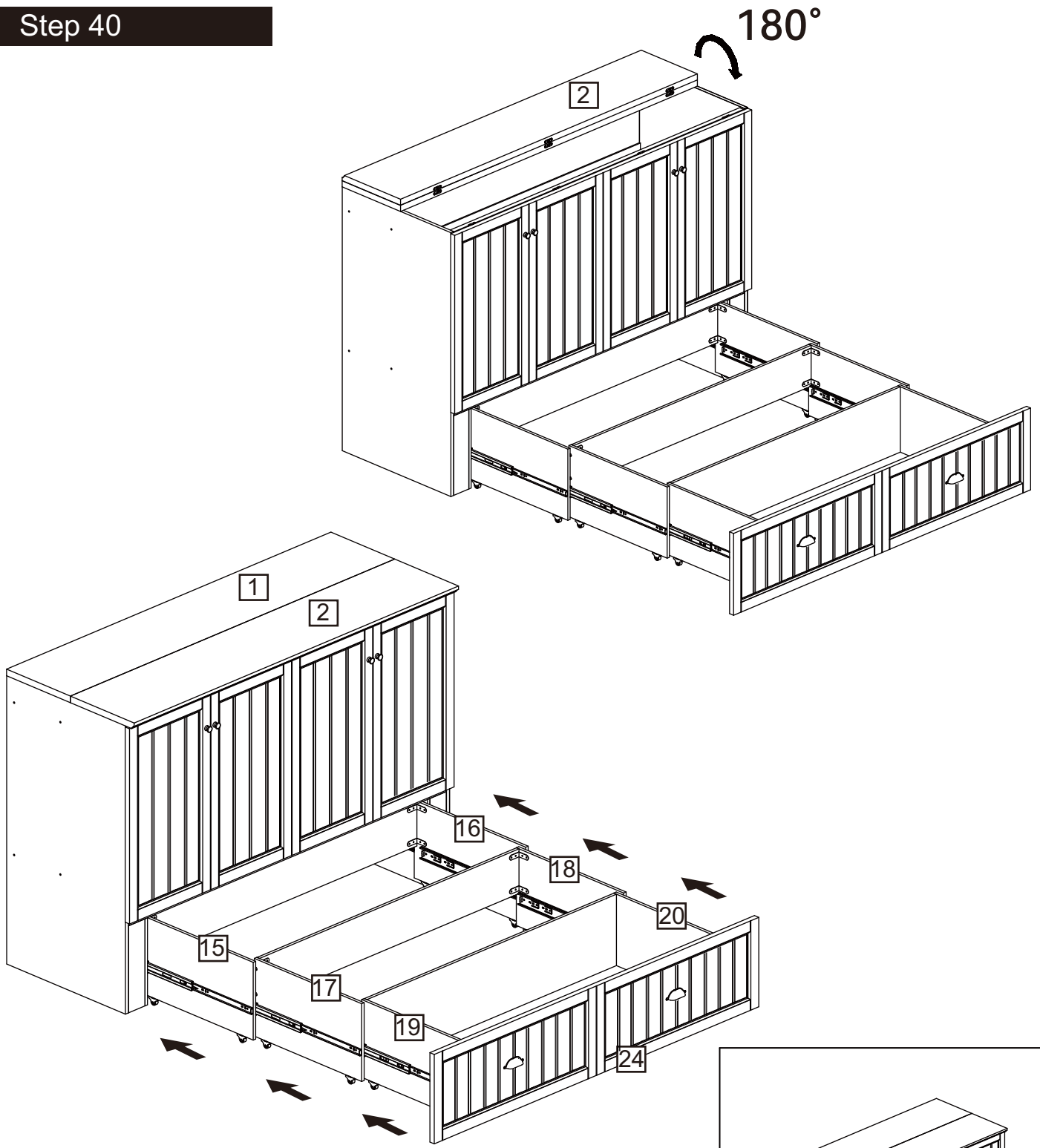
## Step 39



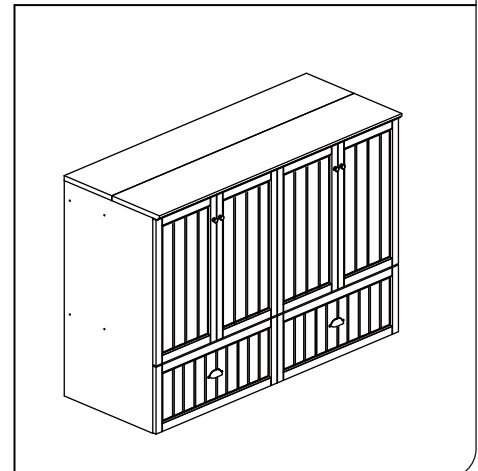
Push the latch (l) upward to lock Part (13).

# Assembly Instructions

## Step 40

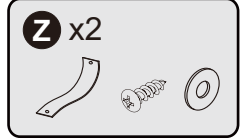
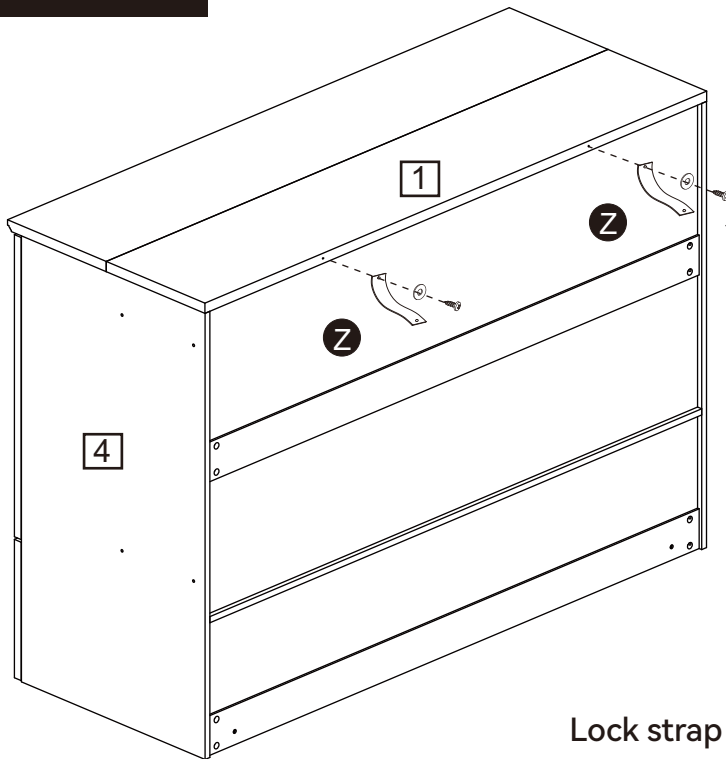


Flip Part (2) forward 180°. Close the drawer.



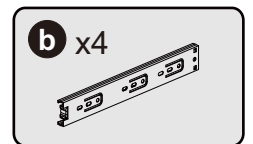
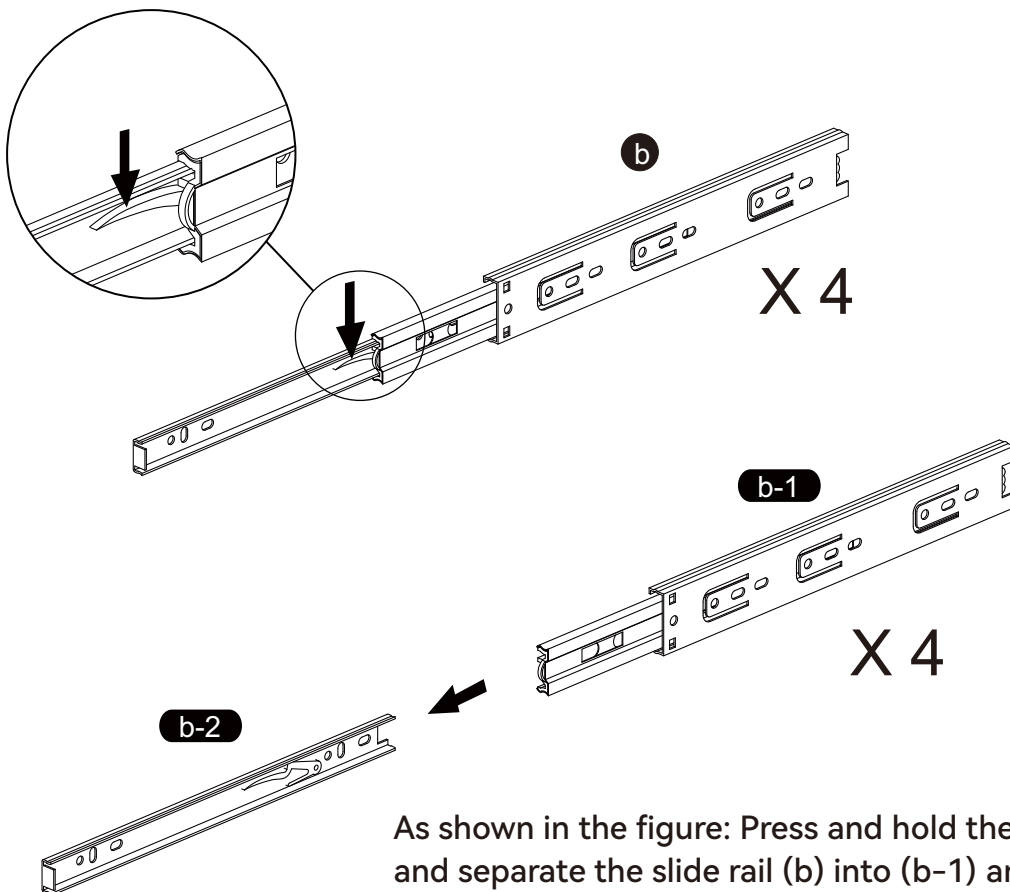
# Assembly Instructions

## Step 41



Lock strap (Z) onto Part (1).

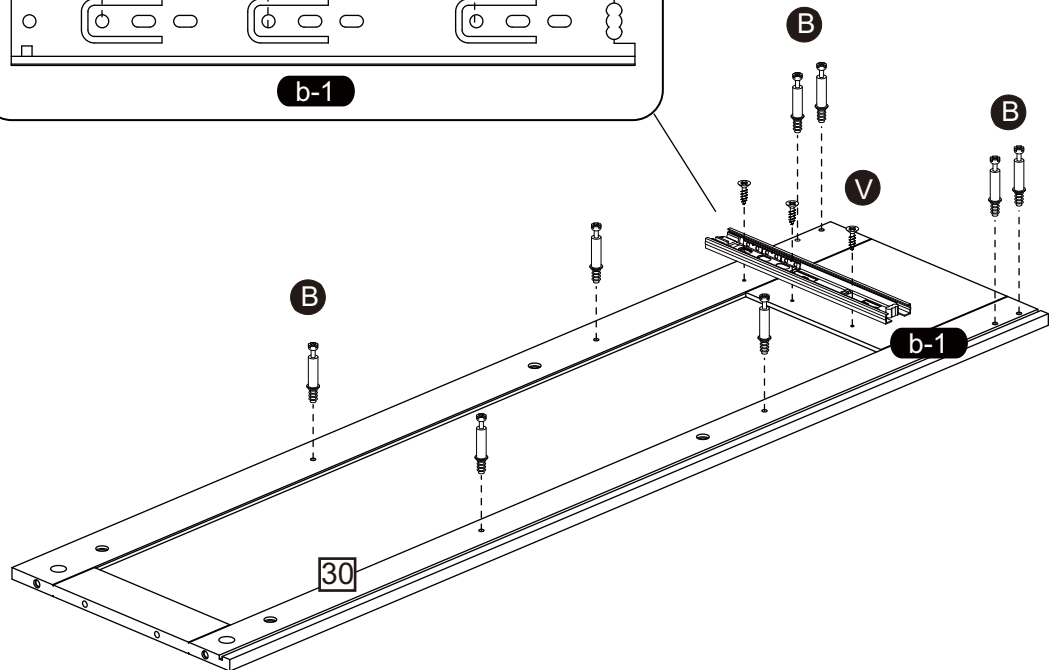
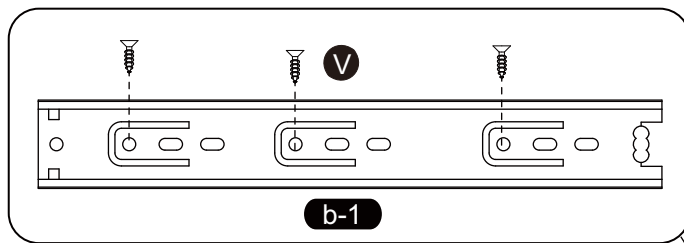
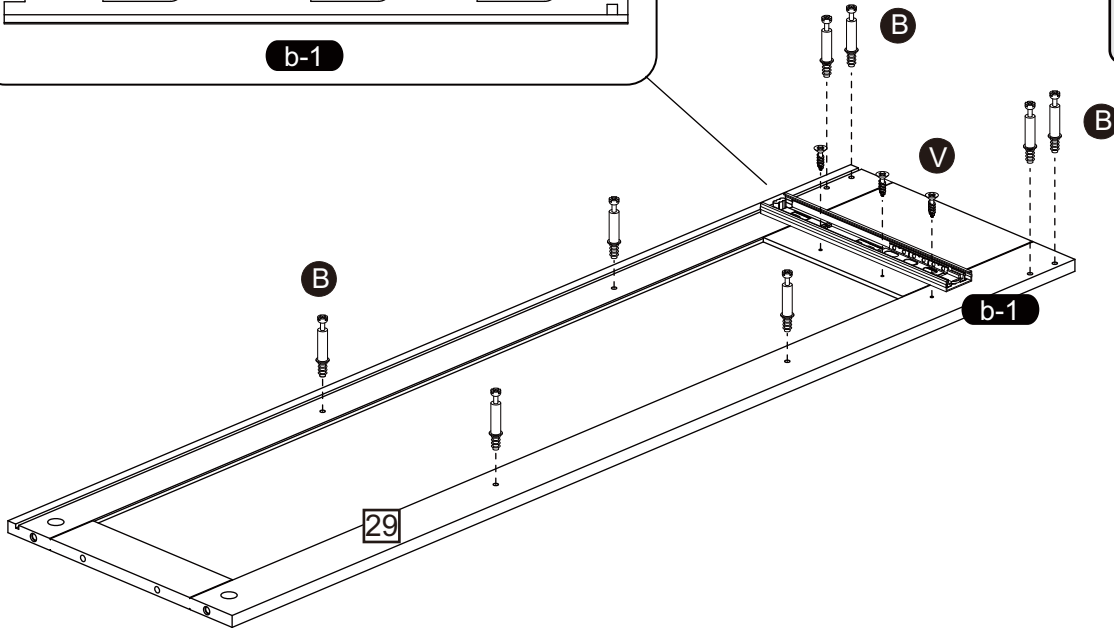
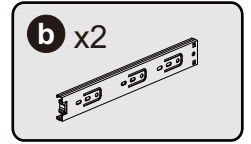
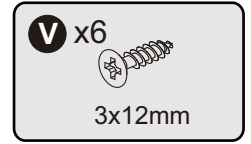
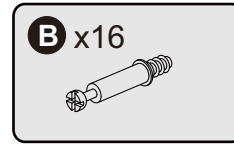
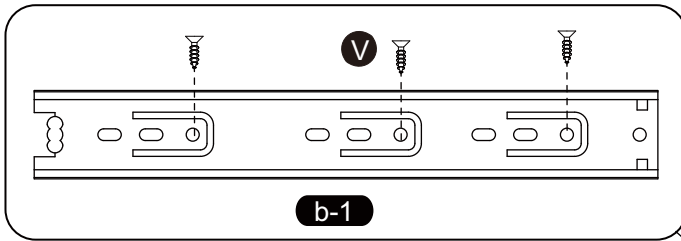
## Step 42



As shown in the figure: Press and hold the slide rail release, and separate the slide rail (b) into (b-1) and (b-2).

# Assembly Instructions

## Step 43

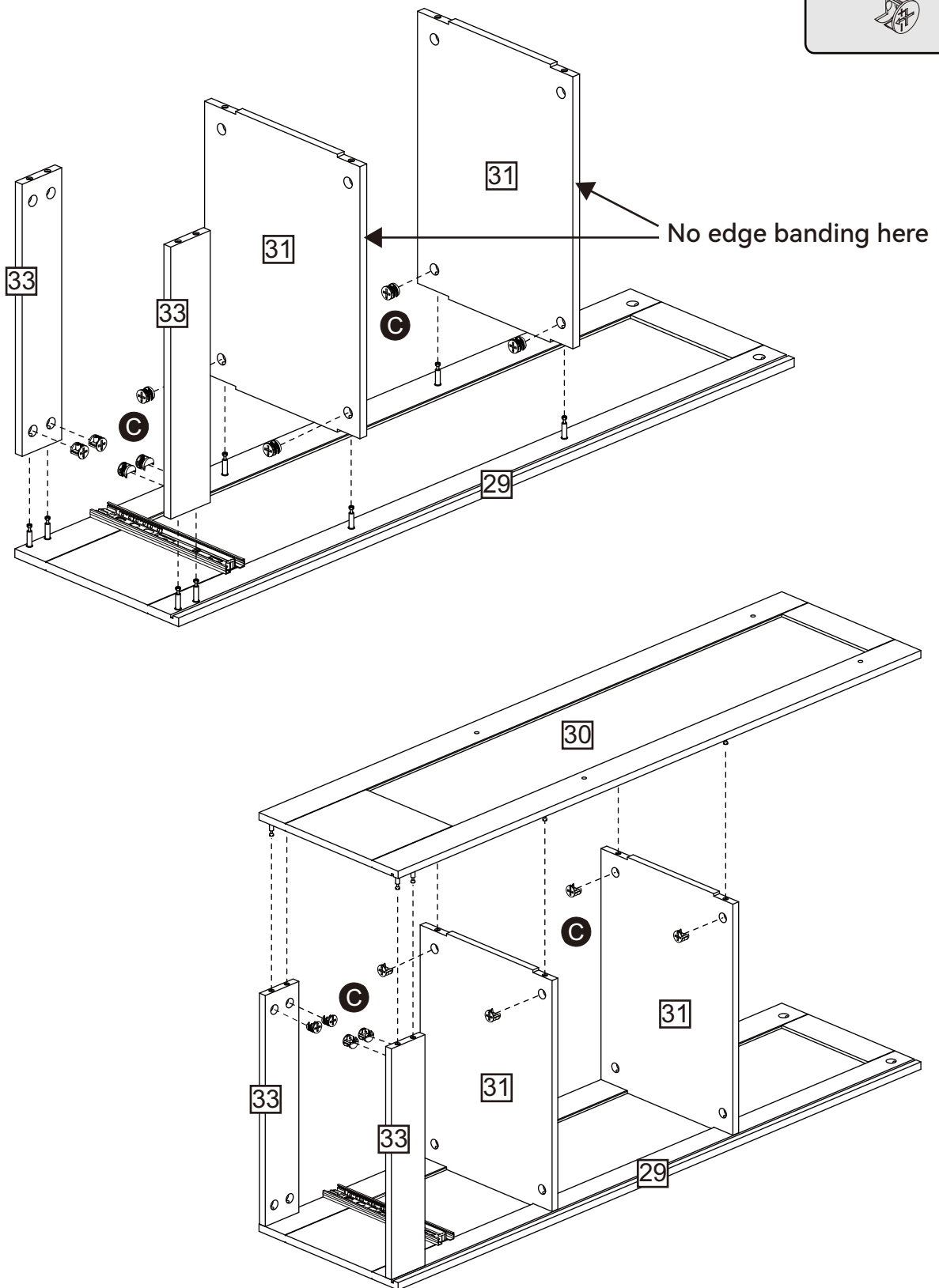


Use screw (V) to attach slide rail (b-1) to Part (29), and lock the screw rod (B) onto Part (29). Use screw (V) to attach slide rail (b-1) to Part (30), and lock the screw rod (B) onto Part (30). (Pay attention to the mounting holes of slide rail (b-1).)

# Assembly Instructions

## Step 44

**C** x16



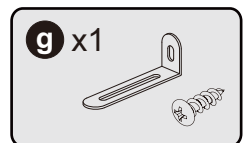
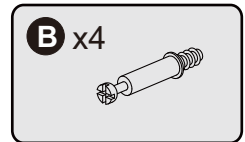
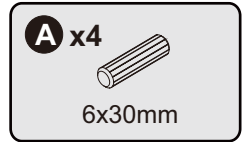
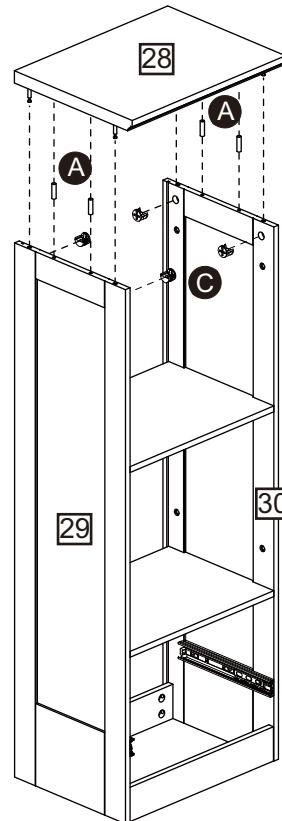
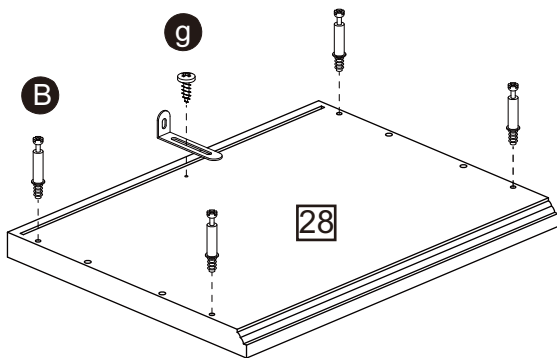
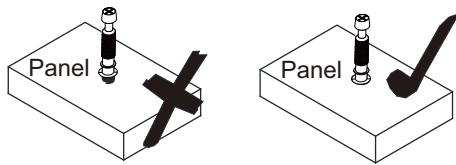
Use cam locks (C) to secure Parts (31) and (33) to Part (29). Then attach Part (30) to Parts (31) and (33), insert cam locks (C), and tighten.

# Assembly Instructions

## Step 45

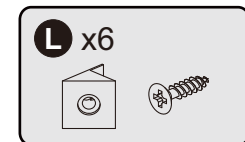
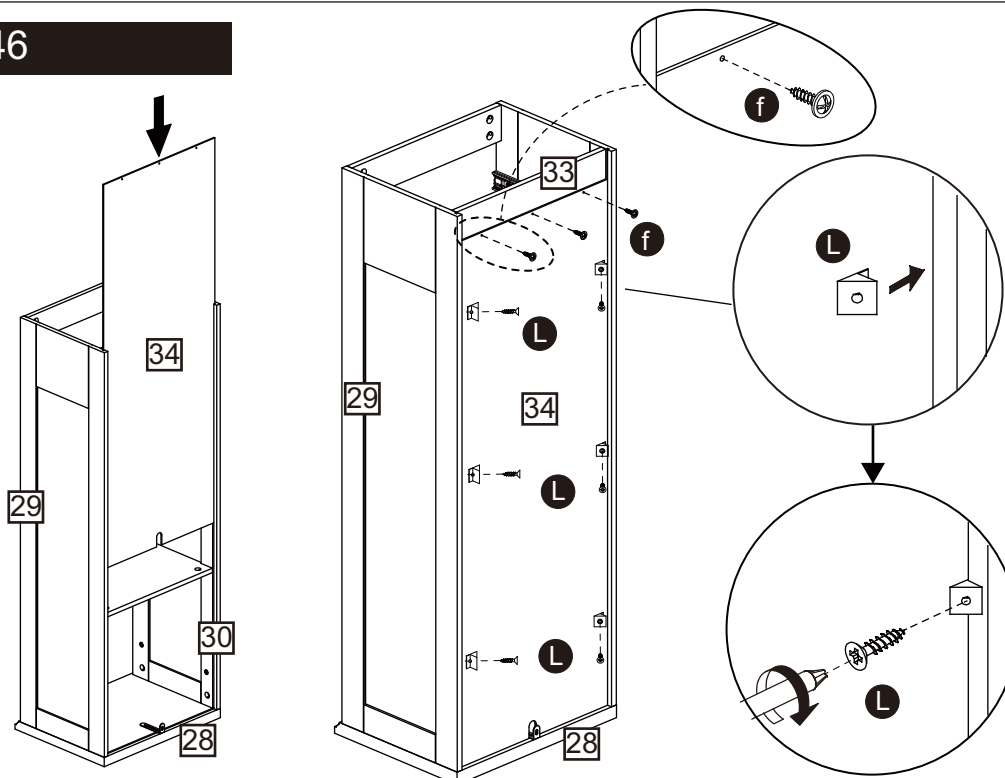
### CAM-LOCK

Tighten until shoulder is flush with panel. Do not overtighten or undertighten (see example below)



Fix the screw rod (B) to Part (28), and fix the metal plate (g) to Part (28). Insert dowels (A) into Parts (29) and (30). Attach Part (28) to Parts (29) and (30), insert cam locks (C), and tighten.

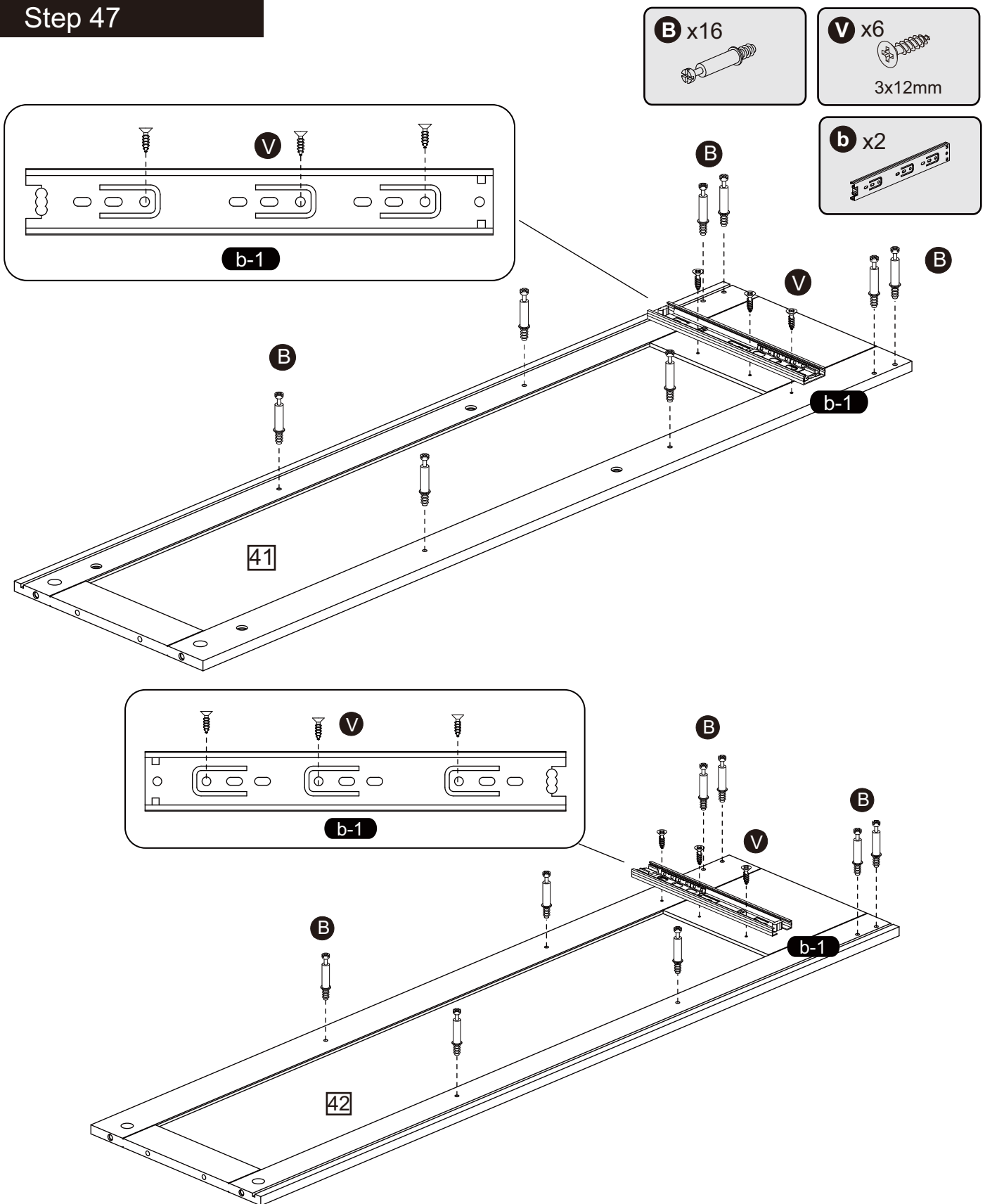
## Step 46



Insert back panel 34. Insert the back-panel clip (L) into the back-panel slot, then secure it with screws. Finally, fasten back panel 34 with three screws (f).

# Assembly Instructions

## Step 47

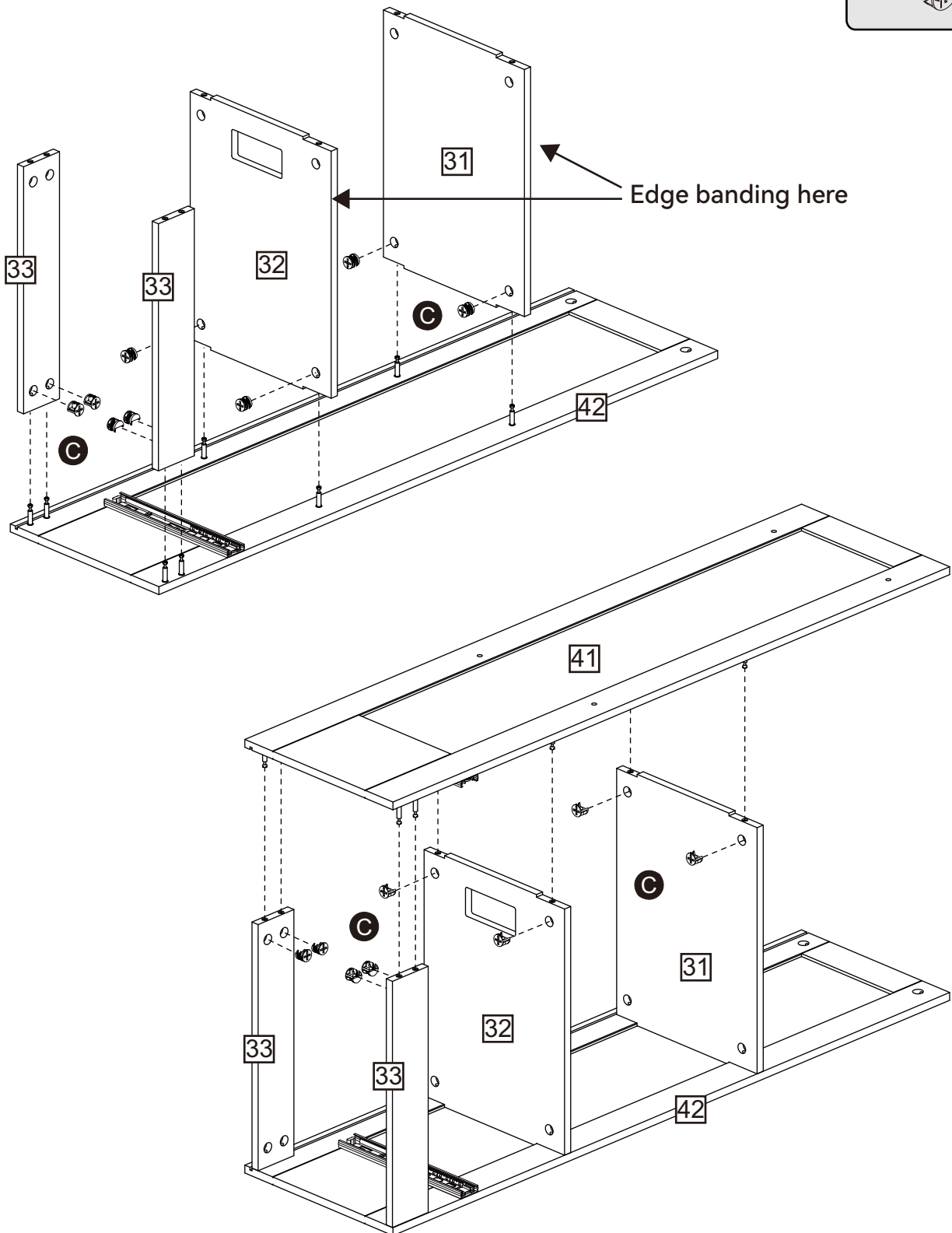


Use screw (V) to attach slide rail (b-1) to Part (41), and lock screw rod (B) onto Part (41). Use screw (V) to attach slide rail (b-1) to Part (42), and lock screw rod (B) onto Part (42).

# Assembly Instructions

## Step 48

C x16



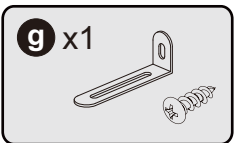
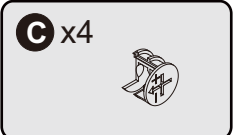
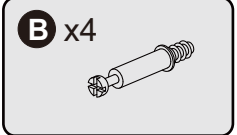
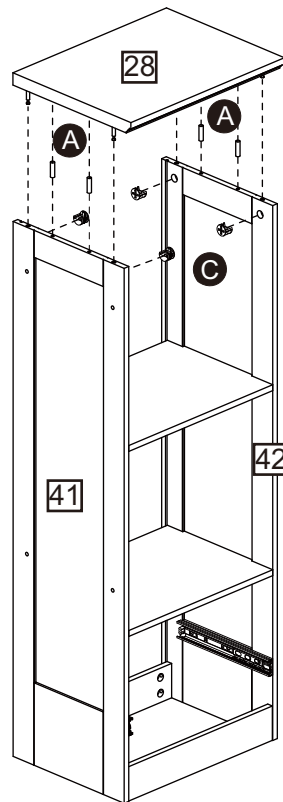
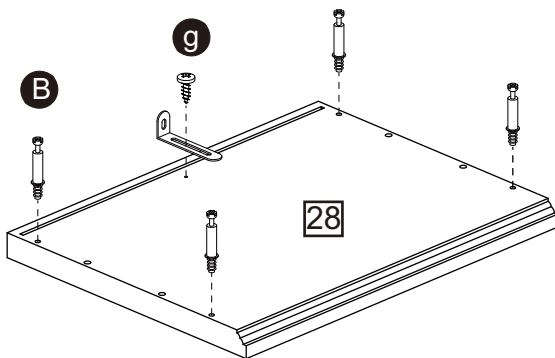
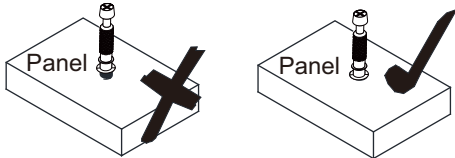
Use cam locks (C) to secure Parts (31), (32), and (33) to Part (42). Then attach Part (41) to Parts (31), (32), and (33), insert cam locks (C), and tighten.

# Assembly Instructions

## Step 49

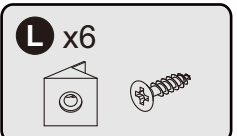
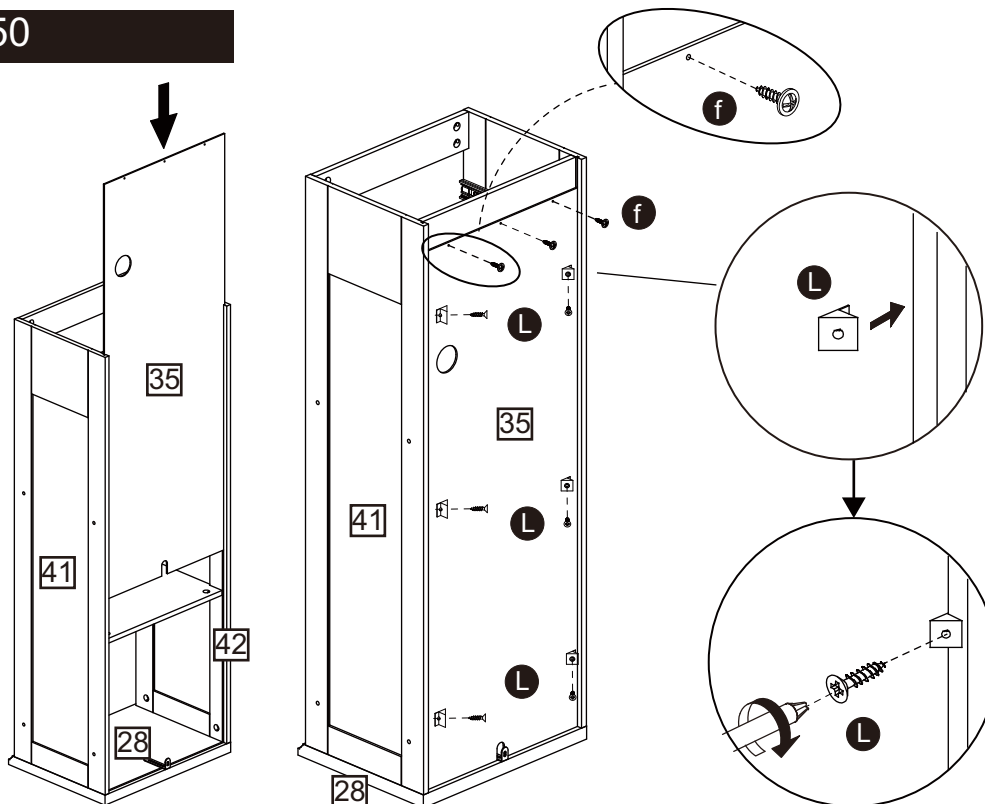
### CAM-LOCK

Tighten until shoulder is flush with panel. Do not overtighten or undertighten (see example below)



Fix the screw rod (B) to Part (28) and fix the metal plate (g) to Part (28). Insert dowels (A) into Parts (41) and (42). Attach Part (28) to Parts (41) and (42), insert cam locks (C), and tighten.

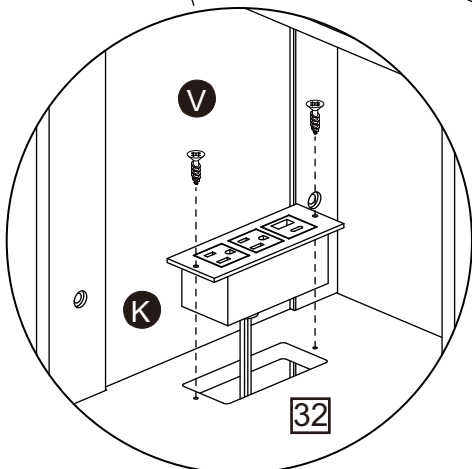
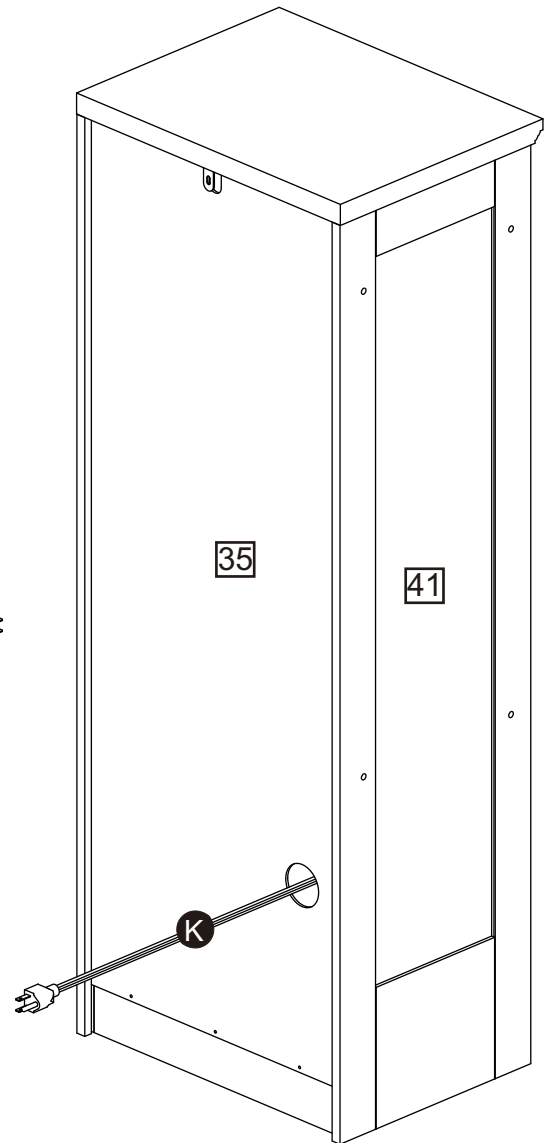
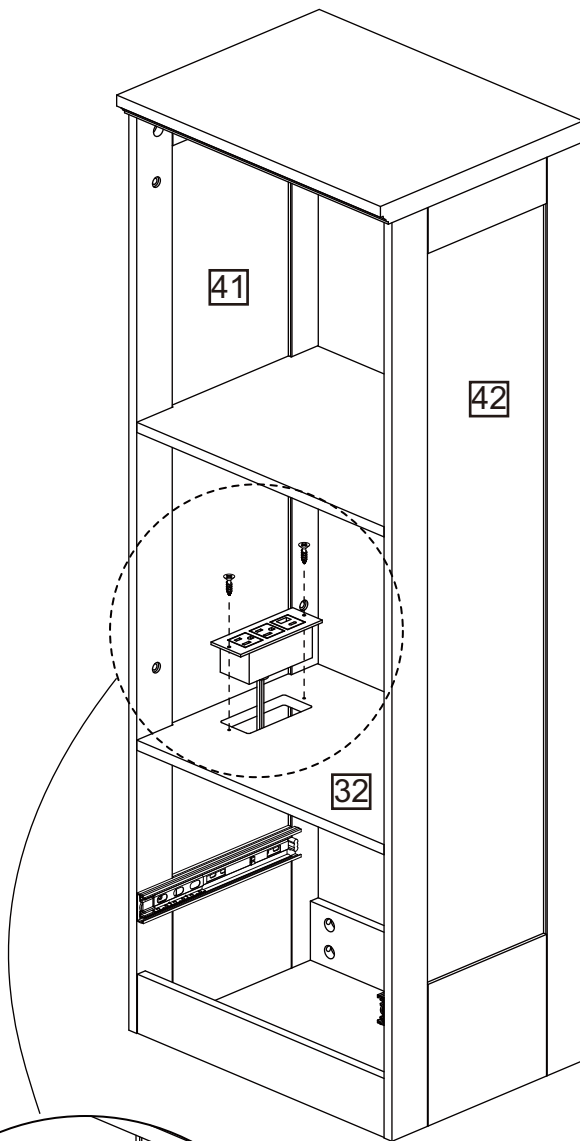
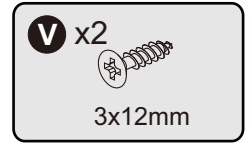
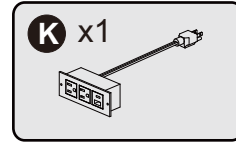
## Step 50



Insert back panel (35). Insert the back-panel clip (L) into the back-panel slot, then tighten with screws. Finally, fasten back panel (35) with three screws (f).

# Assembly Instructions

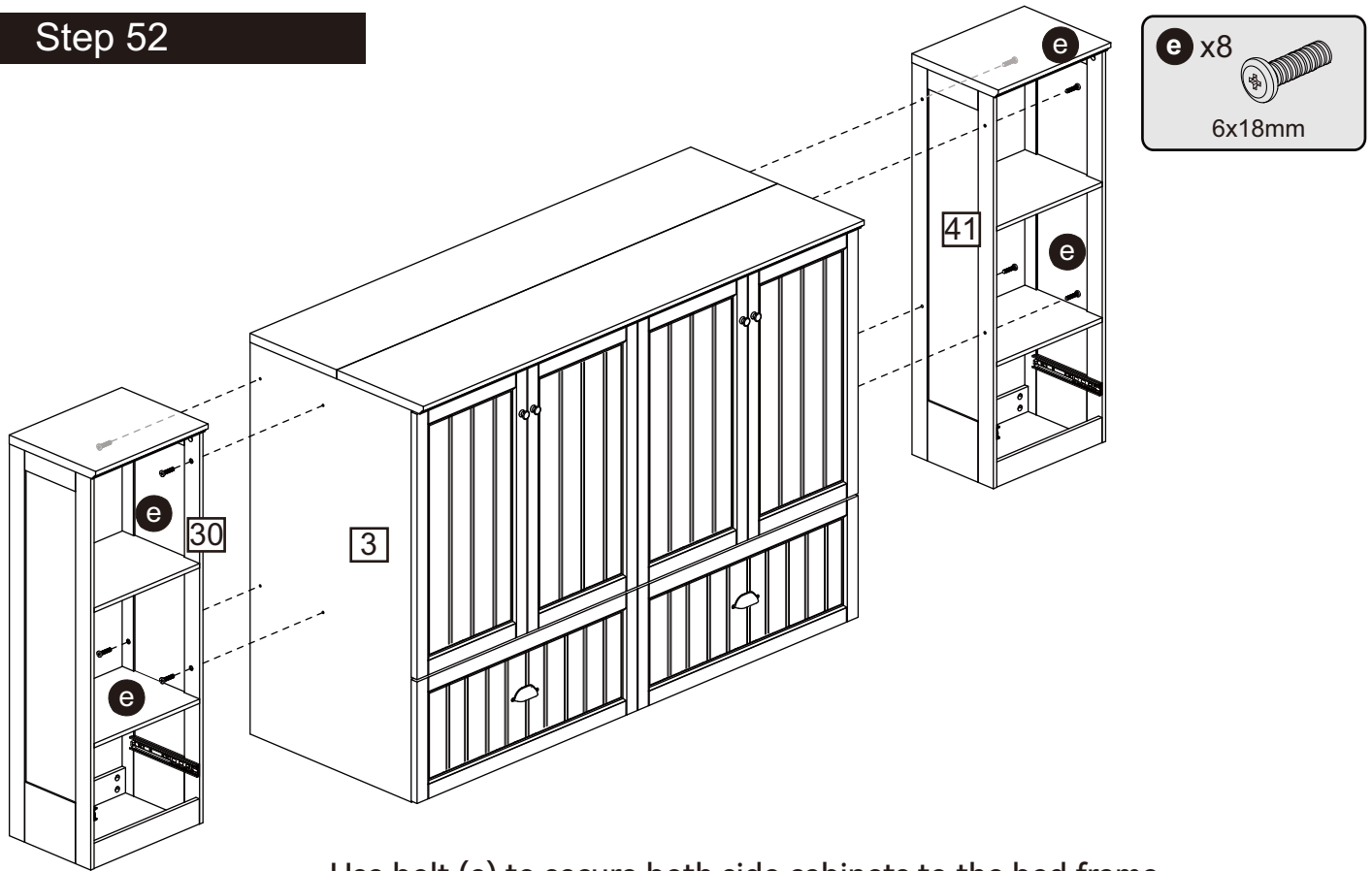
## Step 51



Use screw (V) to attach the power strip (K) to Part (32).

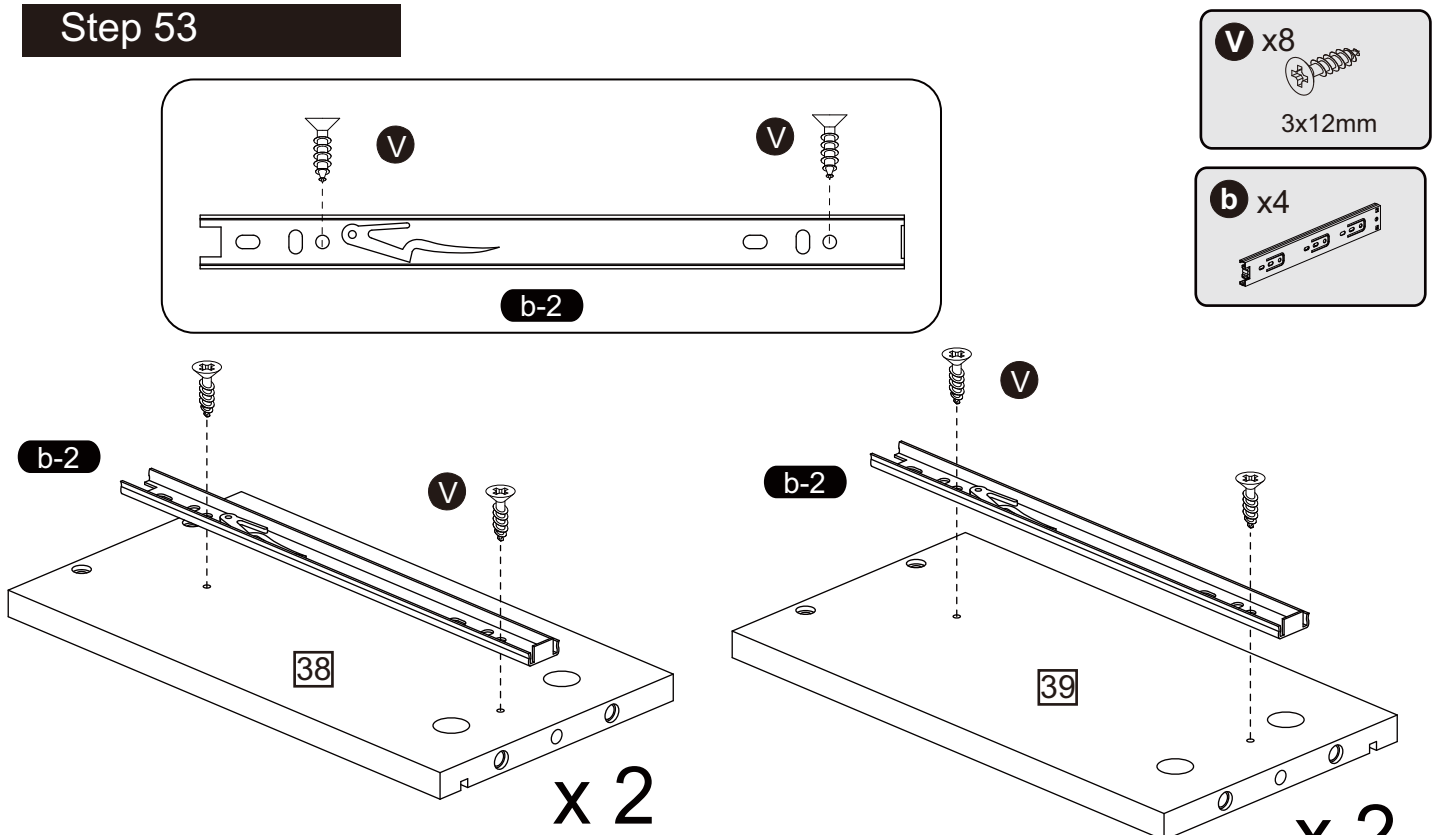
# Assembly Instructions

## Step 52



Use bolt (e) to secure both side cabinets to the bed frame.

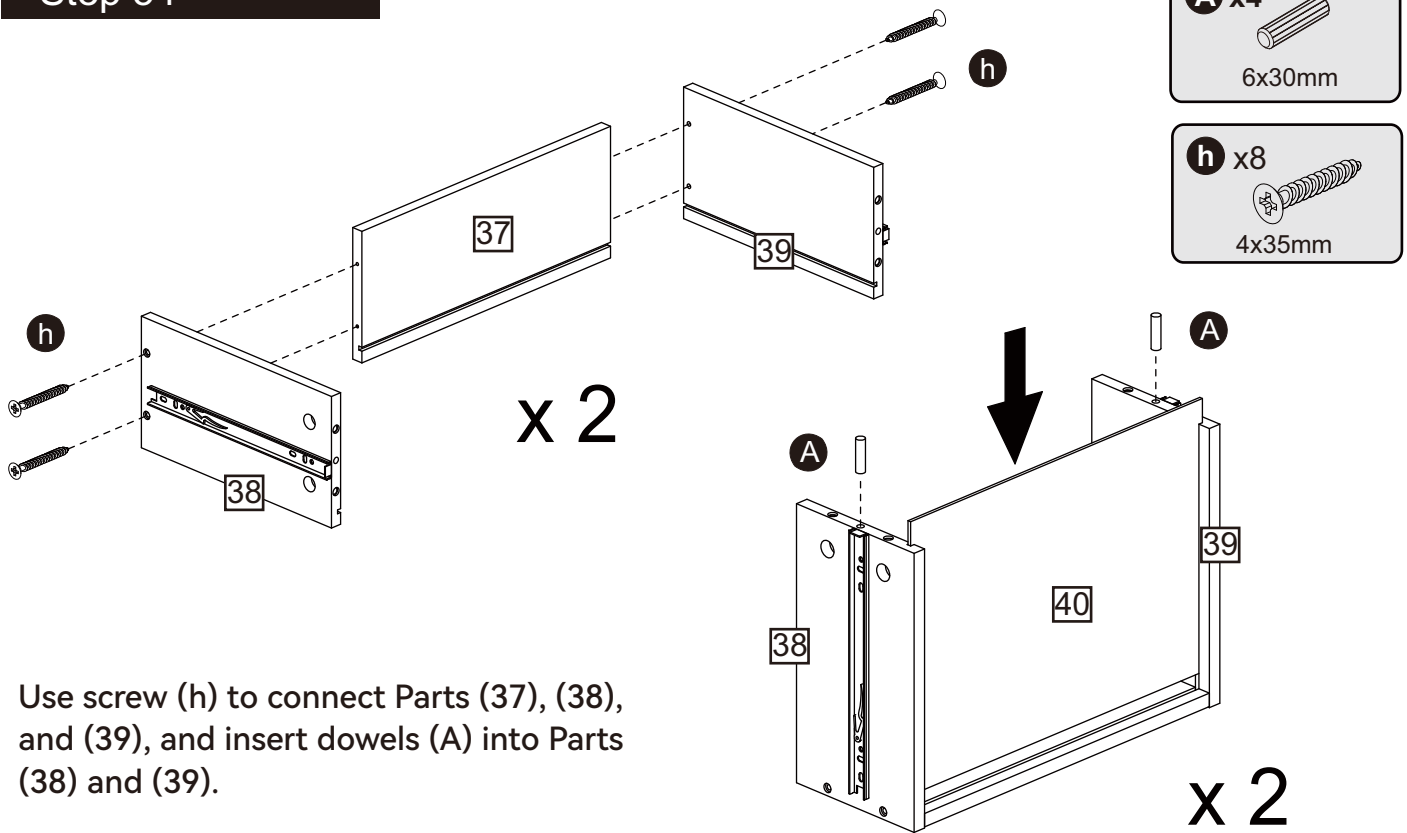
## Step 53



Use screw (V) to fasten slide rail (b-2) to Parts (38) and (39).

# Assembly Instructions

## Step 54

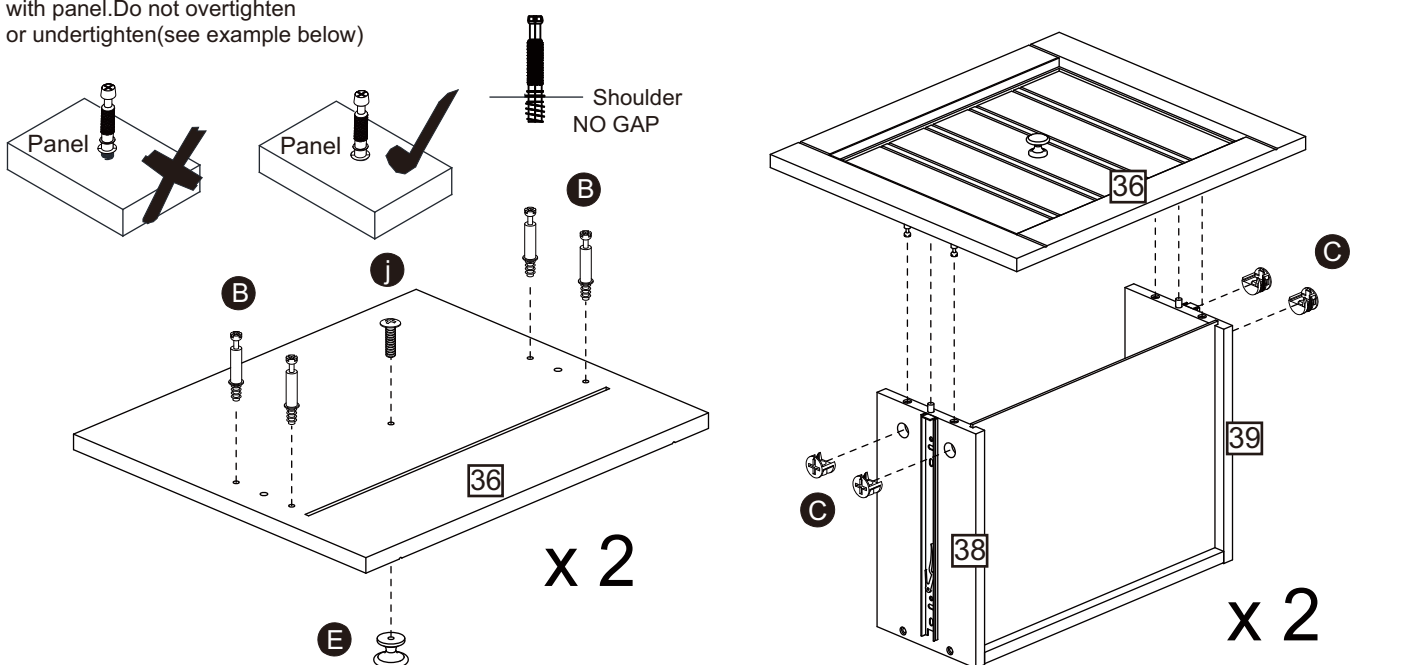


Use screw (h) to connect Parts (37), (38), and (39), and insert dowels (A) into Parts (38) and (39).

## Step 55

### CAM-LOCK

Tighten until shoulder is flush with panel. Do not overtighten or undertighten (see example below)

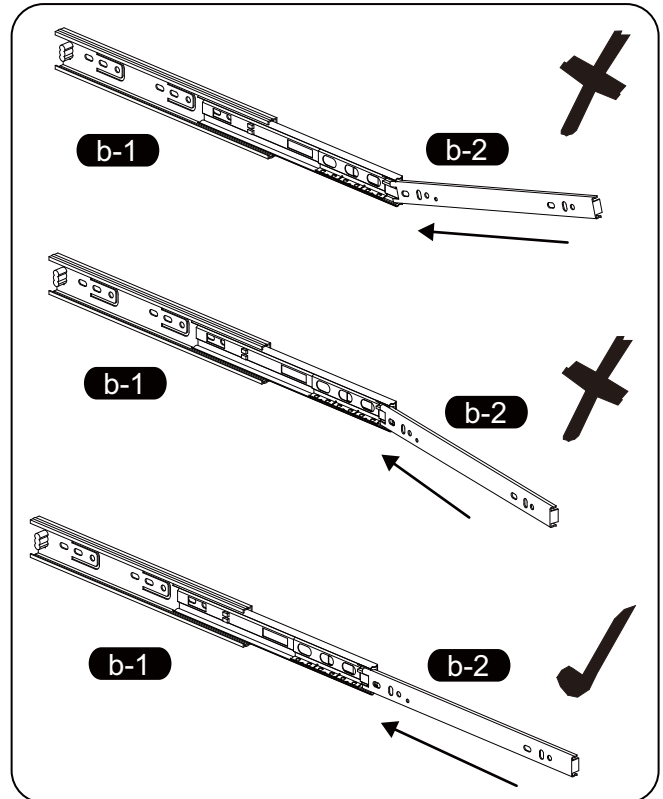
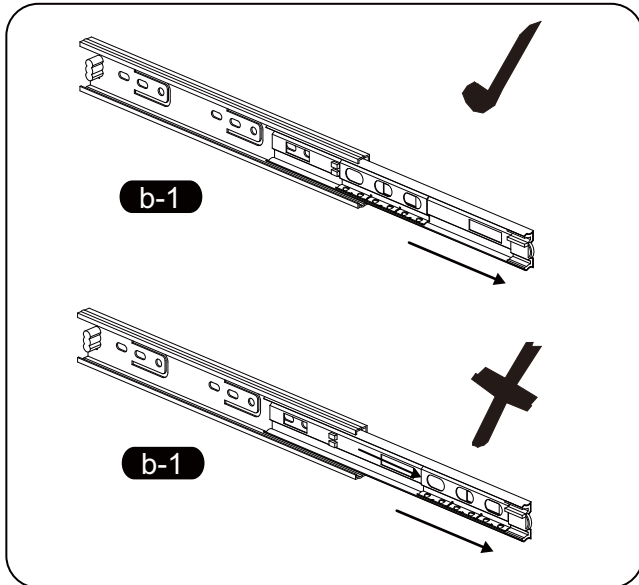


Install the screw rod (B) on Part (36). Use bolt (j) to attach handle (E) to Part (36). Fix Part (36) to Parts (38) and (39), insert cam locks (C), and tighten.

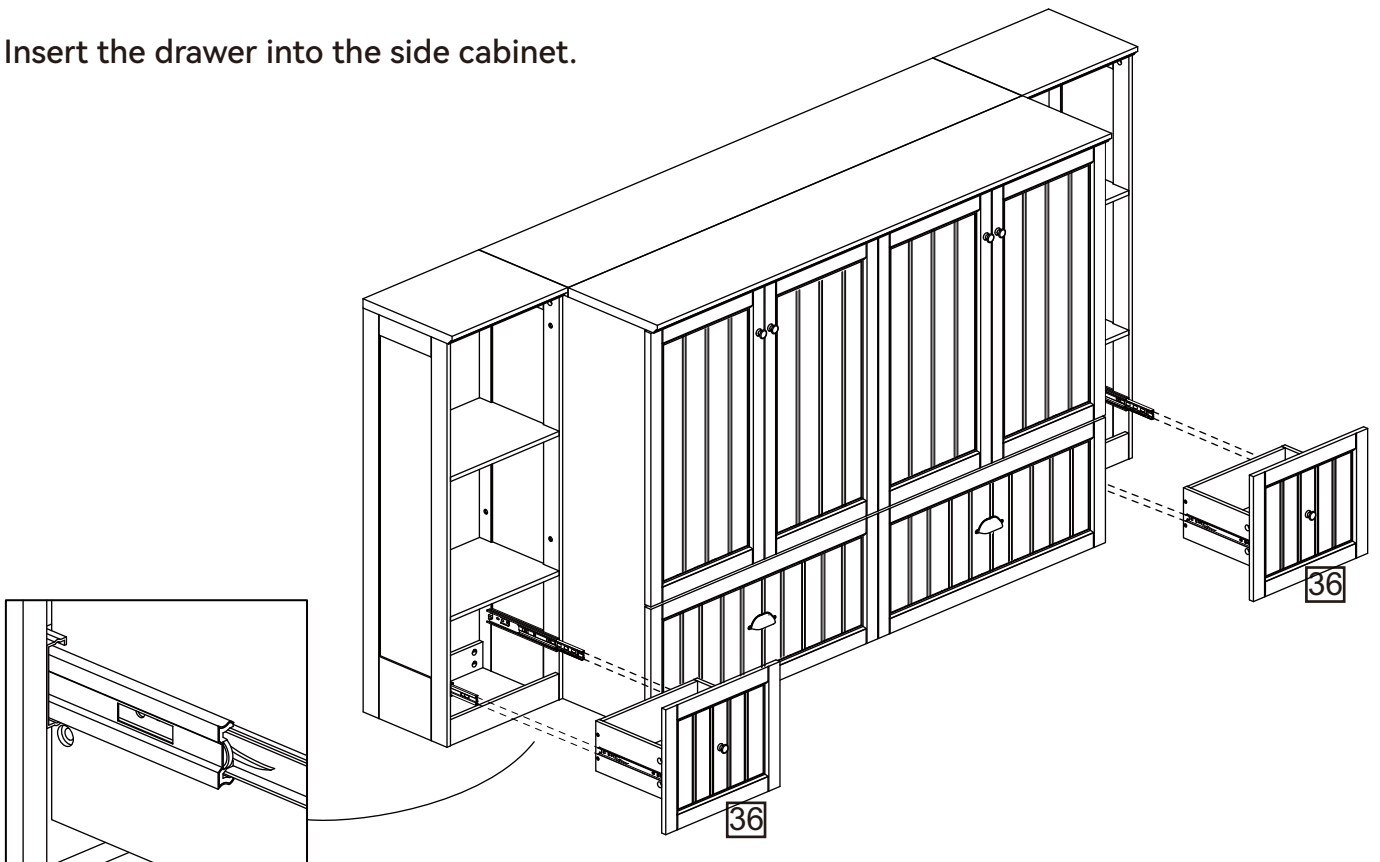
# Assembly Instructions

## Step 56

1. Drawers must be horizontally put into the cabinets.
2. Make sure both sides sliders match well to avoid damage.

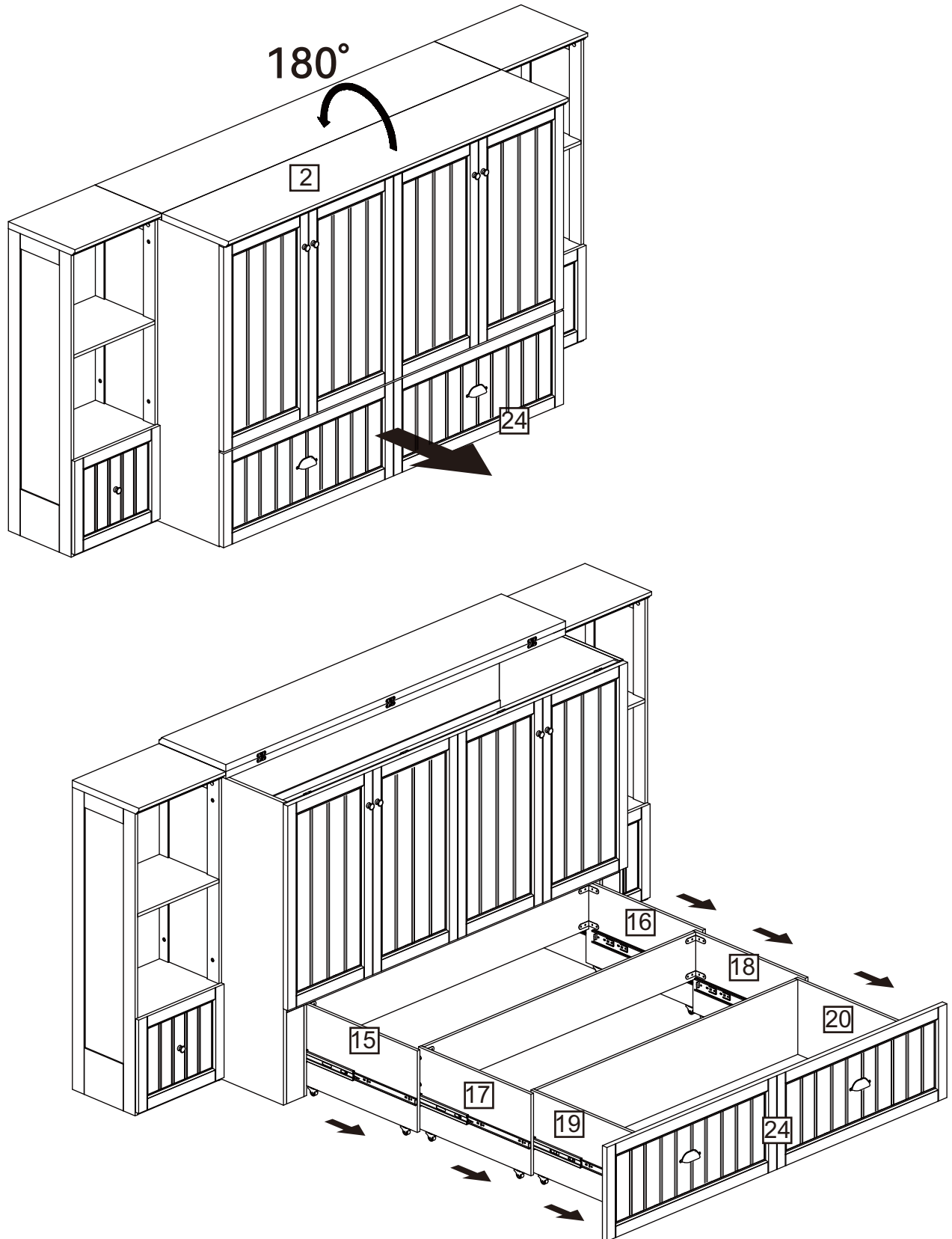


Insert the drawer into the side cabinet.



# Assembly Instructions

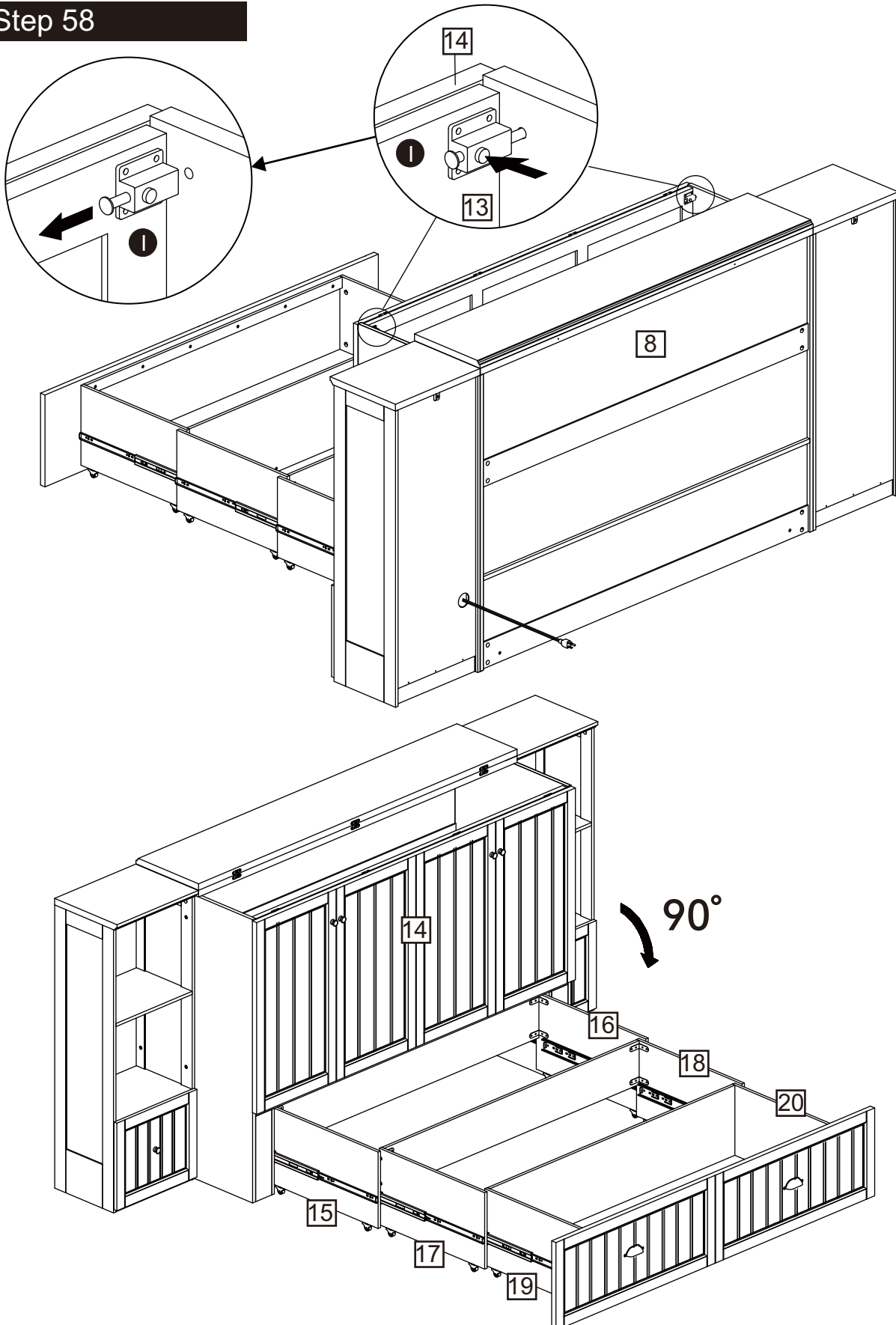
## Step 57



Flip Part (2) upward 180° and pull the drawer fully out.

# Assembly Instructions

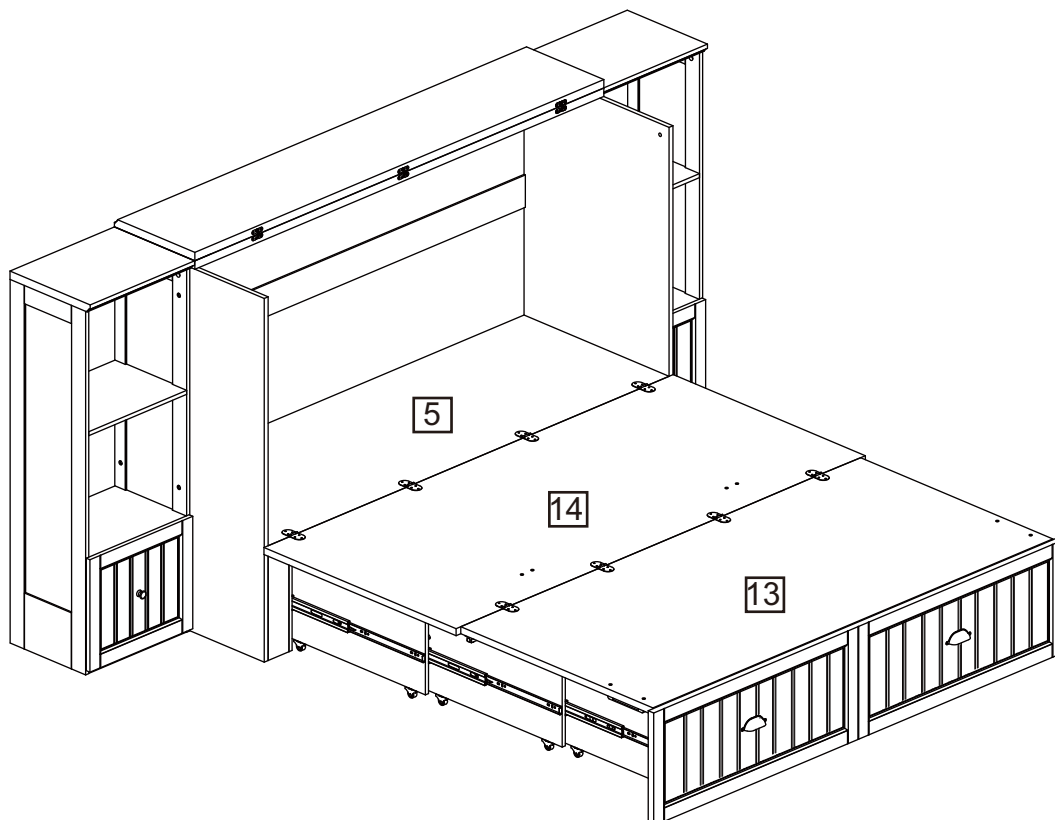
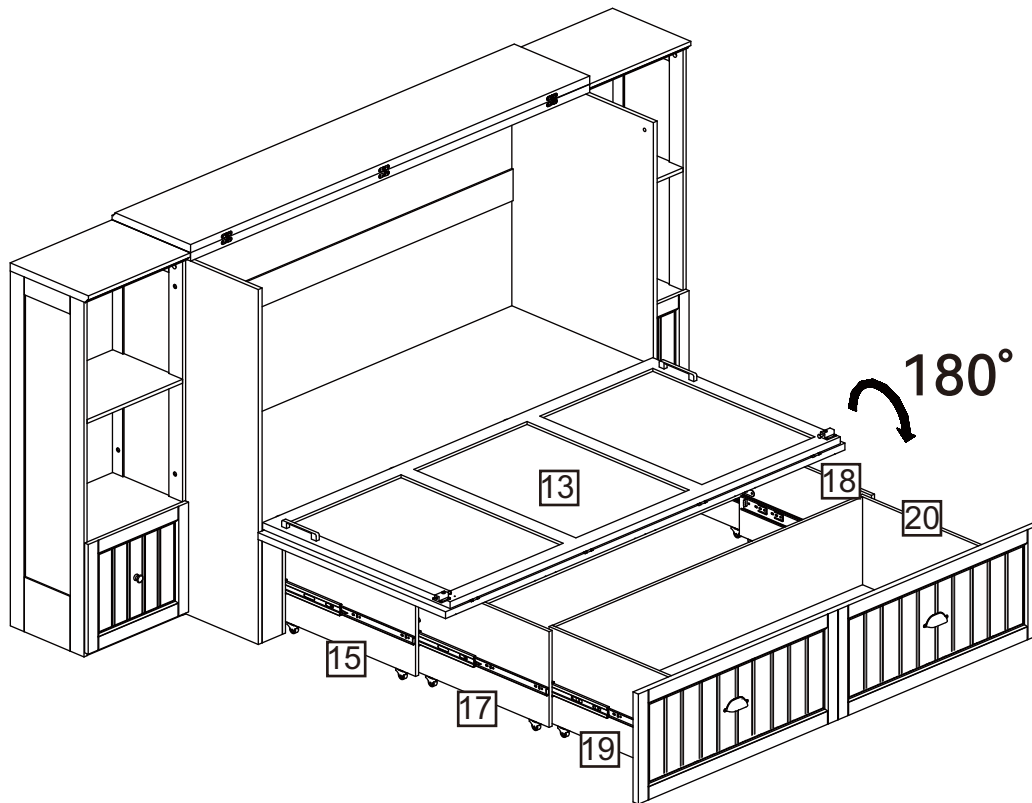
## Step 58



Press the latch switch to release the latch. Flip Parts (13) and (14) downward 90° together.

# Assembly Instructions

## Step 59

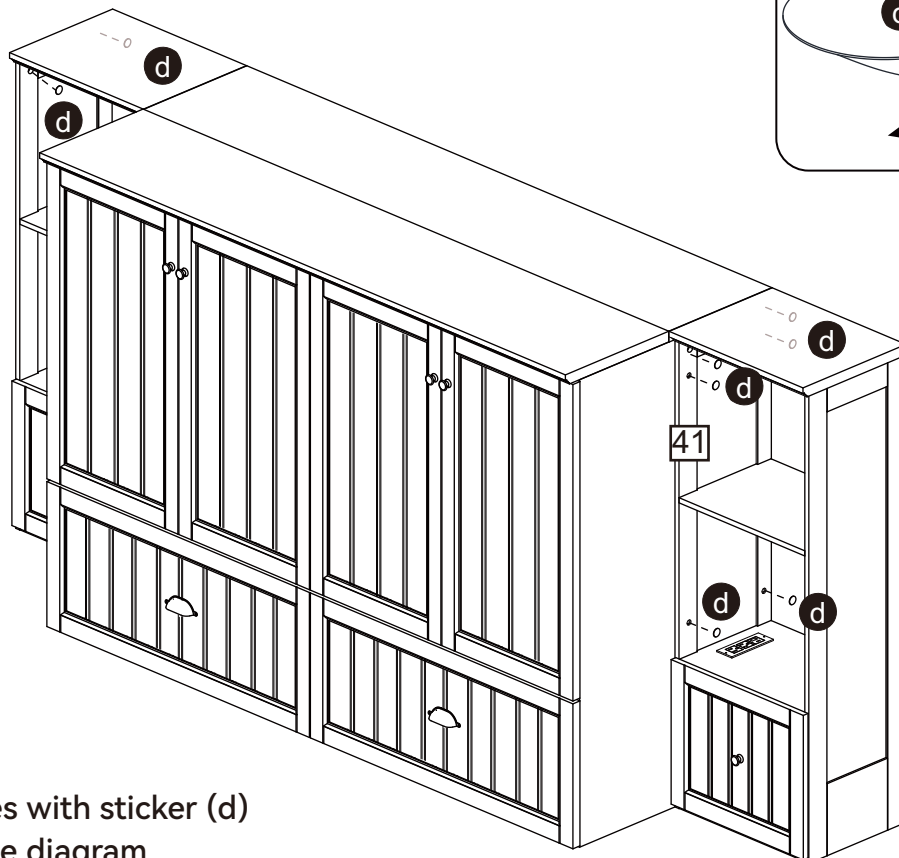
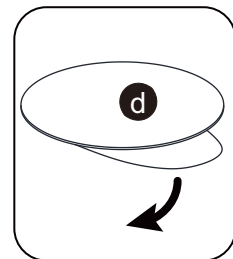
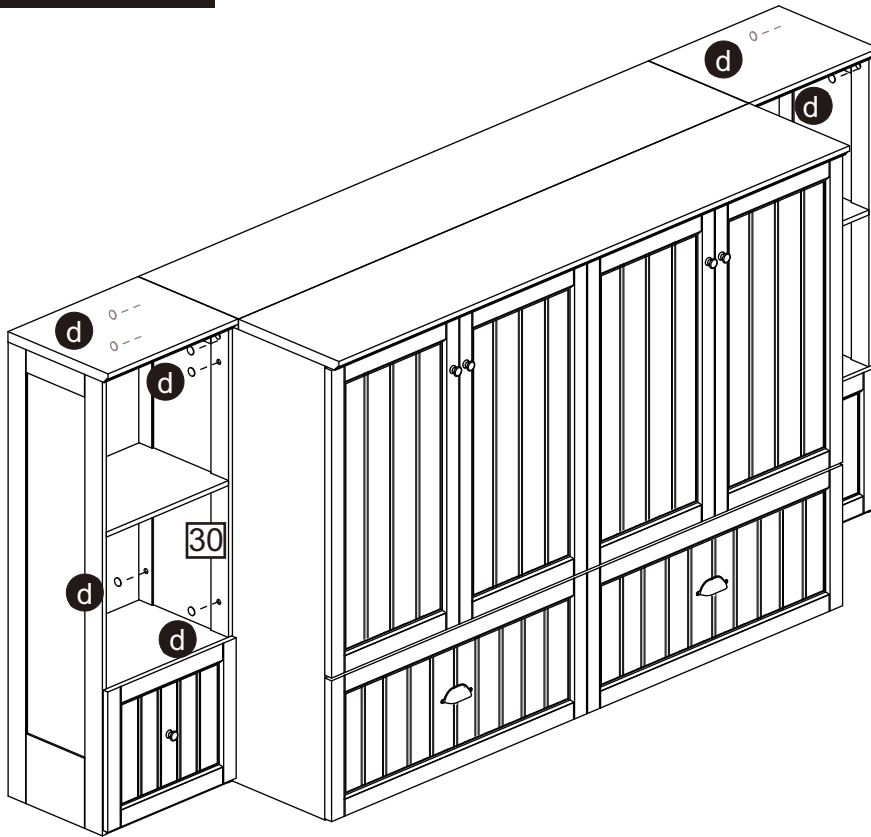


Flip Part (13) forward 180°.

# Assembly Instructions

## Step 60

X x16

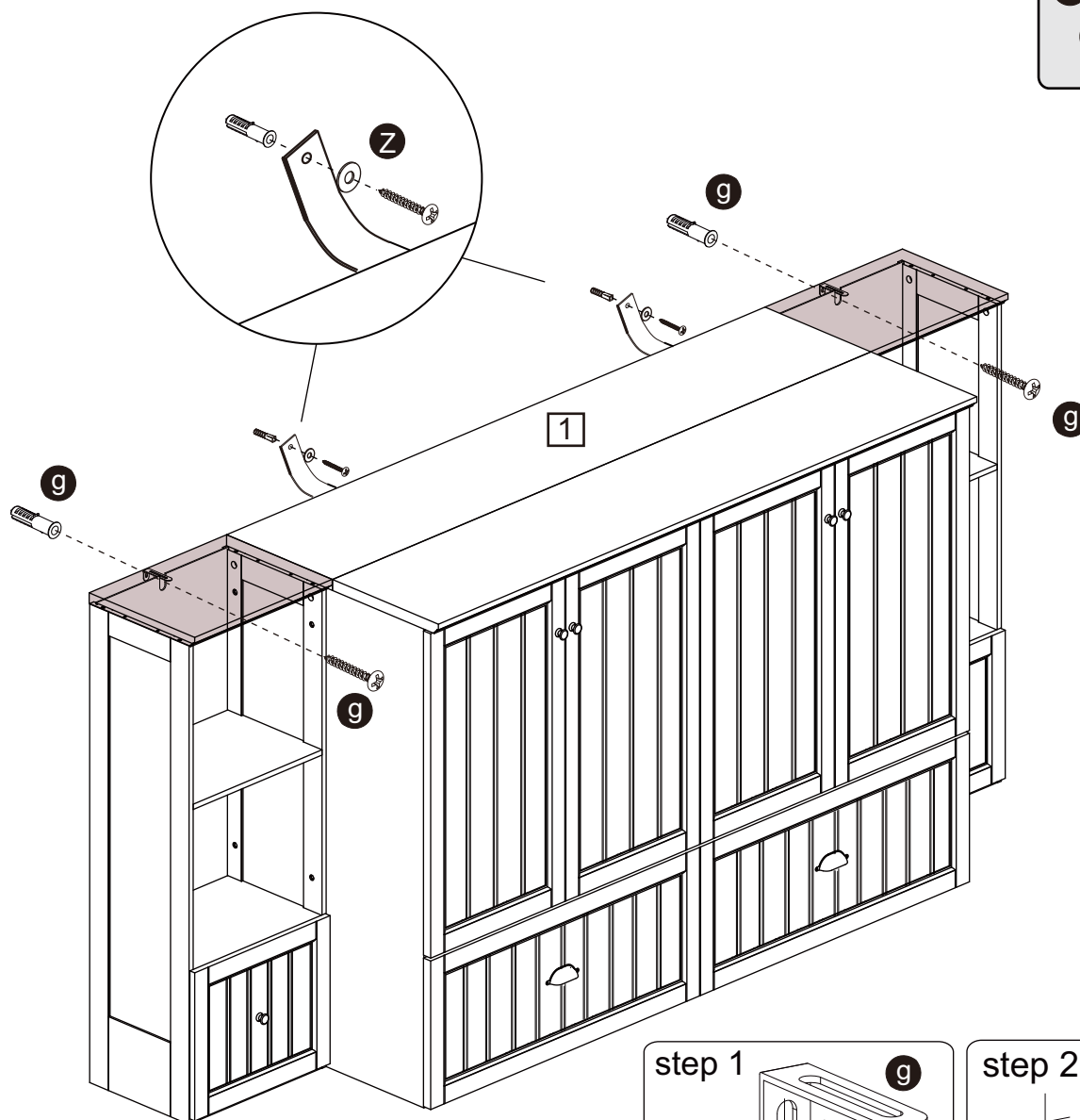
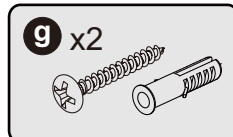
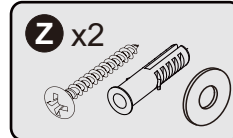


Cover the holes with sticker (d) as shown in the diagram.

# Assembly Instructions

## Step 61

Please read the Guide to Wall Mounting & Fixings on the last page before executing this step.



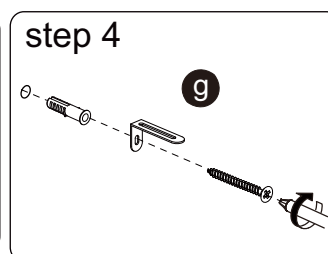
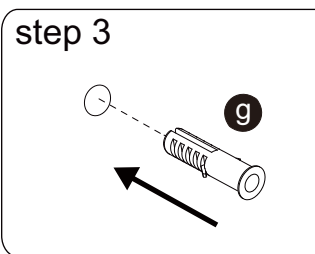
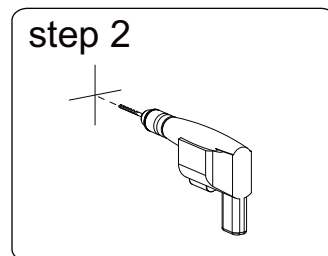
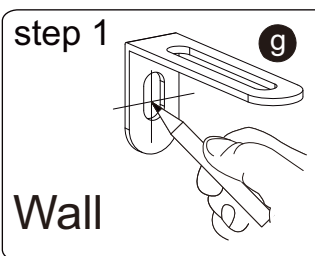
The unit is floor standing, but it is recommended that the unit is secured to the wall.

1. Move the unit into desired position.
2. Mark the wall with a suitable scribe the position of the fixing holes.



Warning:  
Before drilling, check wall for hidden pipes and cables.

3. Drill holes and insert wall plug.
4. Attach strap (Z) to the wall.



# A Guide to Wall Mounting & Fixings

## Important note:

If plastic wall plugs (rawl plugs) are supplied with your product, e.g.:



- these are only suitable for use in masonry walls.

If you are in any doubt about the correct wall plugs for your wall, seek professional advice.


Failure of the product due to using the incorrect fixings is the responsibility of the installer.



**Important:** when drilling into walls always check that there are no hidden wires or pipes etc.

Make sure that the screws and wall plugs being used are suitable for **supporting your unit**. **Consult a qualified tradesperson if you are unsure.**

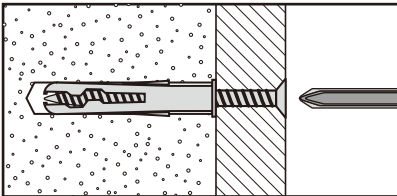
Hints:

- 1: General rule:  always use a larger screw and wall plug if you are not sure.
- 2: Ensure you use the recommended drill bit to match the wall plug and hole size.
- 3: Ensure you drill the hole horizontally; do not force the drill or enlarge the hole.
- 4: Take extra care when drilling high walls, ceilings and ceramic tiles. Ensure wall plugs are inserted beyond the thickness of the ceramic tiles to avoid the tiles splitting or cracking.
- 5: Ensure wall plugs are well fitted and are a tight fit in the drilled hole.

## Types of walls

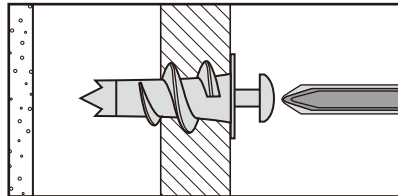
You can use one of the following types of wall plug if your walls are made of brick, breeze block, concrete, stone or wood.

No.1 "General Purpose" wall plug



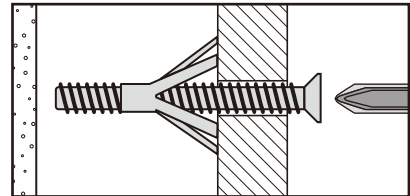
Generally aerated blocks should not be used to support heavy loads, use a specialist fitting in this case. For light loads, general purpose wall plugs can be used.

No.2 "Plasterboard" wall plug



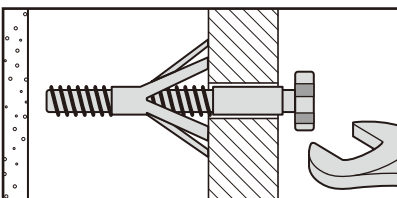
For use when attaching light loads onto plasterboard partitions.

No.3 "Cavity Fixing" wall plug



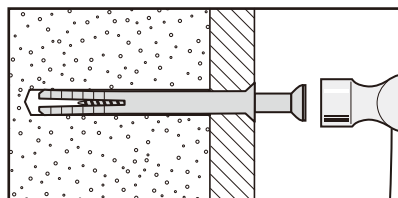
For use with plasterboard partitions or hollow wooden doors.

No.4 "Cavity Fixing - Heavy Duty" wall plug



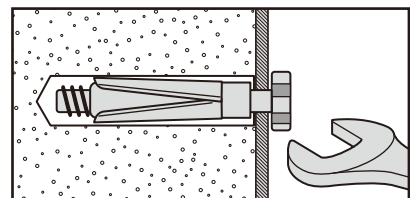
For use when fitting or supporting heavy loads such as shelving, wall cabinets and coat racks.

No.5 "Hammer Fixing" wall plug



For use with walls stuck with plasterboard. The hammer fixing allows it to be fixed to the wall rather than the plasterboard. Always check the fixing is secure to the retaining wall.

No.6 "Shield Anchor" wall plug - heavy loads



For use with heavier loads such as TV and HiFi speakers and satellite dishes etc.



## Care & Maintenance

**Safety:** always check the fitting and location to ensure your safety in and around the home.

**Fitting:** from time to time check the fitting to ensure the wall plugs or screws do not become loose.

# I Murphy Bed

V1.0