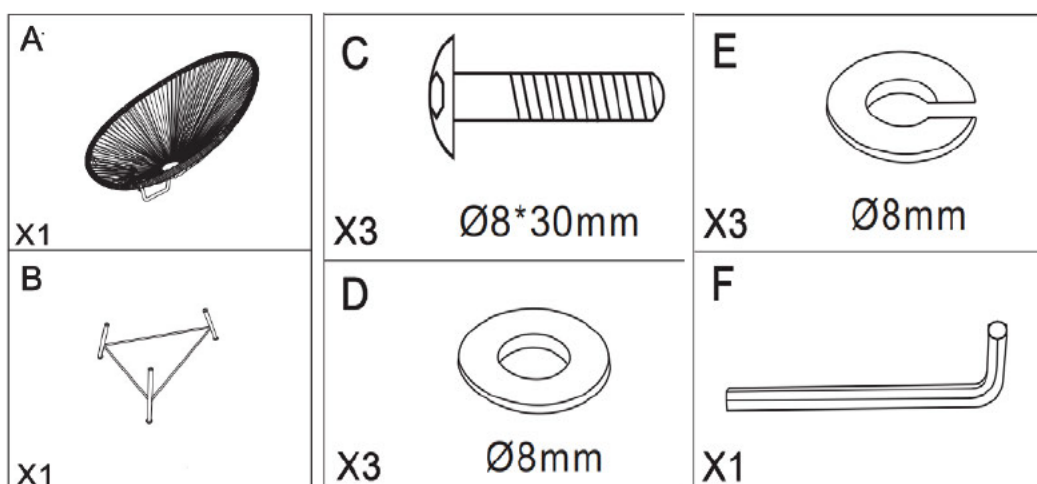


PATIO CHAIRS

PATIO CHAIRS INSTRUCTION

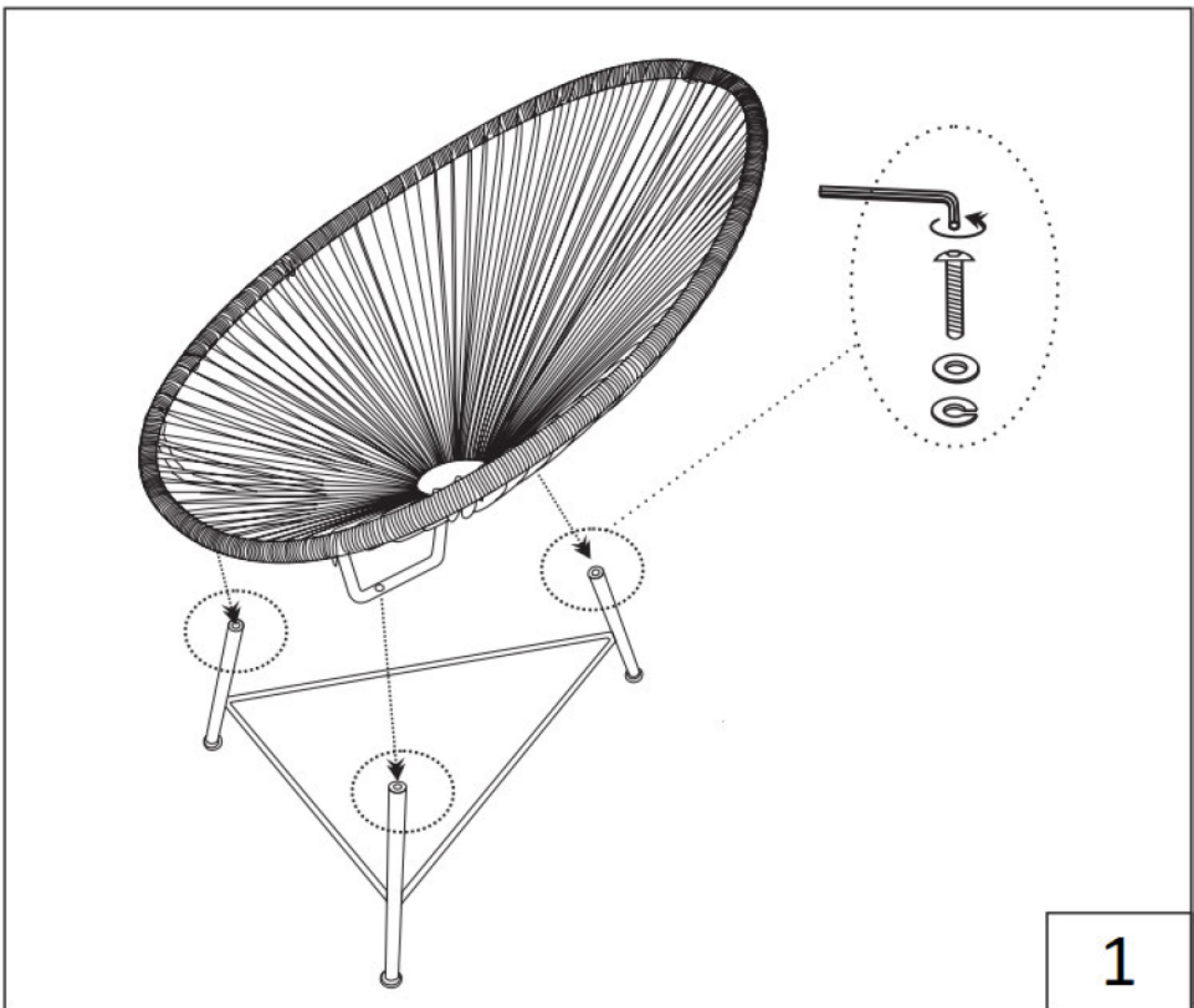


Part	DESCRIPTION	Quantity
PARTS LIST		
<i>PARTS</i>		
A	Chair Seat	1
B	Chair Base	1
<i>HARDWARE</i>		
C	Bolts M8*30mm	3
D	Washers 1	3
E	Washers 2	3
F	Allen Key	1



PLEASE READ AND FOLLOW ALL SAFETY TIPS

1. Locate Chair Seat(A) to the Chair Base(B) by the pre-drilled threads. Fasten Bolts(C) with Washers 1(D) and Washers 2(E) by using Allen Key(F). Totally 3 bolts should be fastened (Photo 1).



Till now you have finished the whole assembly and enjoy your chair!!