

INSTRUCTION MANUAL ENCLOSED

ATTENTION

**IF YOU HAVE ANY PROBLEMS OR QUESTIONS, EMAIL OR CALL
CUSTOMER SERVICE BEFORE YOU RETURN THIS PRODUCT TO THE
STORE WHERE IT WAS PURCHASED.**

For Customer Service:

USA: Email: support@orderhelp.com /Call: 1-877-897-1222

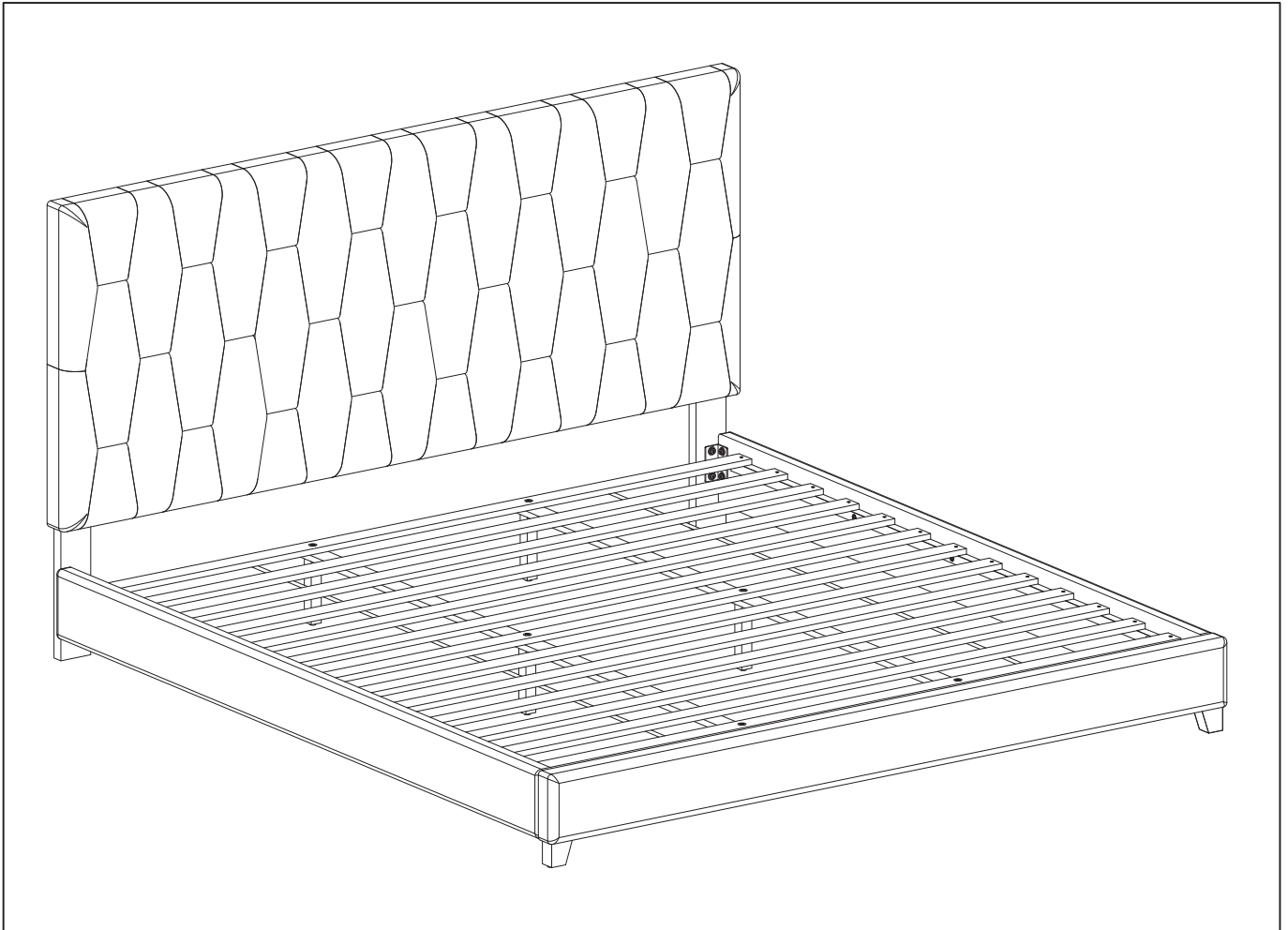
CANADA: Email: support@sirio.ca /Call: 1-866-666-0421

INSTRUCTION MANUAL ENCLOSED

KING BED

UBI001-BKCM-K/UBI001-BKWH-K/UBI001-BKDG-K

KING BED ASSEMBLY INSTRUCTION



For Customer Service:

Email: support@orderhelp.com

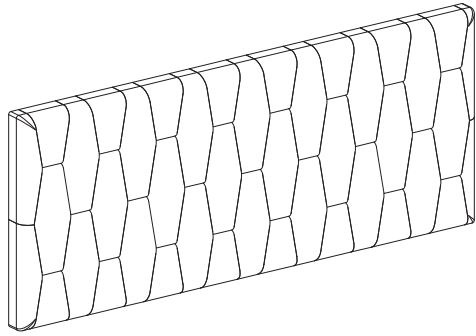
support@sirio.ca

Call: 1-877-897-1222 / 1-866-666-0421

PARTS LIST

Part	Description	Quantity
<i>PARTS</i>		
A	Headboard	1
B	Headboard Leg	2
C	Rail	2
D	Footboard	1
E	Wood Slat	1
F	Support Bar	2
G	Leg	2
H	Support Leg	6
I	Corner Bracket	4
<i>HARDWARE</i>		
J	Bolt(M6x50mm)	6
K	Flat Washer(M6xØ19mm)	6
L	Spring Washer(M6)	6
M	Bolt(M8x25mm)	16
N	Bolt(M8x50mm)	4
O	Flat Washer(M8xØ22mm)	20
P	Spring Washer(M8)	22
Q	Bolt(M8x70mm)	2
R	Flat Washer(M8xØ19mm)	2
S	Wood Screw(Ø4x30mm)	26
T	Allen Key	1

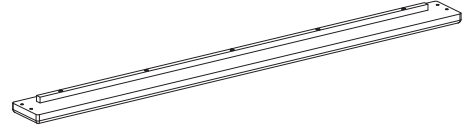
PARTS:



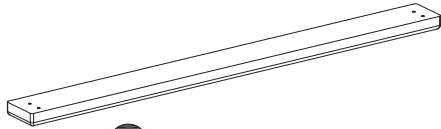
A x 1



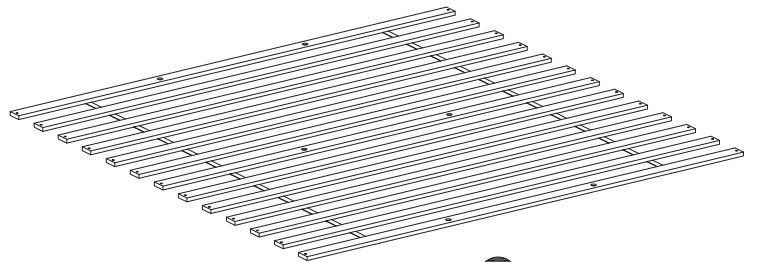
B x 2



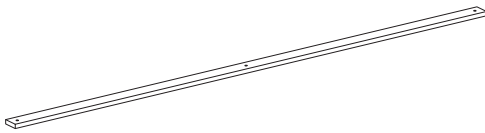
C x 2



D x 1



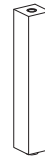
E x 1



F x 2



G x 2



H x 6



I x 4

HARDWARE:



M6x50mm
J x 6



M6xØ19mm
K x 6



M6
L x 6



M8x25mm
M x 16



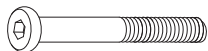
M8x50mm
N x 4



M8xØ22mm
O x 20



M8
P x 22



M8x70mm
Q x 2



M8xØ19mm
R x 2



Ø4x30mm
S x 26



4mm
T x 1

PLEASE READ AND FOLLOW ALL SAFETY TIPS

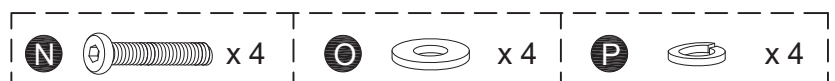
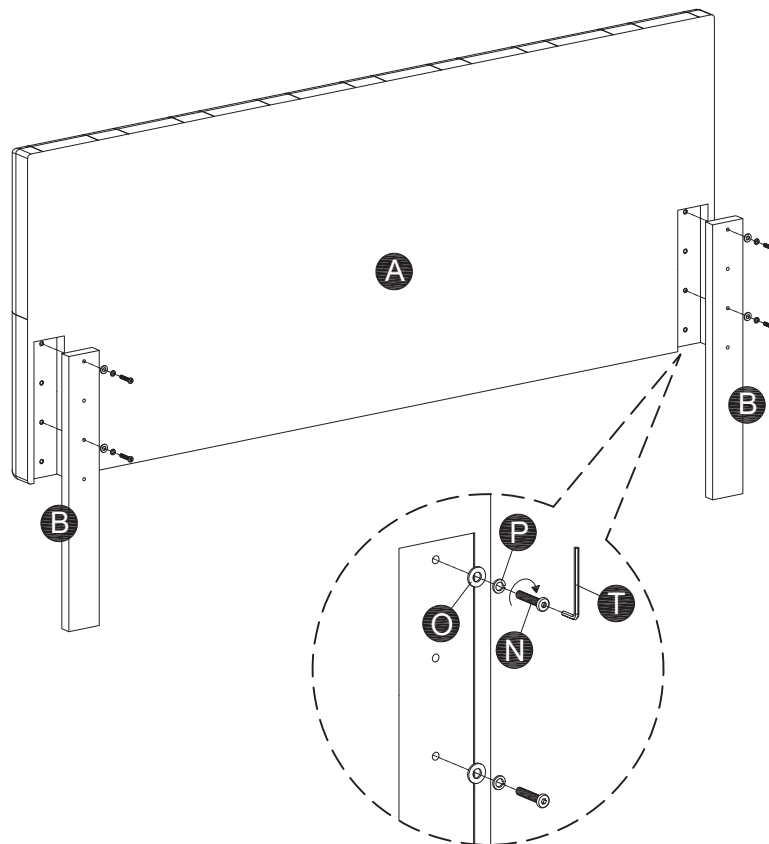
GETTING STARTED

1. Before assembly, CAREFULLY use scissors or utility knife to cut and unwrap all parts. Make sure you do not discard the hardware.
2. Make sure that you have all the parts listed. If you are missing any parts, please email Customer Service: USA: support@orderhelp.com or call 1-877-897-1222. Canada: support@sirio.ca or call 1-866-666-0421. Please identify the parts you need and model number. Make sure to include your name and address.

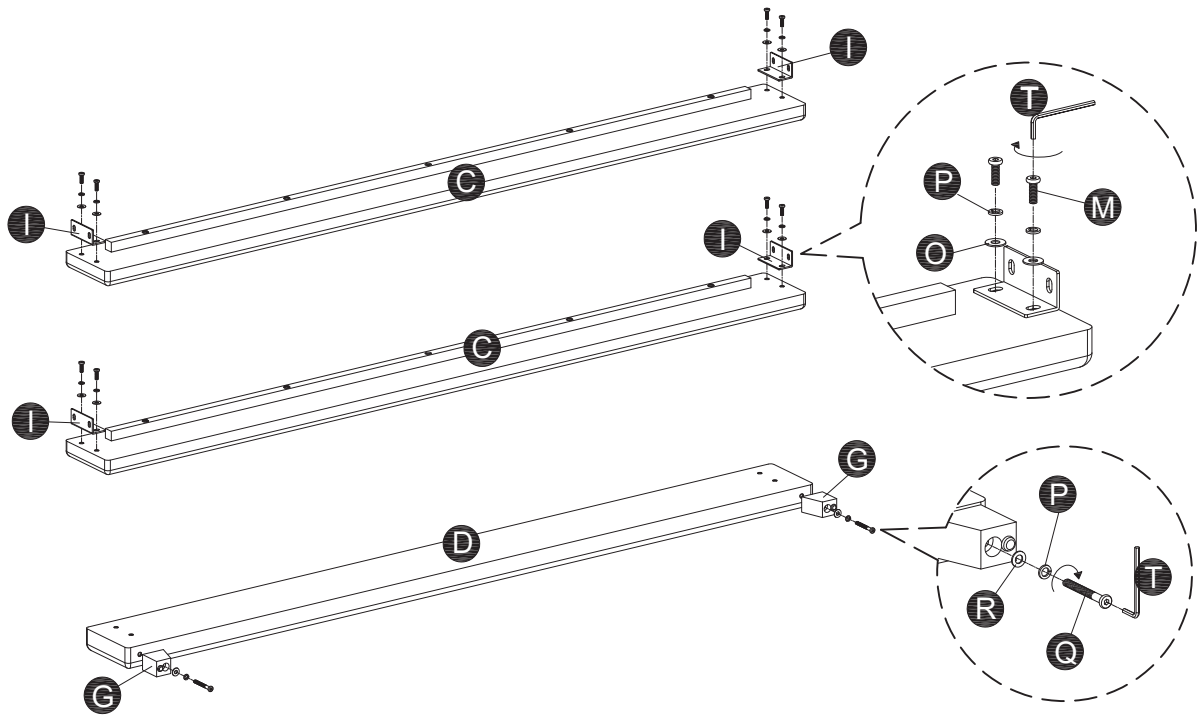
Warm Tips:

1. The plastic covers on some metal parts are just for product protection, Please remove it before assembly.
2. Please follow the sequence of AI during assembly.
3. Do not tighten the screws until all of them are in right positions.

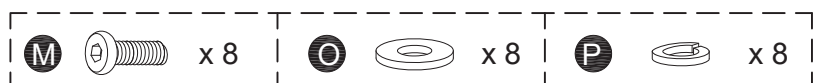
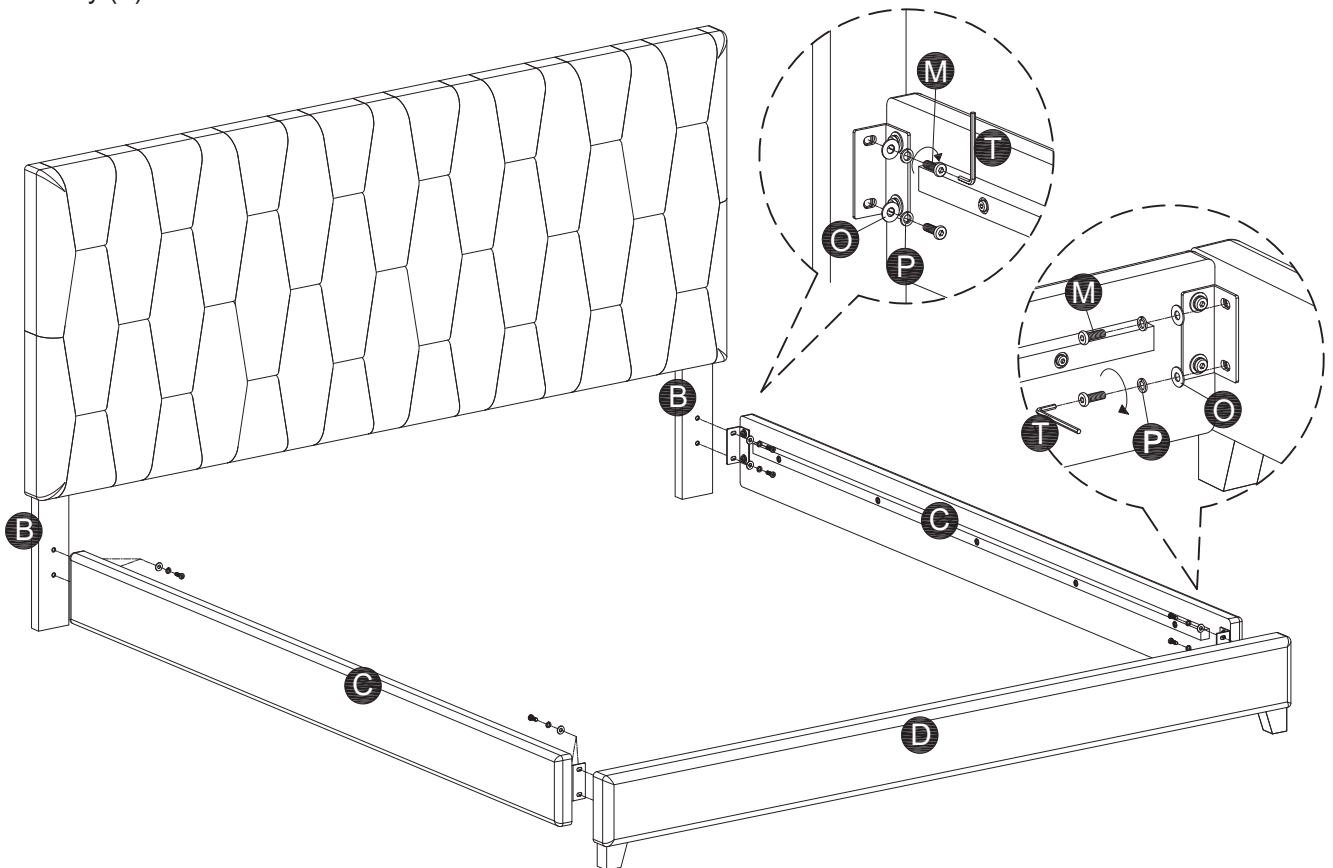
1. Attach Headboard Leg (B) to Headboard (A) use Allen Bolt (N) ,Spring Washer (P) and Flat Washer (O) by Allen Key (T).



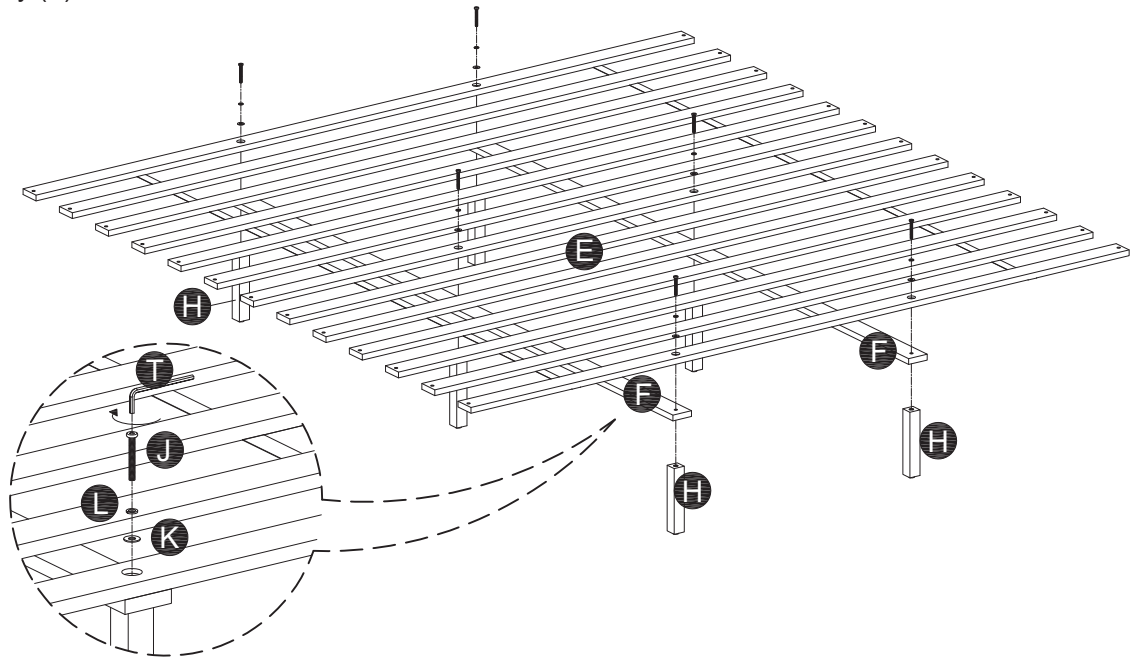
2. Attach Corner Bracket (I) to Rail (C) use Allen Bolt (M), Spring Washer (P) and Flat Washer (O) by Allen Key (T). Attach Leg (G) to Footboard (D) use Allen Bolt (Q), Spring Washer (P) and Flat Washer (R) by Allen Key (T).



3. Attach Rail (C) to Headboard Leg (B) & Footboard (D) use Allen Bolt (M), Spring Washer (P) and Flat Washer (O) by Allen Key (T).



4. Attach Support Leg (H) to Wood Slat (E) & Support Bar (F) use Allen Bolt (J), Spring Washer (L) and Flat Washer (K) by Allen Key (T).



5. Attach Wood Slat (E) to Rail (C) use Wood Screw (S) .

