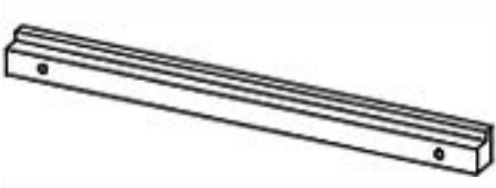






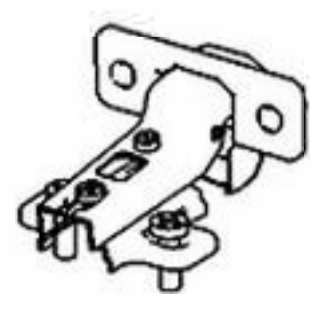


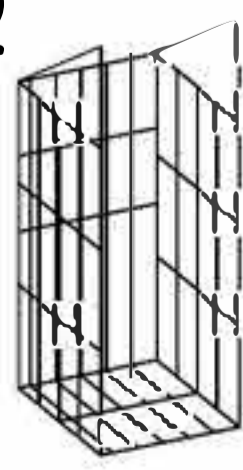


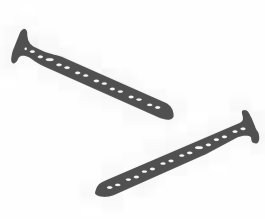


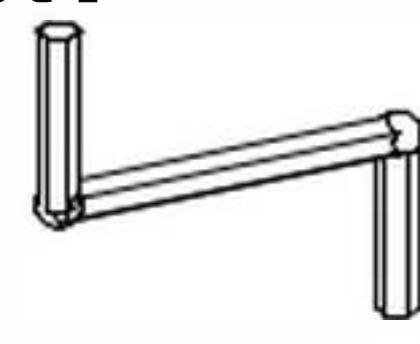



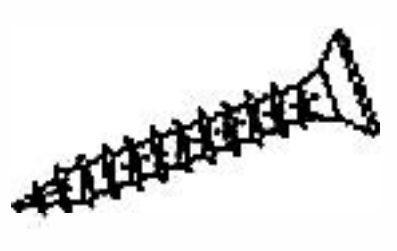
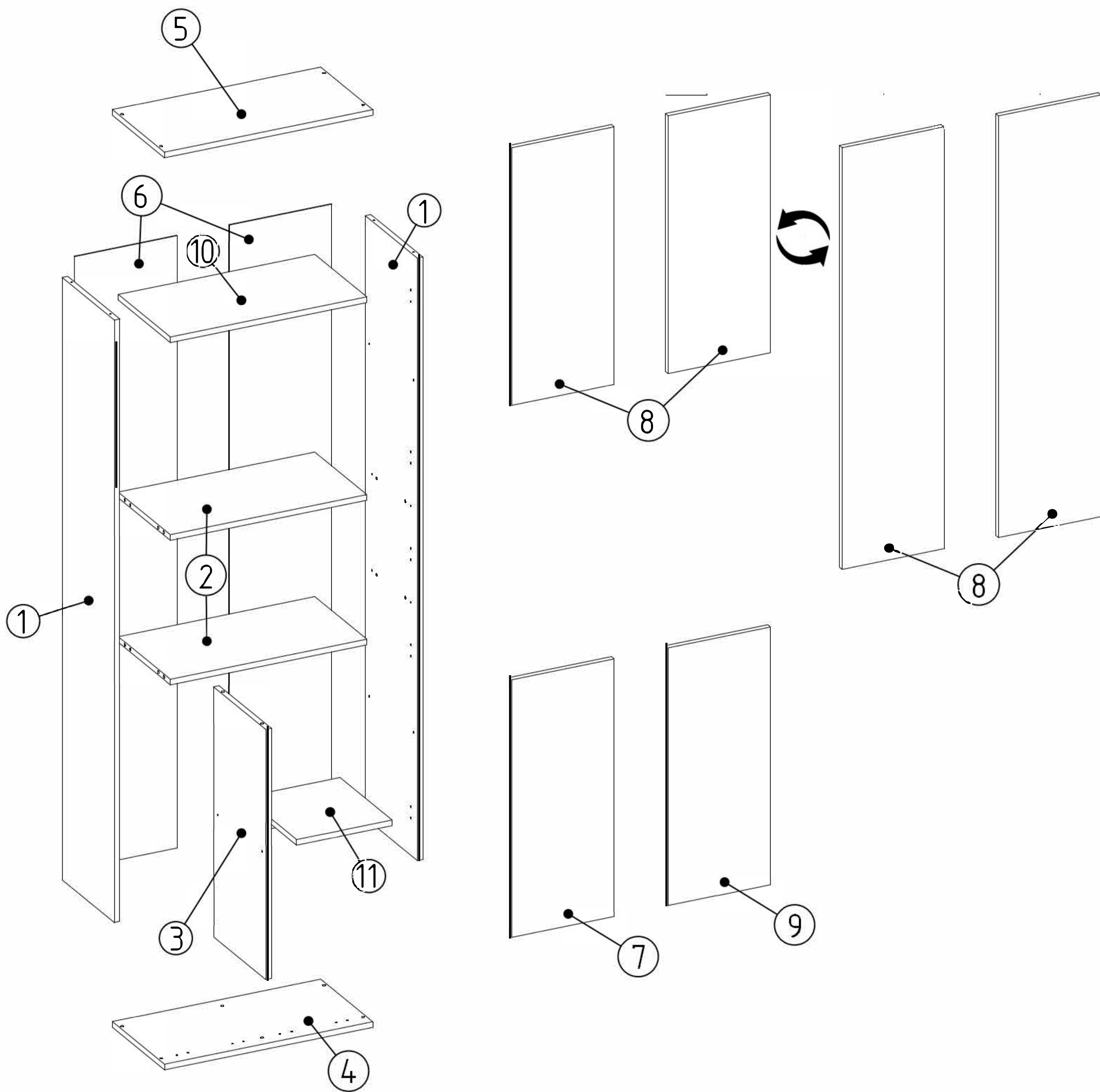


<b>U3</b>  x 4	<b>S16</b>  6x13 x 2	<b>K3</b>  x 4	<b>K4</b>  x 4	<b>L9</b>  x 1
--	---	---	---	---

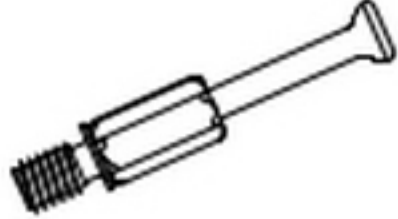

<b>N2</b>  20,3 x 8	<b>M3</b>  x 8	<b>R0</b>  x 8	<b>S1</b>  3,5x16 x 18	<b>E1</b>  8x30 x 12	<b>K2</b>  x 1	<b>S5</b>  2,5x20 x 5	<b>D2</b>  x 8
---	---	---	---	---	---	--	---

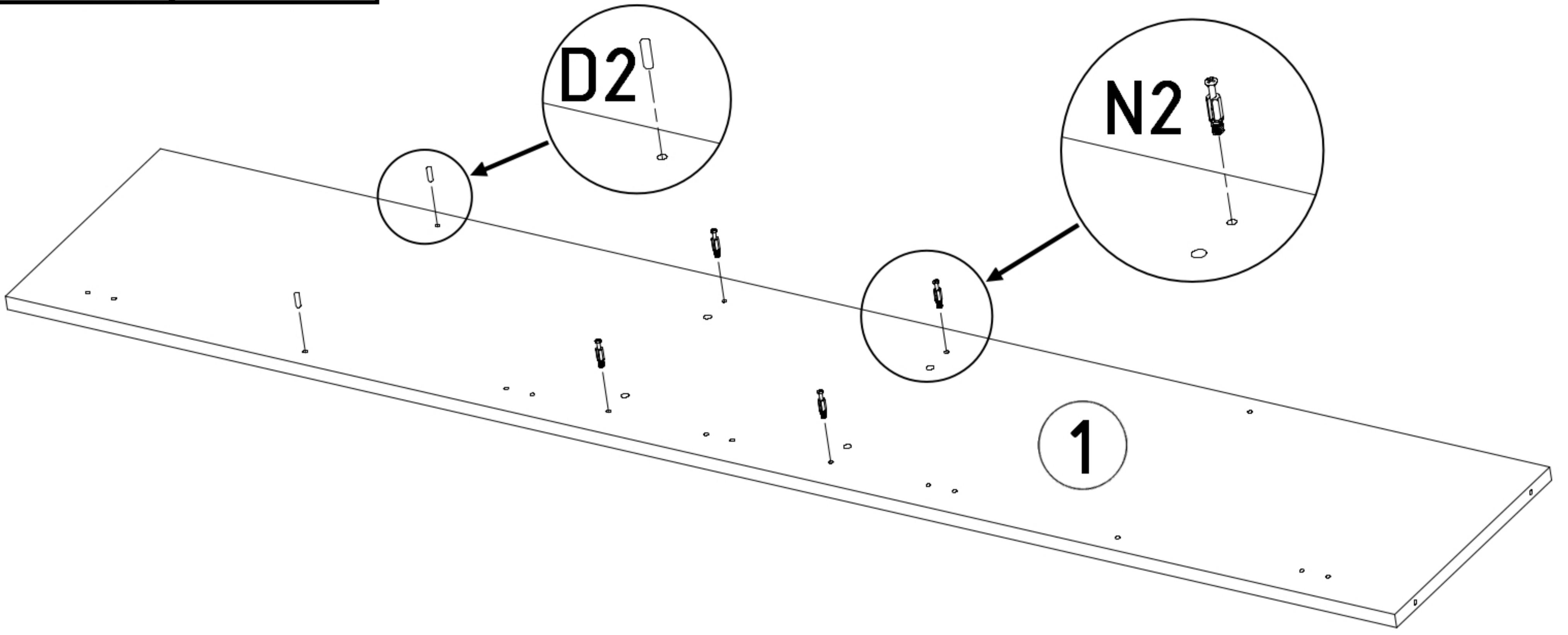
<b>Z2</b>  x 80	<b>F2</b>  x 8	<b>Z4</b>  x 5	<b>K1</b>  x 1	<b>F1</b>  x 4	<b>V3</b>  x 1	<b>T1</b>  x 4	<b>S4</b>  4x27 x 8
---	---	---	--	---	---	---	--





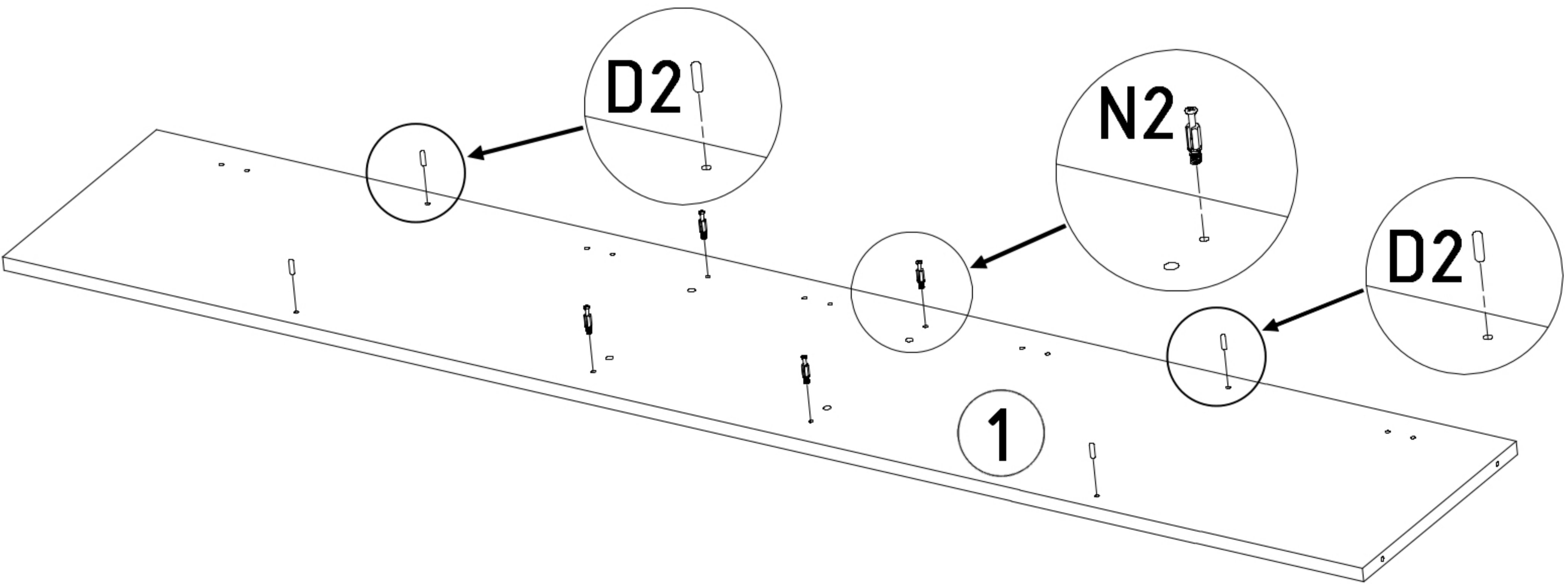
<b>1</b>	x 2
<b>2</b>	x 2
<b>3</b>	x 1
<b>4</b>	x 1
<b>5</b>	x 1



<b>6</b>	x 2
<b>7</b>	x 2
<b>8</b>	x 2
<b>9</b>	x 1
<b>10</b>	x 1
<b>11</b>	x 1

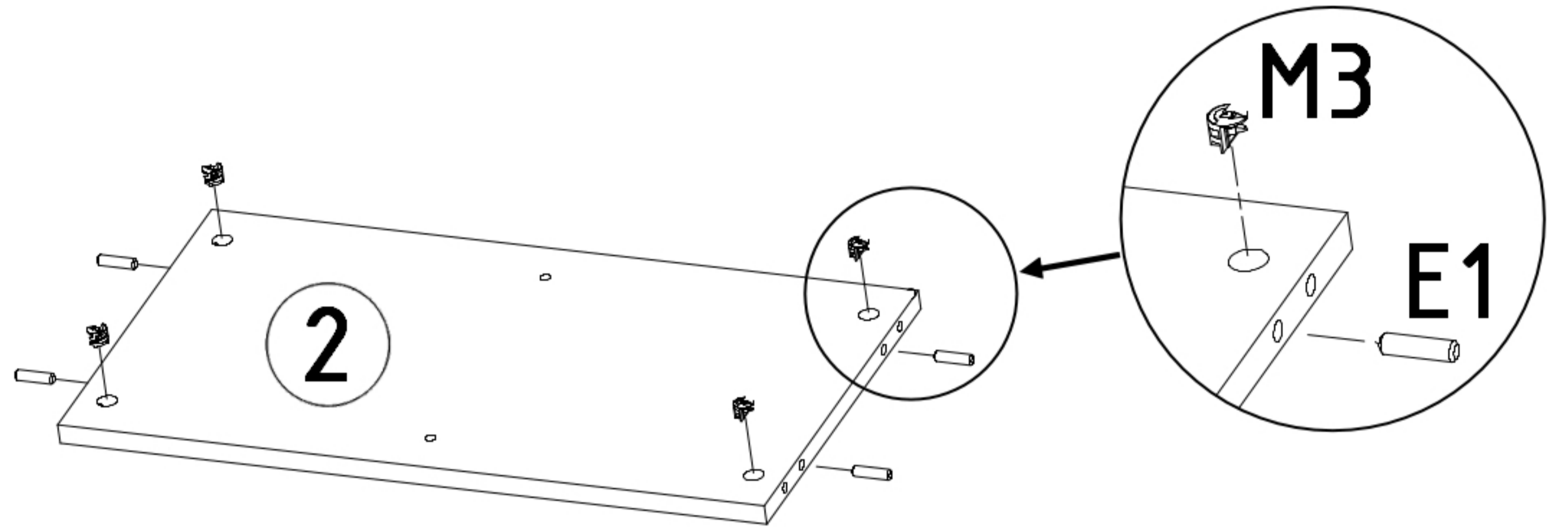
<b>N2</b>  20,3 x 4	<b>D2</b>  x 2
---	---



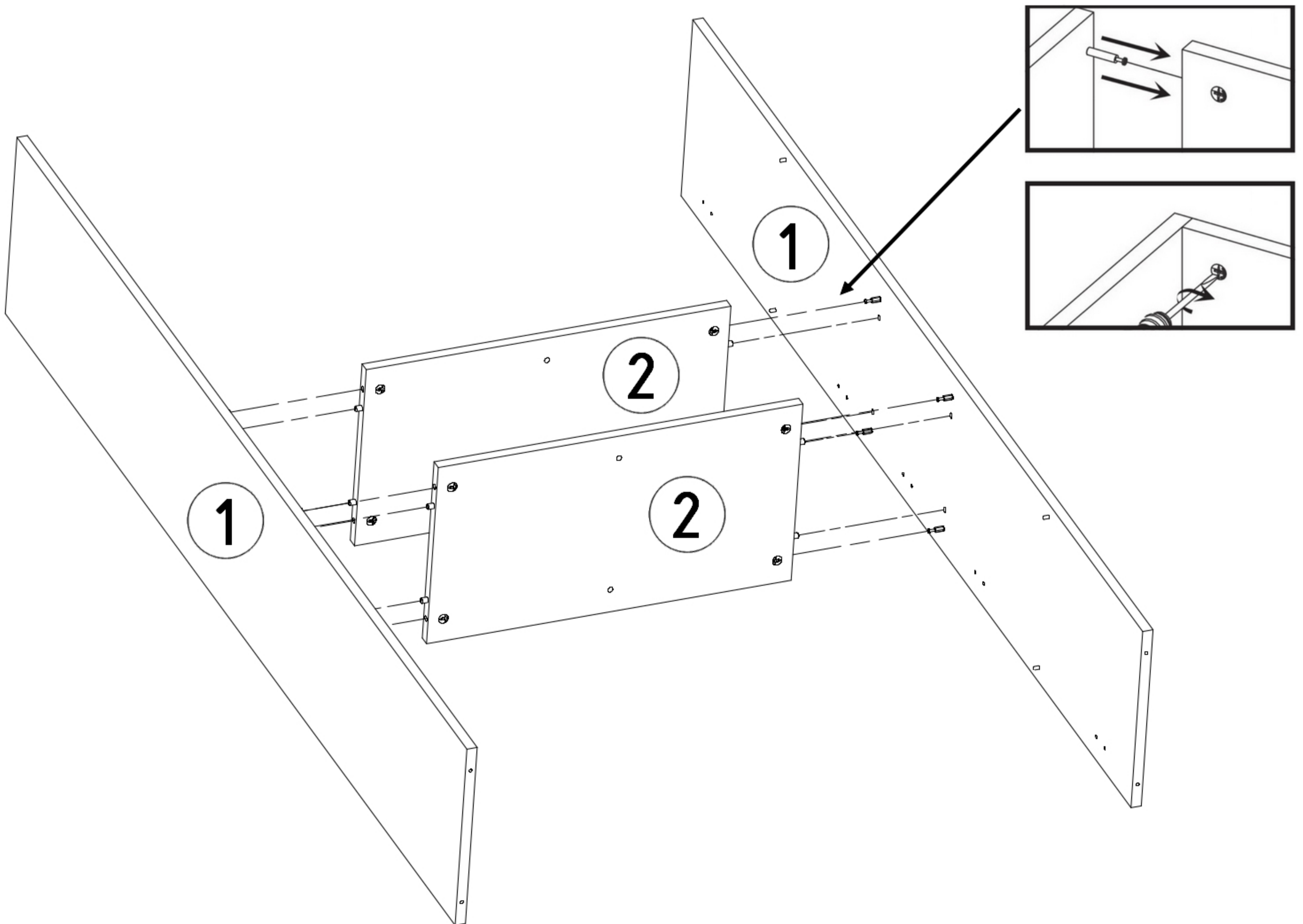
<b>N2</b>  20,3 x 4	<b>D2</b>  x 4
---	---





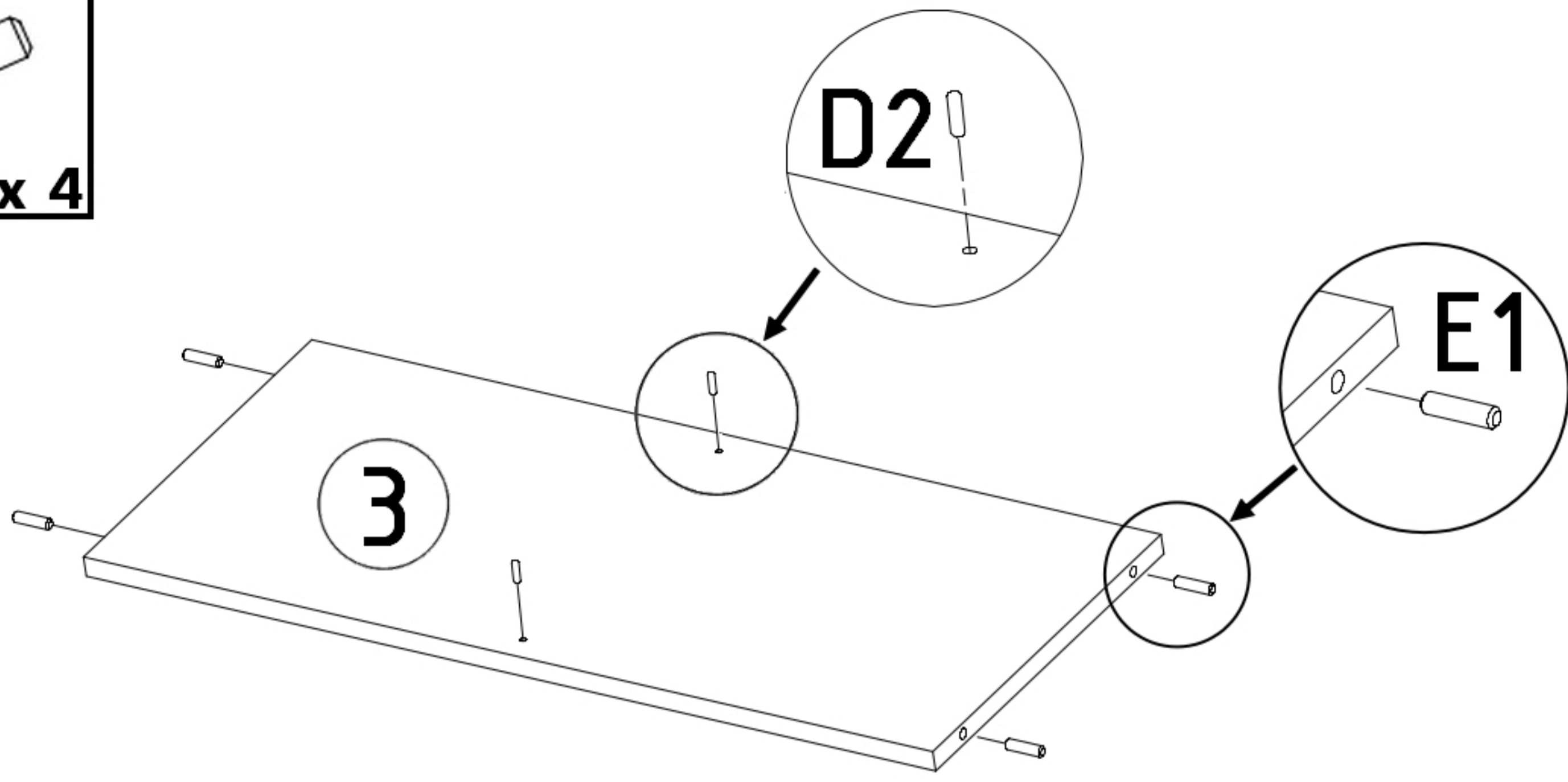
<b>M3</b>  <b>x 8</b>	<b>E1</b>  <b>8x30</b> <b>x 8</b>
--	--

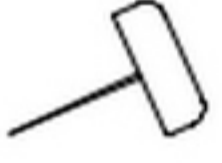


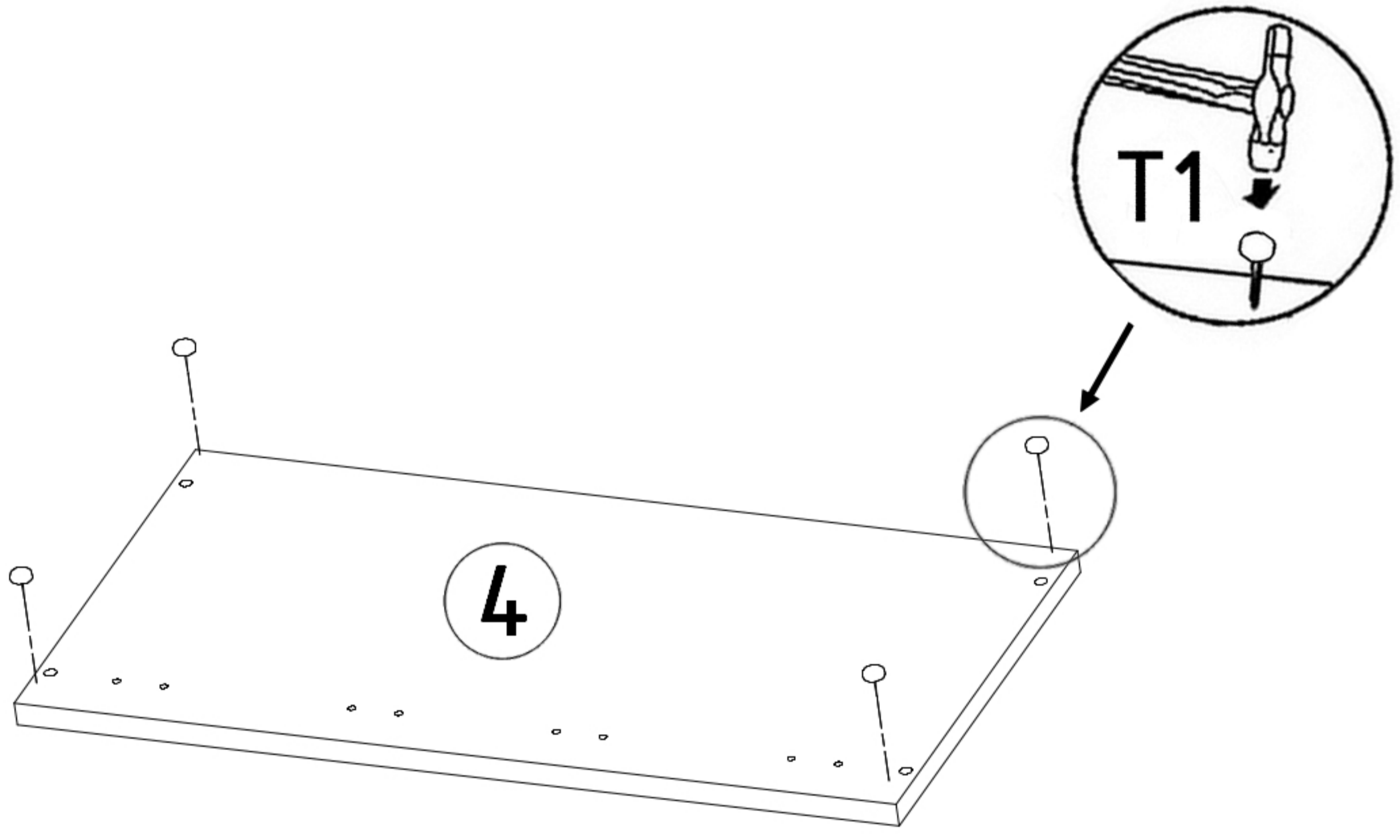
x 2

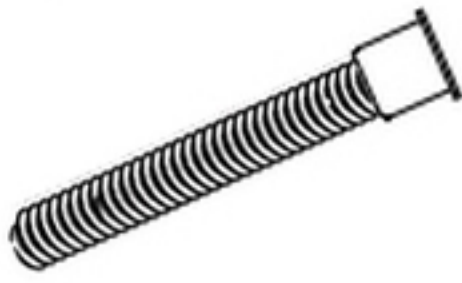


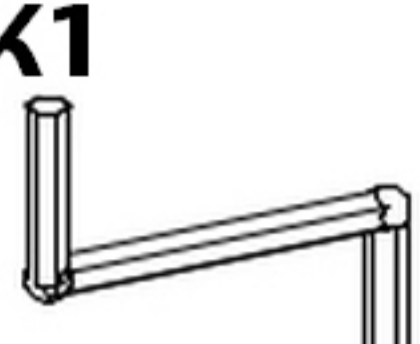
<b>D2</b>  <b>x 2</b>	<b>E1</b>  <b>8x30</b> <b>x 4</b>
--	---




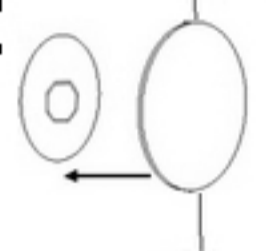
<b>T1</b>  <b>x 4</b>
--



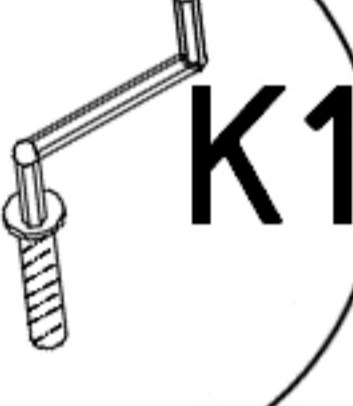
**F2**  
  
**x 8**


**K1**  
  
**x 1**

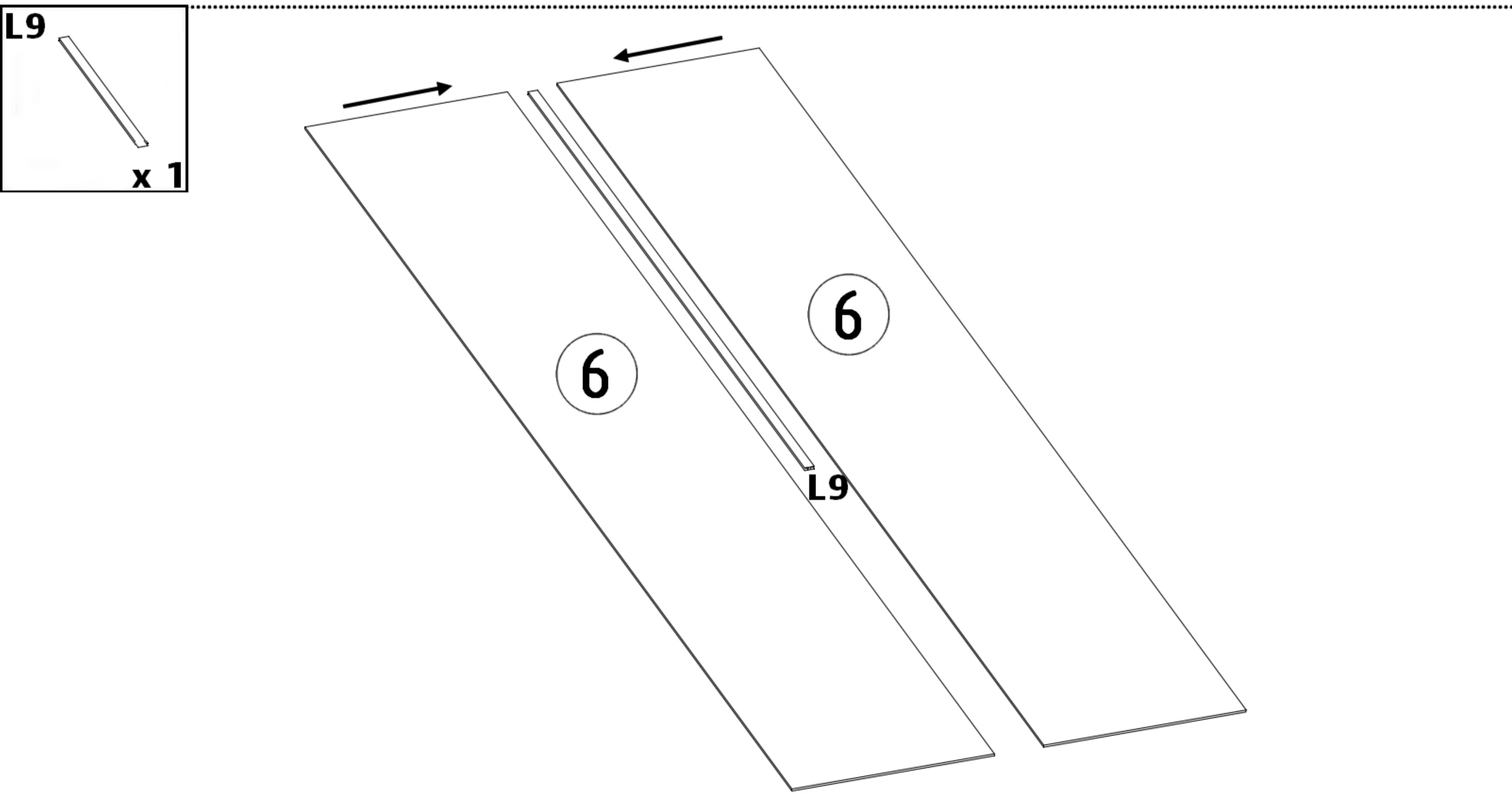
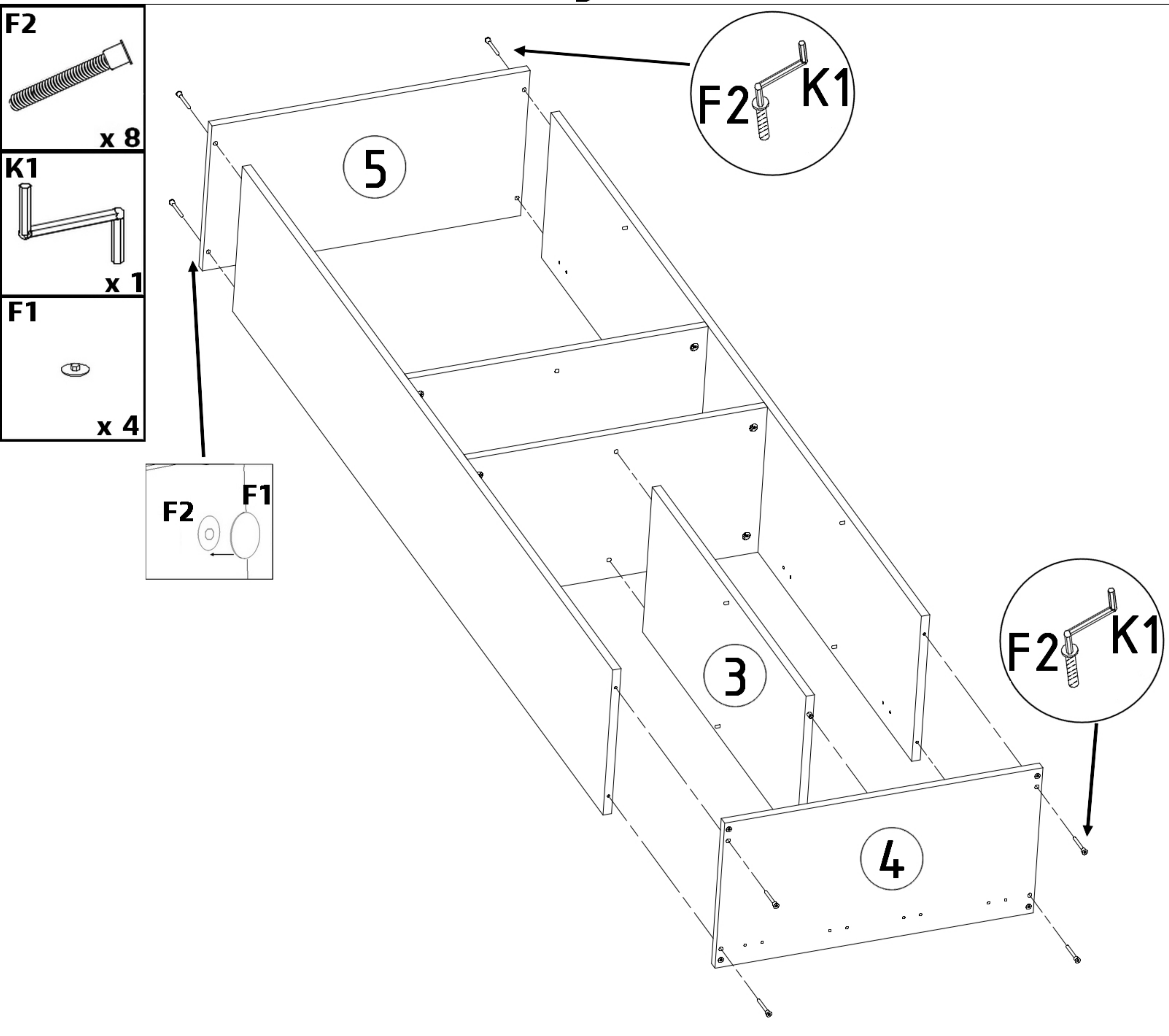
**F1**  
  
**x 4**

**F2** **F1**  



**F2** **K1**  

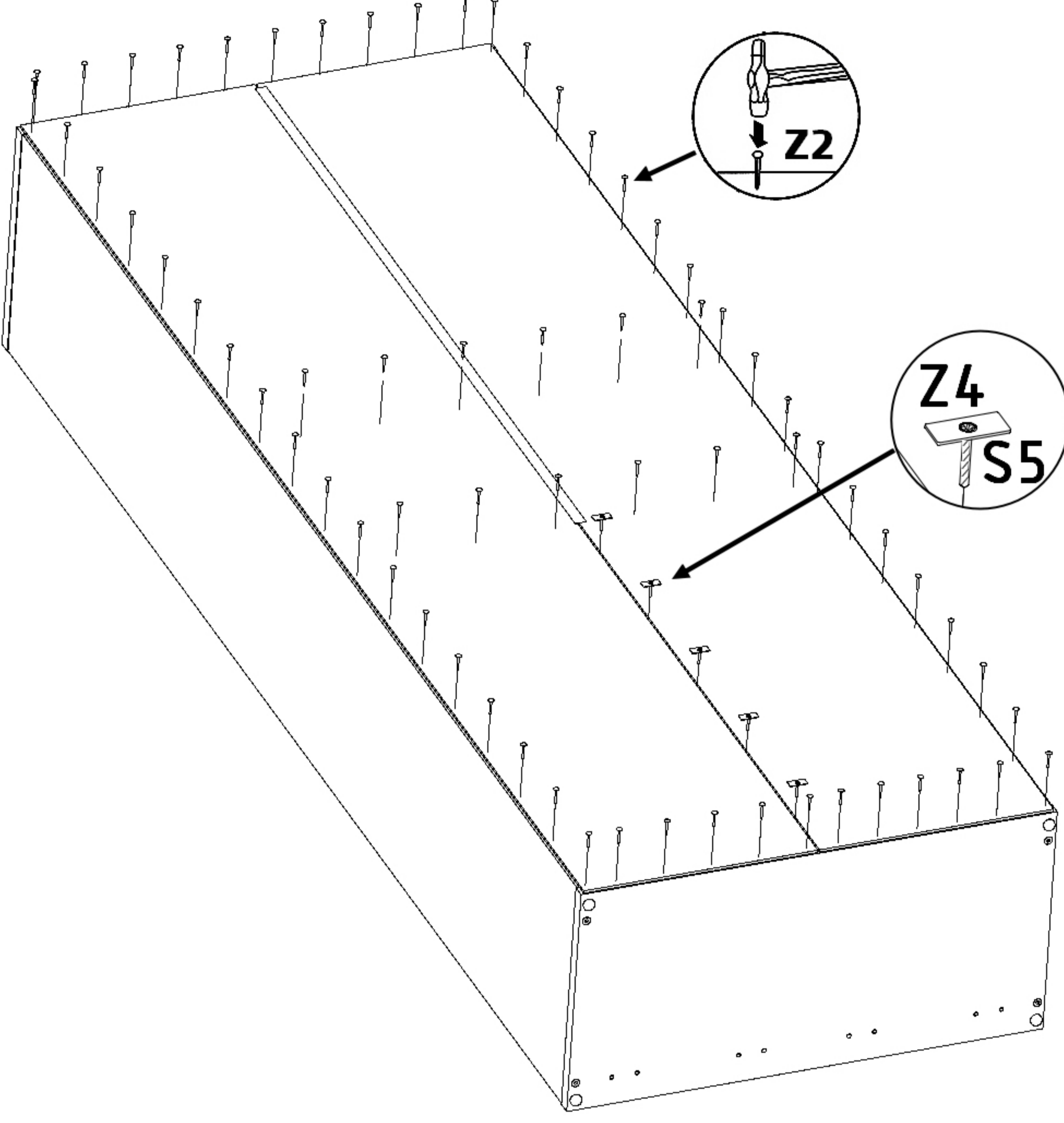

**F2** **K1**  


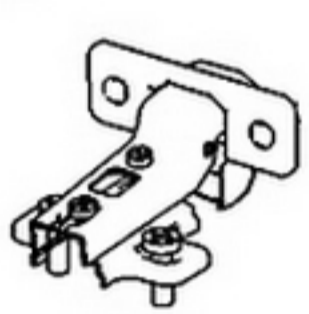




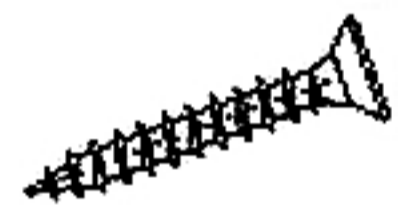

**L9**  
  
**x 1**

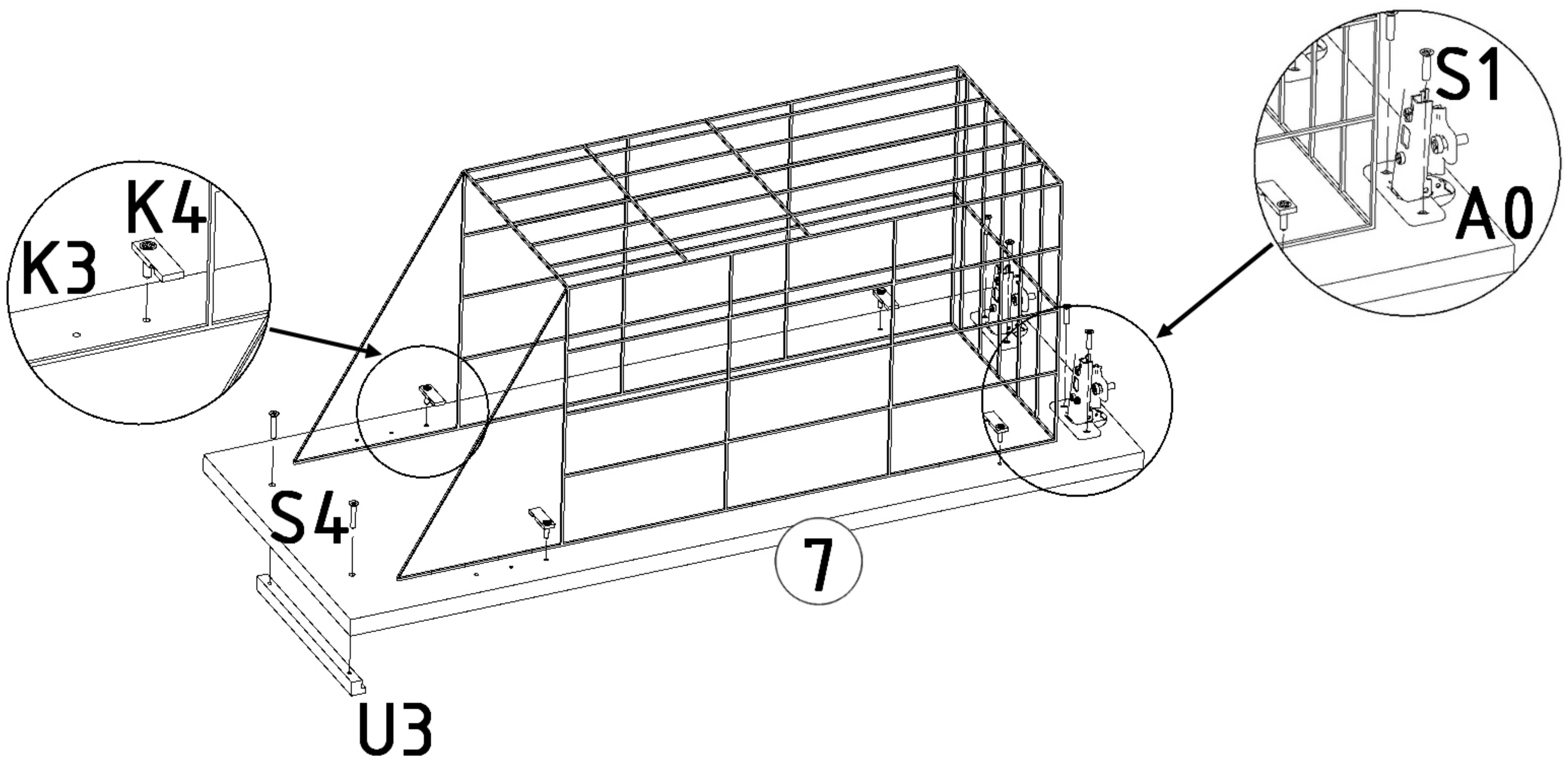


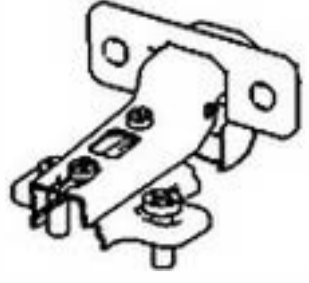

6

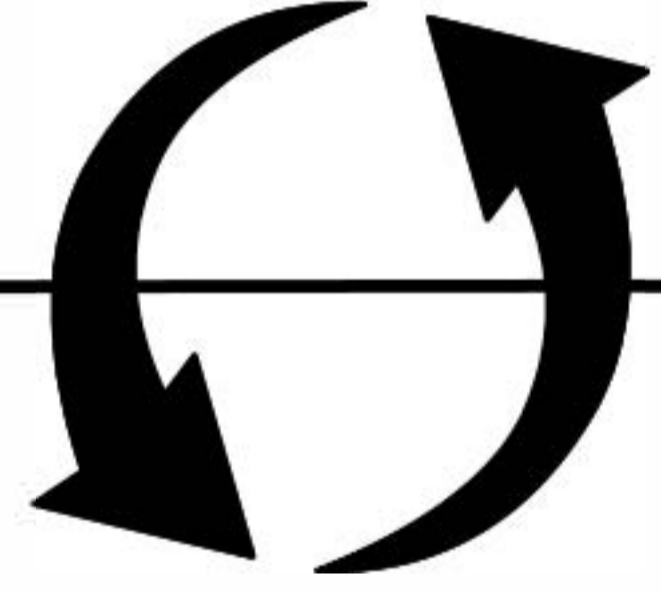
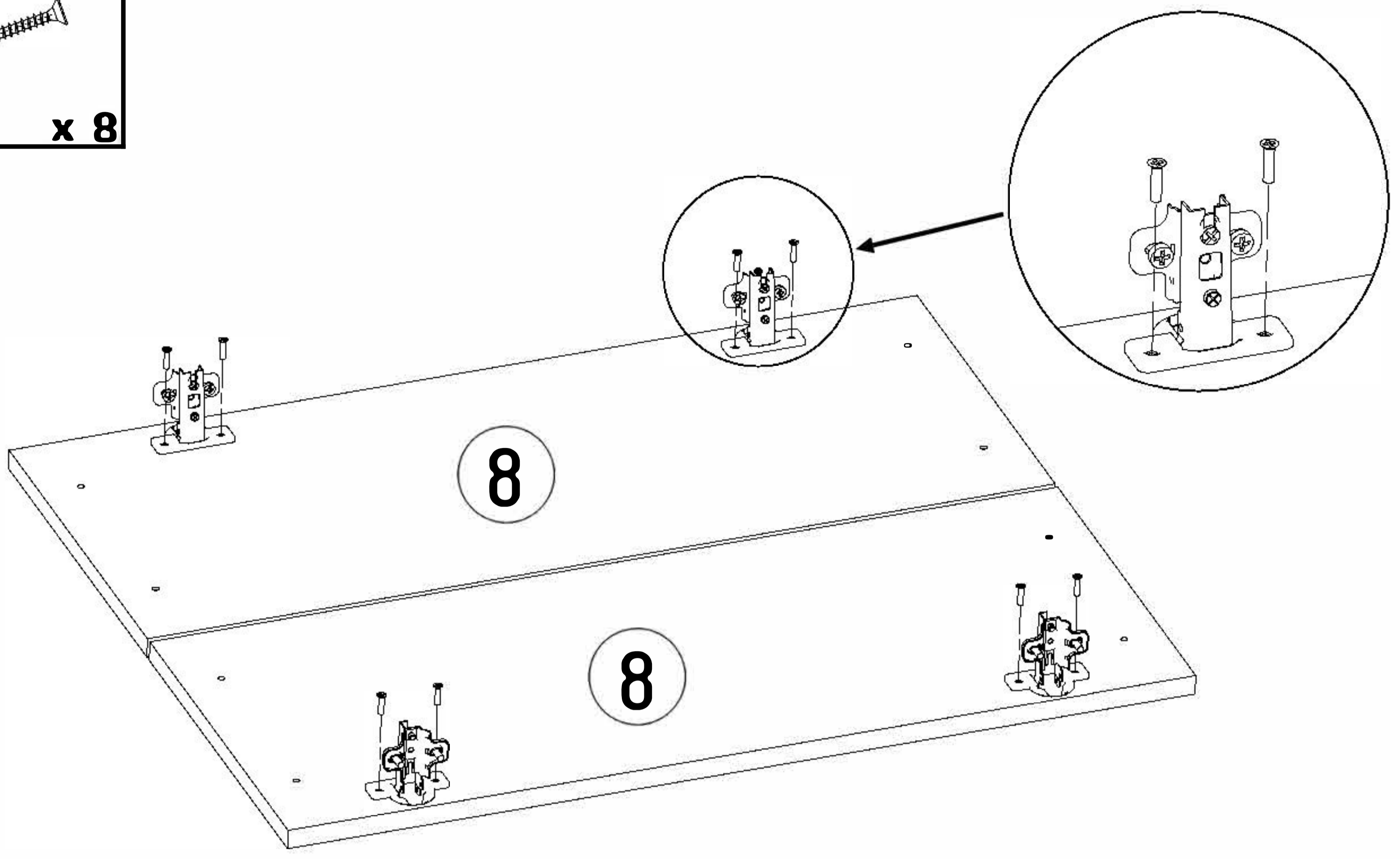
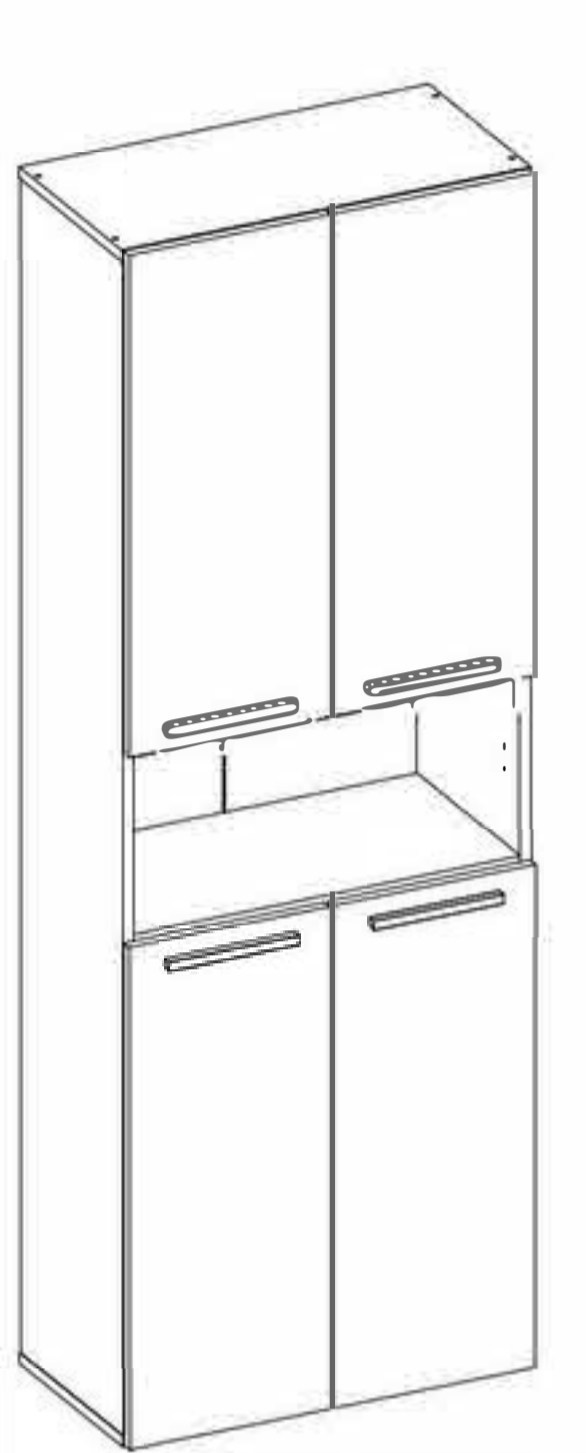
<b>Z2</b>  <b>x 80</b>	<b>S5</b>  <b>2,5x20</b> <b>x 5</b>	<b>Z4</b>  <b>x 5</b>
--	---	--

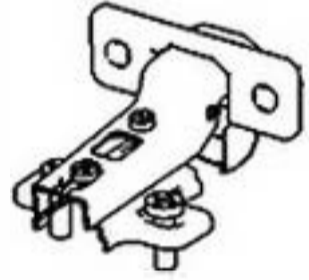



<b>A0</b>  <b>x 2</b>	<b>S1</b>  <b>3,5x16</b> <b>x 4</b>	<b>K3</b>  <b>x 4</b>	<b>K4</b>  <b>x 4</b>	<b>U3</b>  <b>x 1</b>	<b>S4</b>  <b>4x27</b> <b>x 2</b>	<b>K2</b>  <b>x 1</b>
---	---	--	--	--	---	--



<b>A0</b>  <b>x 4</b>	<b>S1</b>  <b>3,5x16</b> <b>x 8</b>
---	---



<b>A0</b>  <b>x 4</b>	<b>S1</b>  <b>3,5x16</b> <b>x 8</b>
---	---

