

Industrial Pipe Shelf 2
IPS2-3T

User Manual ▶

<https://gwhfactory.com/>

Important safety instructions:

- Young children may be injured by tipping furniture.
- Proper installation of the mounting hardware for this item is highly recommended.
- Do not stand, step, or climb on the unit.
- This product should only be used on a flat, level surface.
- Each Holds 44lbs. Exceeding this limit may damage the product or cause injury to the user.
- Do not tighten bolts/ screws completely until all bolts/ screws are lined up and inserted into holes.
- Do not overtighten bolts/ screws to avoid stripping.
- Please use hand tools to assemble this product. Do not use power tools.
- Use the packaging carton as a working surface to prevent product damage during assembly

TO GUARANTEE THE SAFE USE OF THIS PRODUCT, FOLLOW THE WARNINGS, GUIDELINES AND RECOMMENDATIONS IN THIS MANUAL.

Hello DIY Lovers,

I know how excited you are to roll up your sleeves and get to work right away, but taking a few seconds to read me can save you some installation time. I swear it only takes about 25 minutes as long as you follow the instructions exactly and the gravity where you live is still working. Don't worry, follow these simple instructions and you'll come back to your lover in no time.

All you need is ...

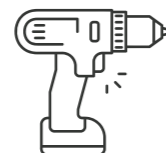
- A cup of coffee
- A motivational playlist
- Basic installation skill, so you can use these hand tools:



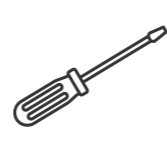
1. 1 Measuring tape
(already gifted by us)



2. 1 Pencil
(borrow your kid)



3. 1 Driller
(make sure your wall can be drilled)



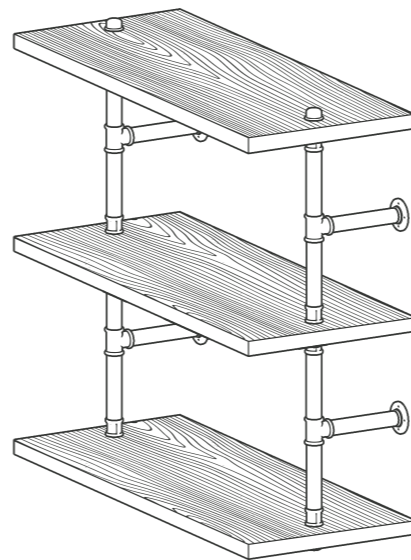
4. 1 Screwdriver



1 Spirit Level Ruler
(optional)

LET'S GET STARTED!

This is what a successfully installed pipe shelf should look like.



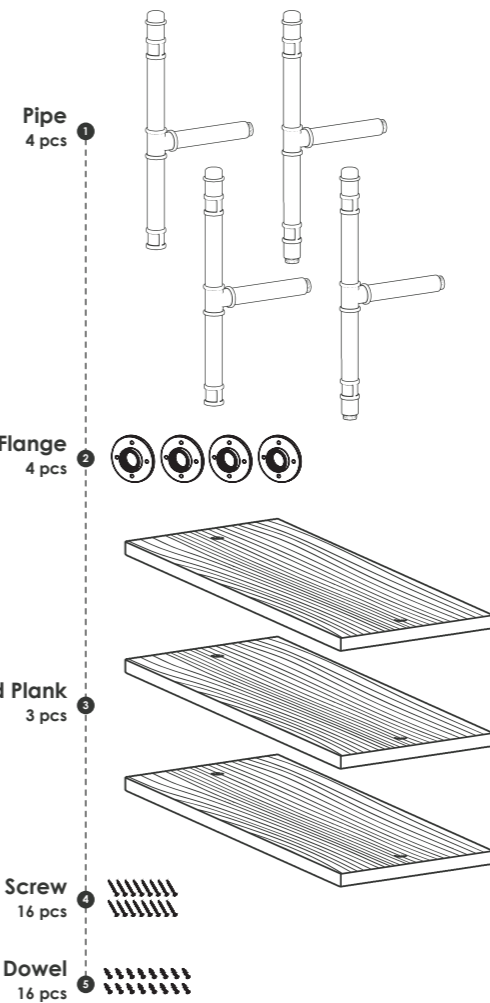
Estimated time for assembly



The order of work to do is:

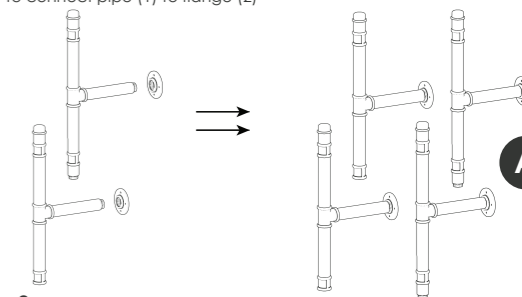
1. Assemble the shelf (10 min)
 2. Attach the shelf to the wall (15 min)
- It's easy, right?

Below are the pipe shelf parts that are already included in the kit.

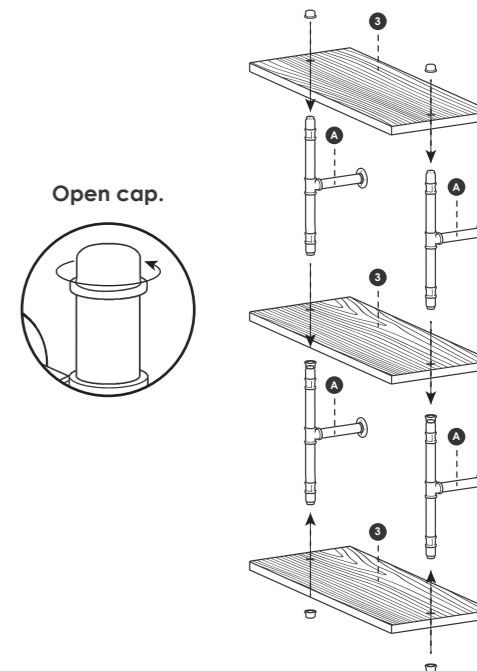


1. Assemble the Shelf

Step 1:
Twist to connect pipe (1) to flange (2)

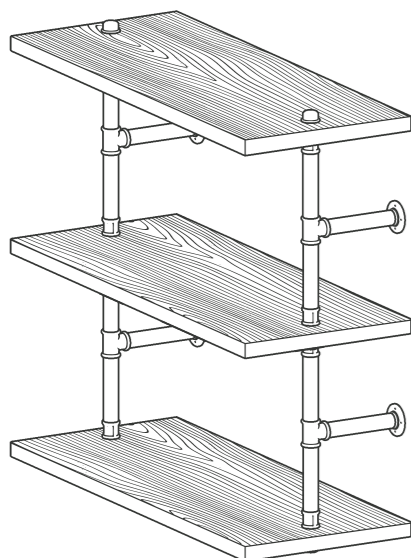


Step 2:
Twist to open cap and place your wood plank (3) on pipe (1) through it's hole.



Open cap.

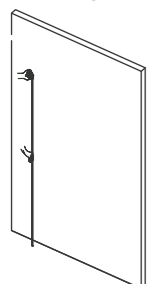
Step 2:
Twist to close cap and stabilize your wood plank.



Close cap.

2. Attach the pipe to the wall

Step 1:
Measure the perfect height using the measuring tape.

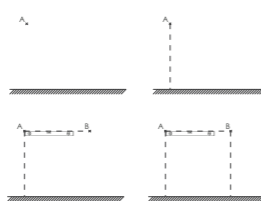


Step 2:
Place Pipe Shelf on the wall fit to the height you mark earlier.



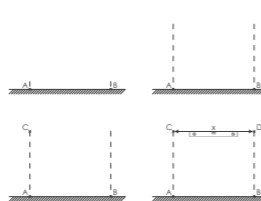
2 Tips to keep 2 brackets at the same height and in line:

Tip 1: Use a spirit level ruler to draw a line parallel to the ground



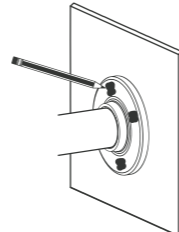
1. Determine the height of the shelf and mark 1 point (Point A) on the wall
2. From Point A, draw a line perpendicular to the ground (Line A)
3. From point A, use a spirit level ruler to draw a line perpendicular to line A, which is parallel to the ground (Line A1)
4. On-Line A1, locate point B so that AB = the suitable size
5. From Point B, draw a line perpendicular to the ground (Line B)
6. Place brackets on Line A and Line B, which were drawn earlier.

Tip 2: Use the properties of rectangles to draw a line parallel to the ground

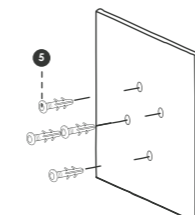


1. Determine 2 points A and B on the ground so that AB = X (the suitable size)
2. From A, draw a line perpendicular to the ground on the wall, we have Line A. On-Line A, choose a point (C) so that AC is the desired height of the Rack.
3. From B, draw a line perpendicular to the ground on the wall, we have Line B. On-Line B, choose a point (D) such that CD = AB (use measuring tape)
4. Place 2 brackets on AC and BD, which were drawn earlier.

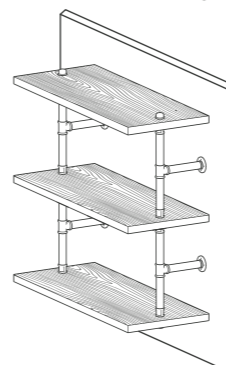
Step 3:
Use a pencil to mark 4 Flange holes.



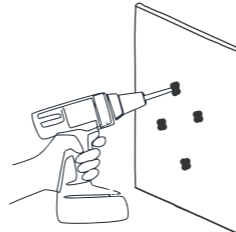
Step 5:
Use the handle of the screwdriver to knock dowels into the previously drilled holes



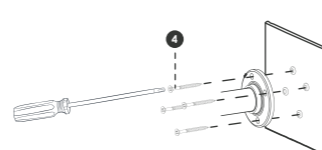
Step 7:
Do the same with the remaining 3 and Tada!



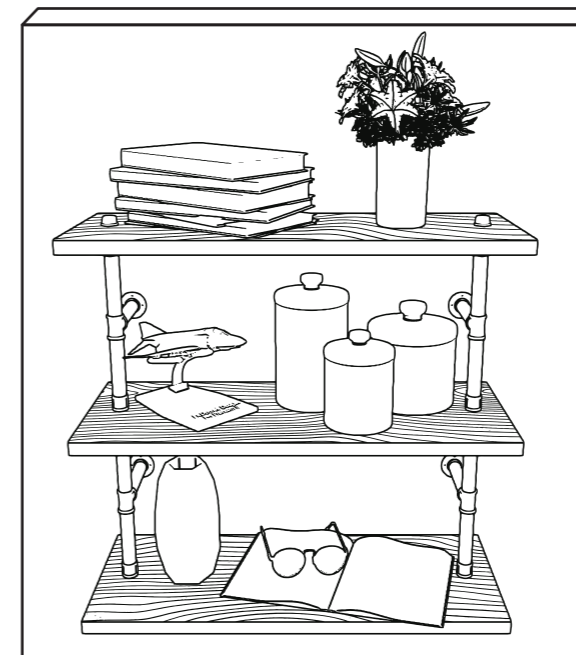
Step 4:
Drill 4 holes for each Flange.



Step 6:
Use a screwdriver to drive 4 screws into 4 Flange holes and 4 dowels.



3. Finish.



"Ta-da!" You've done a good job!

Order a celebratory pizza, you deserve it!
... Oh. I think your lover is waiting for you.

We really don't want you to go through the hassle of re-packaging your item and sending it back, because let's be honest...nobody has time for that. ☺☺☺

Instructions for use and maintenance:

1. We recommend that you tighten the screws 2 weeks after assembly and for added safety check the tightness of all screws every 2 months.
2. DO NOT put hot serving liquid directly on the shelf.
3. DO NOT leave spilled liquid on the shelf
4. DO NOT leave children unattended before product is fully assembled.
5. Dust often using a clean, soft, dry, lint-free cloth.
6. Bolt all pieces immediately and wipe with a clean, damp cloth.
7. We do not recommend the use of chemical cleaners, abrasives, or furniture polish on our lacquered finish.

Use this bookcase responsibly with the primary concern for your safety. Follow assembly instructions carefully and inspect the product upon receipt and each use.

Warranty Information

If you have any questions or issues with the product, please contact us through the Amazon store and our website. We have a return policy if the product is defective or does not meet your expectations. Please contact us to get the most suitable solution.

Hope you will have interesting experiences with our Pipe Shelf. The instructions above are recommended for a standard shelf with stable gravity on Earth. You are sure to find something you'll love with our selection of rustic, industrial, handmade, solid wood, and space saving furniture designs along with our one-of-a-kind picture frame collections!

available at
amazon



Scan me

If you're satisfied with the product, please leave a review/feedback on our store, so that the others can benefit from our excellent products.

<https://gwhfactory.com/>