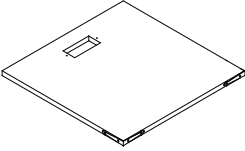
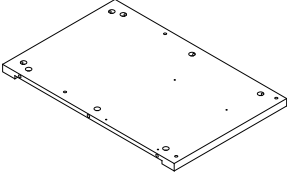
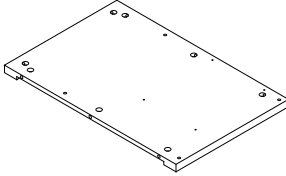
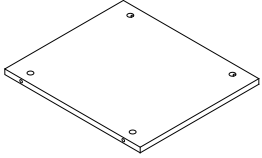
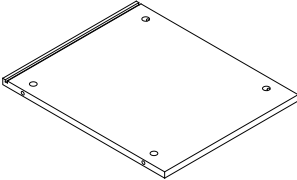
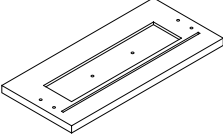
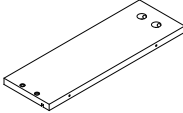
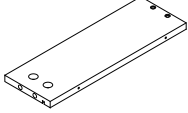
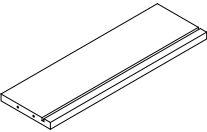
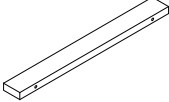
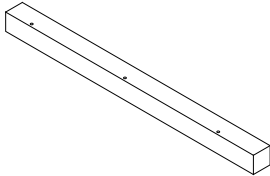
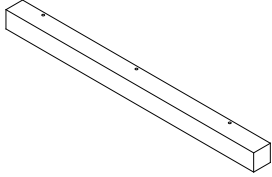
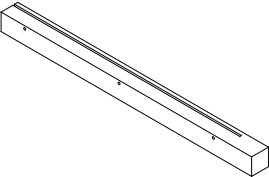
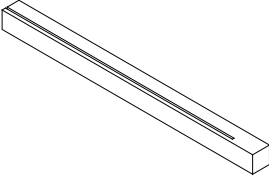
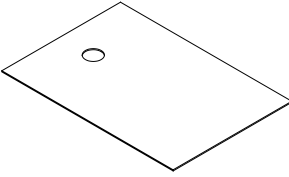
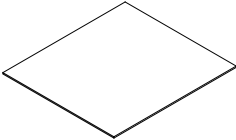
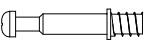



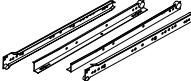

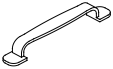





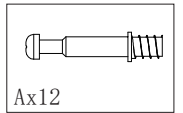
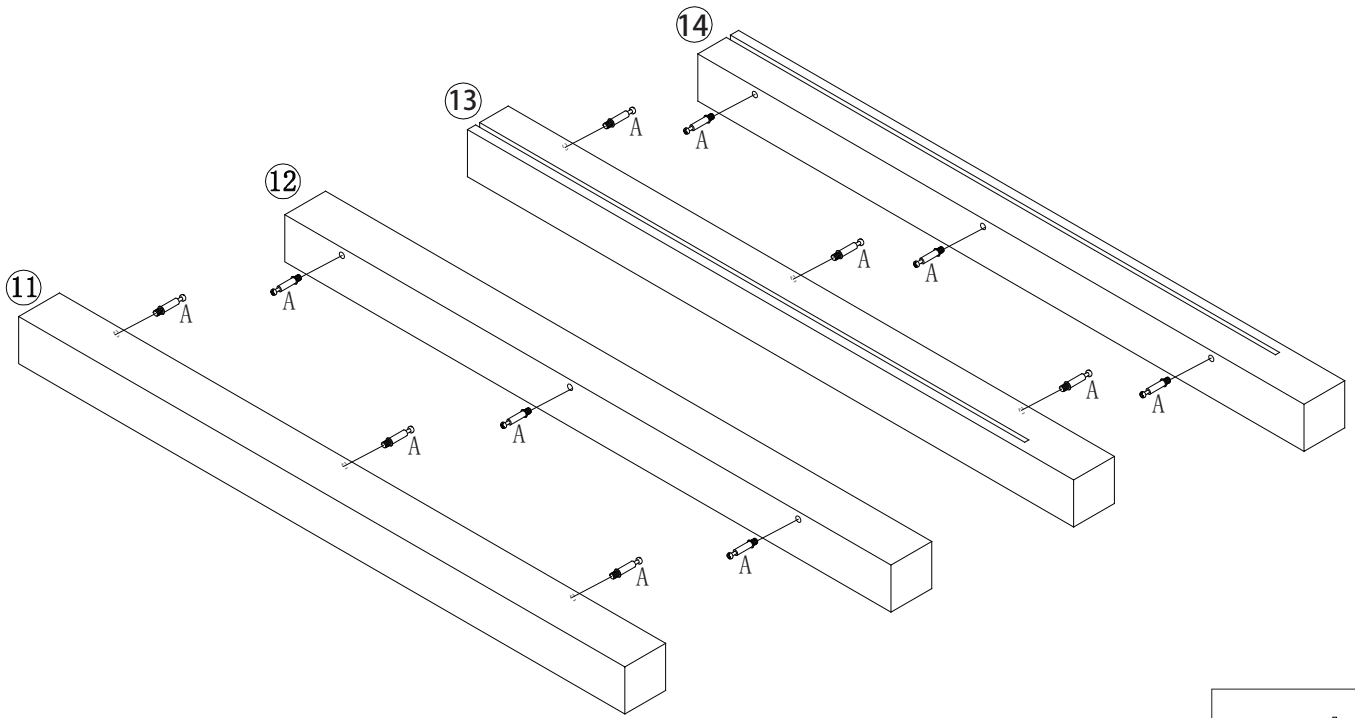


①	②	③	④
			
⑤	⑥ x2	⑦ x2	⑧ x2
			
⑨ x2	⑩	⑪	⑫
			
⑬	⑭	⑮	⑯ x2
			

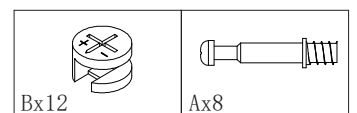
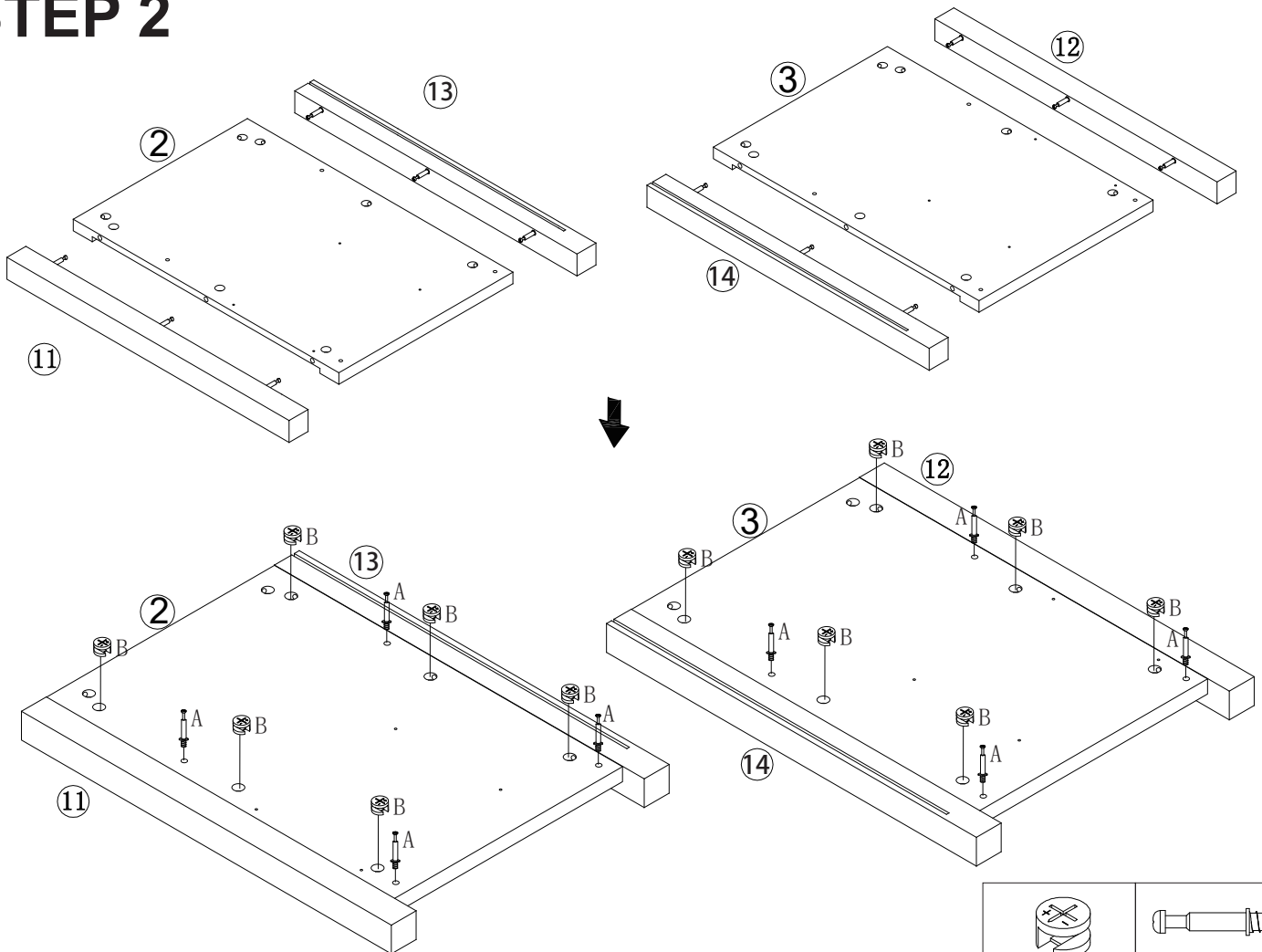
A	X32	B	X32	C	X4	D	X2	E	X2	F	X16	G	X2
													
				φ8x30		4x50				4x12			

H	X4	I	X8	J	X2	K	X8	L	X1
									
M4X8		4x35		3.5x14					

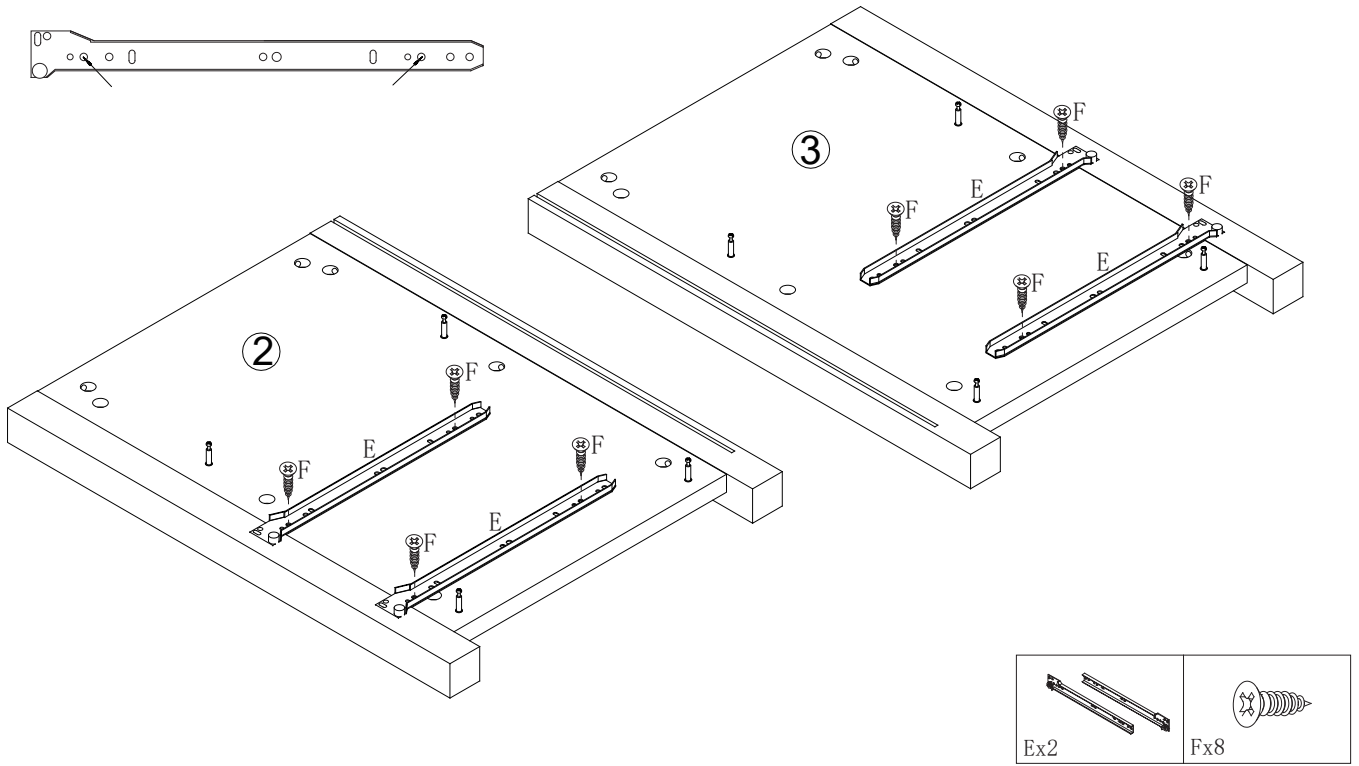
# STEP 1



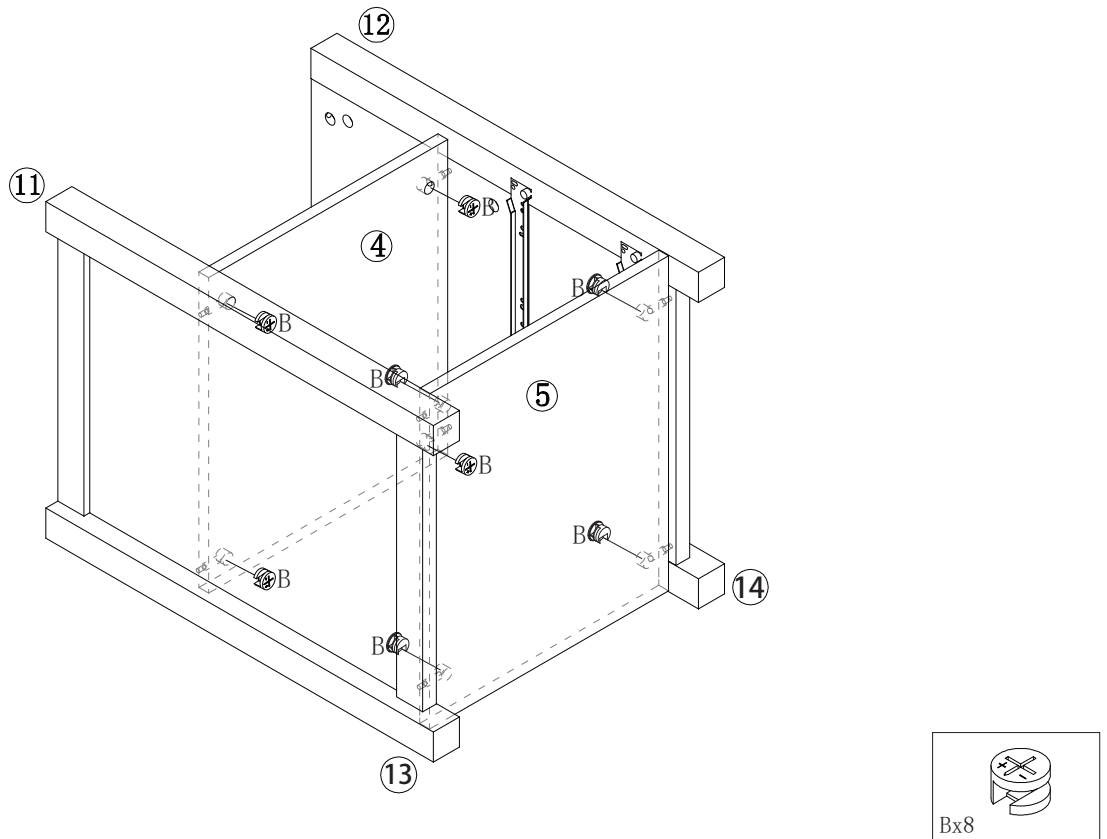
# STEP 2



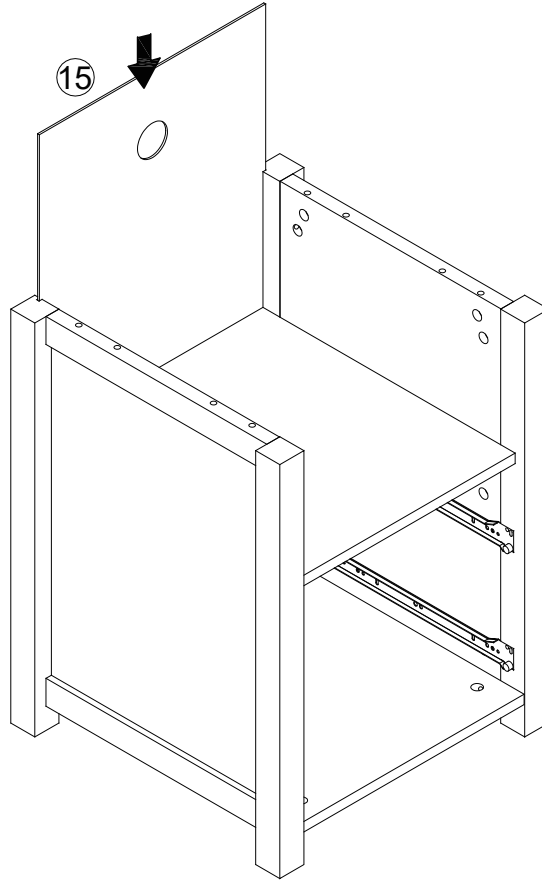
# STEP 3



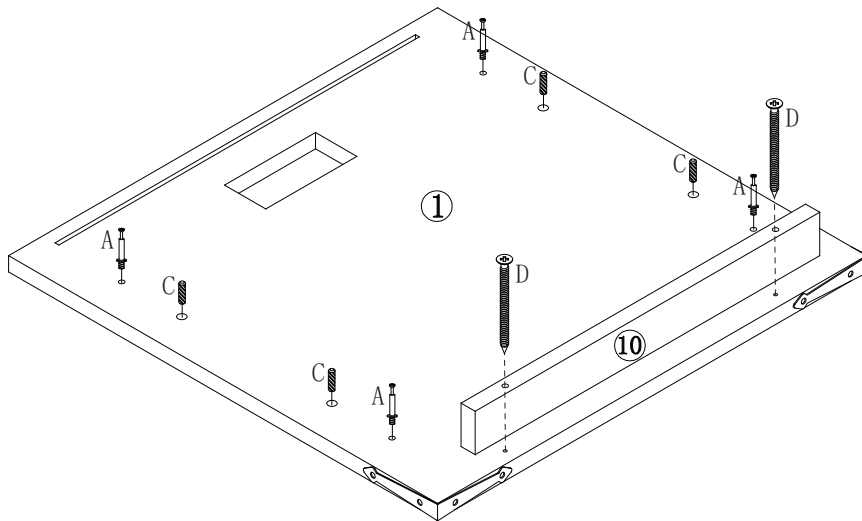
# STEP 4

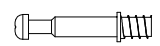




# STEP 5

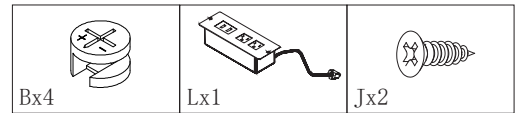
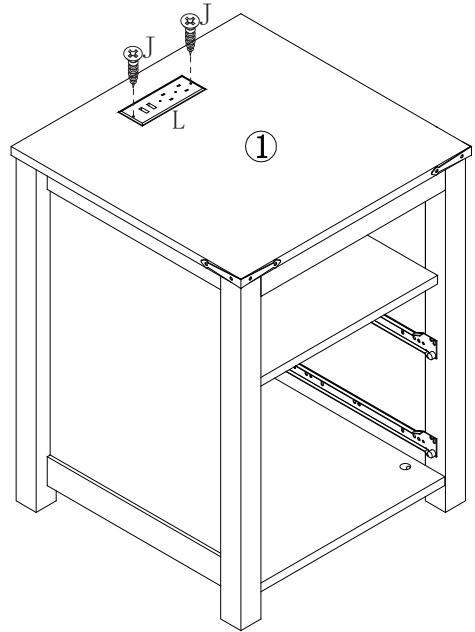
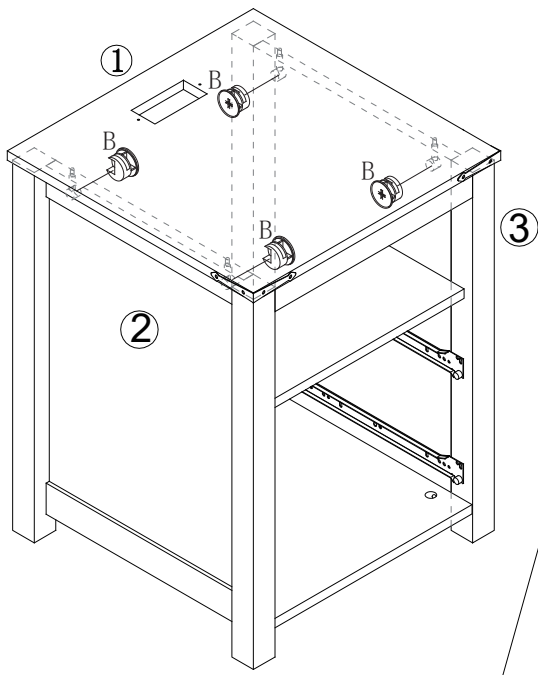


# STEP 6

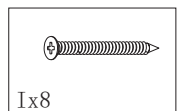
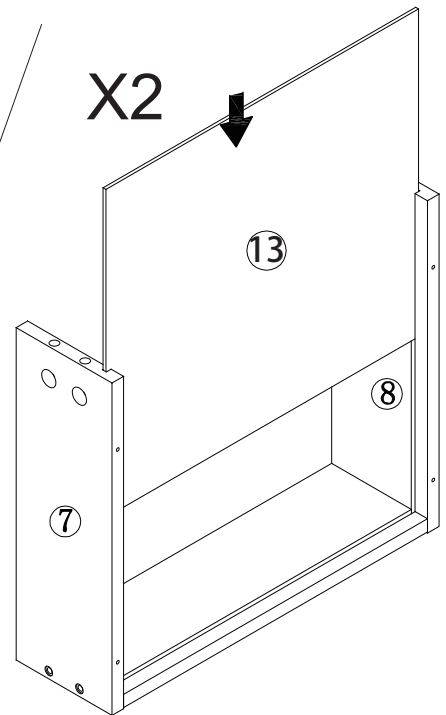
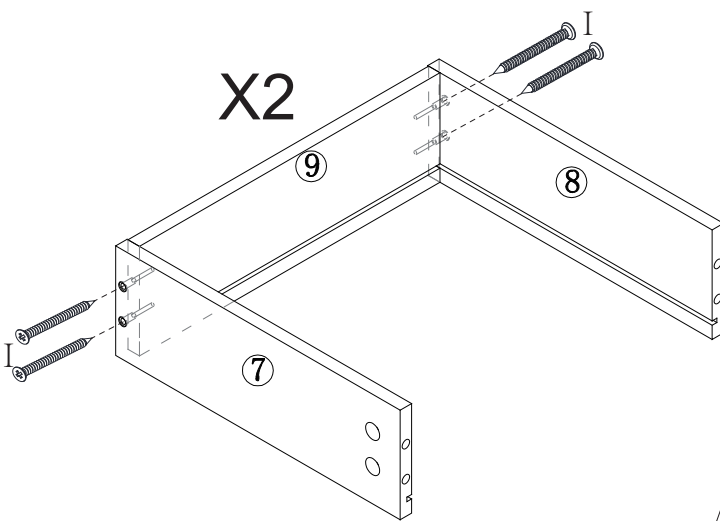


		
Ax4	Cx4	Dx2

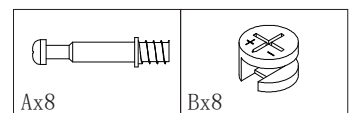
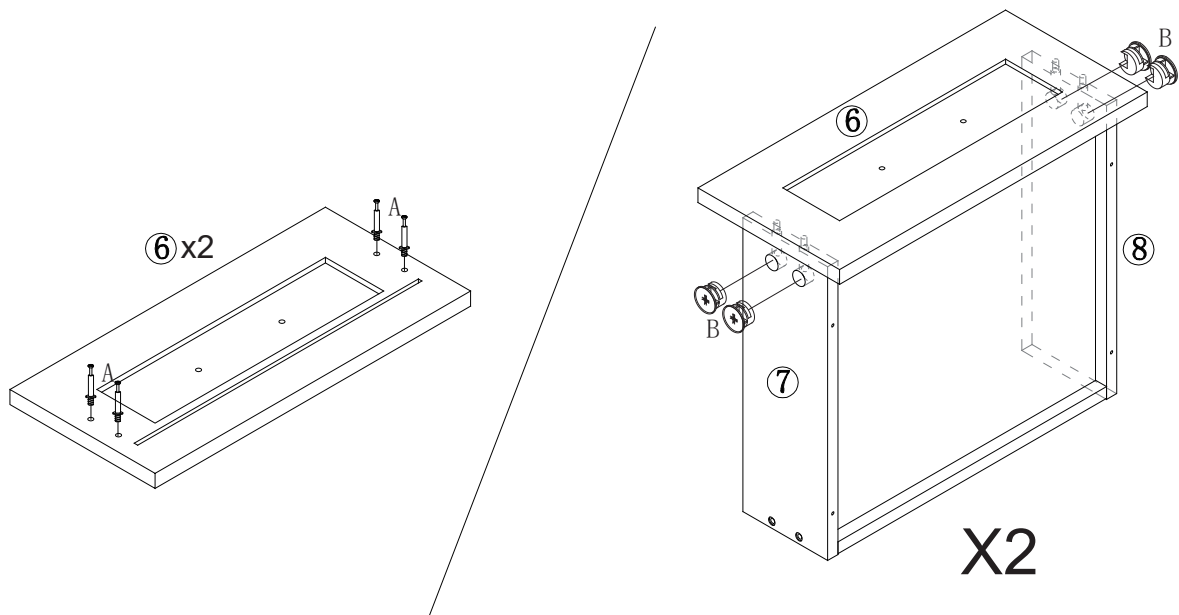
# STEP 7



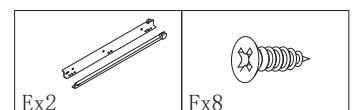
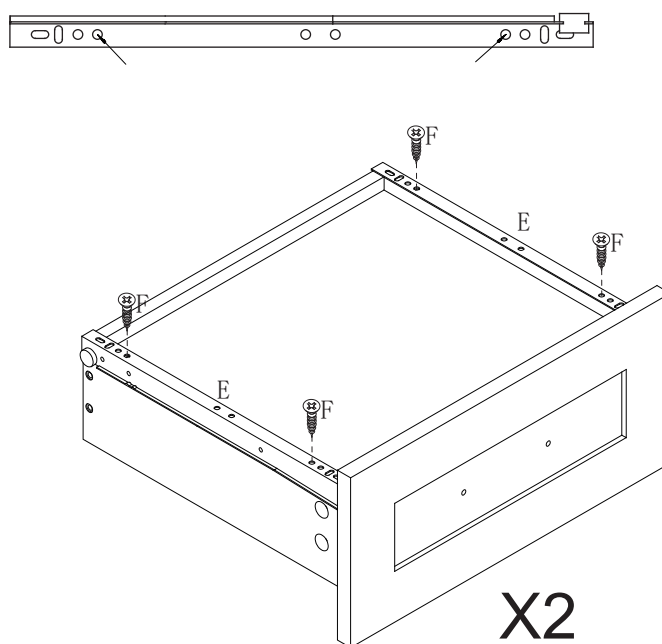
# STEP 8



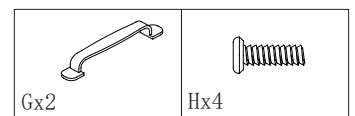
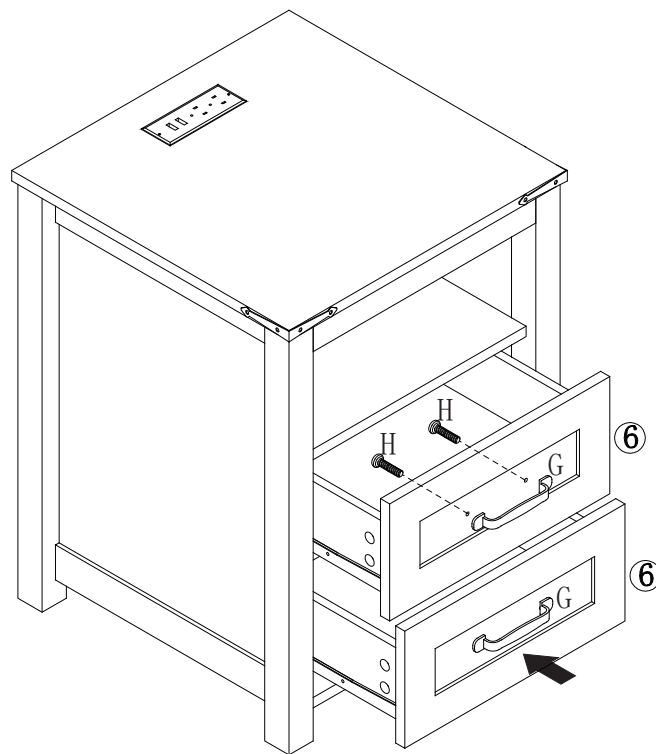
# STEP 9



# STEP 10



# STEP 11



# STEP 12

