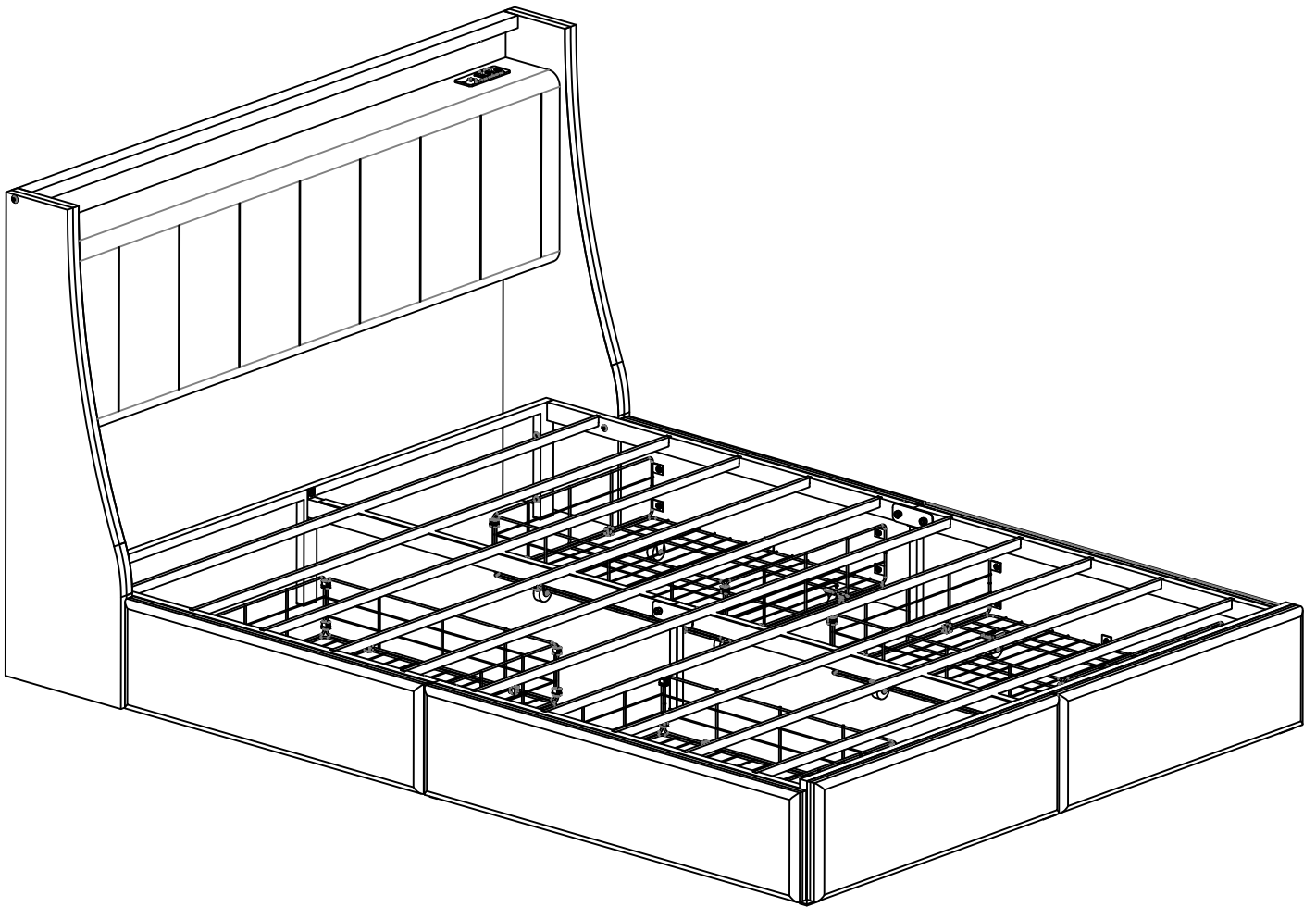
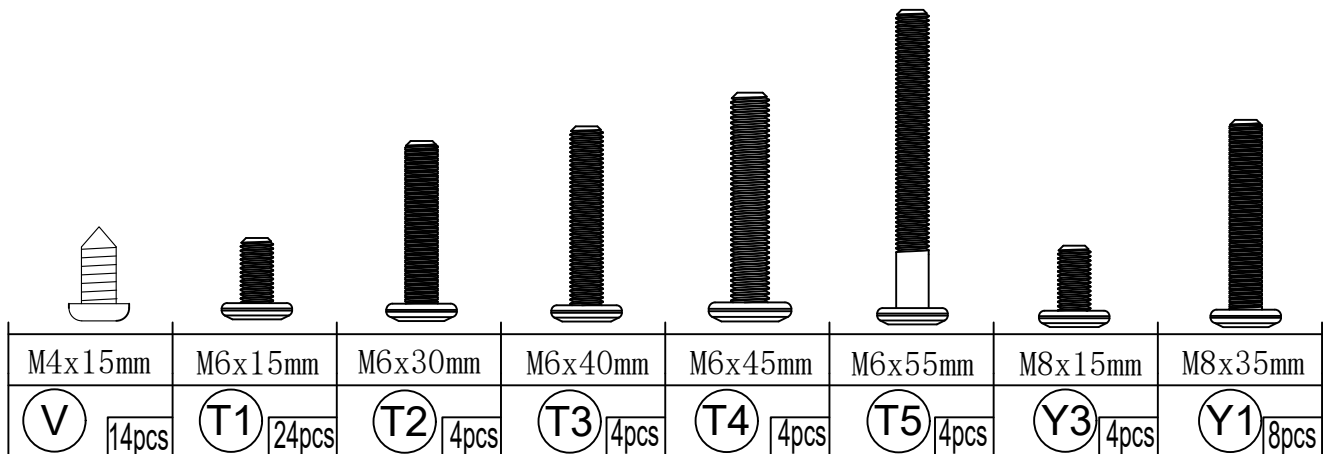
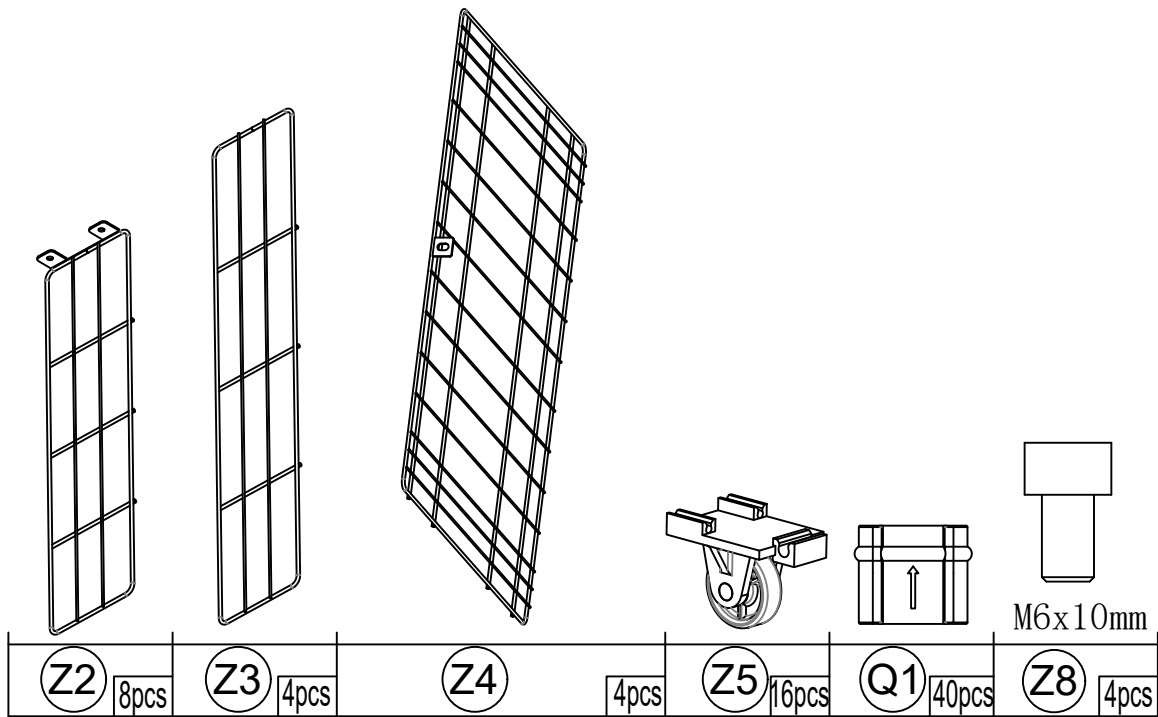
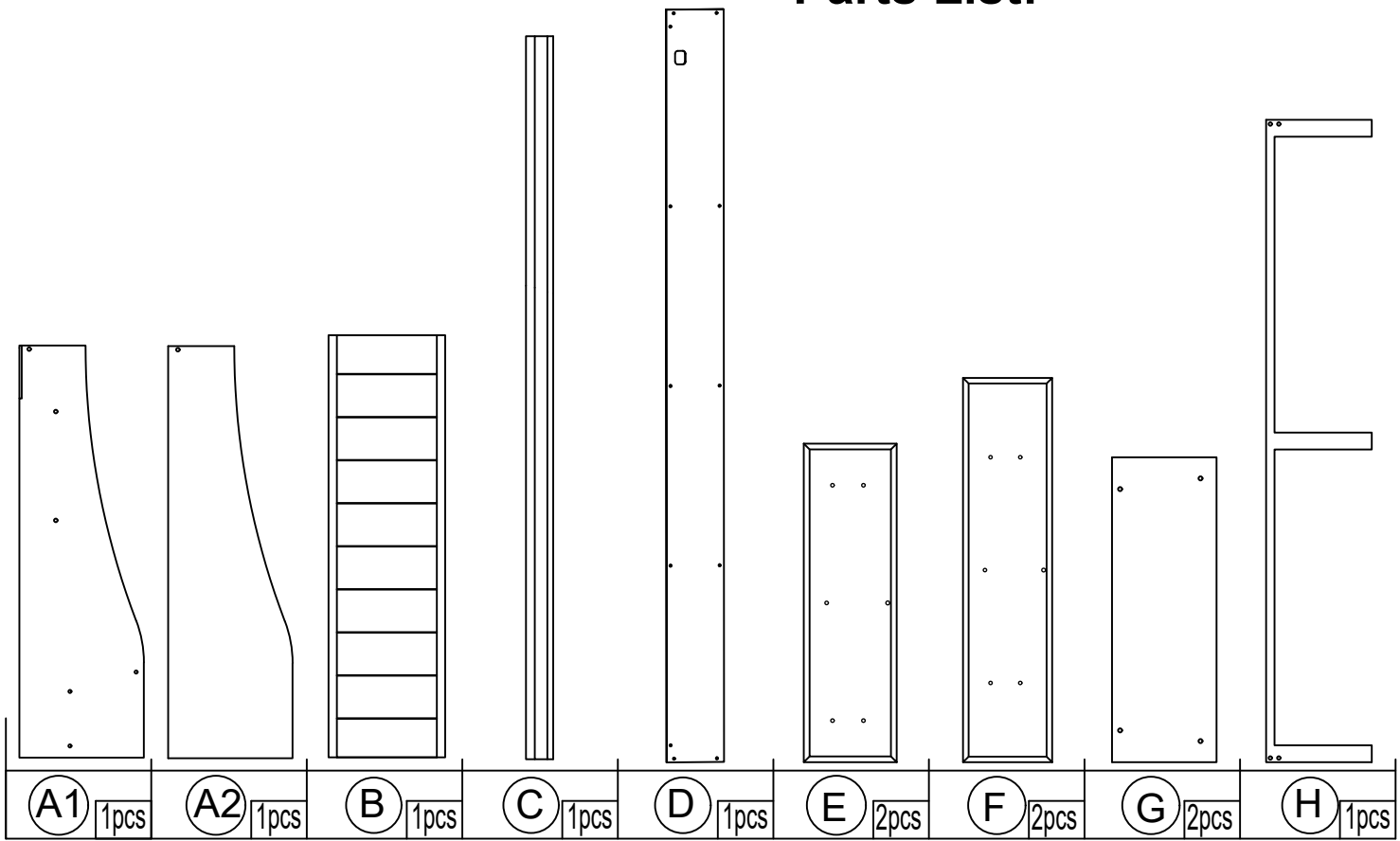


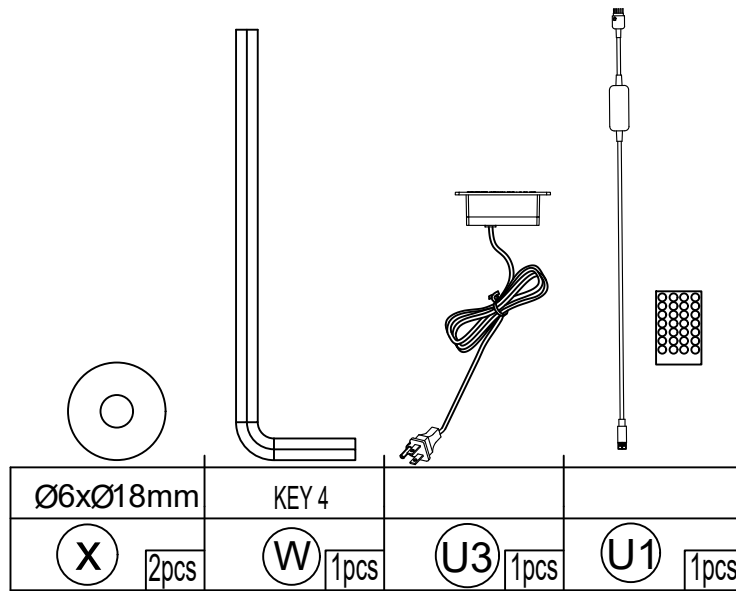
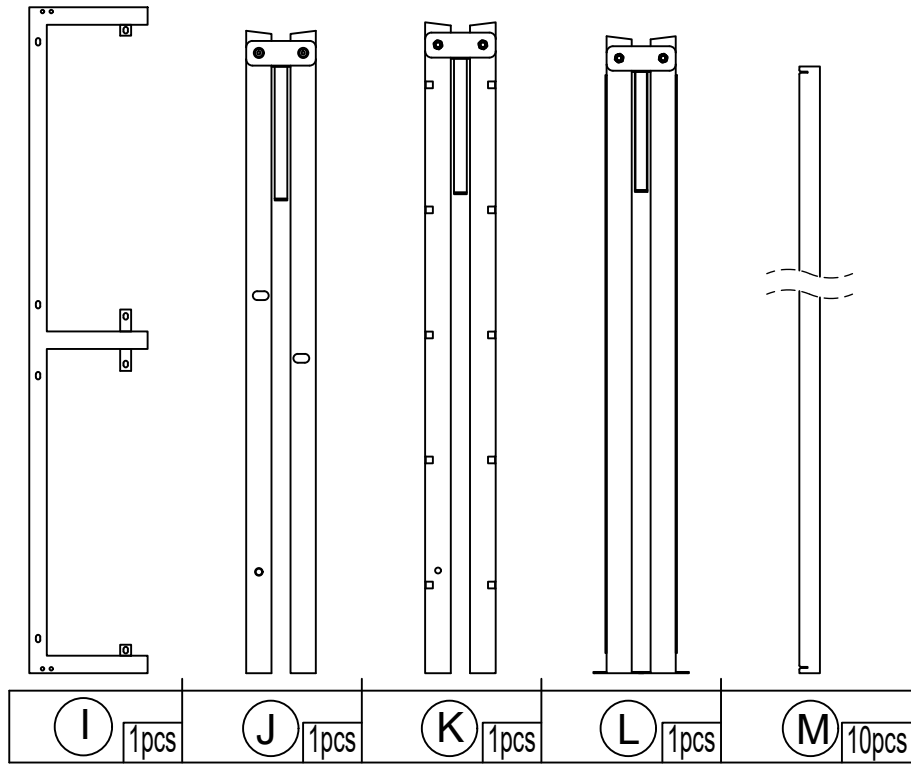
# Installation & Assembly



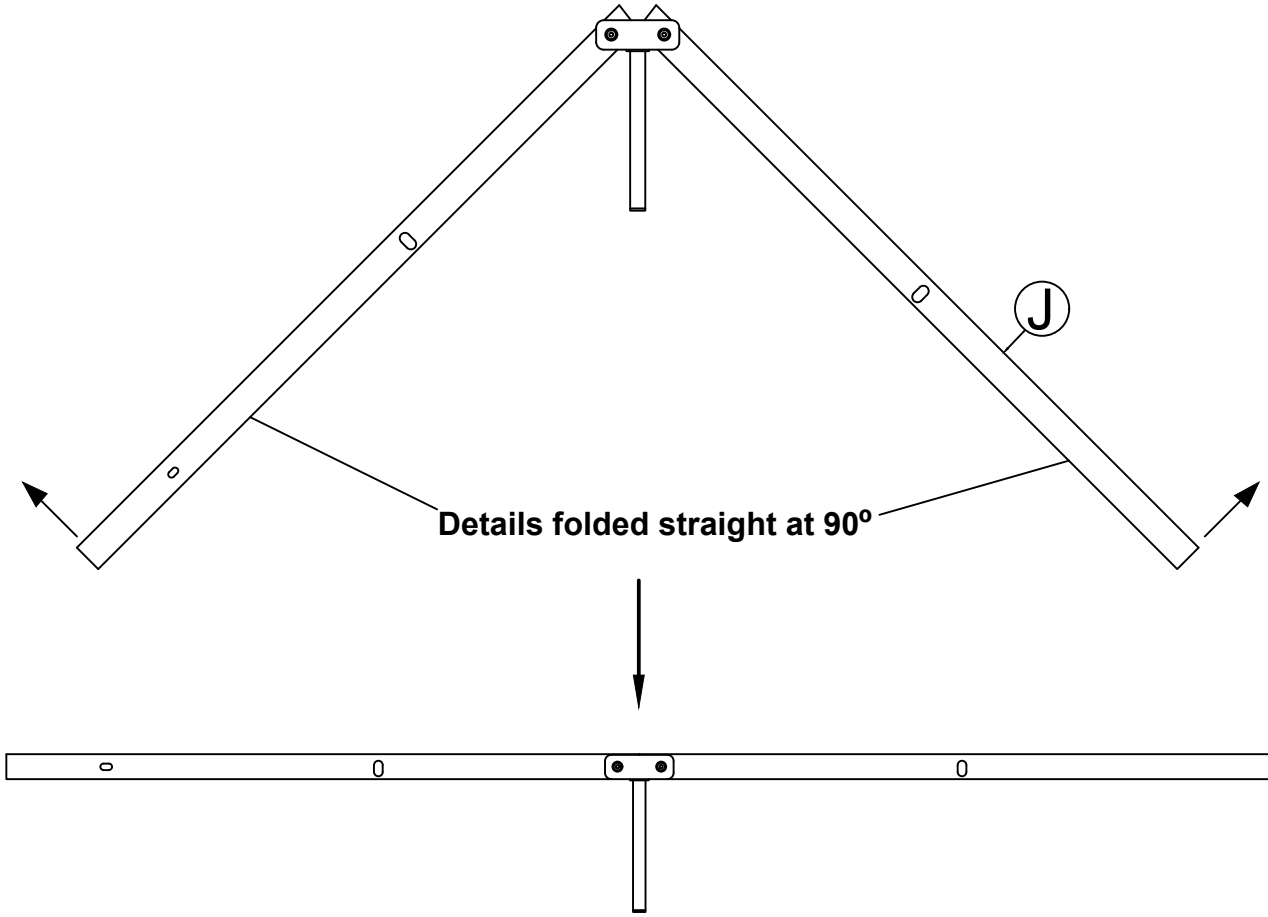
# Parts List:



# Parts List:

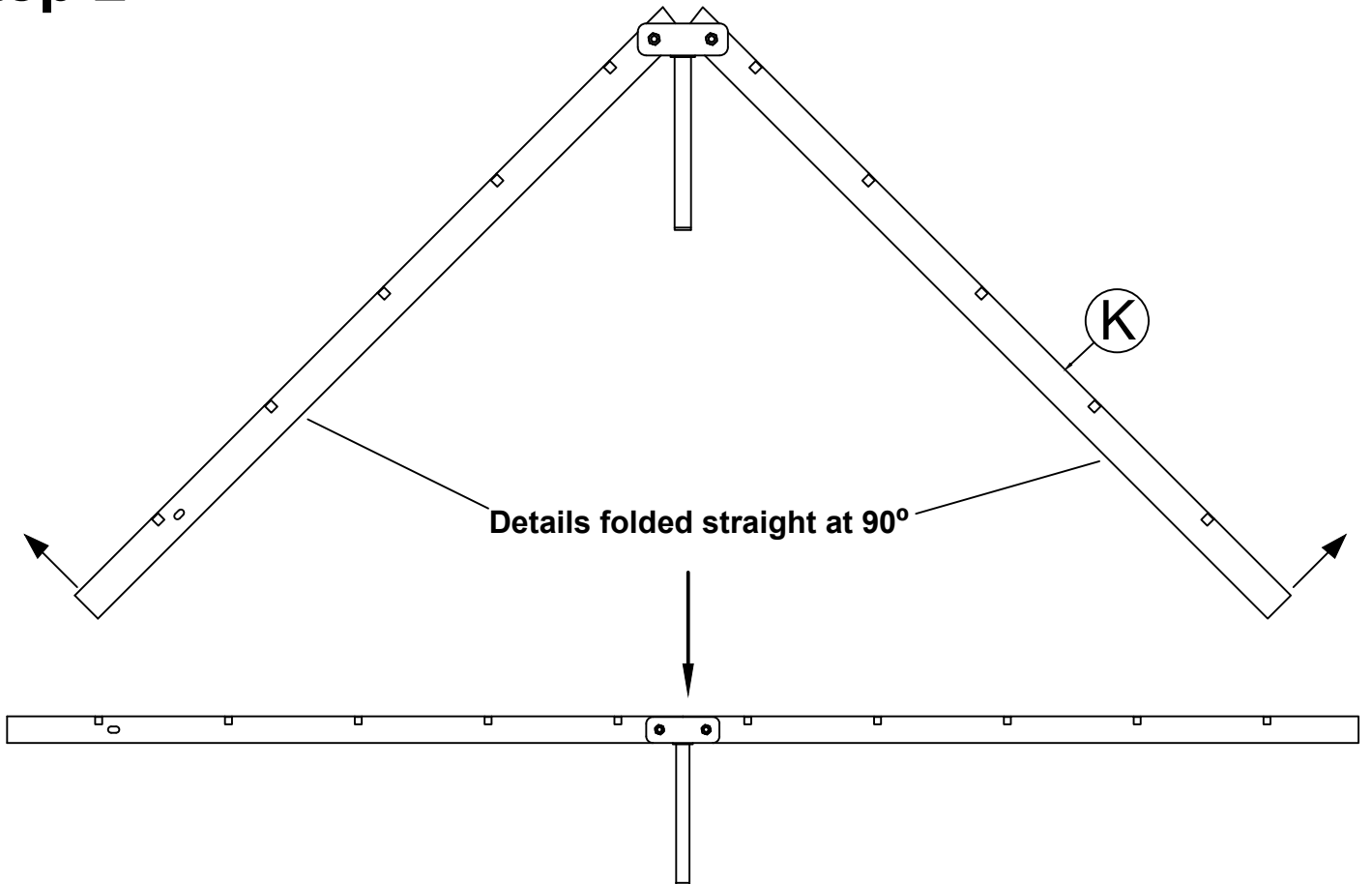


# Step 1

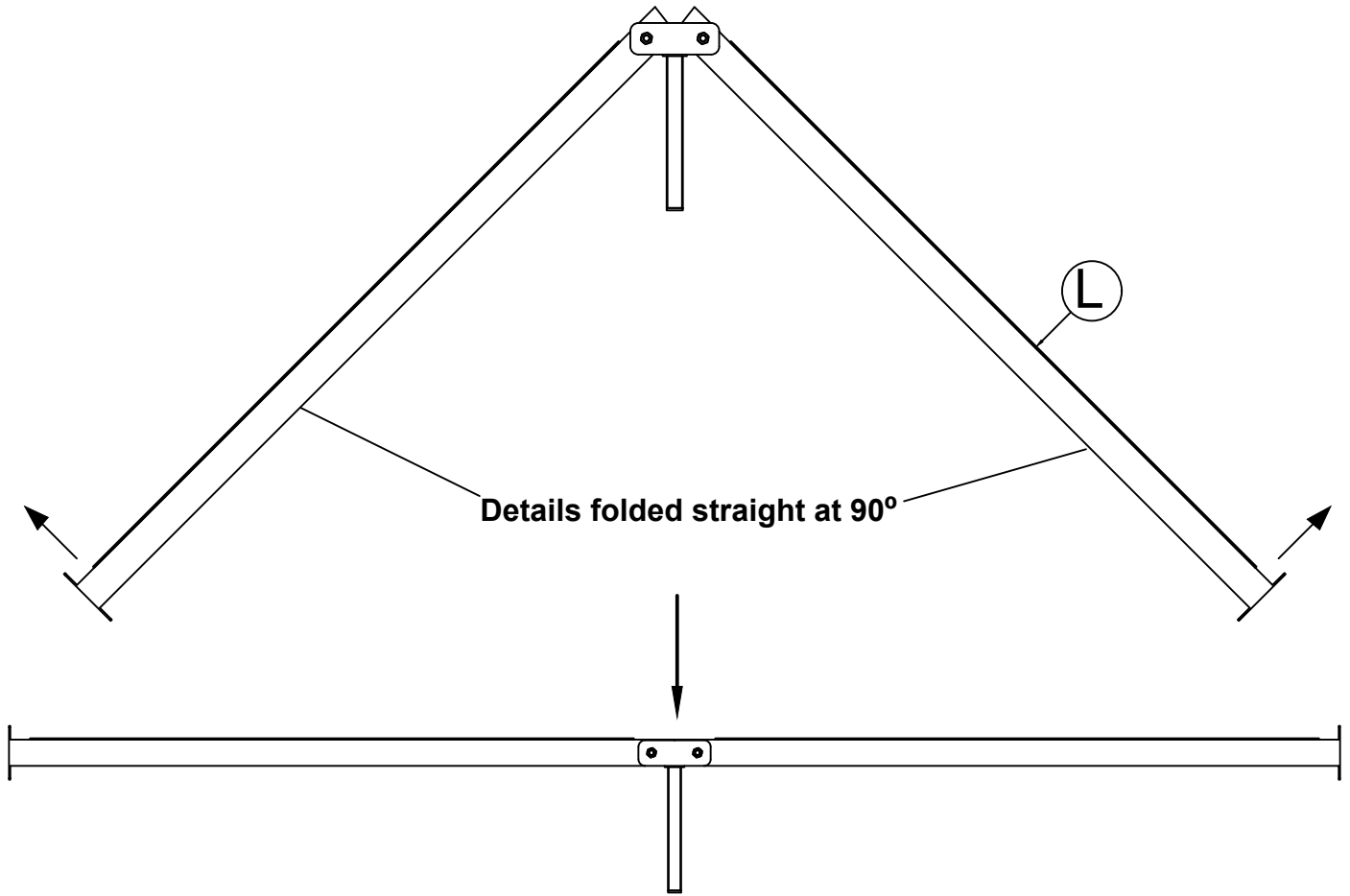


---

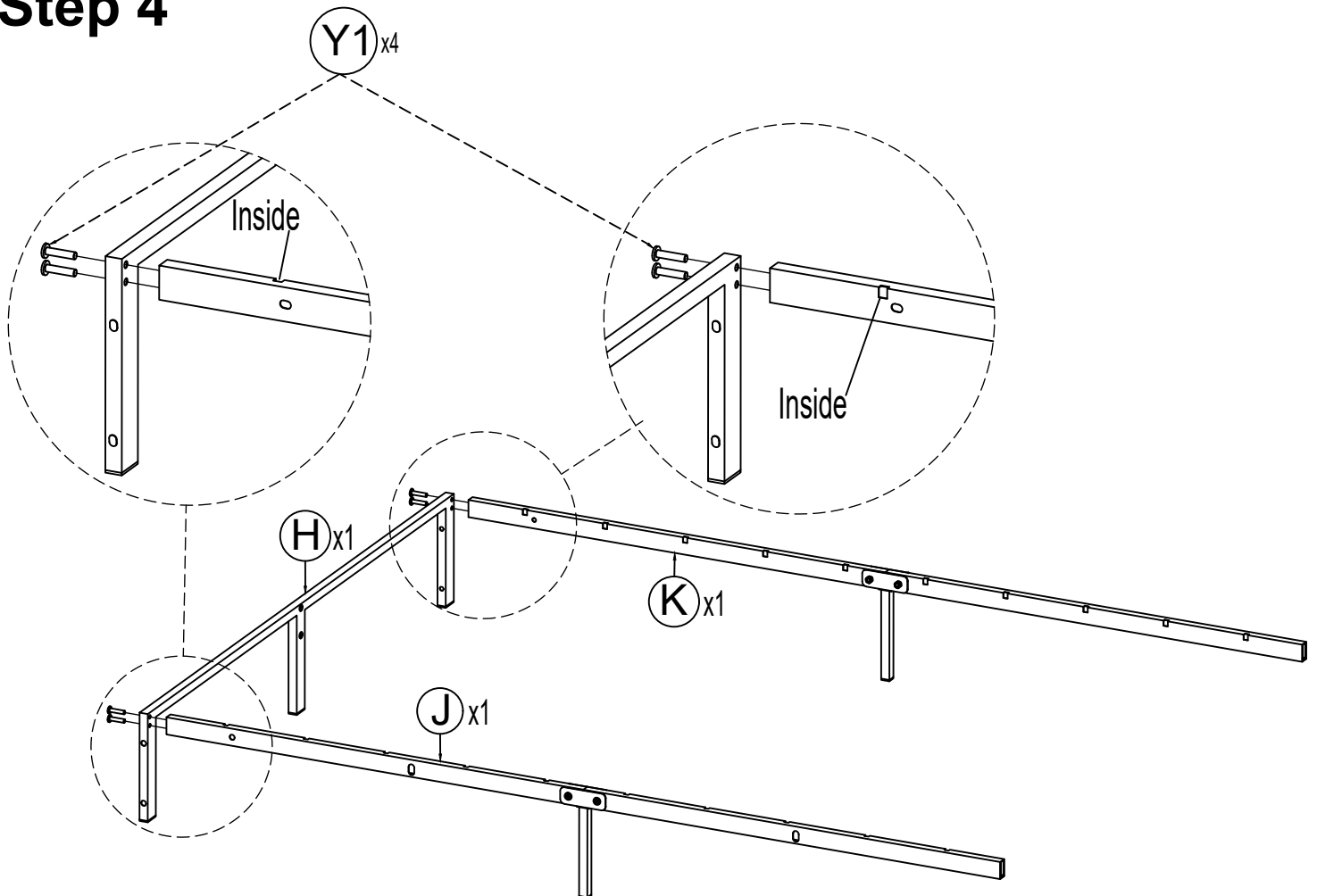
# Step 2



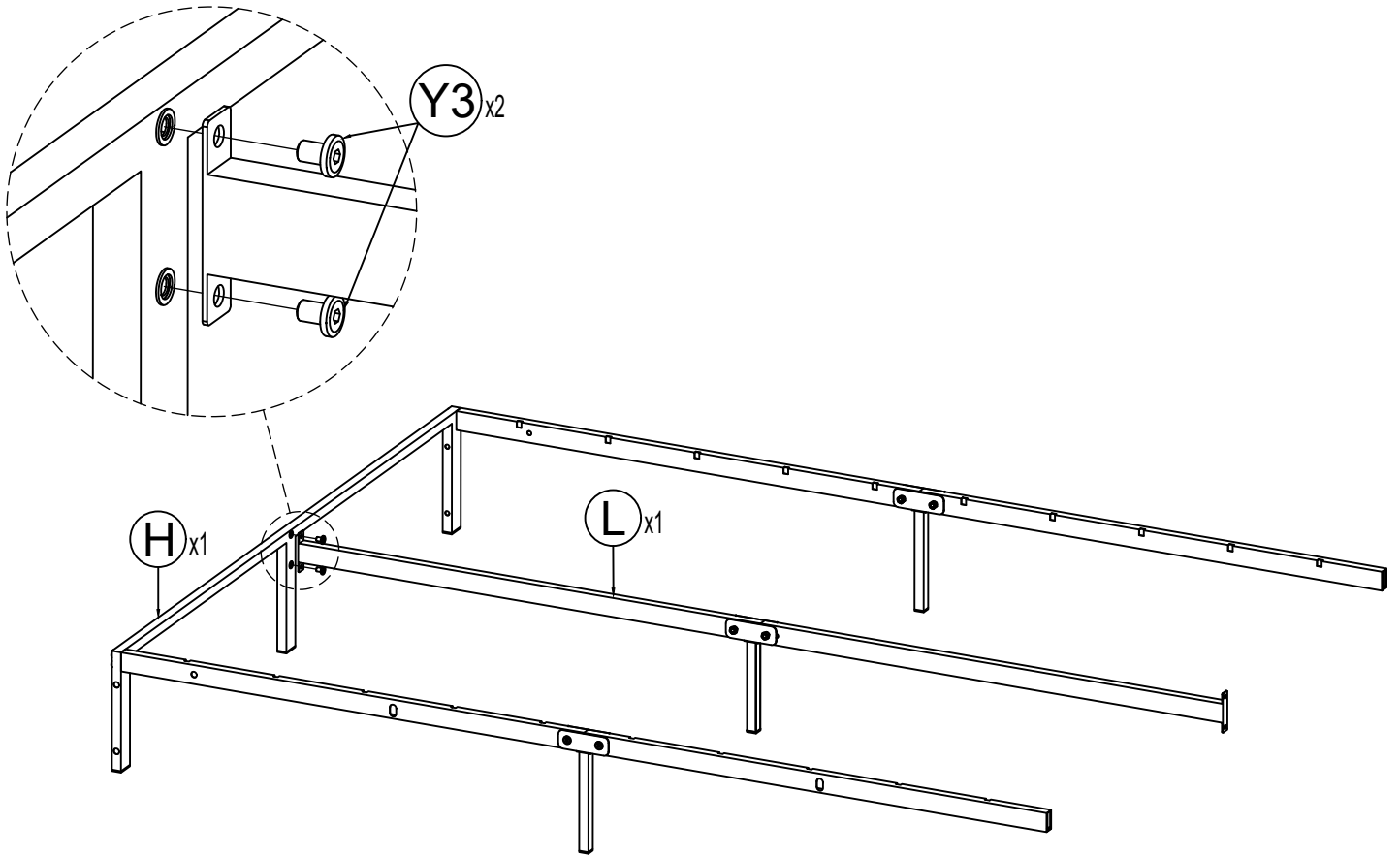
# Step 3



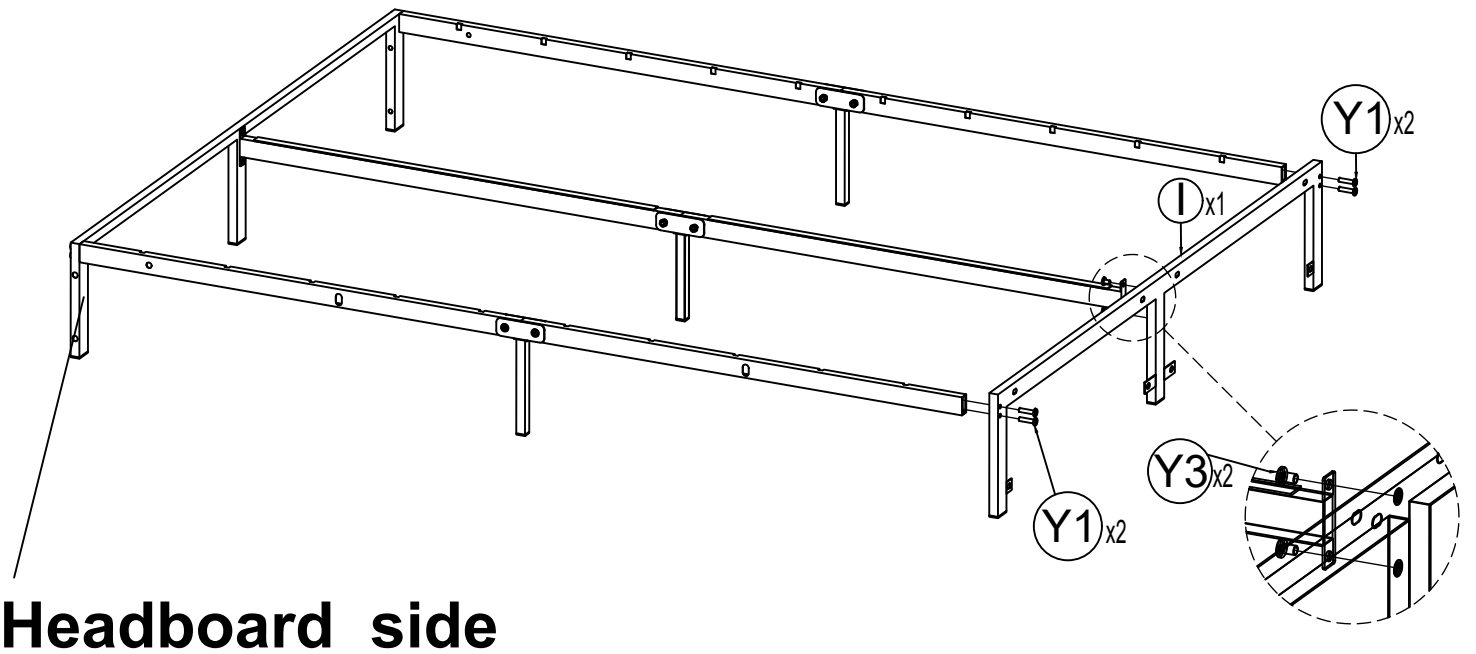
# Step 4



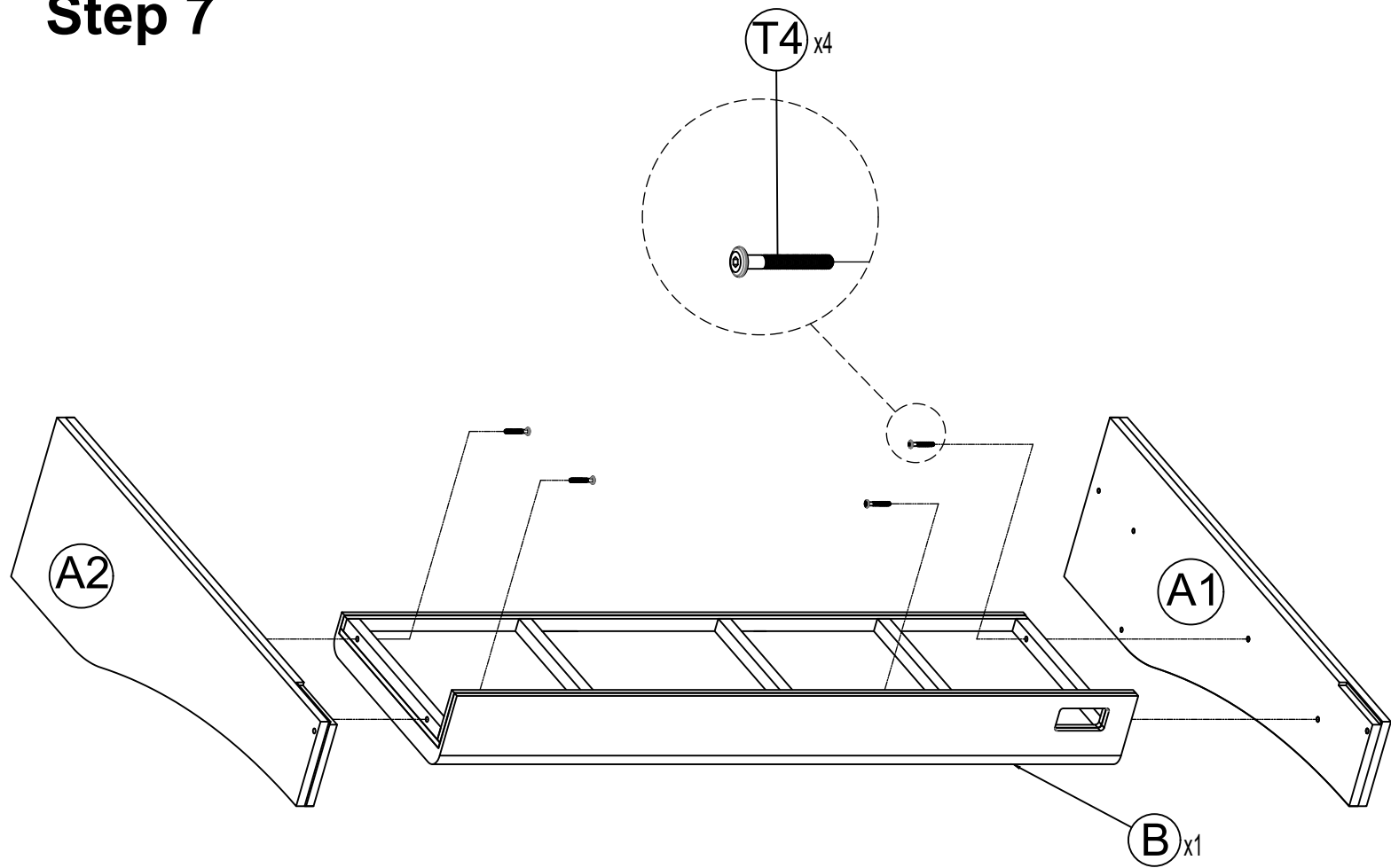
# Step 5



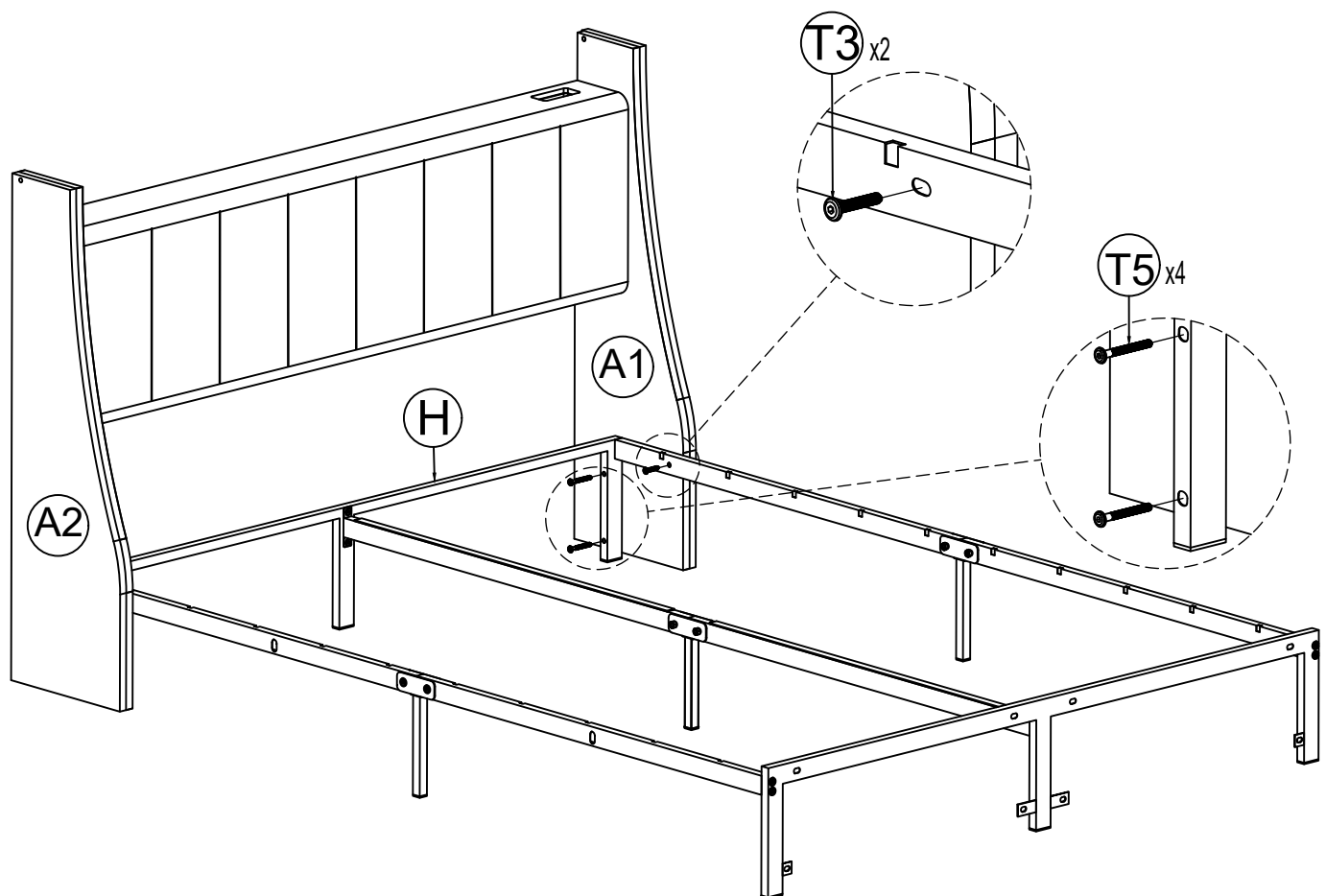
# Step 6



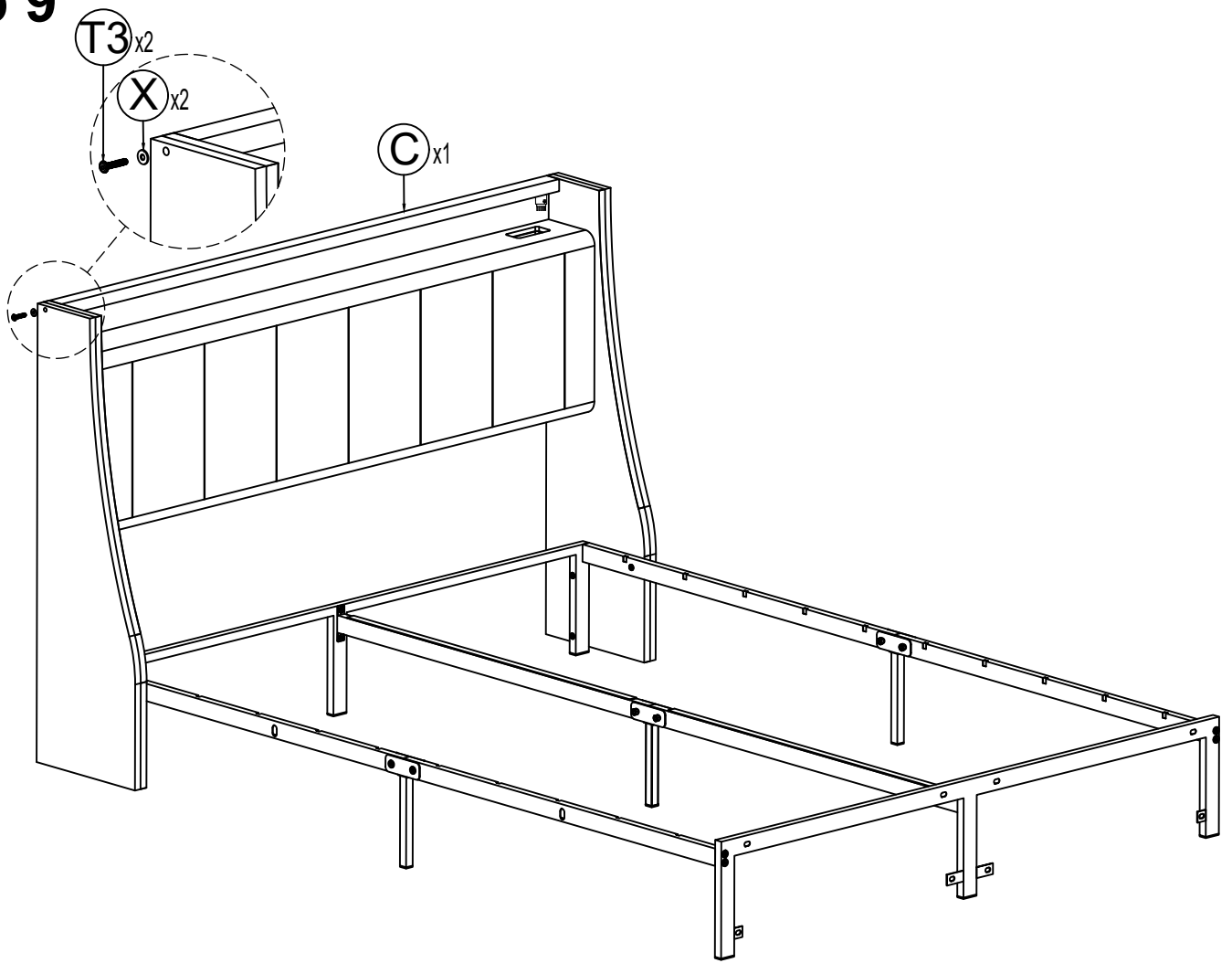
# Step 7



# Step 8

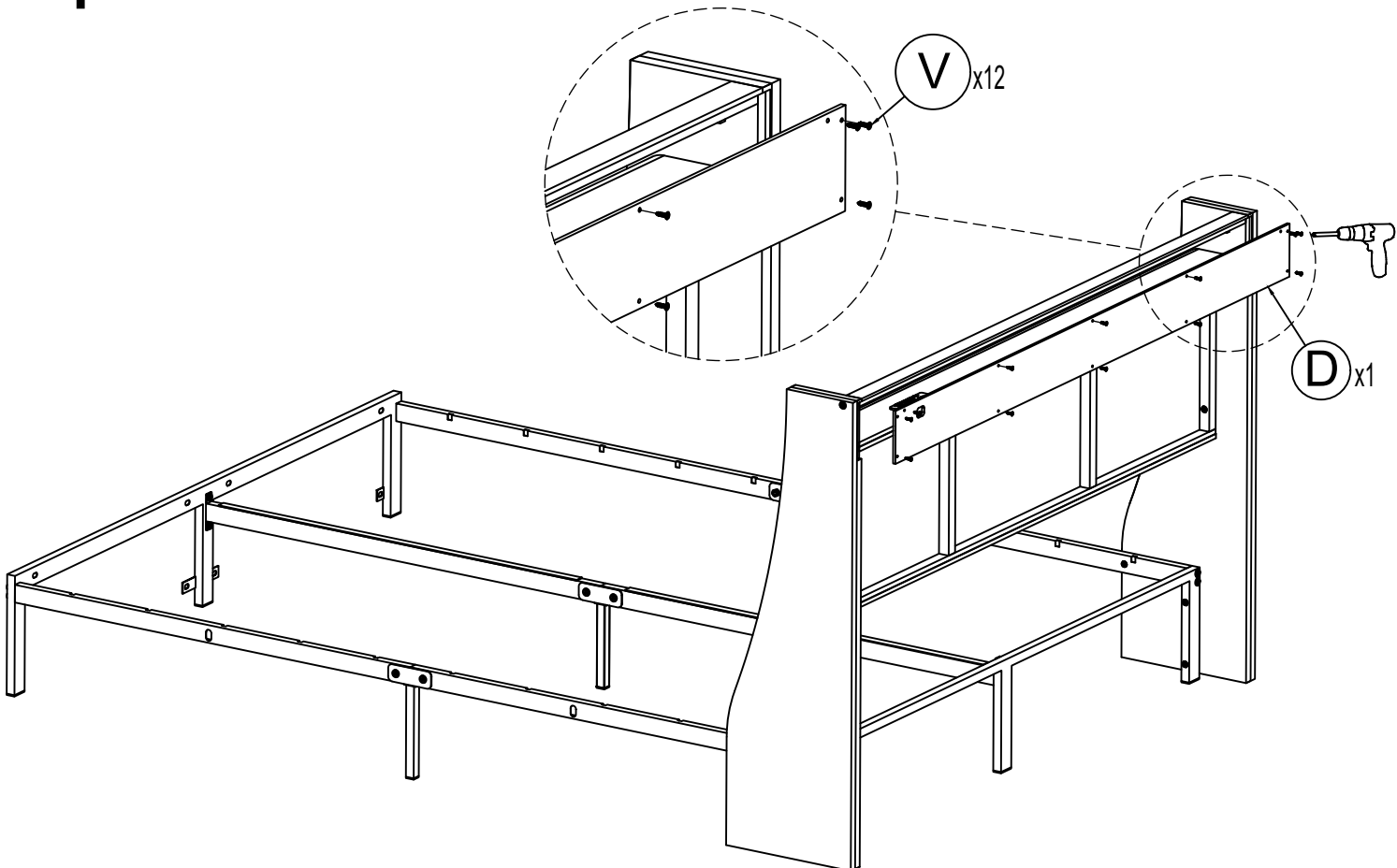


# Step 9

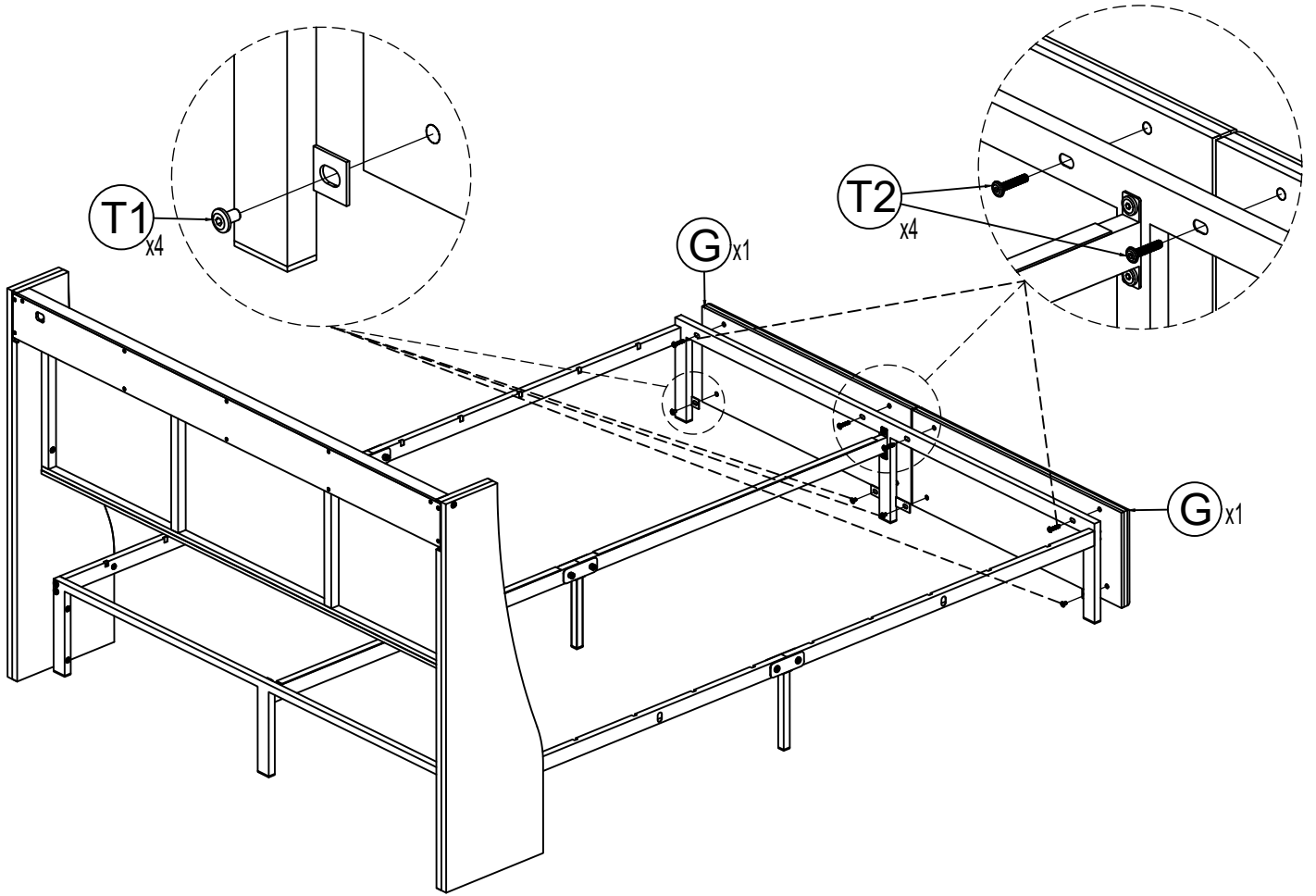


# Step 10

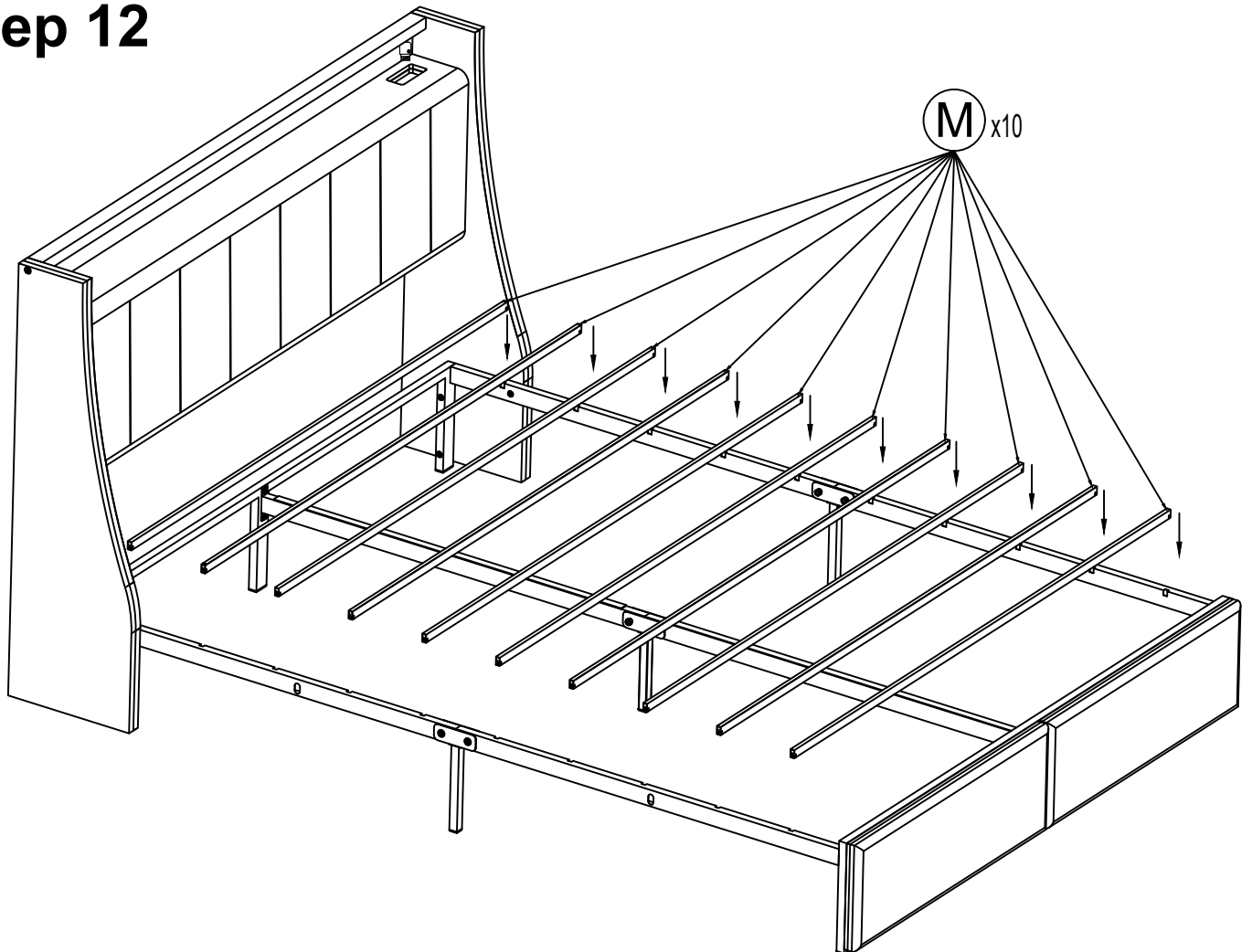
We suggest using drill machine to install "V" screws



# Step 11



# Step 12

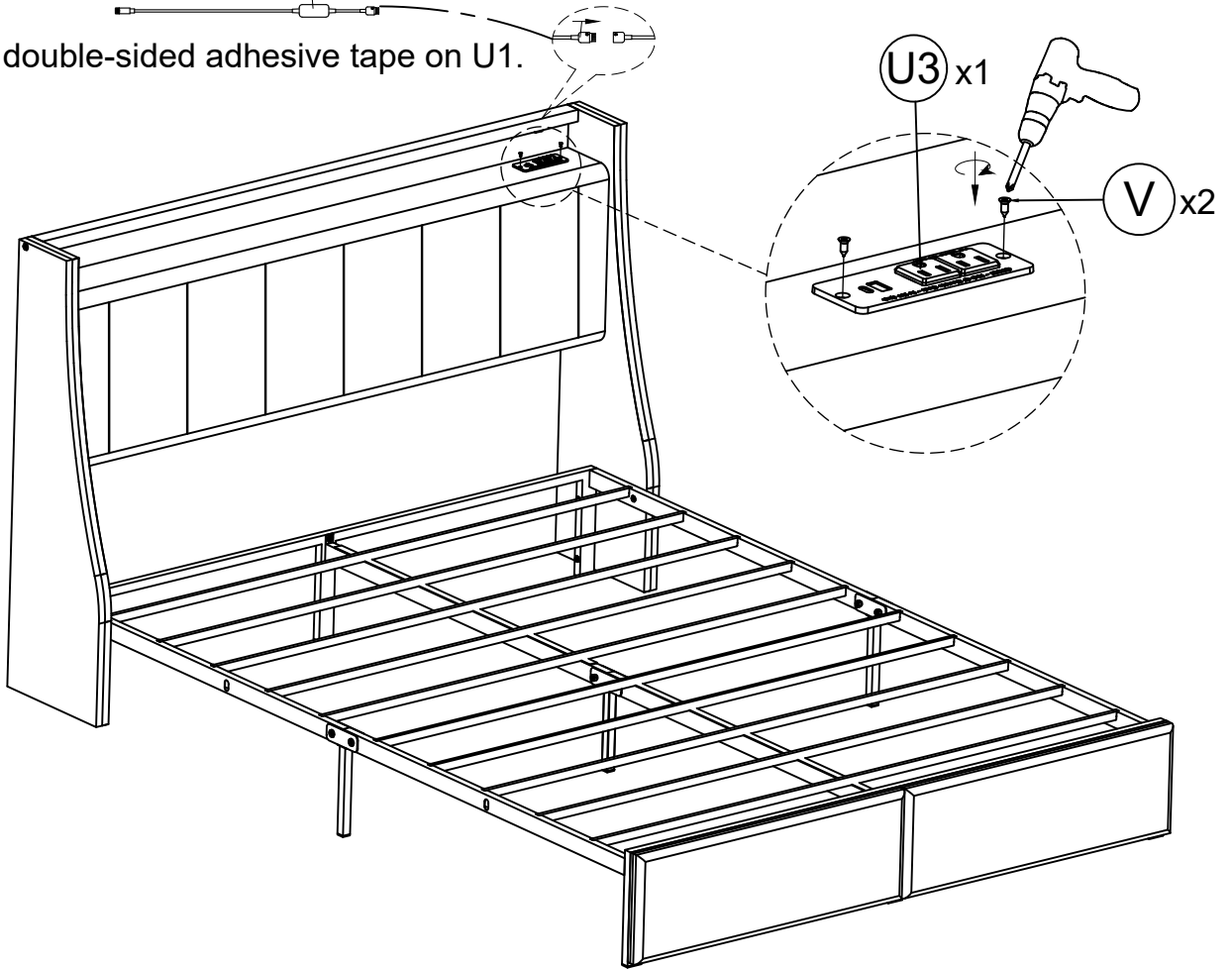


# Step 13

U1 x1

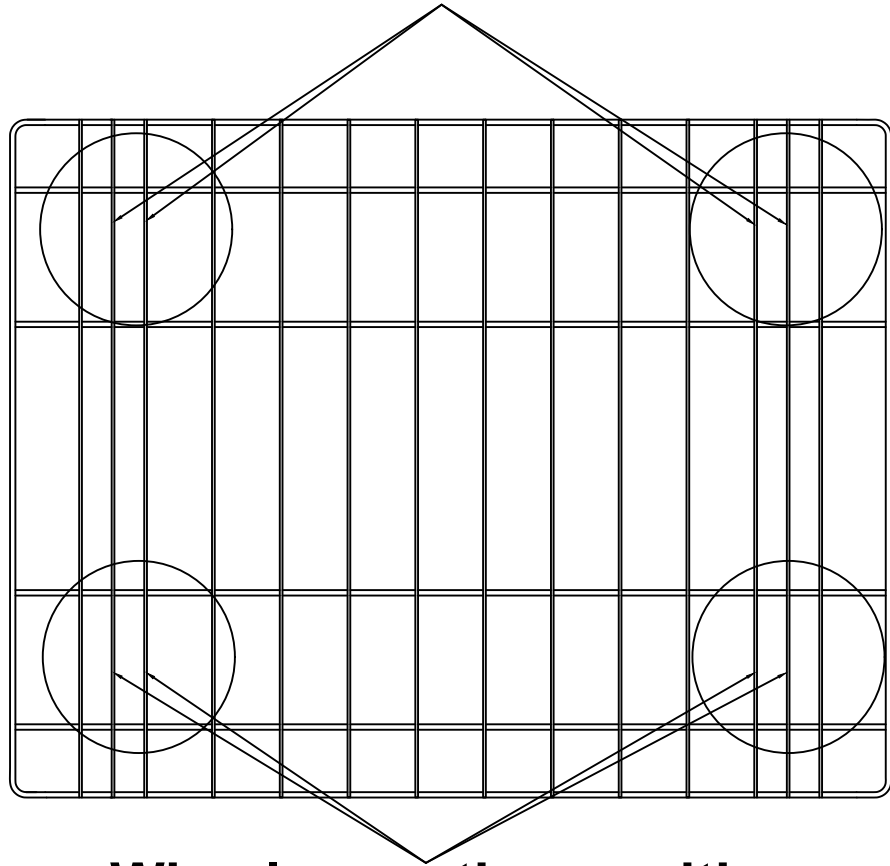
We suggest using drill machine to install "V" screws

Tear off the double-sided adhesive tape on U1.

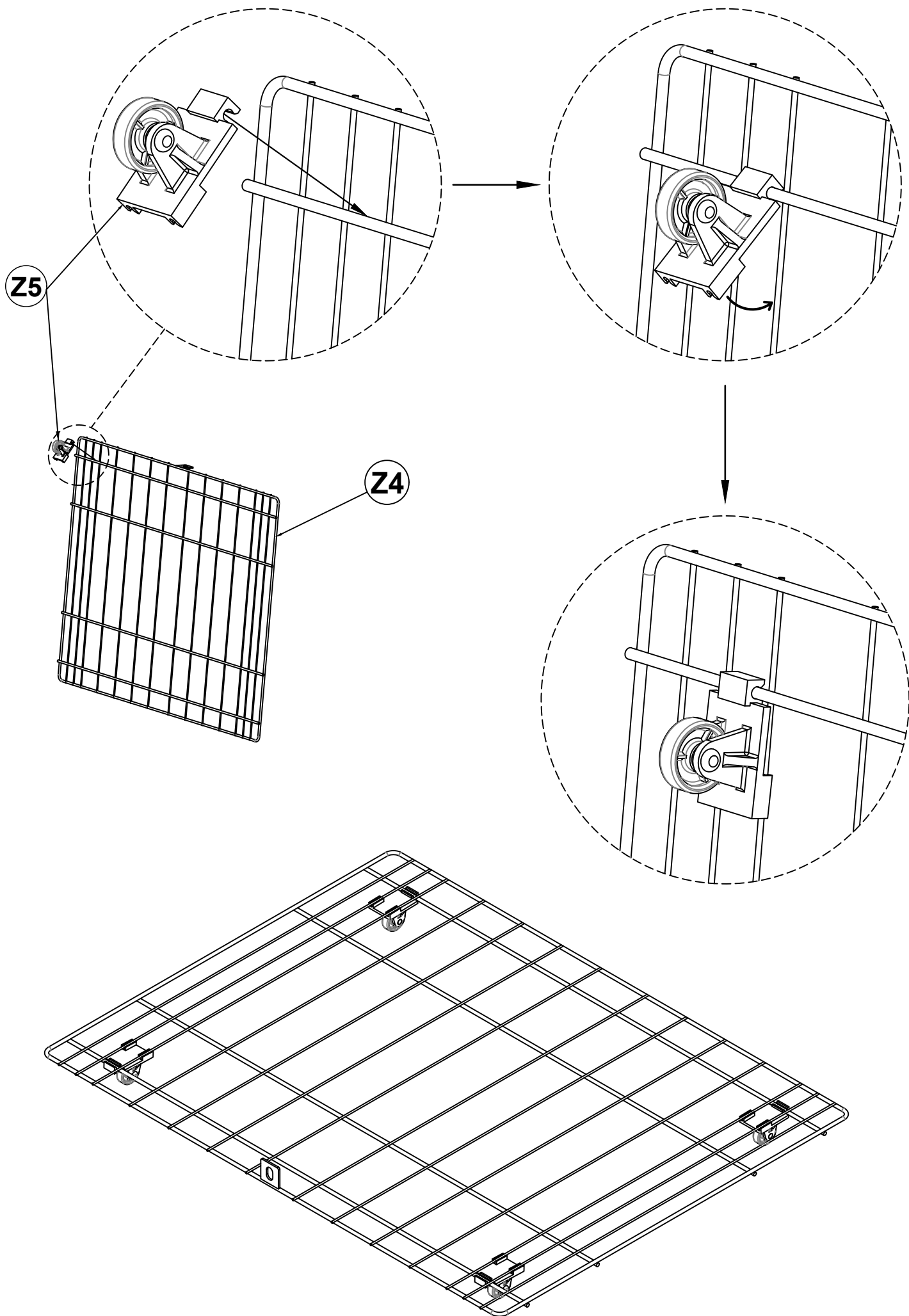


# Step 14

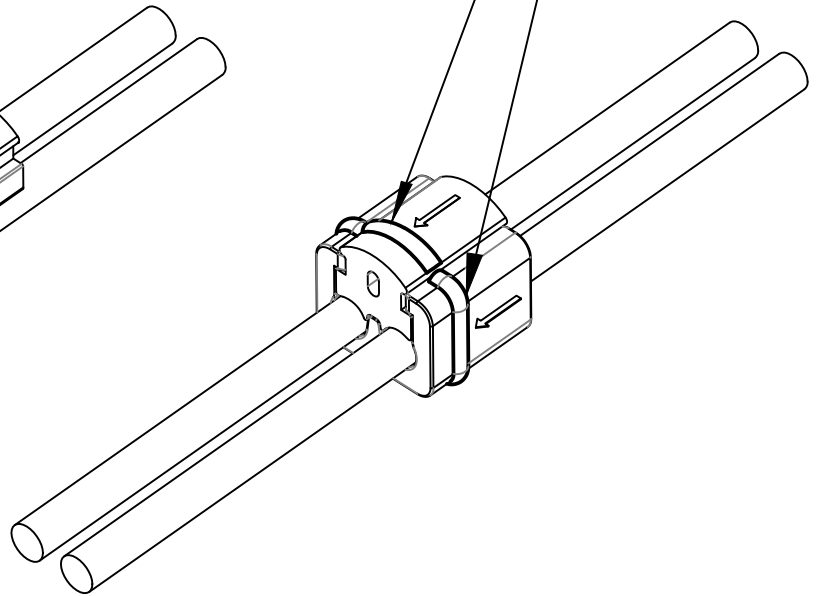
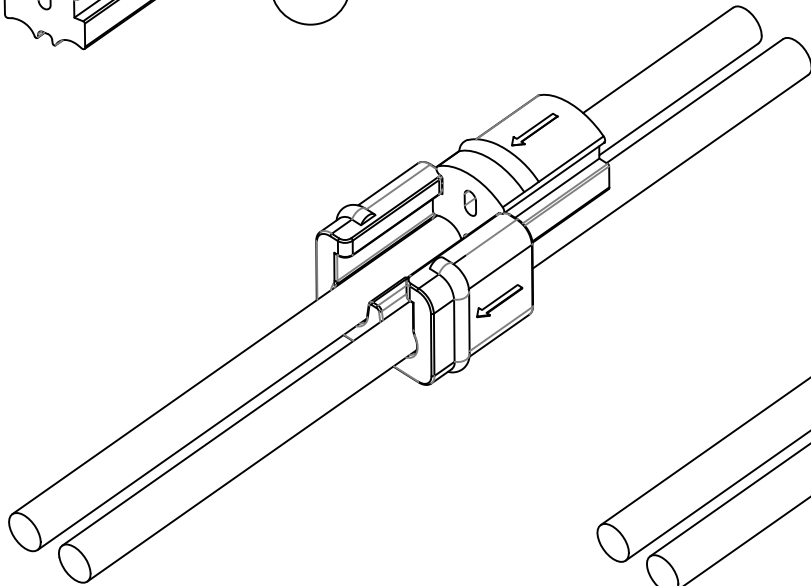
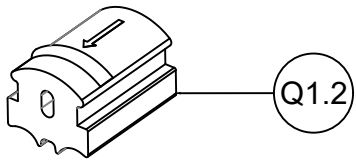
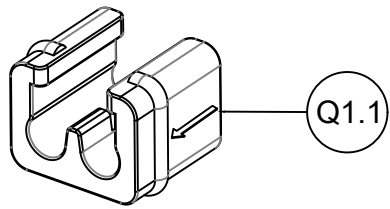
Wheel mounting position



Wheel mounting position

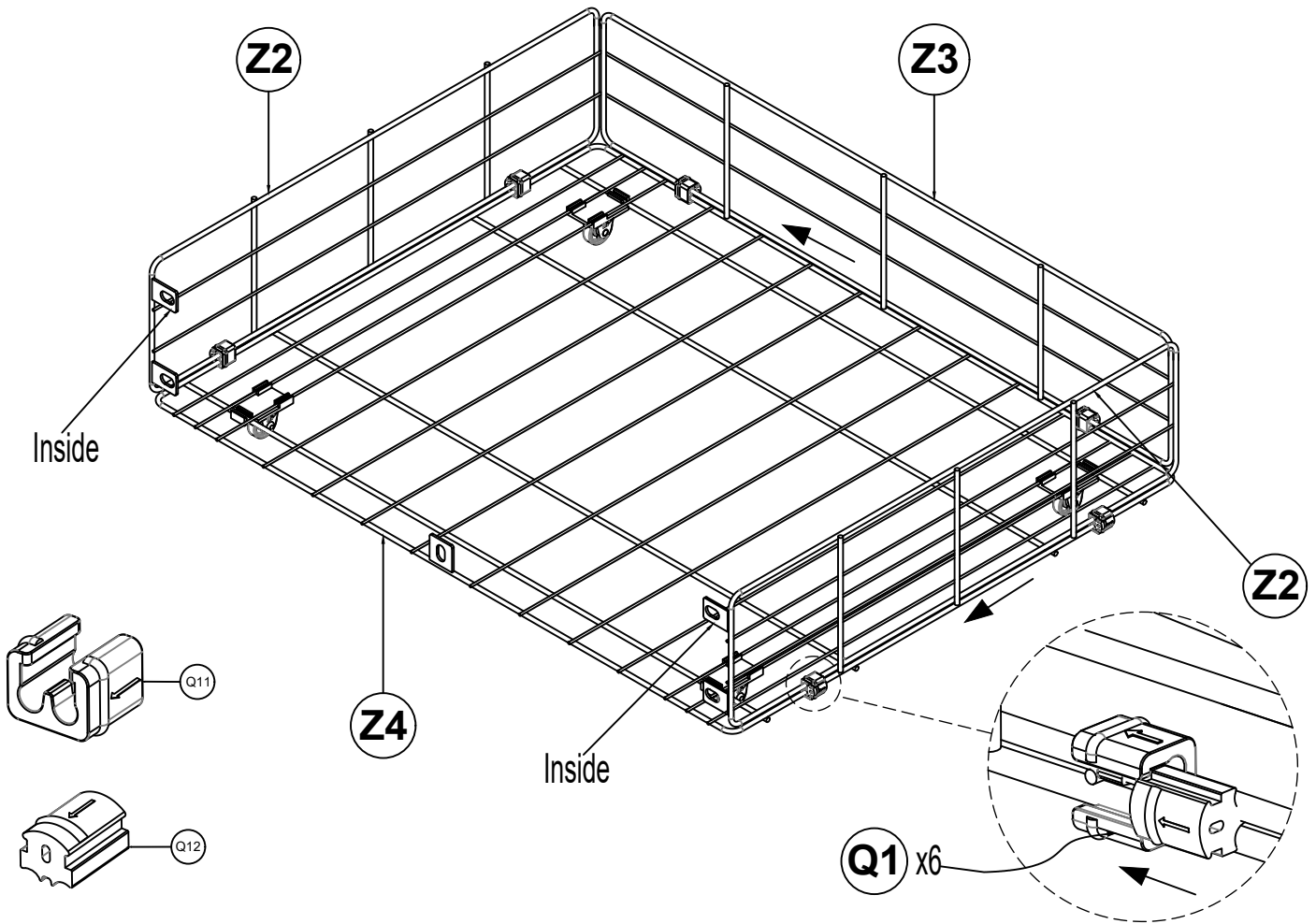


# Detailed assembly instructions Q1

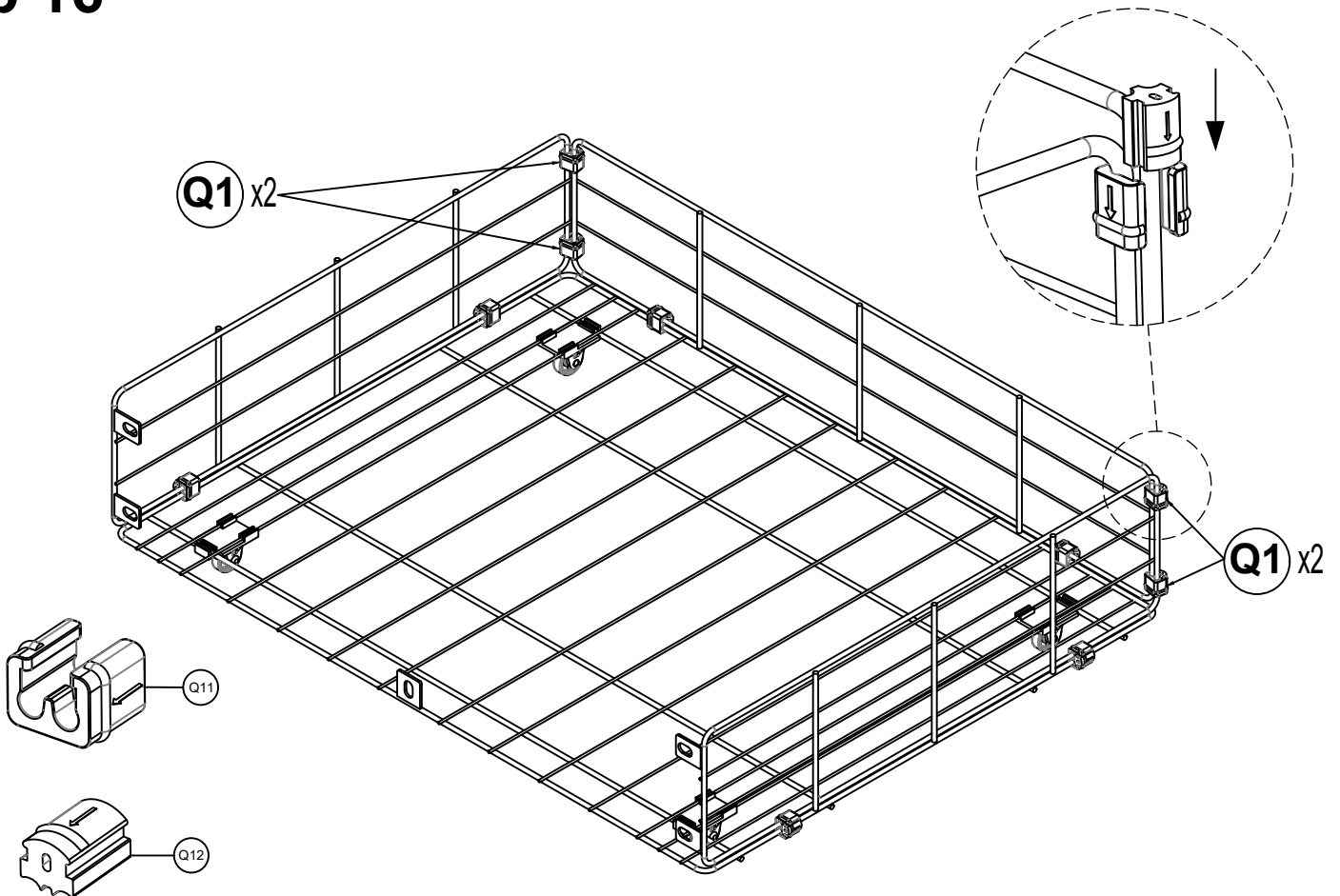


these two  
lines on Q1.1  
and Q1.2 need  
to be matched

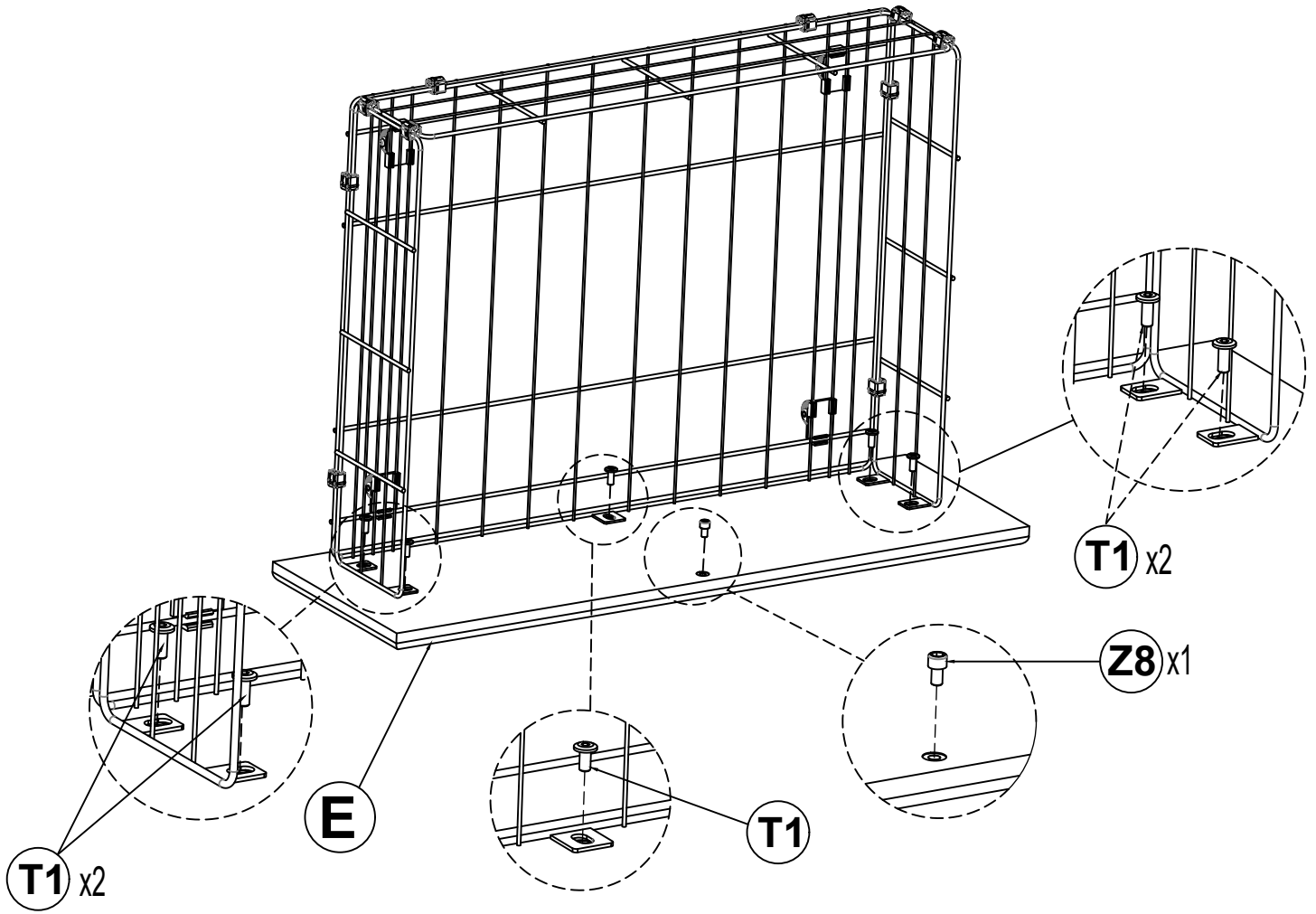
# Step 15



# Step 16

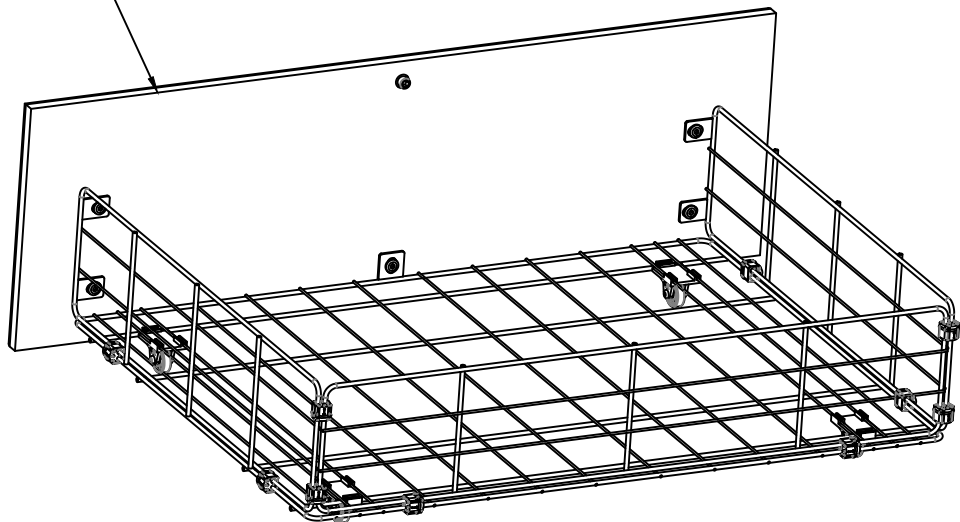


# Step 17

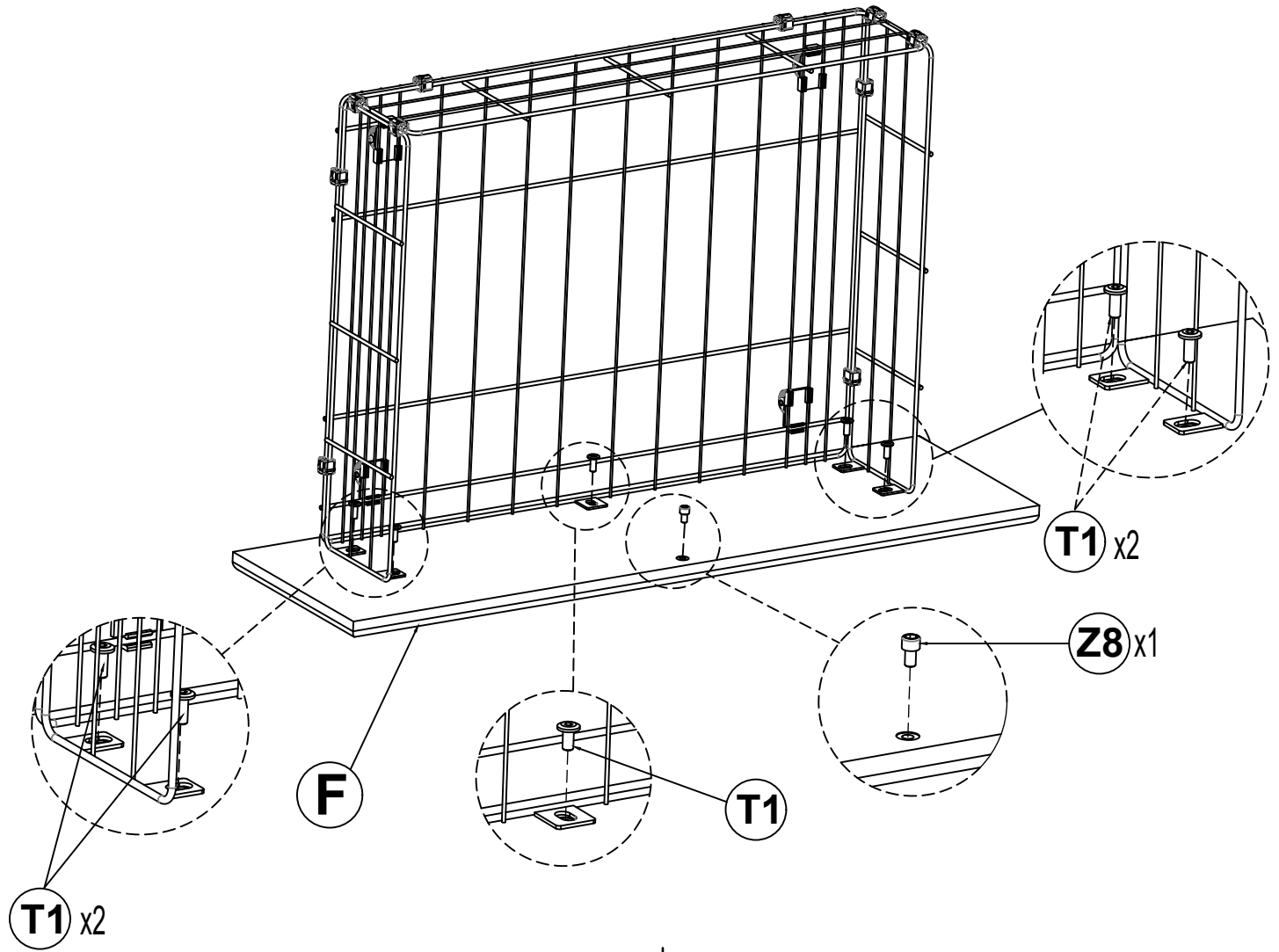


**2pcs**

**E**



# Step 18



**2pcs** **F**

