

# **INSTRUCTION MANUAL**

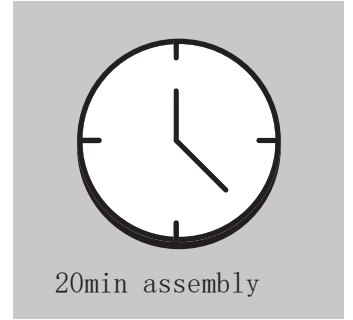
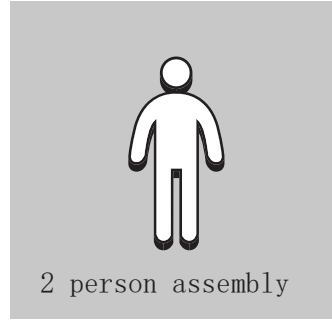
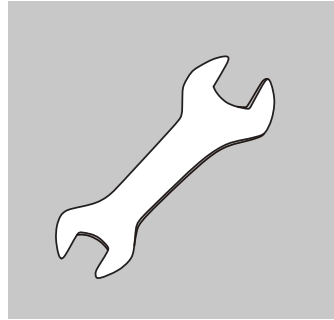
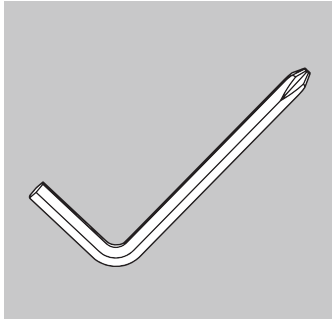
---

*STORAGE TOWER*

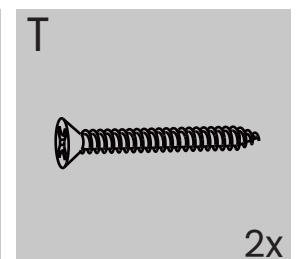
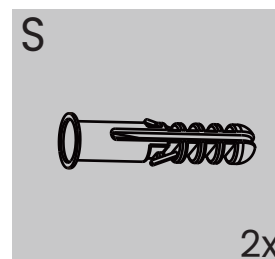
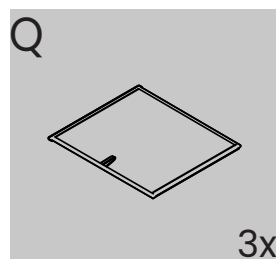
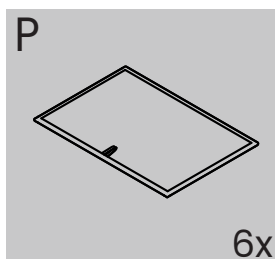
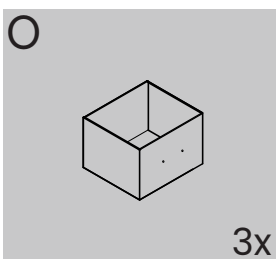
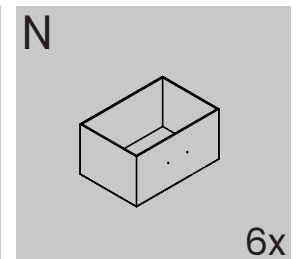
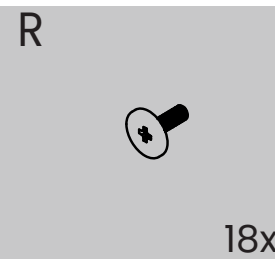
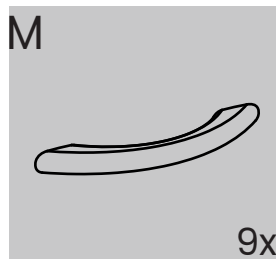
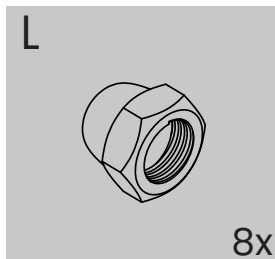
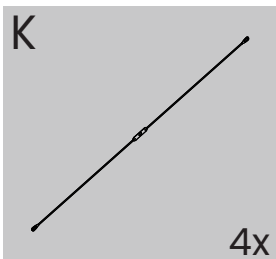
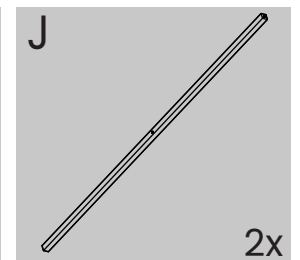
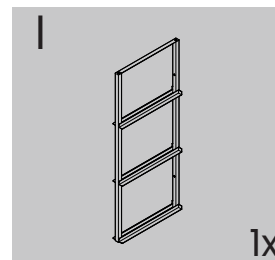
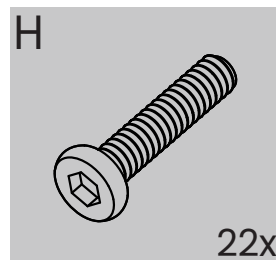
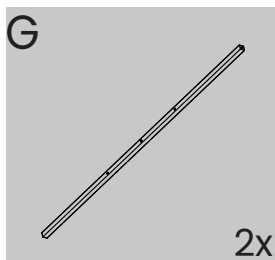
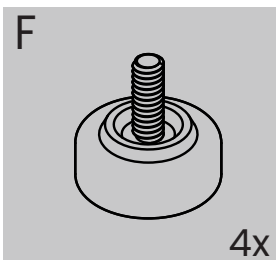
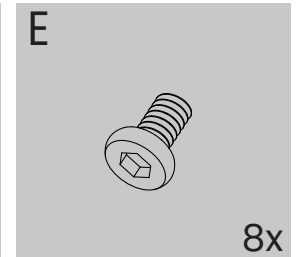
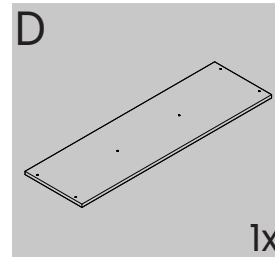
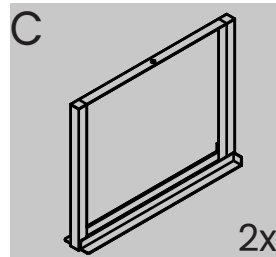
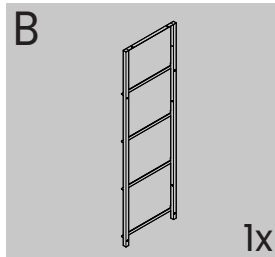
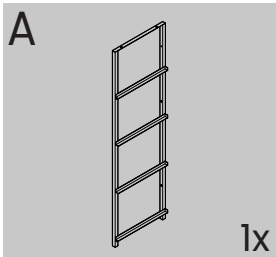
## BEFORE INSTALLATION

- Please list all parts as below first to check if any part is missing and make assembly easier.
- Do be careful that some parts are heavy and sharp.
- Please follow the assembly steps to install the product, if you find spare parts left, don't be worried, the left spare parts are prepared for bad ones if occurred.
- Once you hand tighten all of your bolts into place, we are going to use our wrench to fully tighten into place.
- Please do not exceed the bearing limitations of the product.
- Reconfirm that all bolts, screws, and knobs are secure every 90 days.
- Please retain these instructions for future reference.

## TOOLS REQUIRED



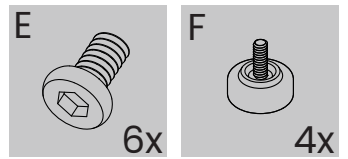
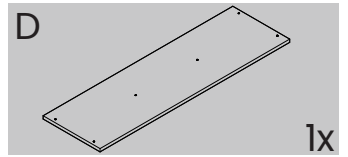
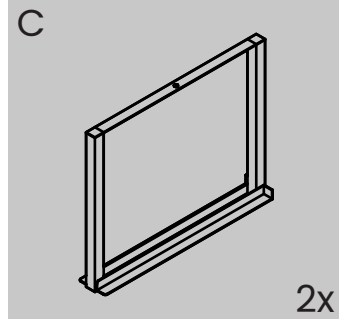
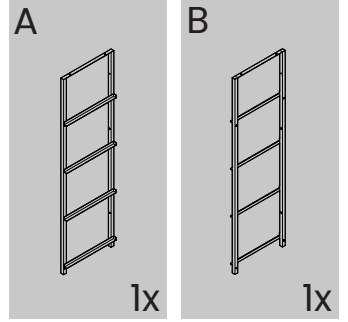
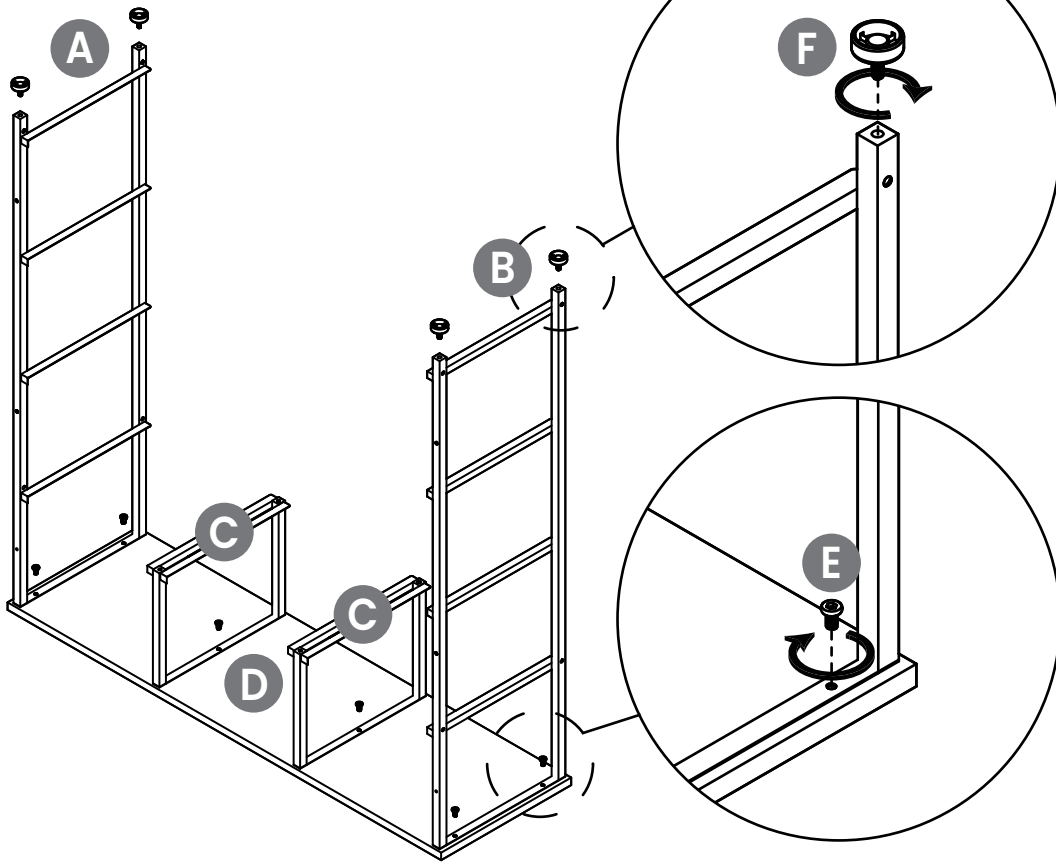
## PARTS



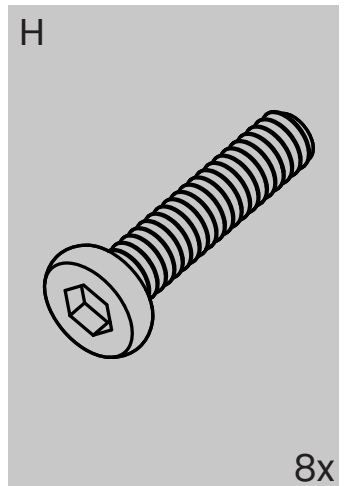
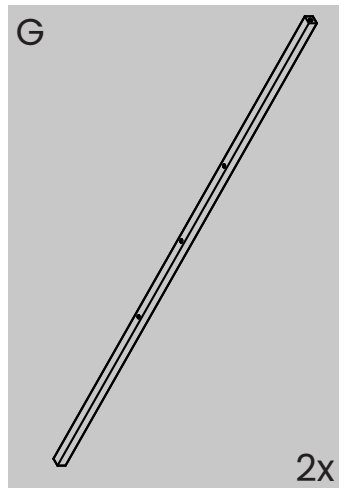
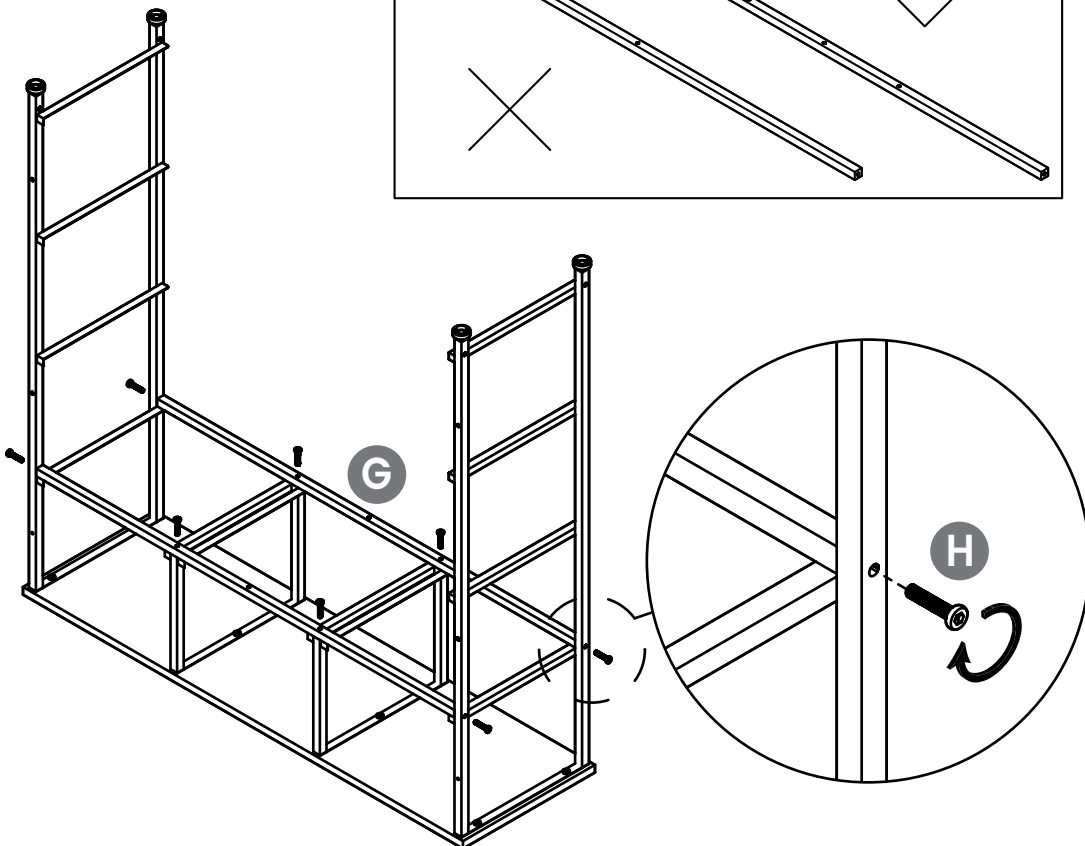
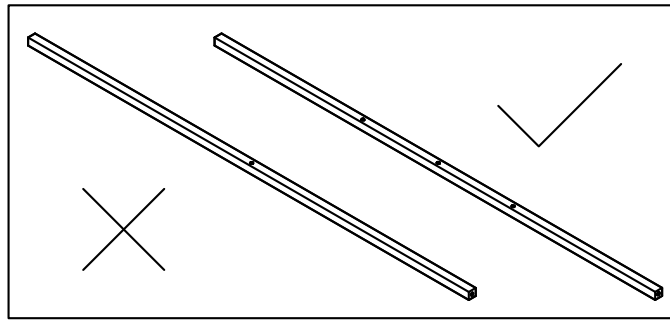
# ASSEMBLY

# PARTS REQUIRED

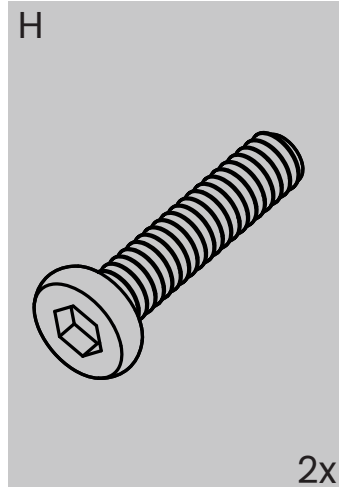
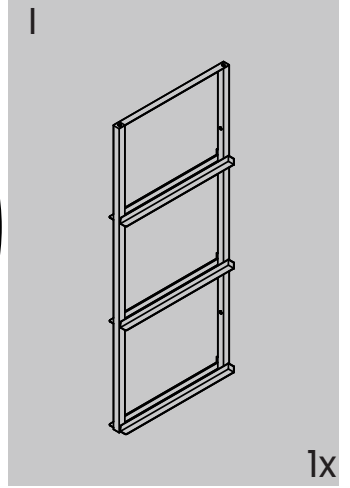
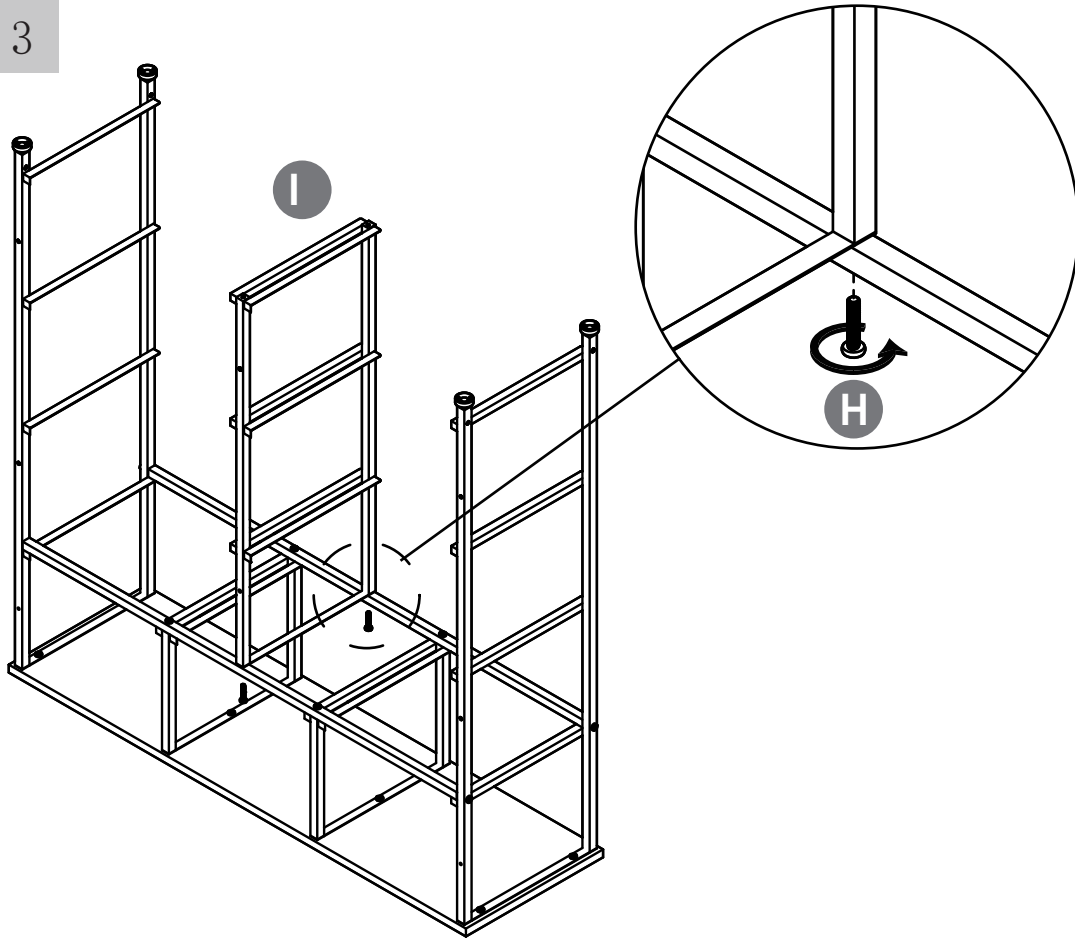
1 If the metal frame is installed in the wrong direction, you may need to remove it and start over.



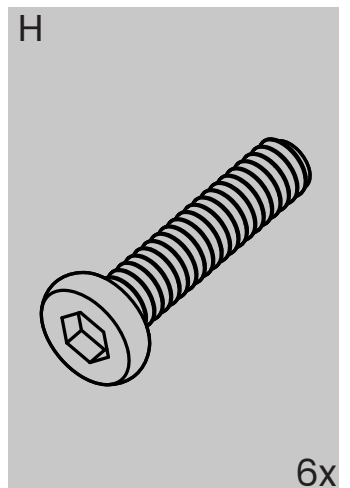
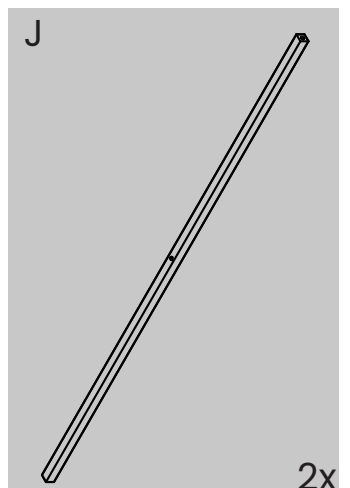
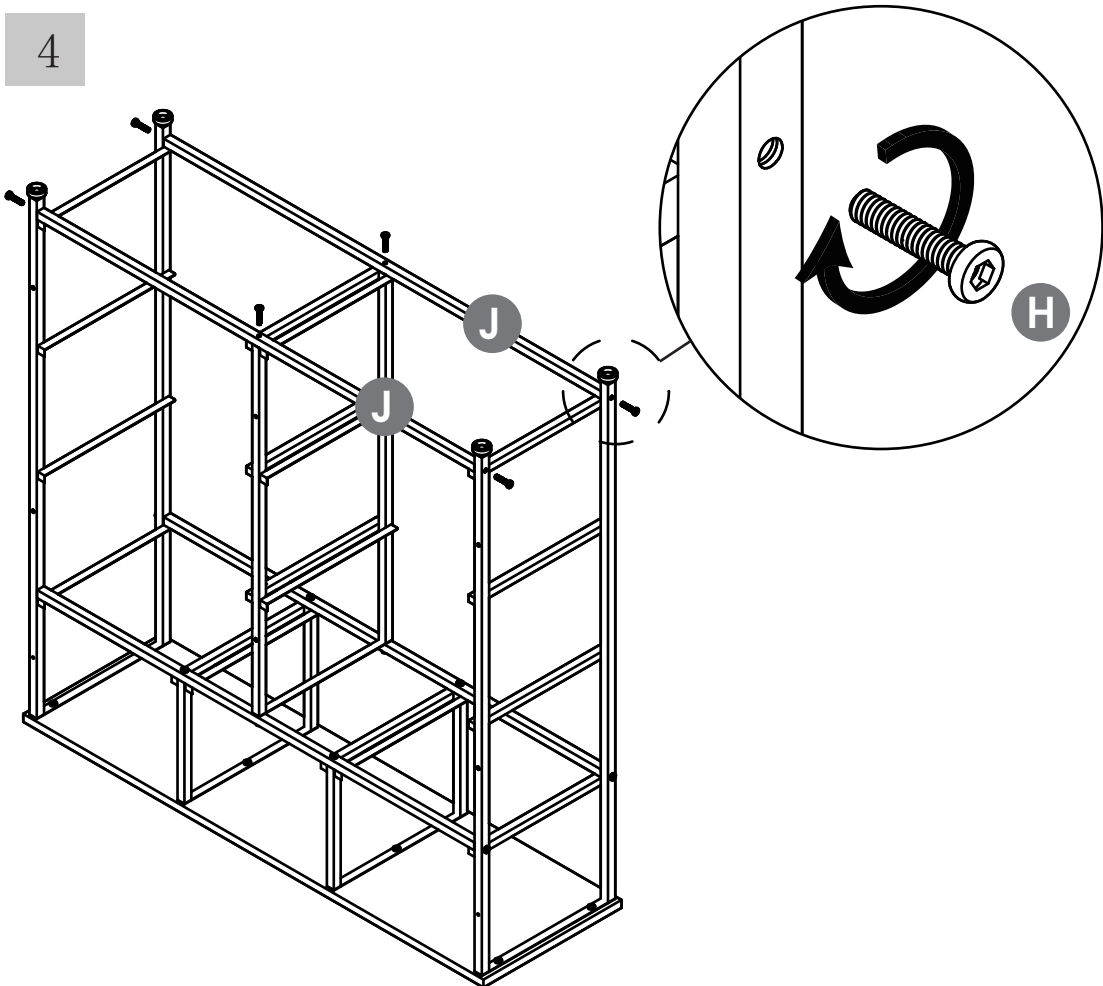
2



3



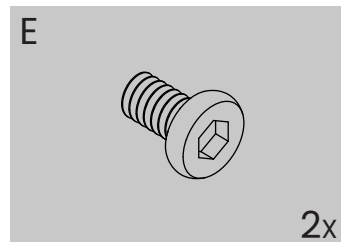
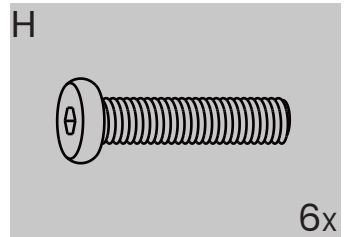
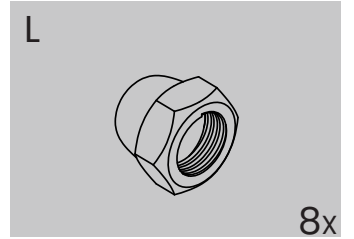
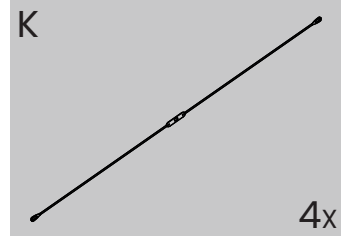
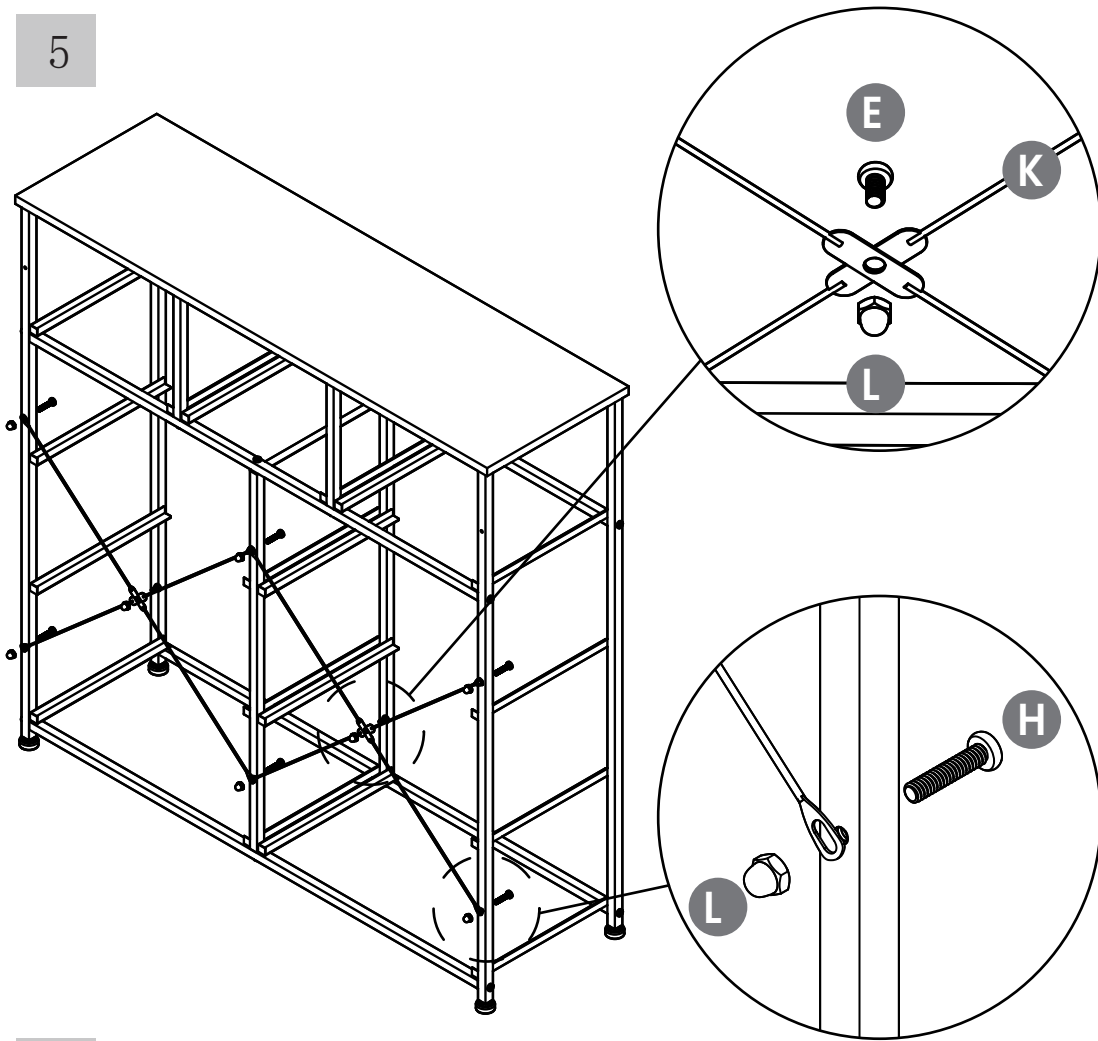
4



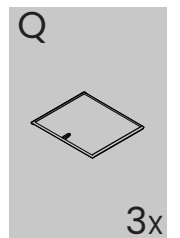
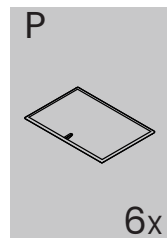
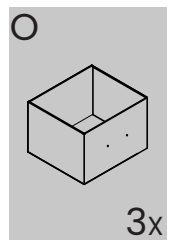
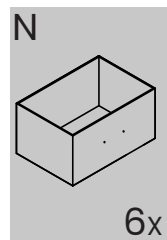
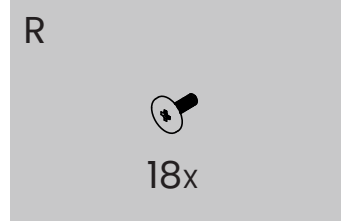
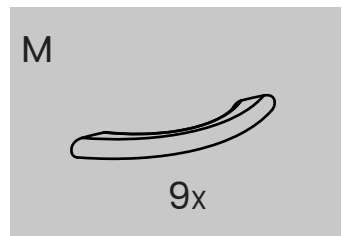
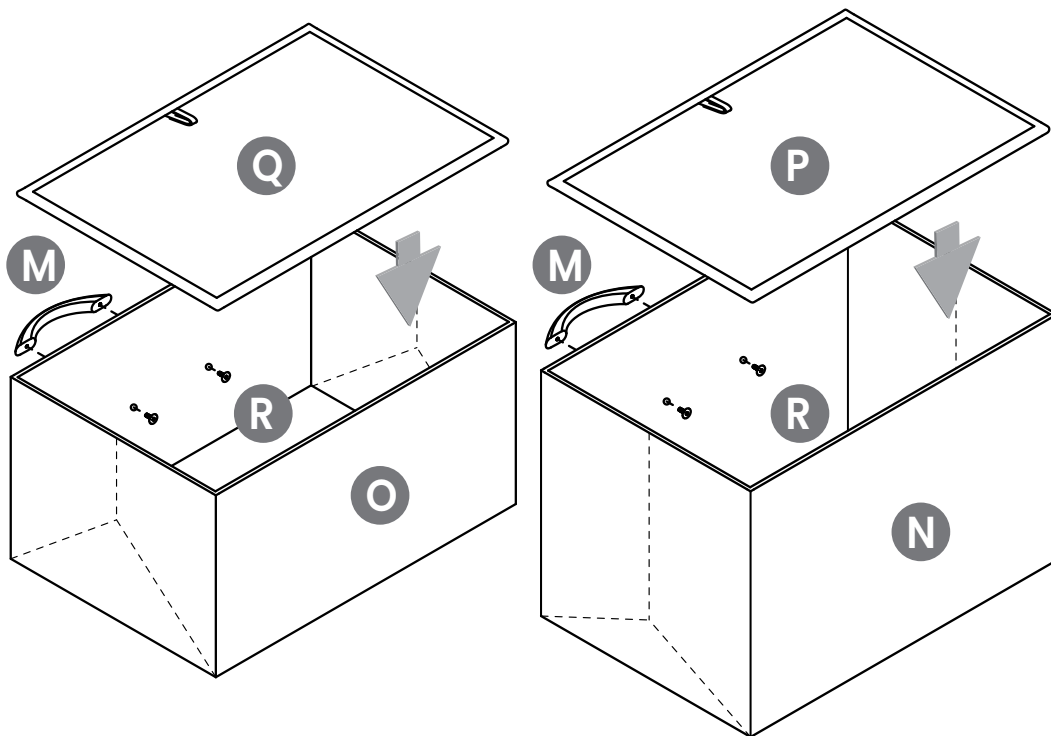
# ASSEMBLY

# PARTS REQUIRED

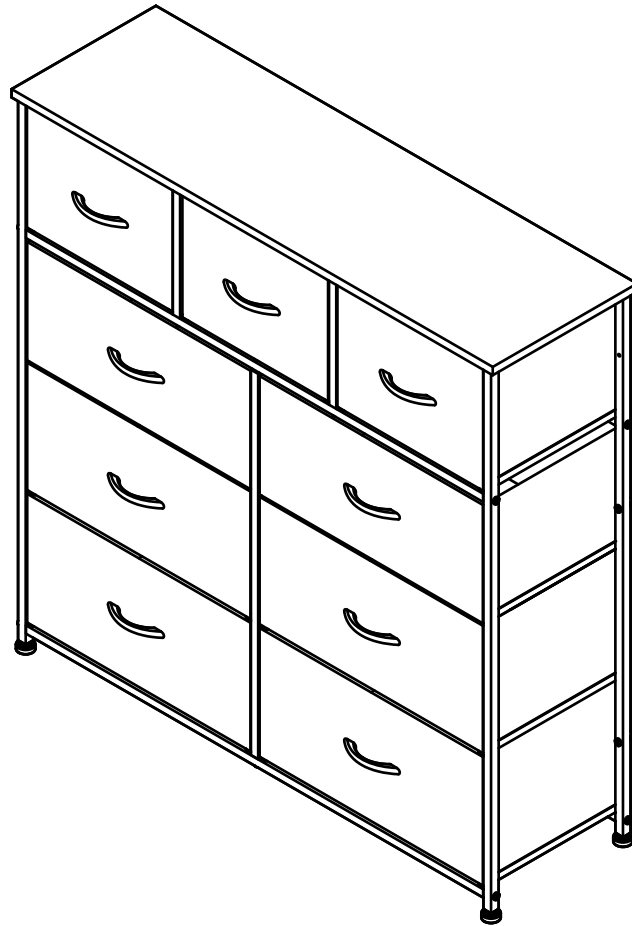
5



6



7



8

