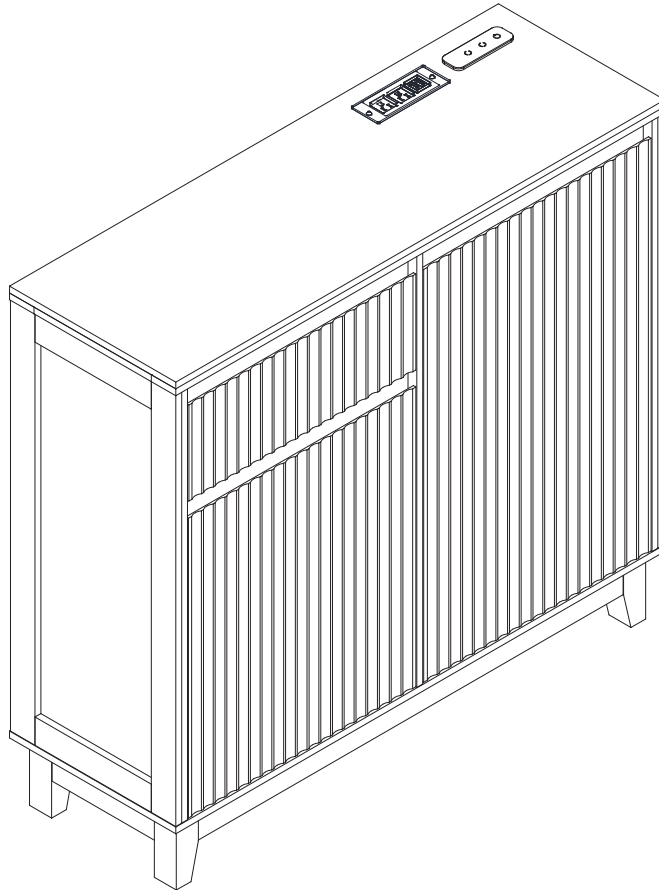

FP003



As this item contains many parts, please read the installation instruction carefully before installation.

Please use tools properly and carefully.

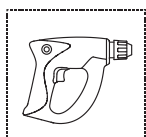
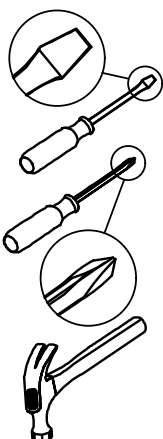
If you have any questions about the product and installation, please contact us.

business@energyfic.com

Our professional after-sales team will serve you online.

READ BEFORE ASSEMBLY!

- 1 Open the item in the area you plan to keep it to avoid excessive heavy lifting..
- 2 Prepare a tidy and enough space for the assembly process.
- 3 Read and follow each step of the instruction carefully.
- 4 Prepare proper installation tools:
①Flat head screwdriver②Phillips head screwdriver③Hammer;
- 5 Strongly recommend using manual tools for assembly. If you still wish to use power tools to speed up the process, please be aware of to slow down the operating speed of the electric tool and be sure to stop the tool immediately once the screw is tightened.
- 6 Before attempting assembly, please sort and identify the components in side and count to verify parts quantities. A furniture board identification checklist is provided on inner page for your reference. Please read it carefully.
- 7 For safety and efficient assembly, it is recommended that 2 people work together for assembly.
- 8 It is recommended that place a carpet/useless sheet/waste cardboard under the item during assembly to protect item.



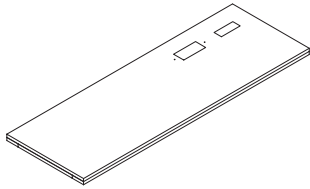
HELPFUL HINTS

- 1 Compression dowels are need to lightly tapped in with a hammer.
- 2 Drawer slides are labeled with an R(Right) and L(Left) for proper placement. Please aware to distinguish.
- 3 Make sure to always face the point on the top of the CAM lock towards the outer edge.
- 4 If there is a back panel in the package, please install it to make sure your unit is complete and sturdy.
- 5 Please fix all the screws provided for the back panel which can enhance product stability. If it is difficult to fix it when tightening, it can be fixed with the help of a hammer and then tightened.
- 6 Never push pull or drag your furniture.

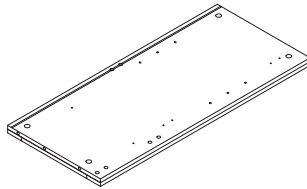


Board Identification

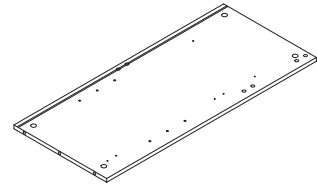
Not actual size



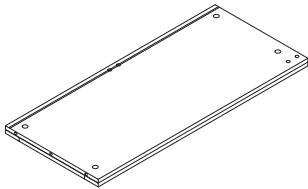
① x1
DESK TOP



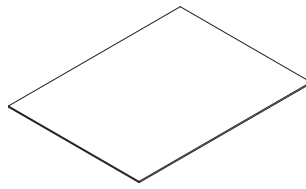
② x1
LEFT CABINET PANEL



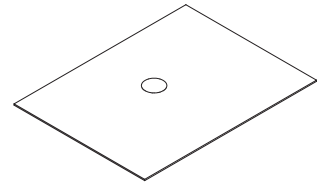
③ x1
MIDDLE VERTICAL PANEL



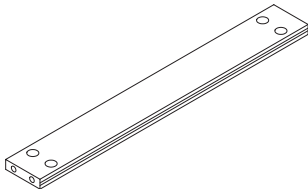
④ x1
RIGHT CABINET PANEL



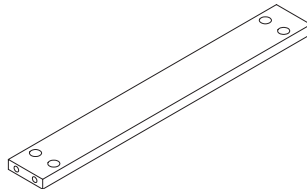
⑤ x3
REAR PANEL



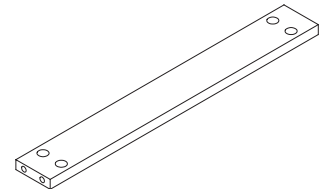
⑥ x1
REAR PANEL



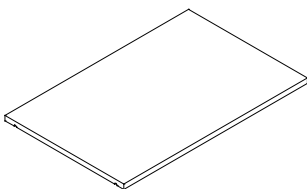
⑦ x2
REAR STRETCHER



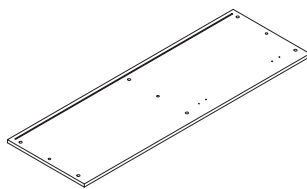
⑧ x2
FRONT SUPPORT STRIP



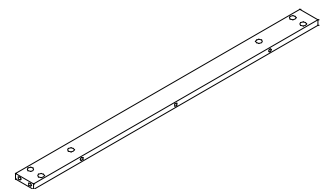
⑨ x1
FRONT SUPPORT STRIP



⑩ x1
REAR STRETCHER



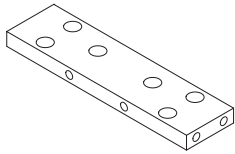
⑪ x1
ADJUSTABLE SHELF



⑫ x2
WOODEN LOWER FRONT REAR APRON

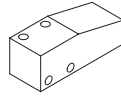
Board Identification

Not actual size



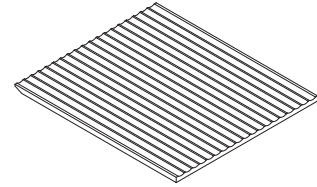
⑬ x1

LOWER LEFT RIGHT APRON



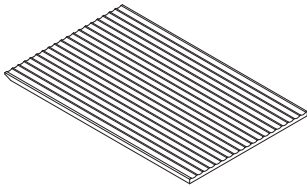
⑭ x4

WOODEN LEG



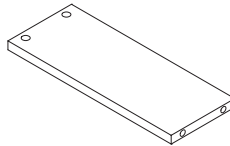
⑮ x1

FRONT PANEL



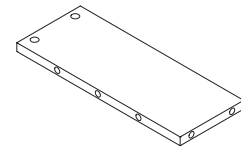
⑯ x1

FRONT PANEL



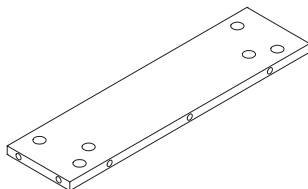
⑰ x1

LEFT BAFFLE



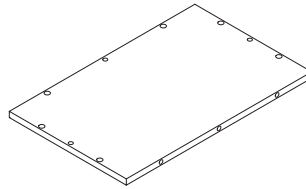
⑱ x1

RIGHT BAFFLE



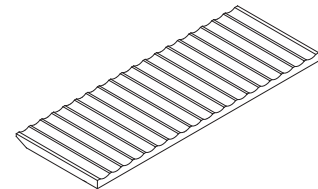
⑲ x1

REAR BAFFLE



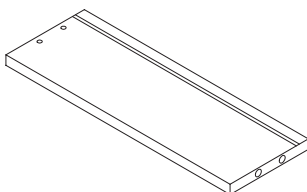
⑳ x1

WOODEN BOTTOM SUPPORT PLATE



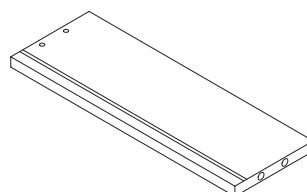
㉑ x1

DRAWER PANEL



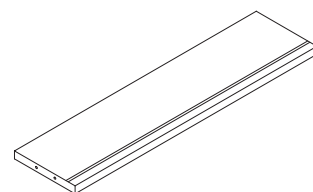
㉒ x1

LEFT DRAWER SIDE



㉓ x1

RIGHT DRAWER SIDE

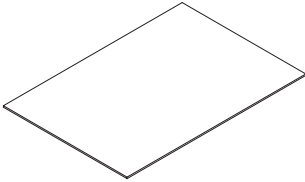


㉔ x1

BACK DRAWER BLOCK

Board Identification

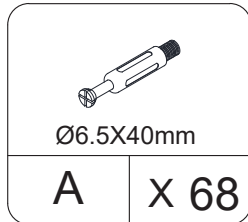
Not actual size



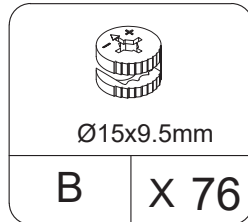
②5x1

DRAWER BOTTOM

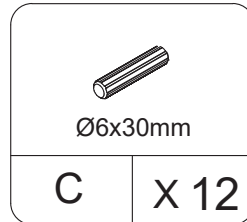
Part List



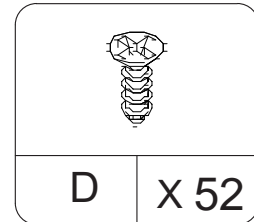
CAM BOLT
spare:1



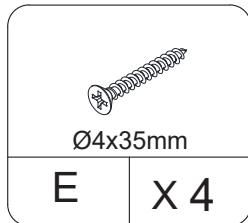
CAM LOCK
spare:1



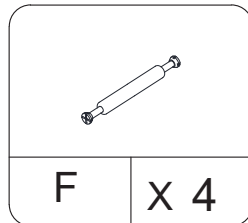
WOOD DOWEL
spare:1



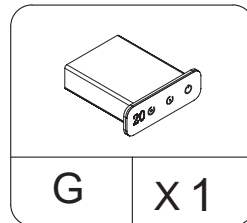
SCREW
spare:1



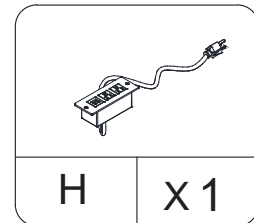
SCREW



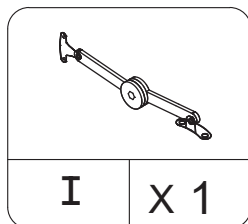
SCREW



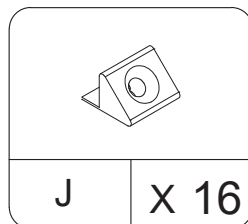
X 1



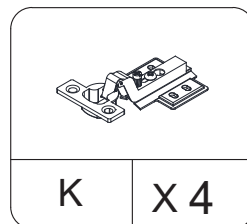
X 1



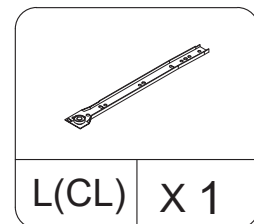
X 1



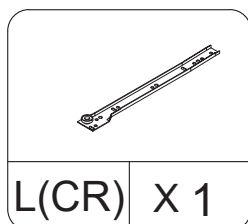
X 16



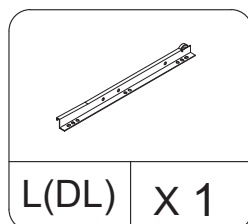
X 4



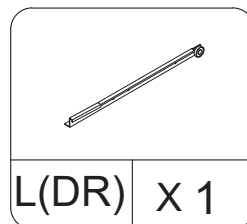
X 1



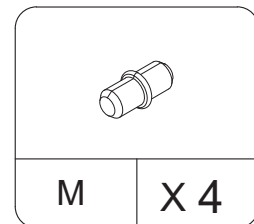
X 1



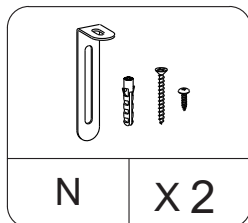
X 1



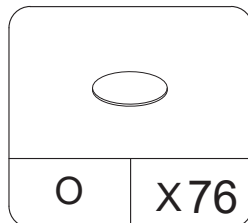
X 1



X 4

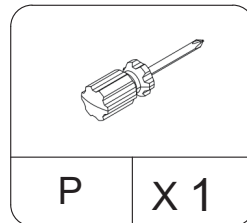


X 2

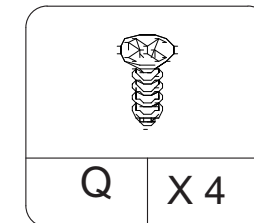


X 76

spare:1



X 1



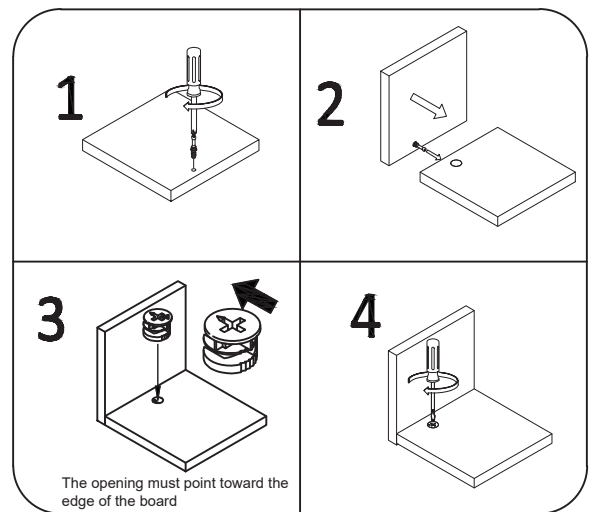
X 4

SCREW
spare:2

Part List

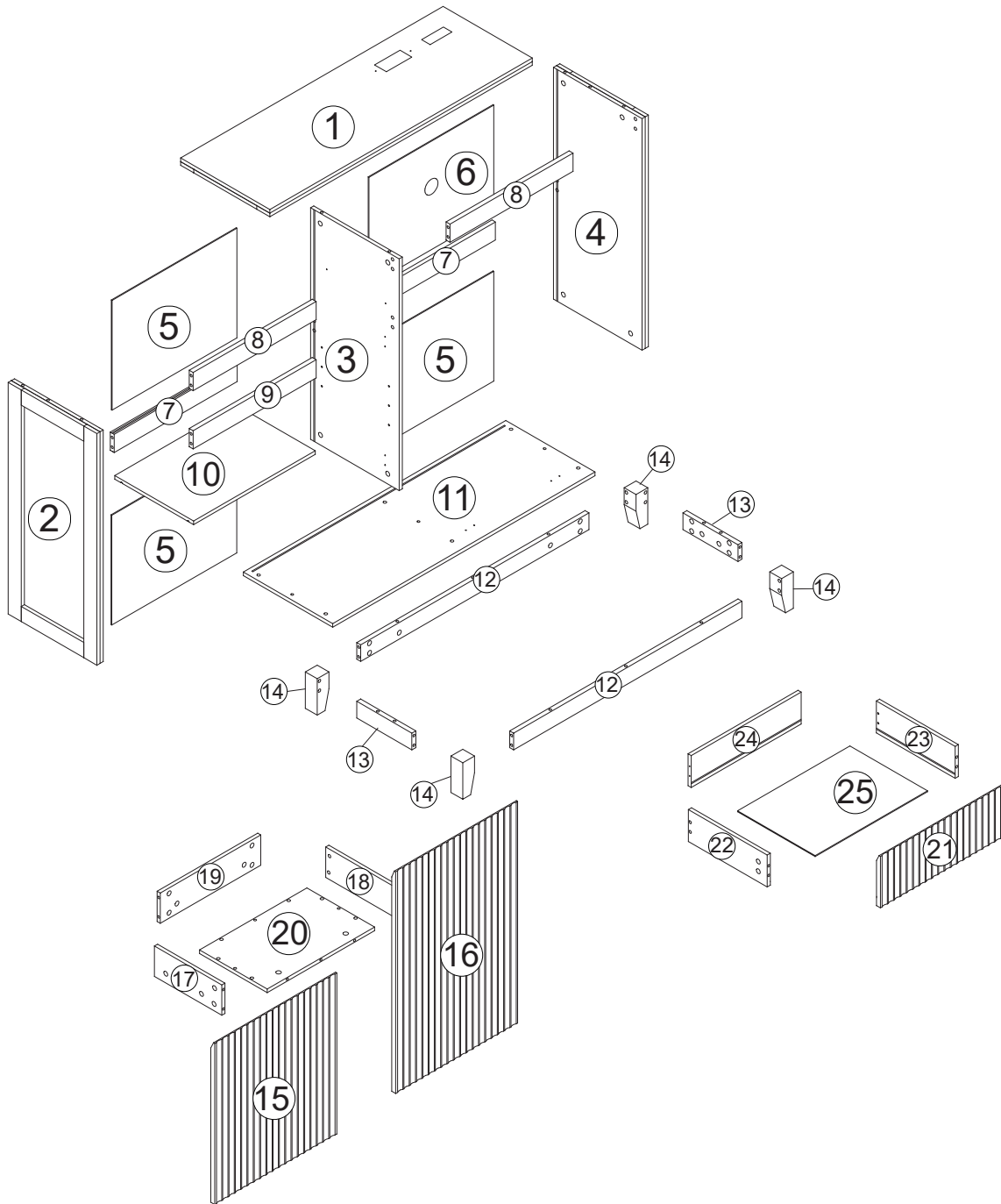
Cam Lock Fastening System

Insert the cam bolt into the hole first, then insert the cam lock and lock it.

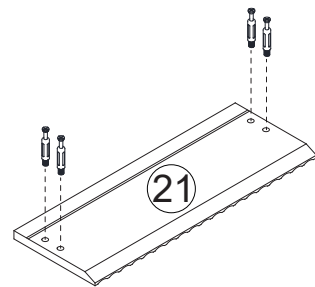
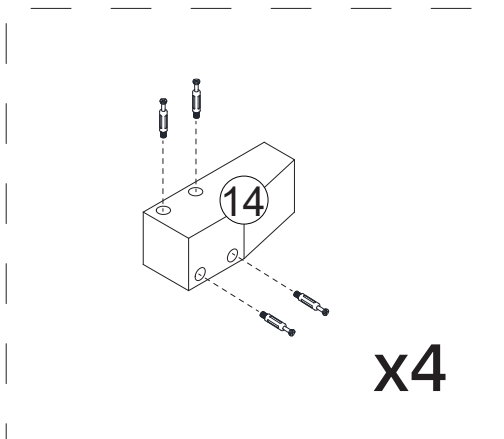
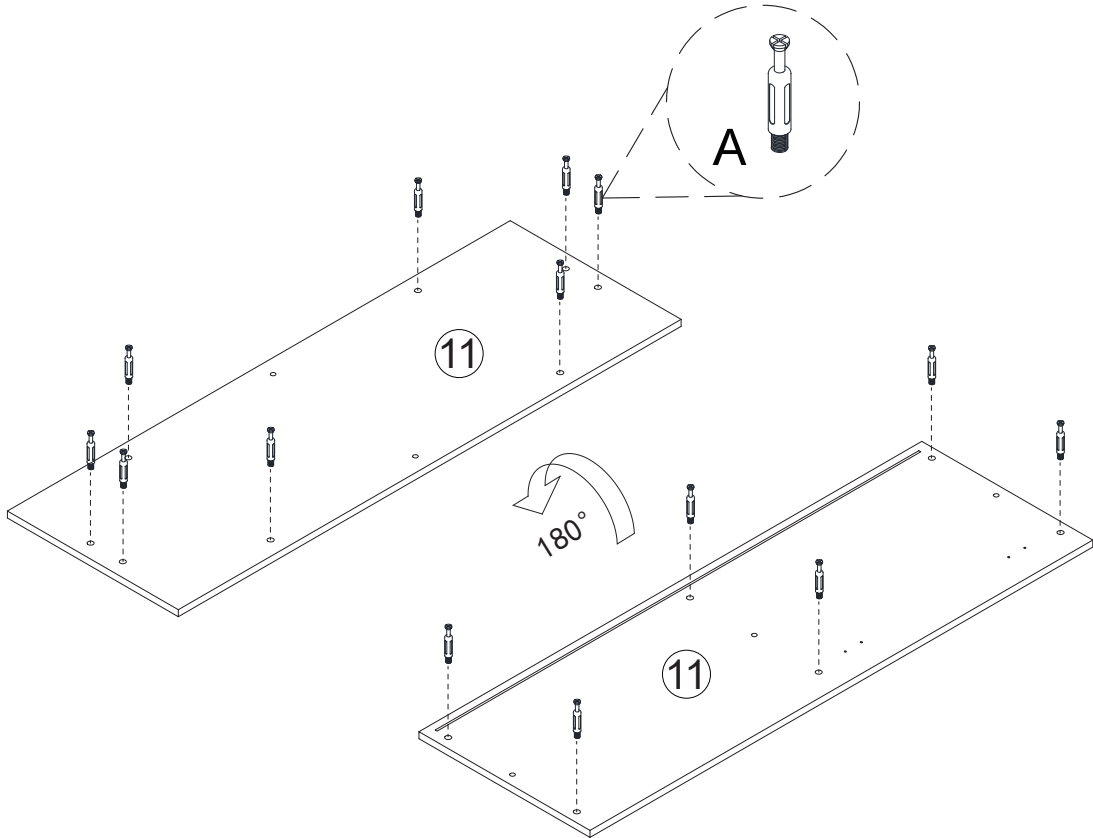
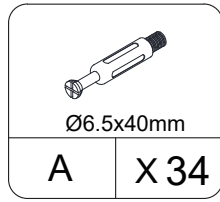
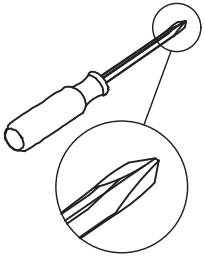


Board Identification

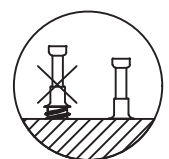
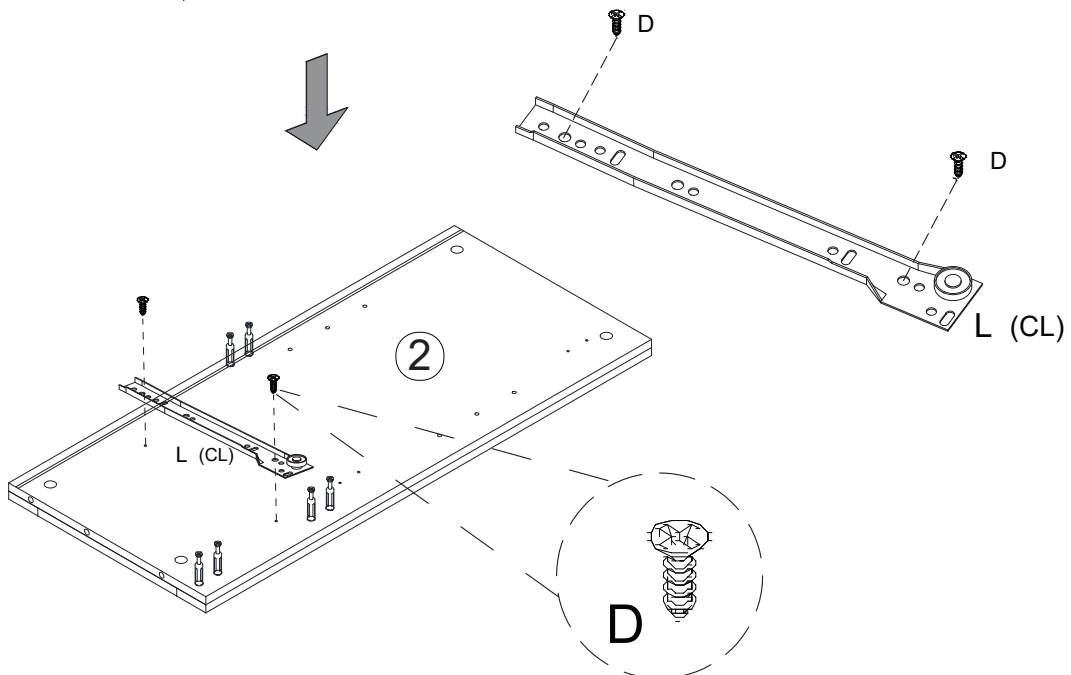
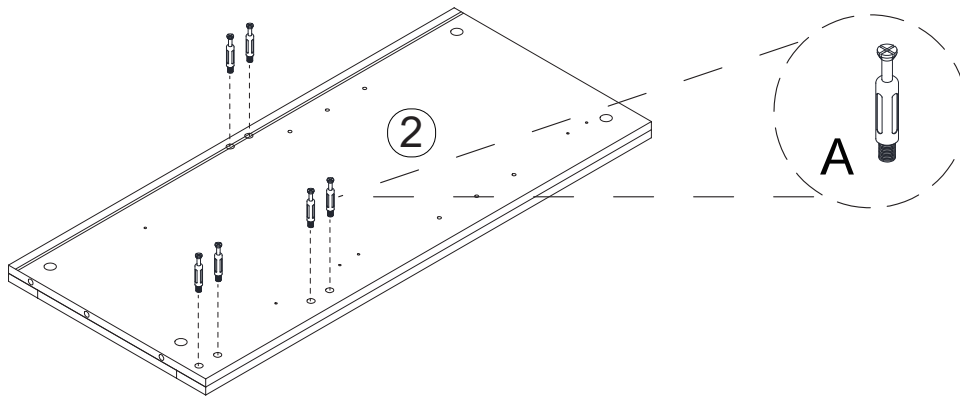
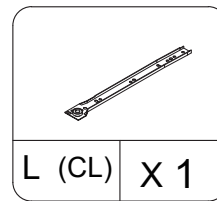
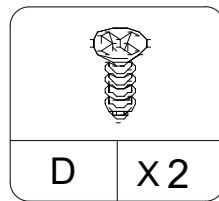
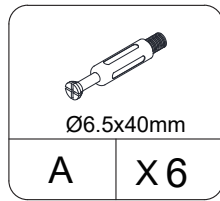
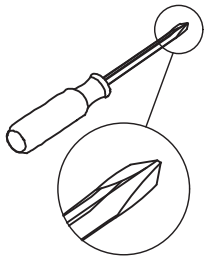
Not actual size



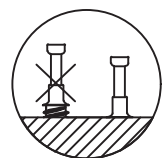
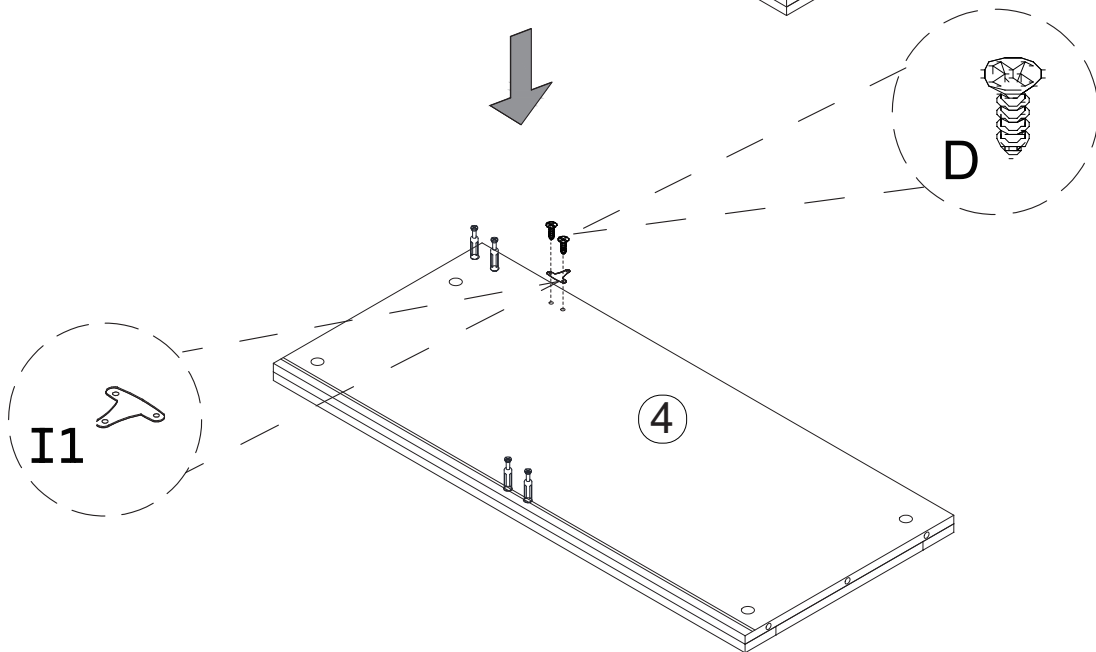
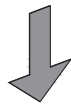
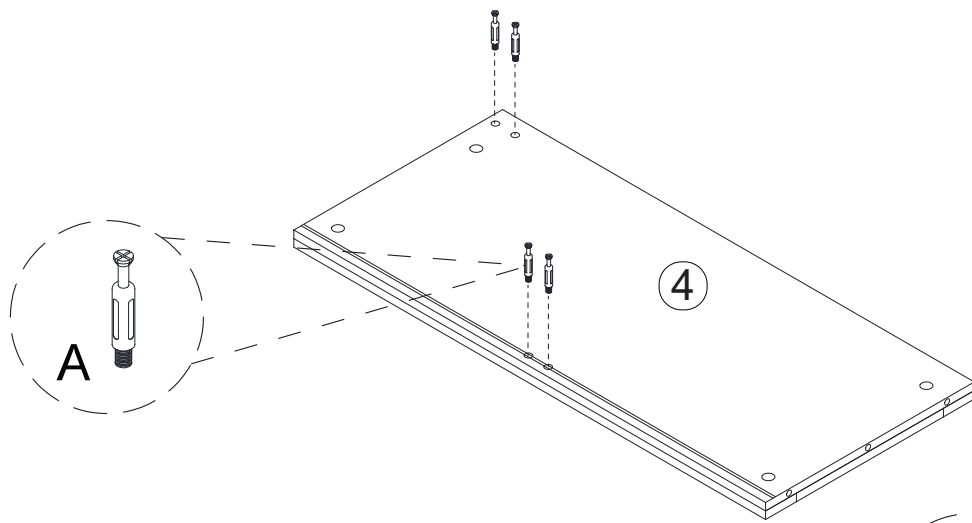
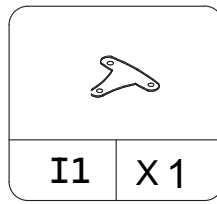
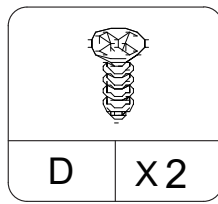
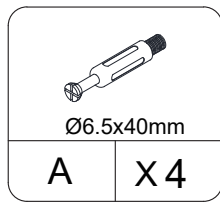
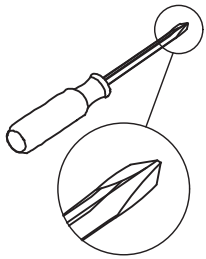
STEP 1



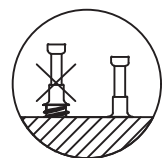
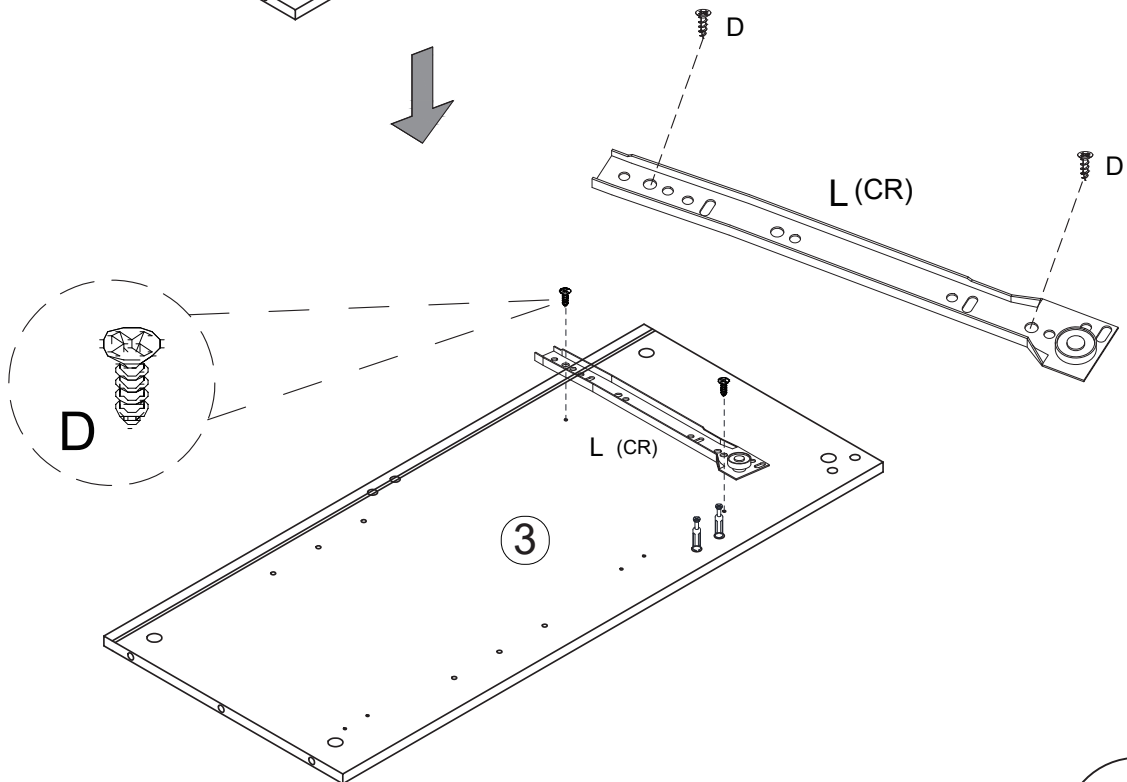
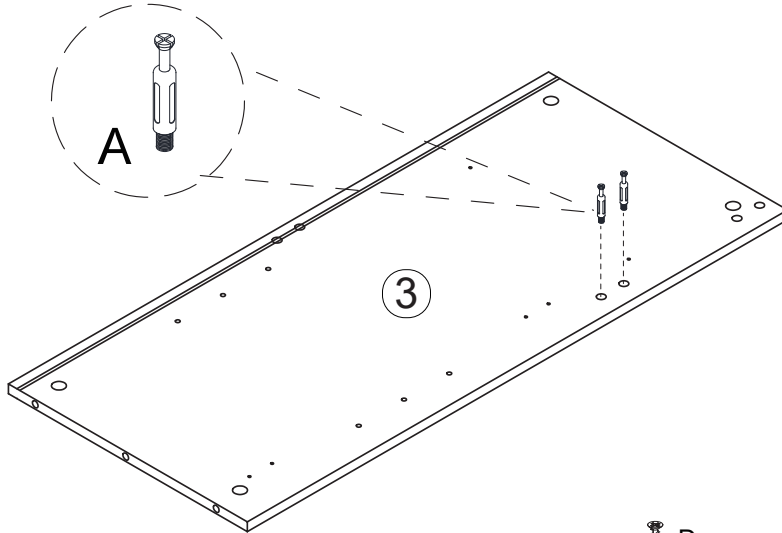
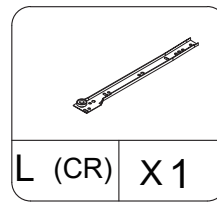
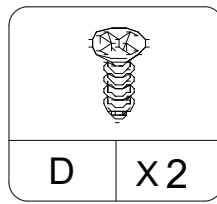
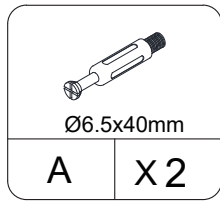
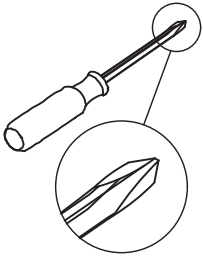
STEP 2



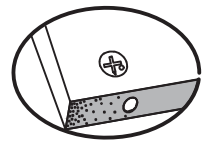
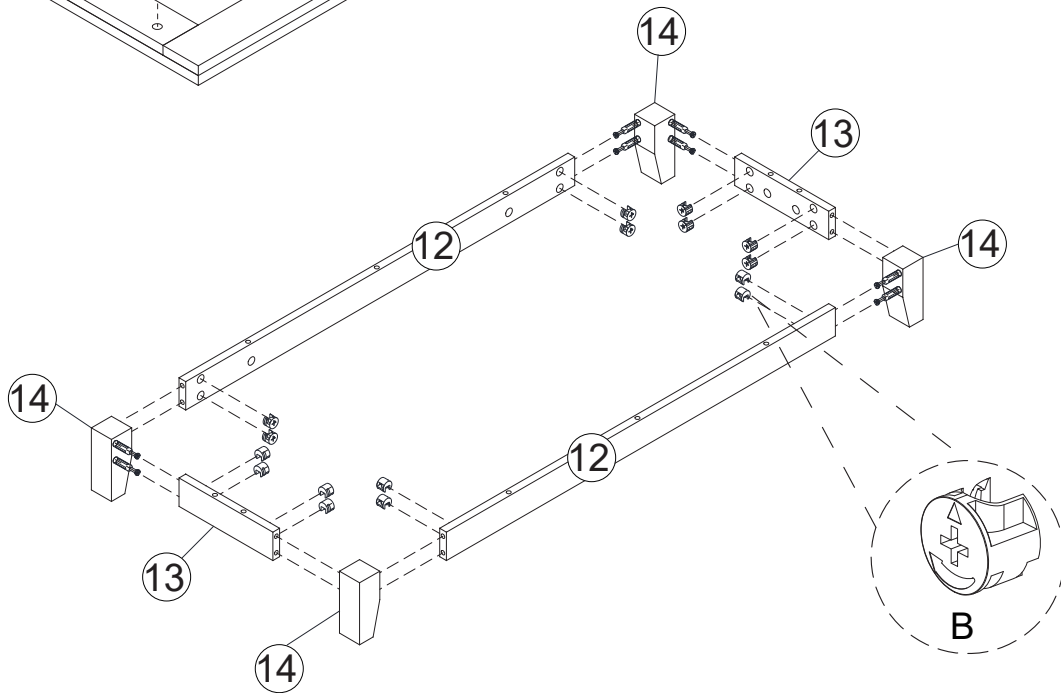
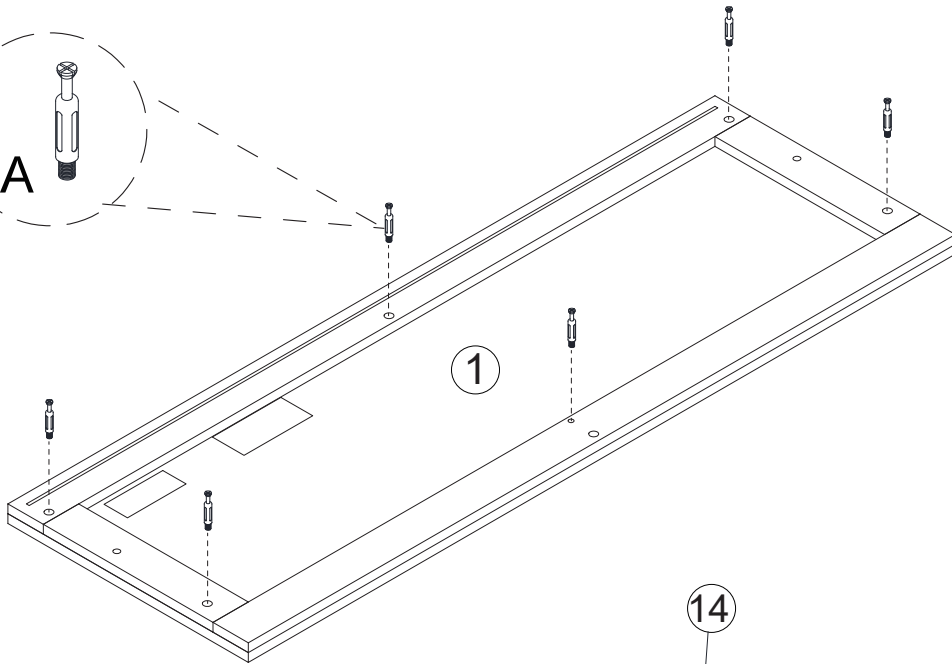
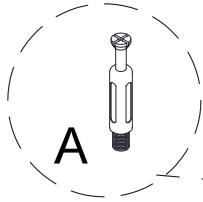
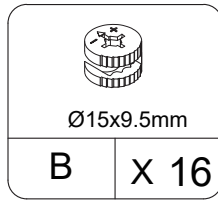
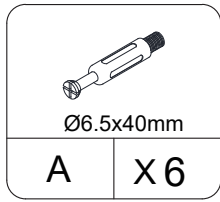
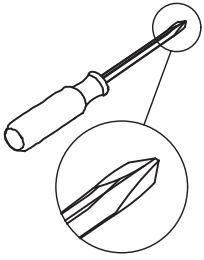
STEP 3



STEP4

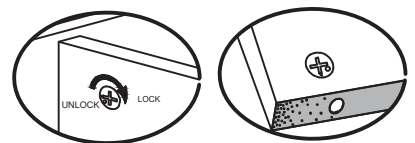
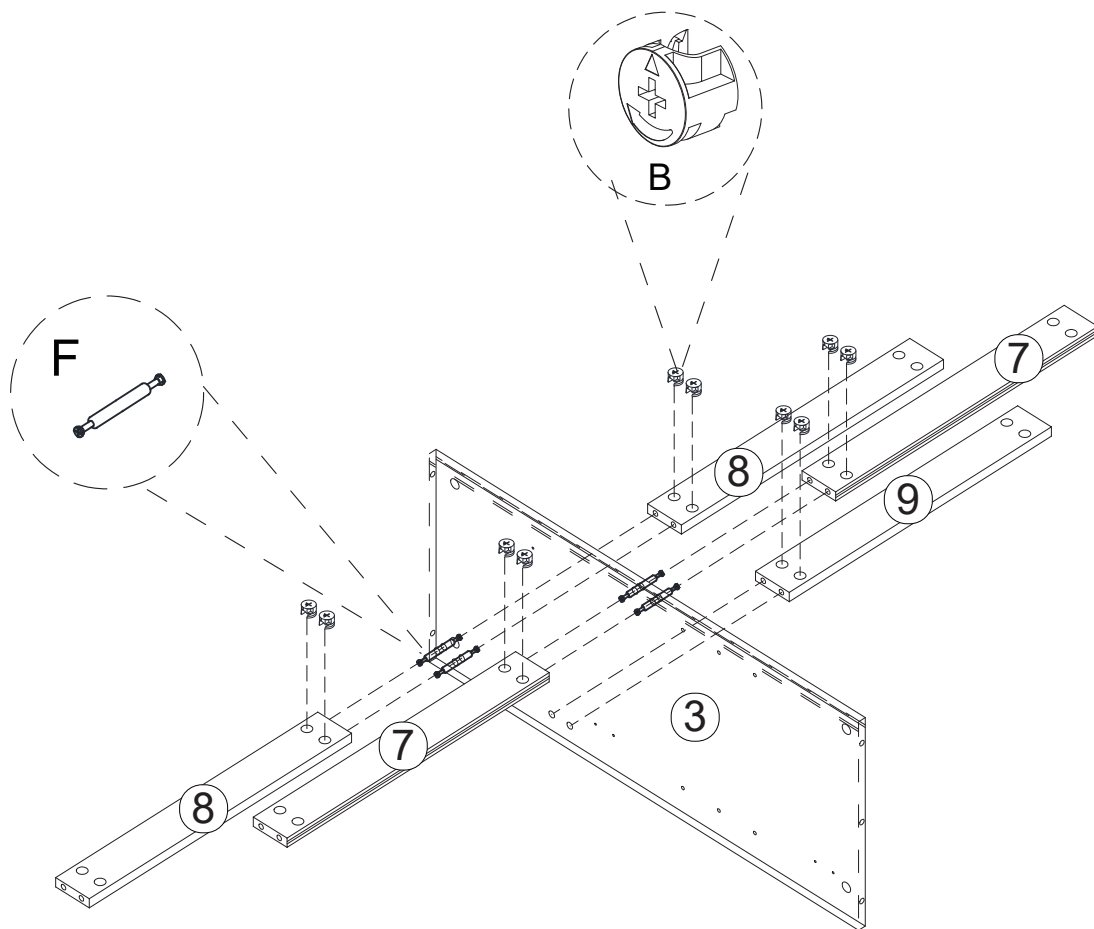
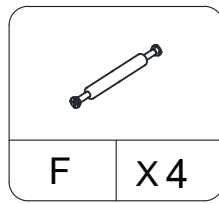
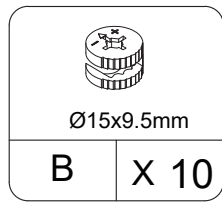
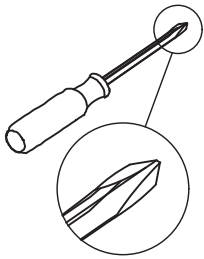


STEP 5

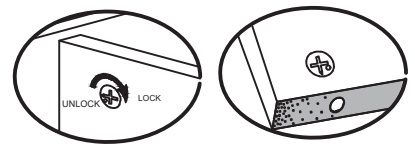
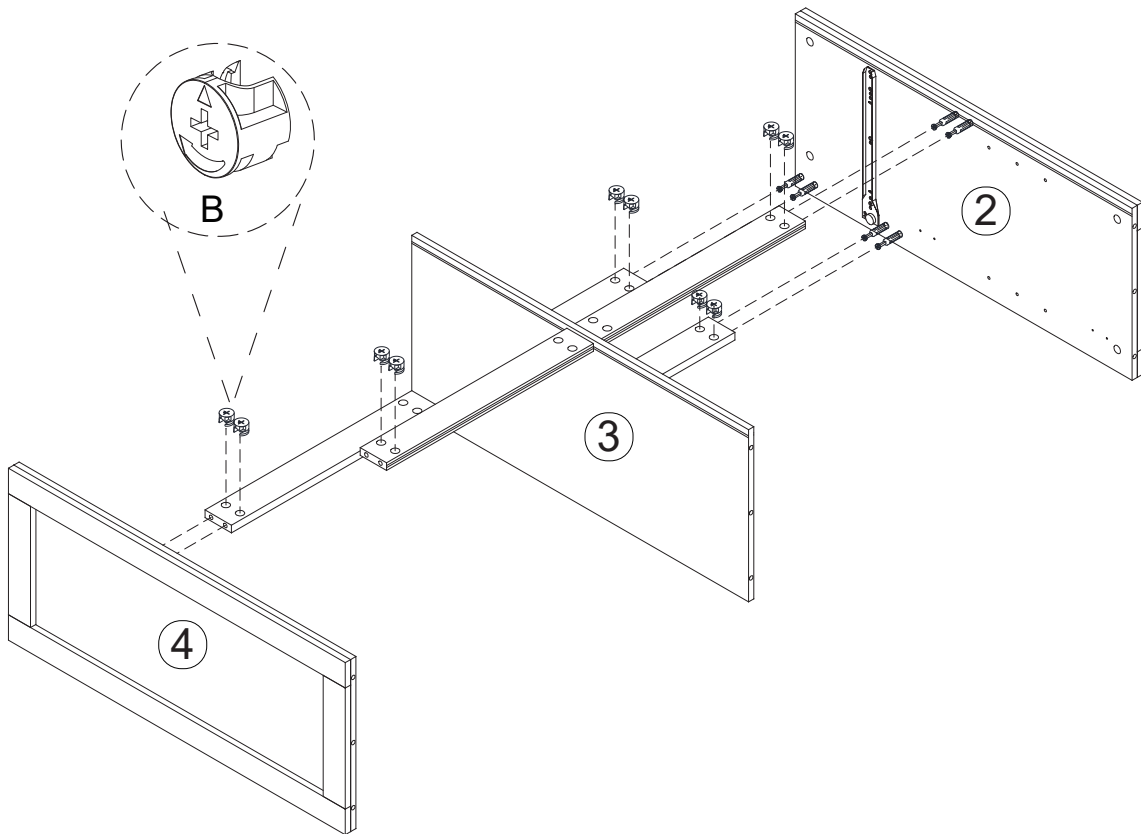
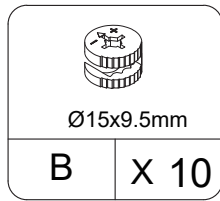
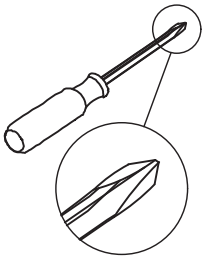


Proper orientation of CAM LOCK

STEP 6

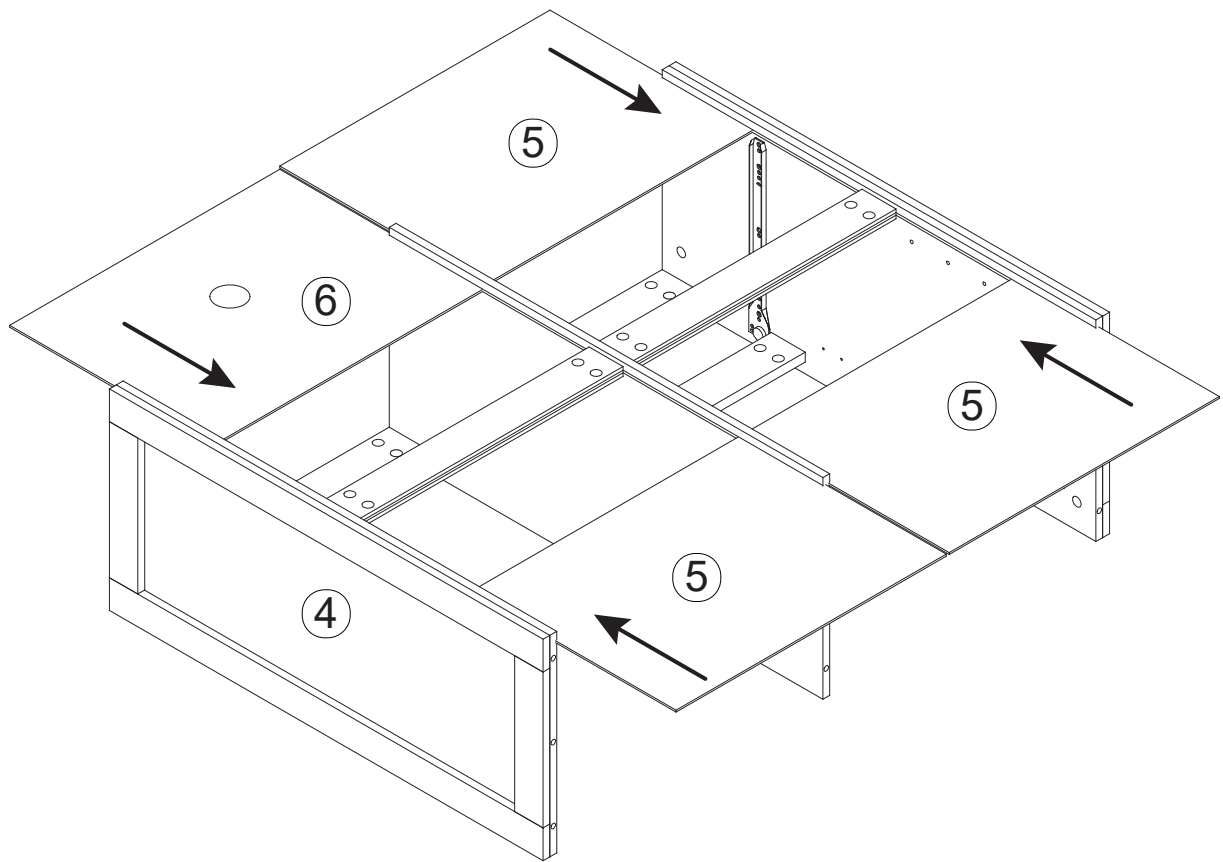


STEP 7

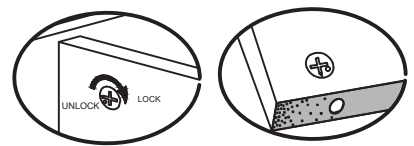
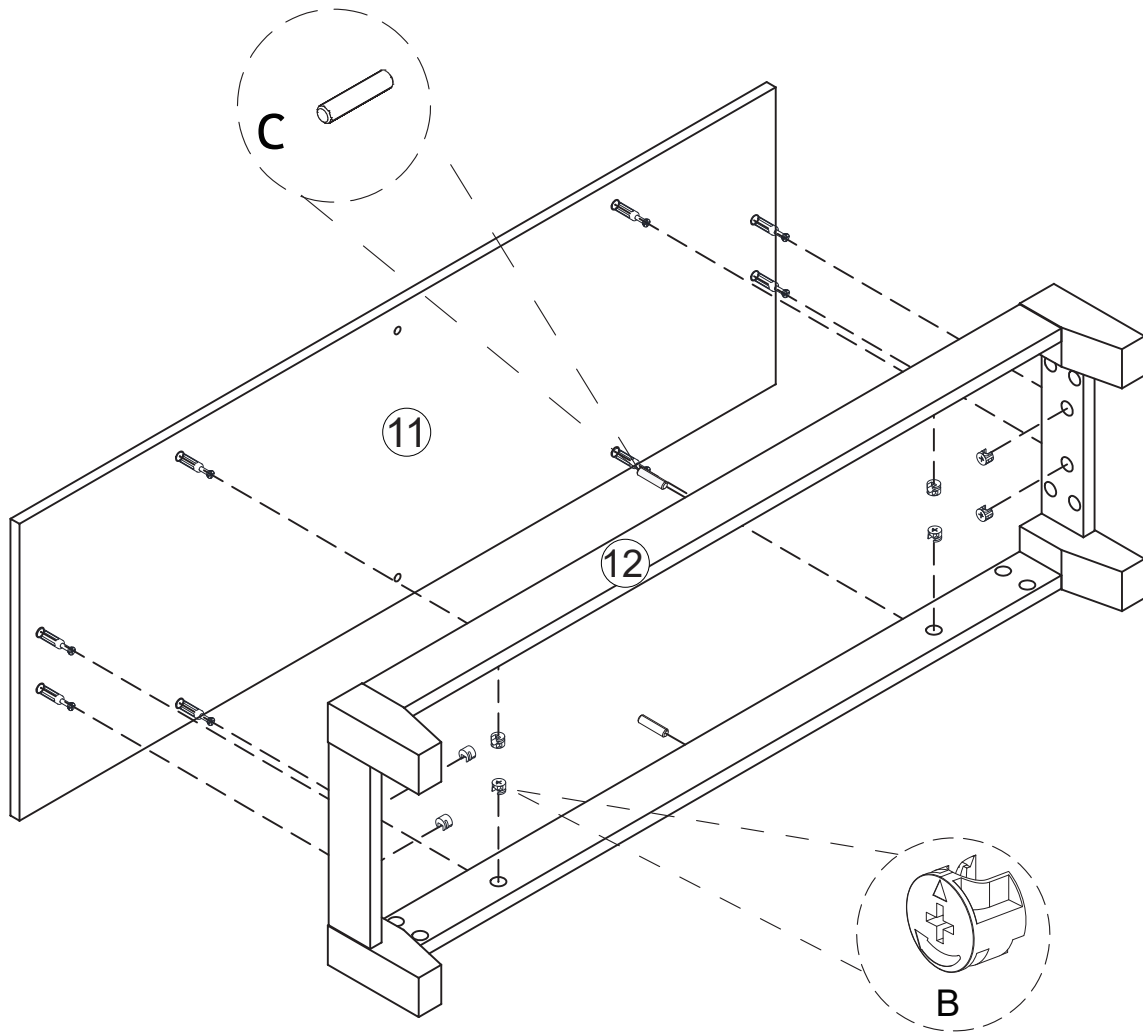
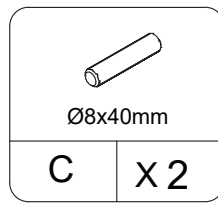
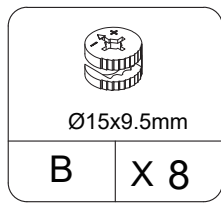
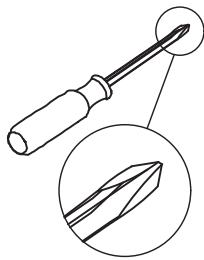


Proper orientation of CAM LOCK

STEP 8

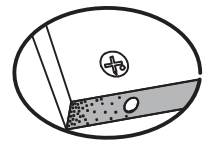
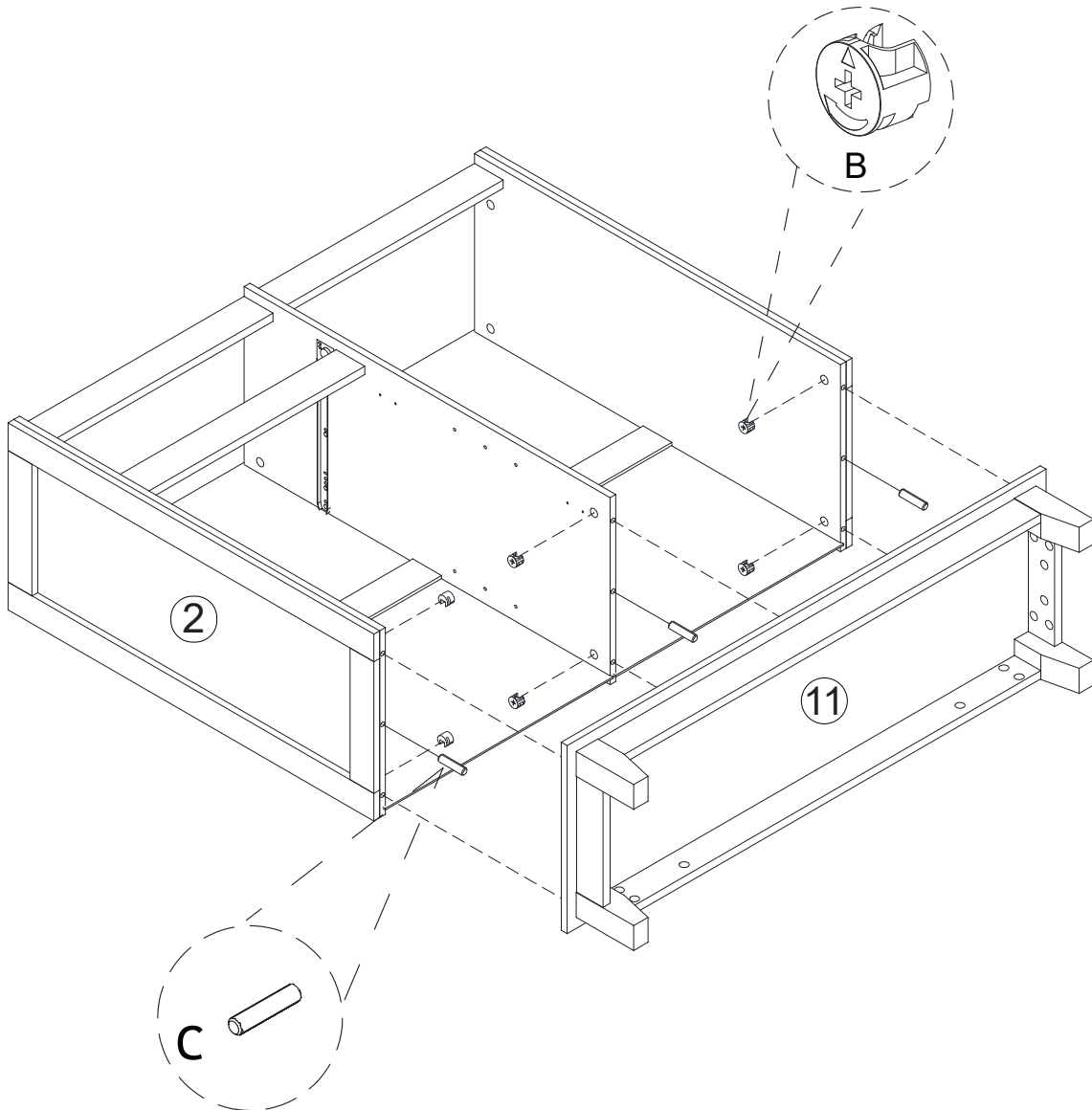
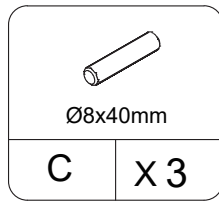
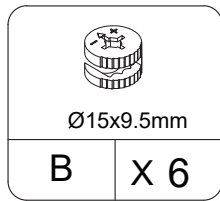
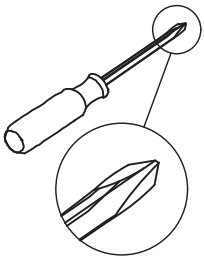


STEP 9



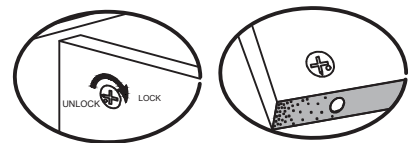
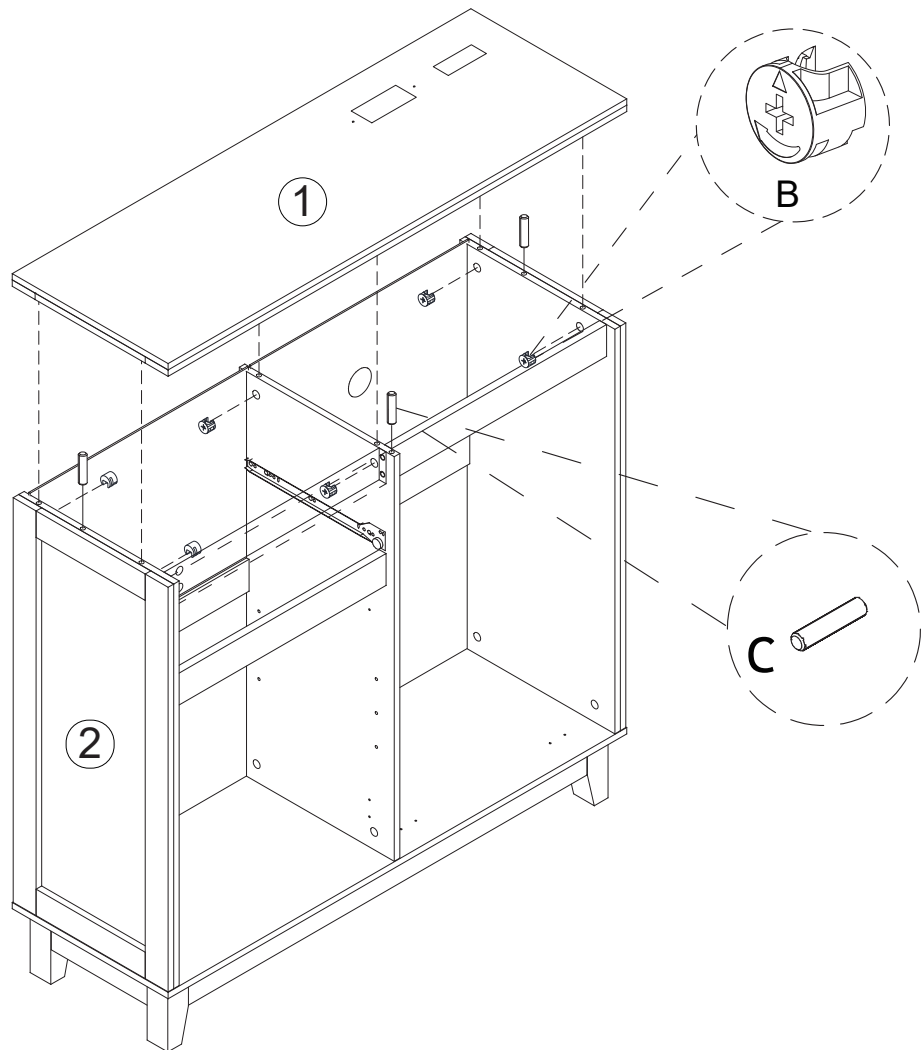
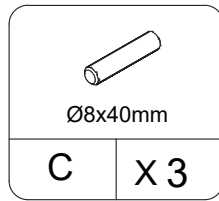
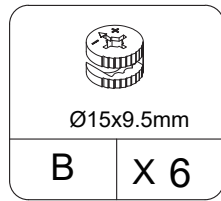
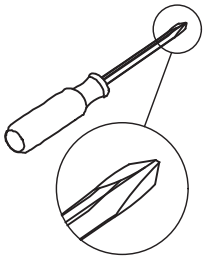
Proper orientation of CAM LOCK

STEP 10



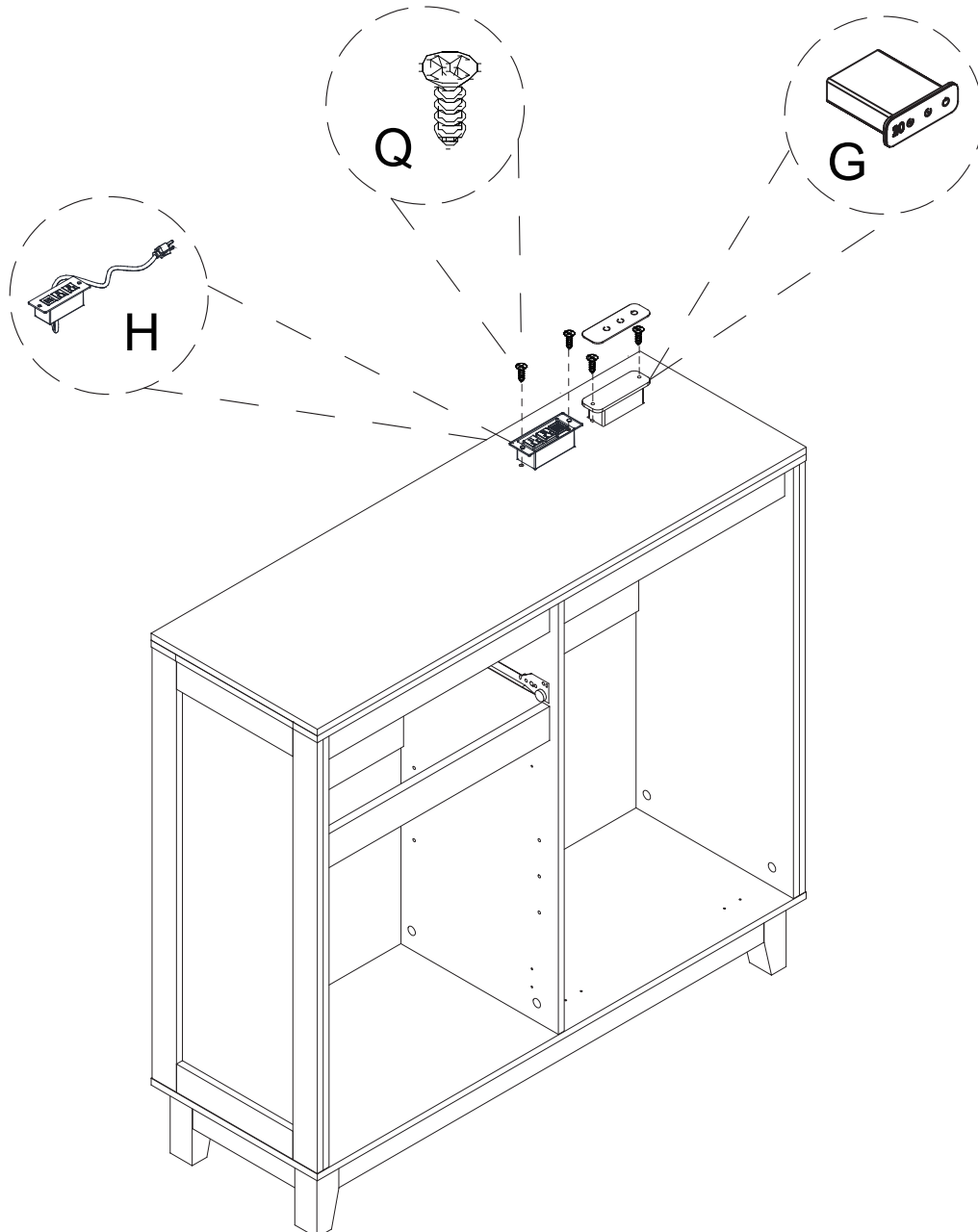
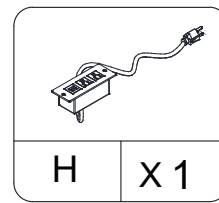
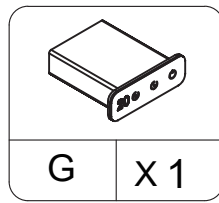
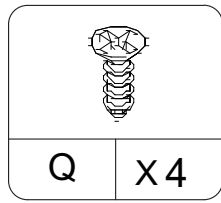
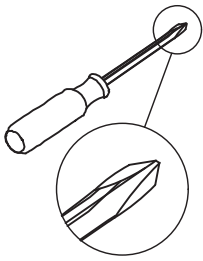
Proper orientation of CAM LOCK

STEP 11

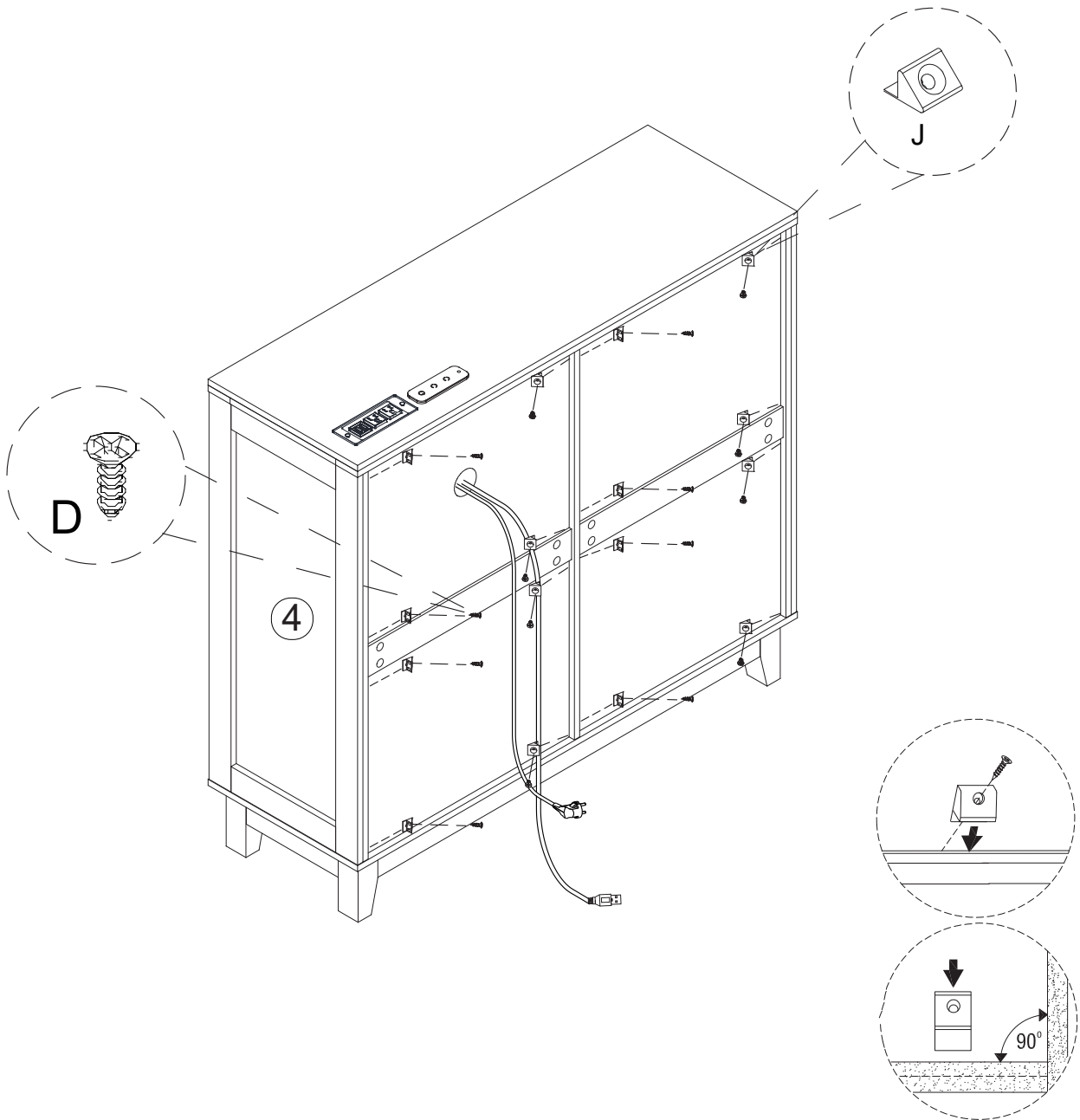
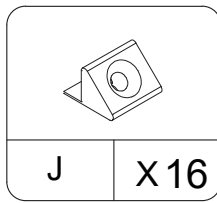
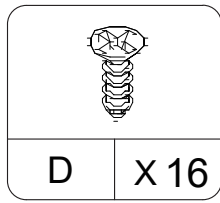
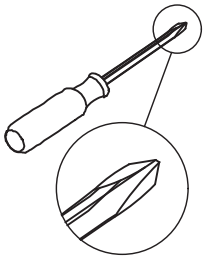


Proper orientation of CAM LOCK

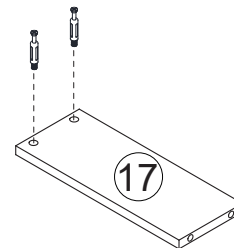
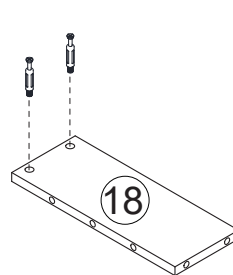
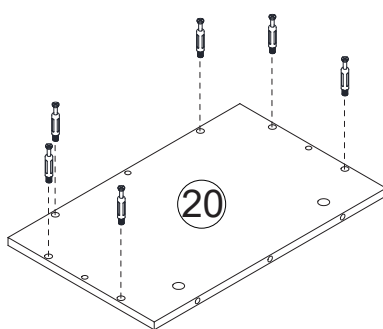
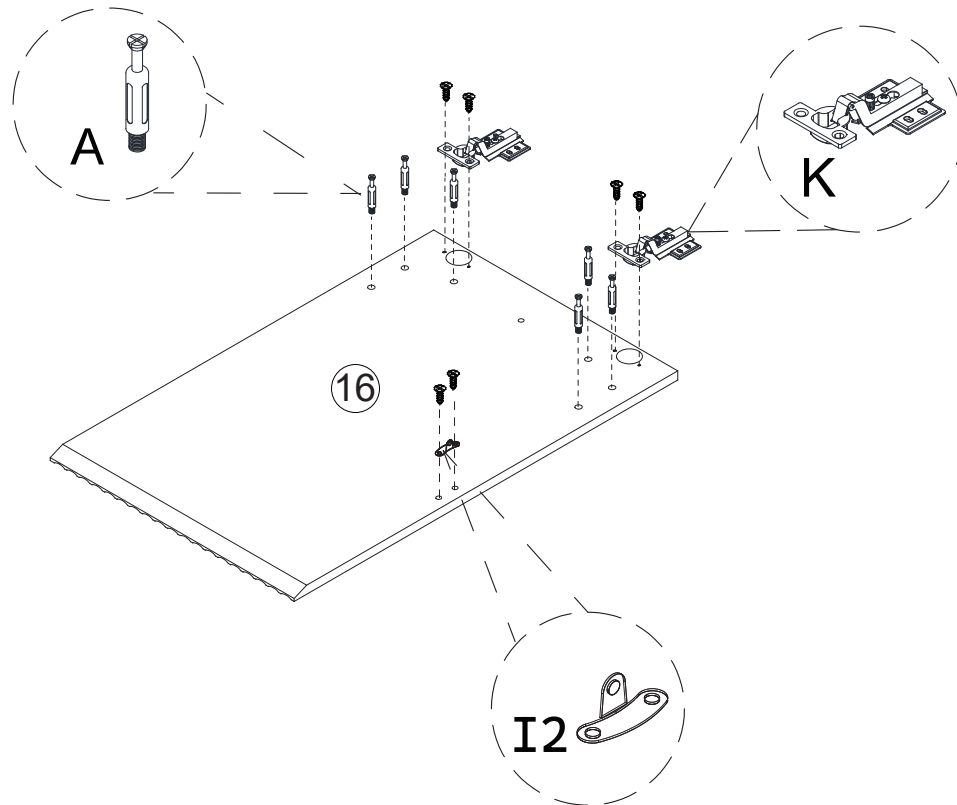
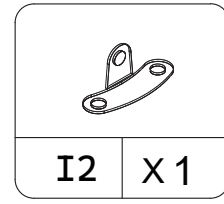
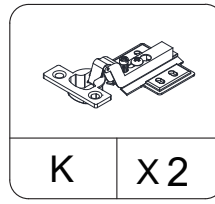
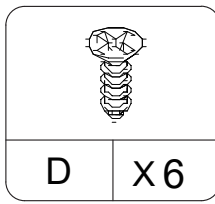
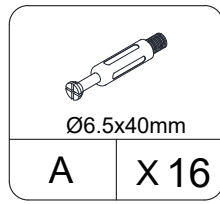
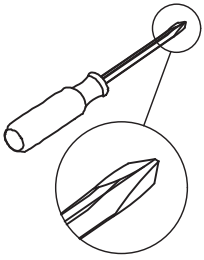
STEP 12



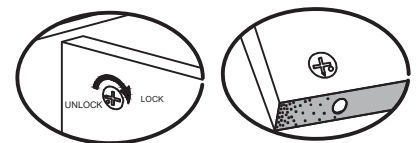
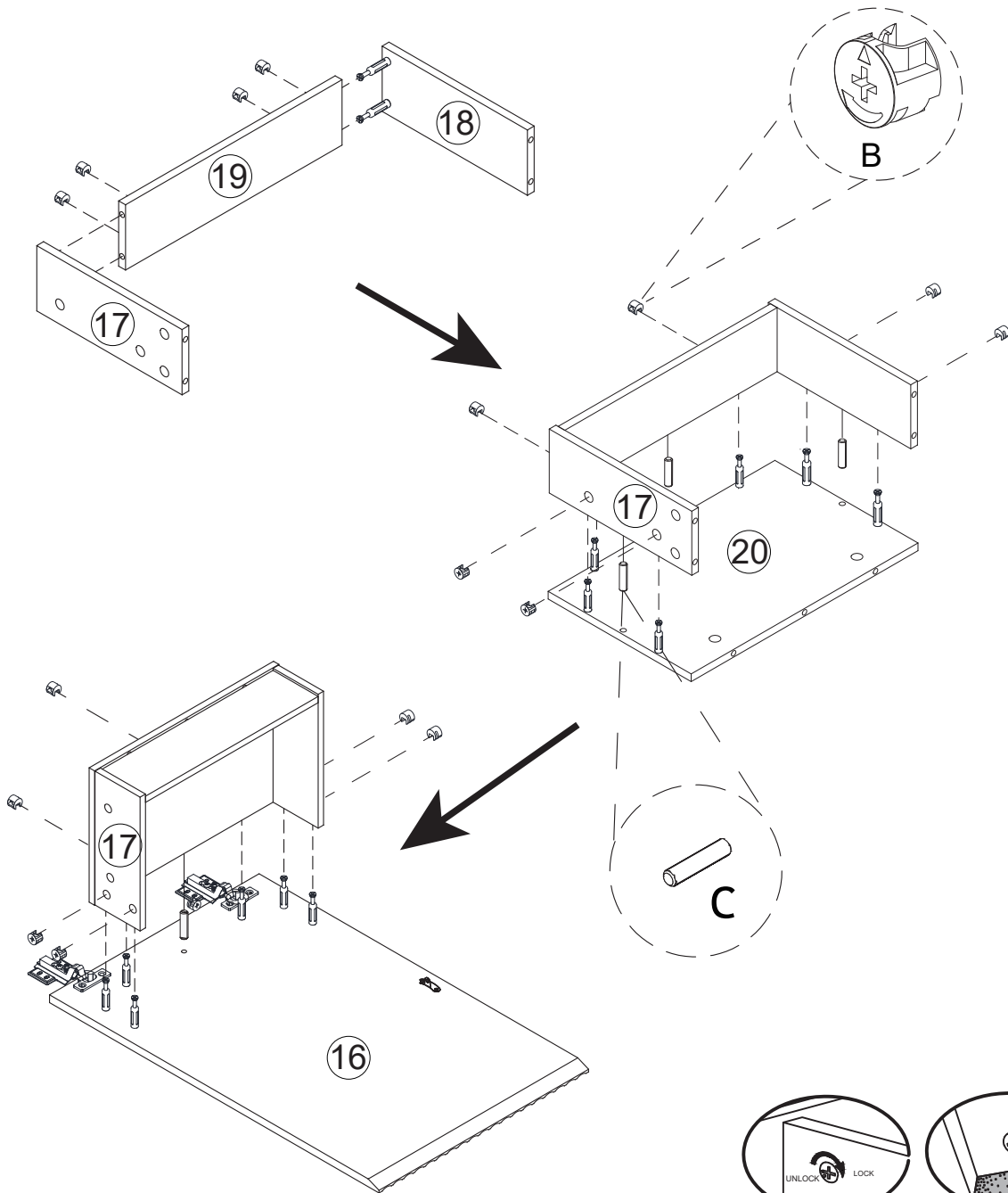
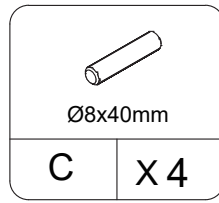
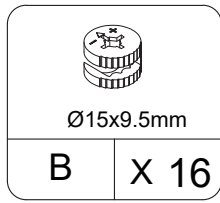
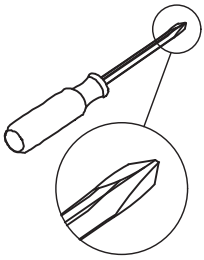
STEP 13



STEP 14

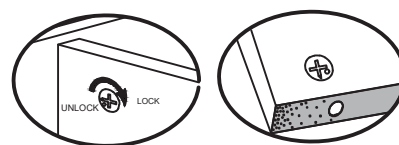
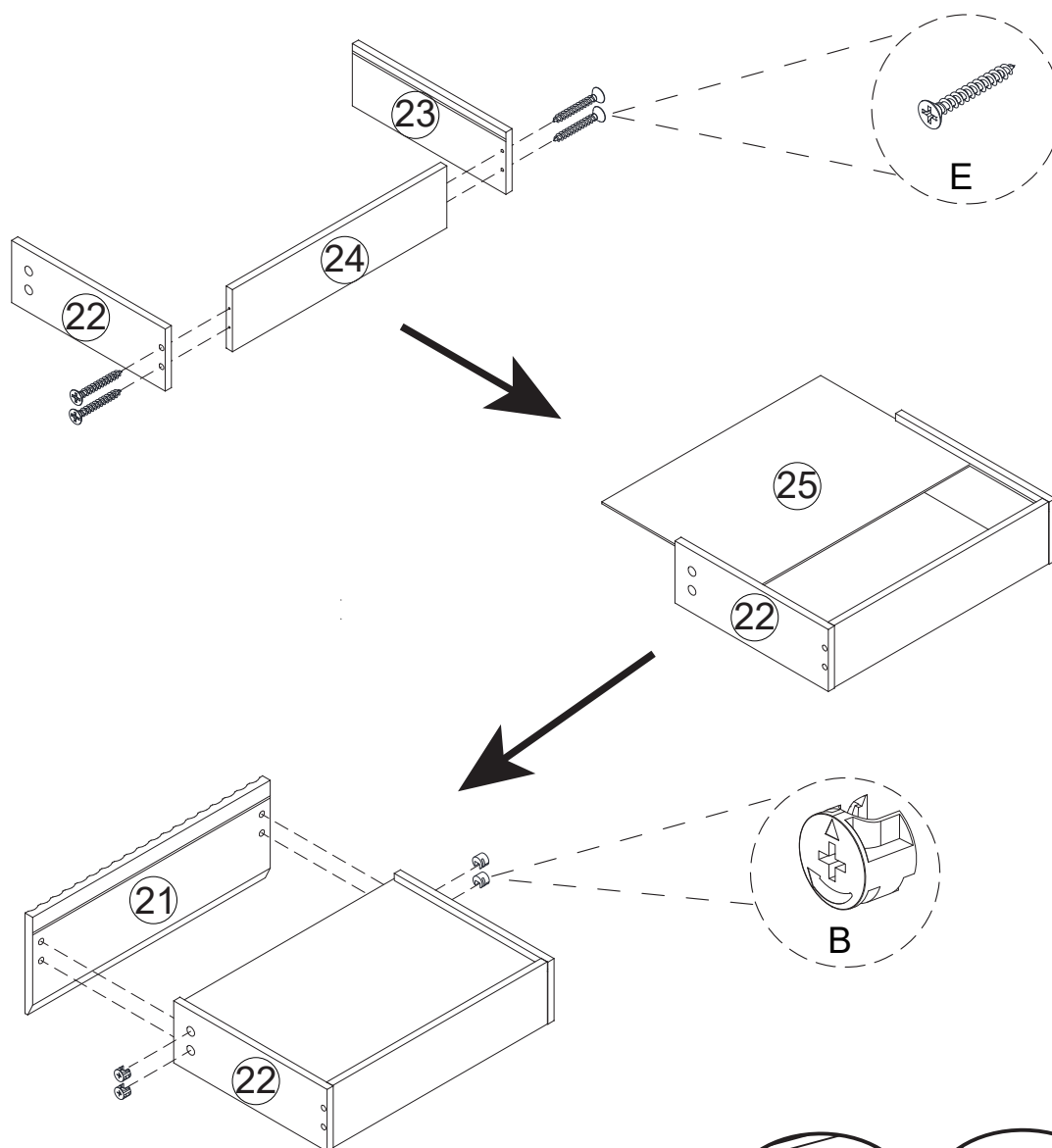
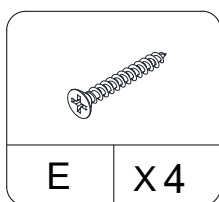
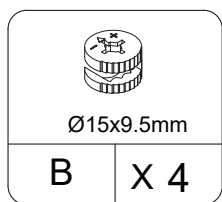
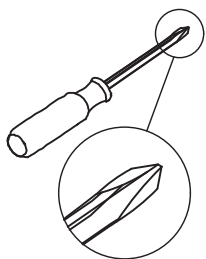


STEP 15

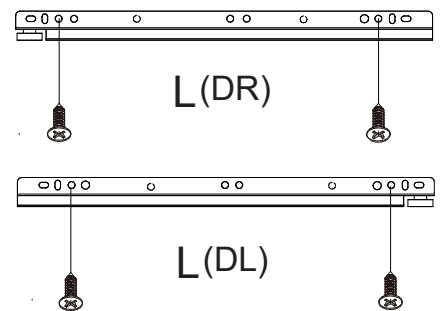
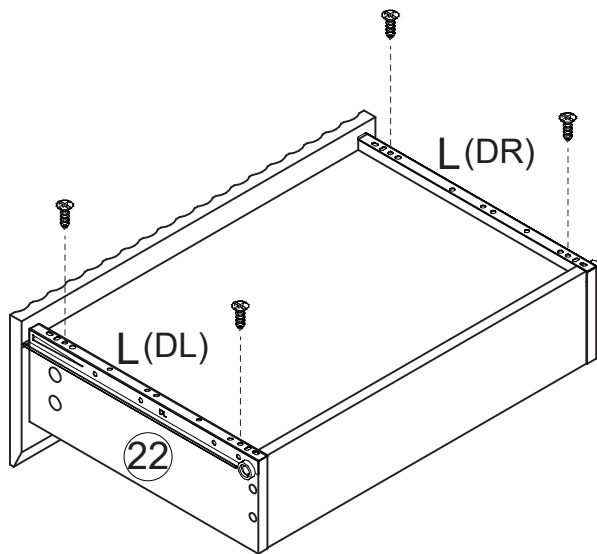
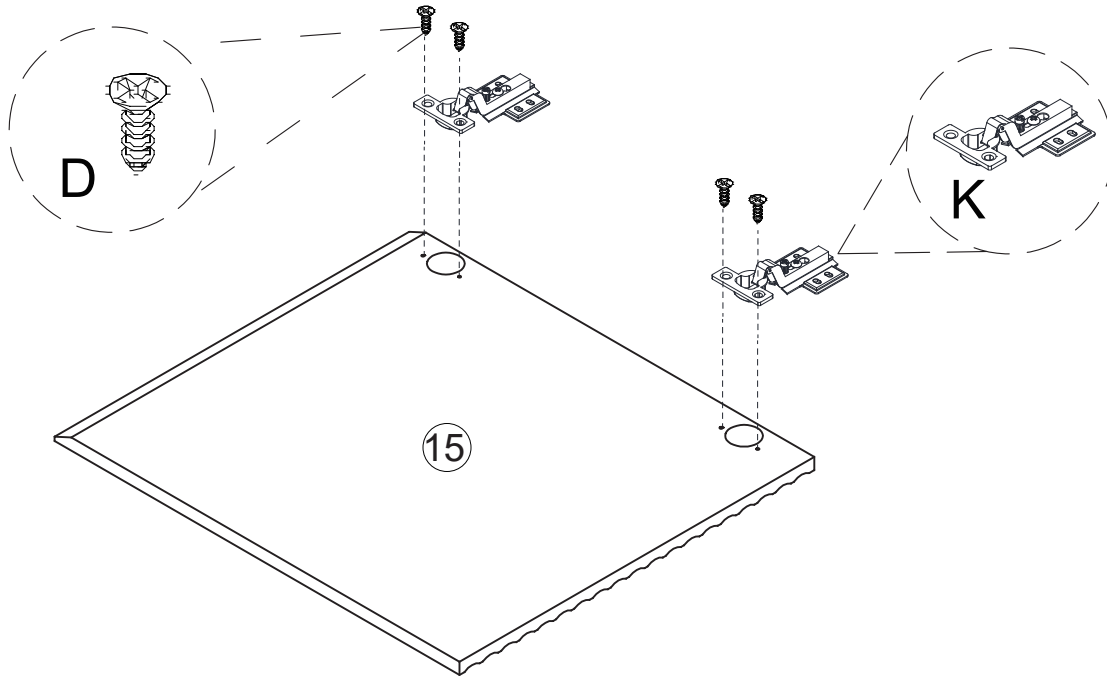
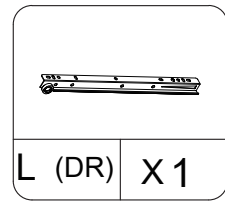
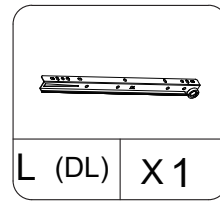
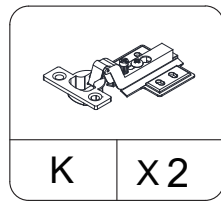
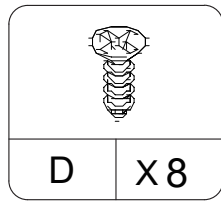
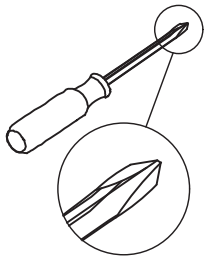


Proper orientation of CAM LOCK

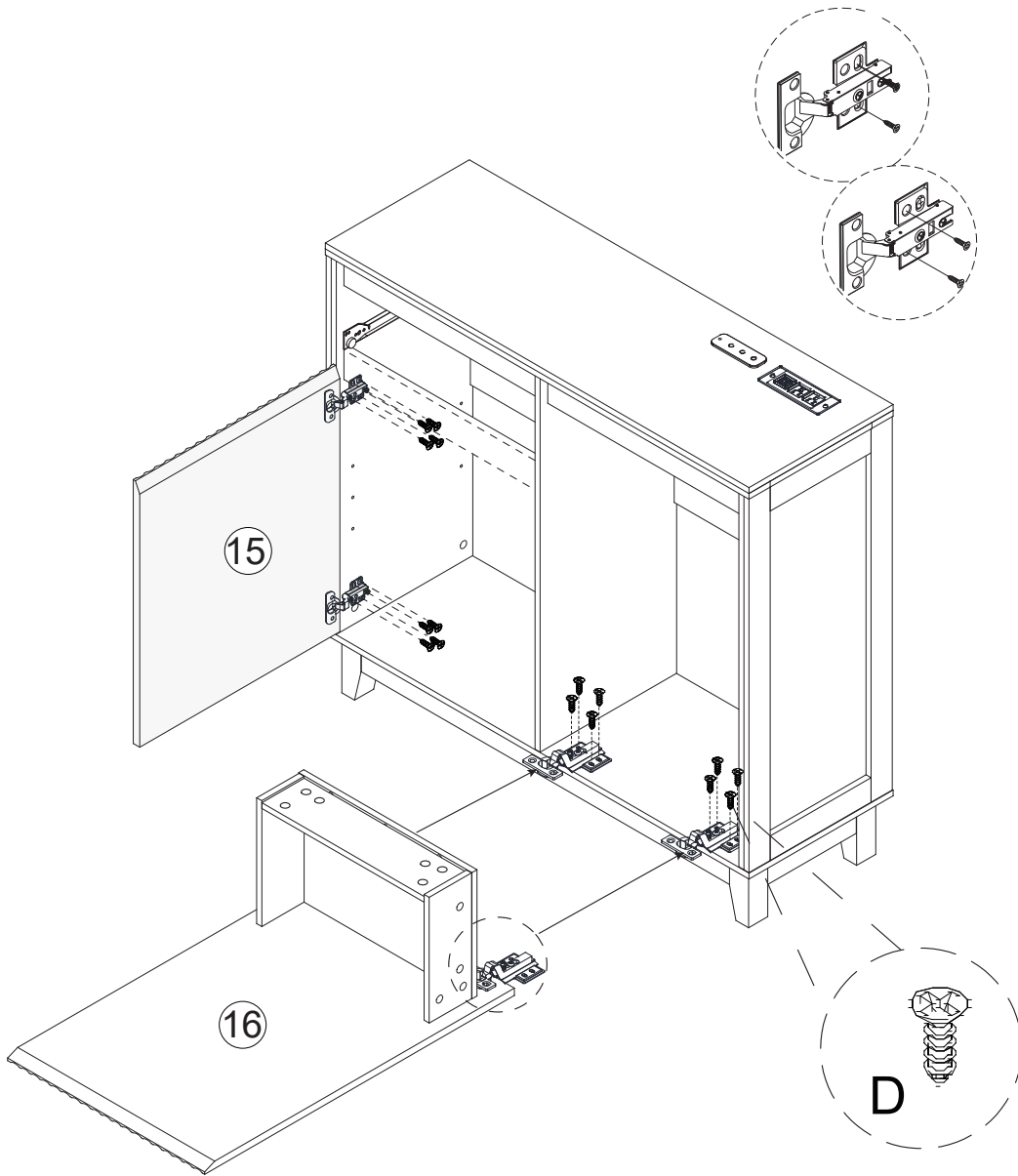
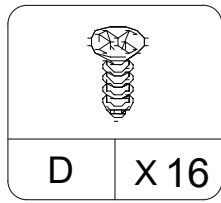
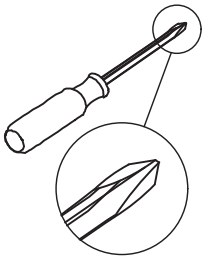
STEP 16



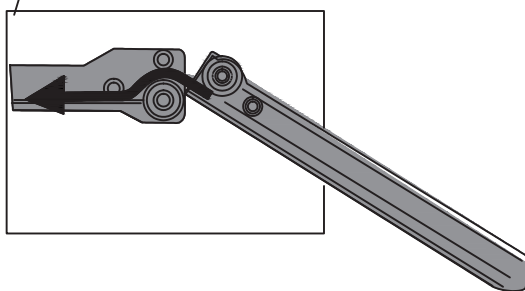
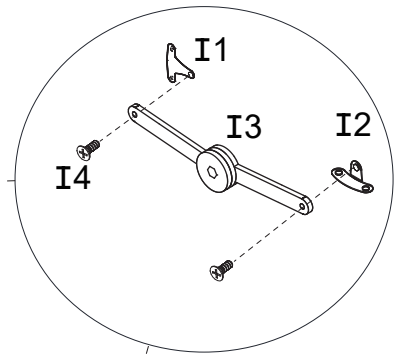
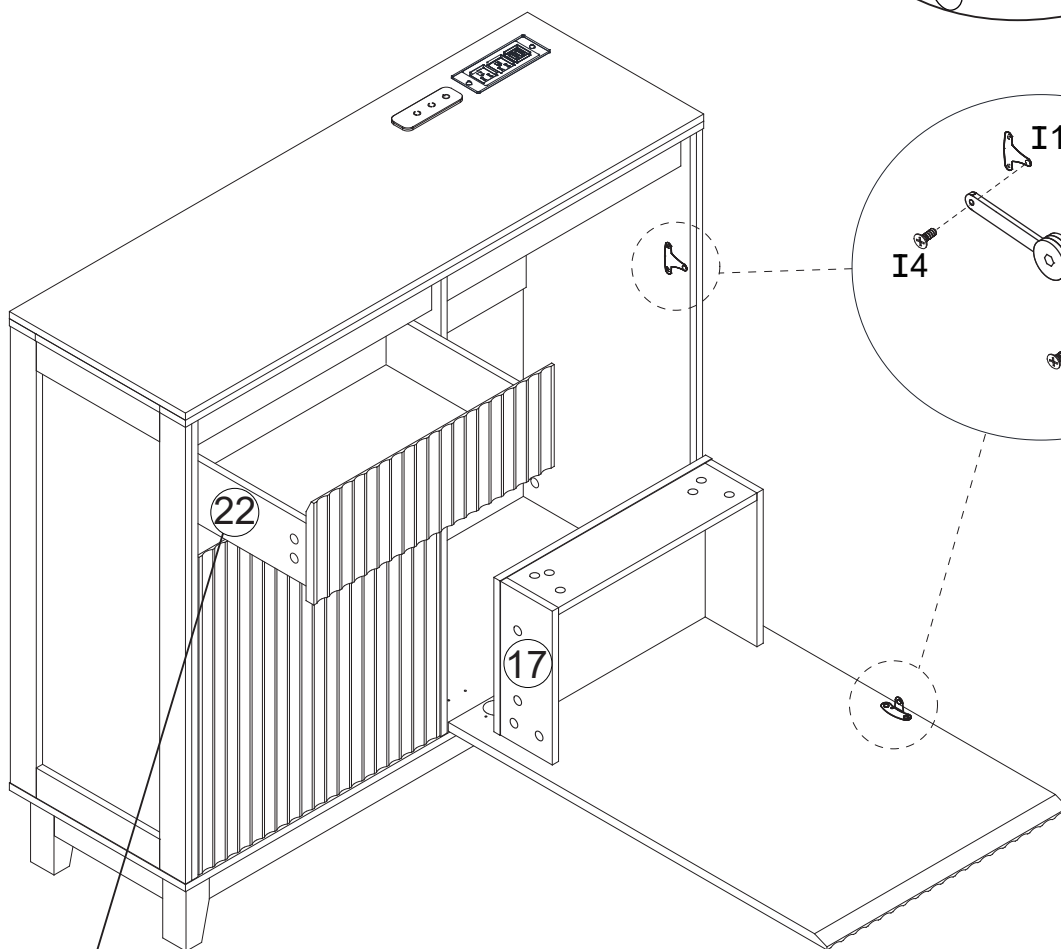
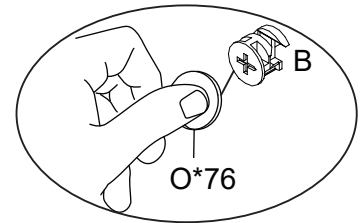
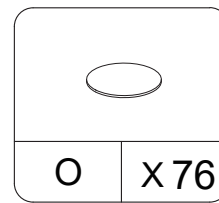
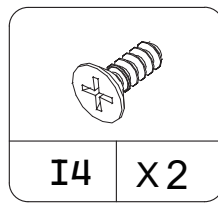
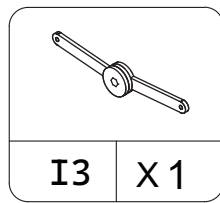
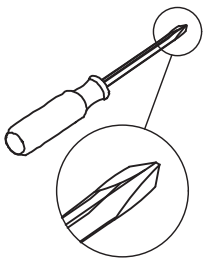
STEP 17



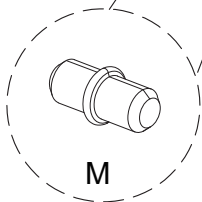
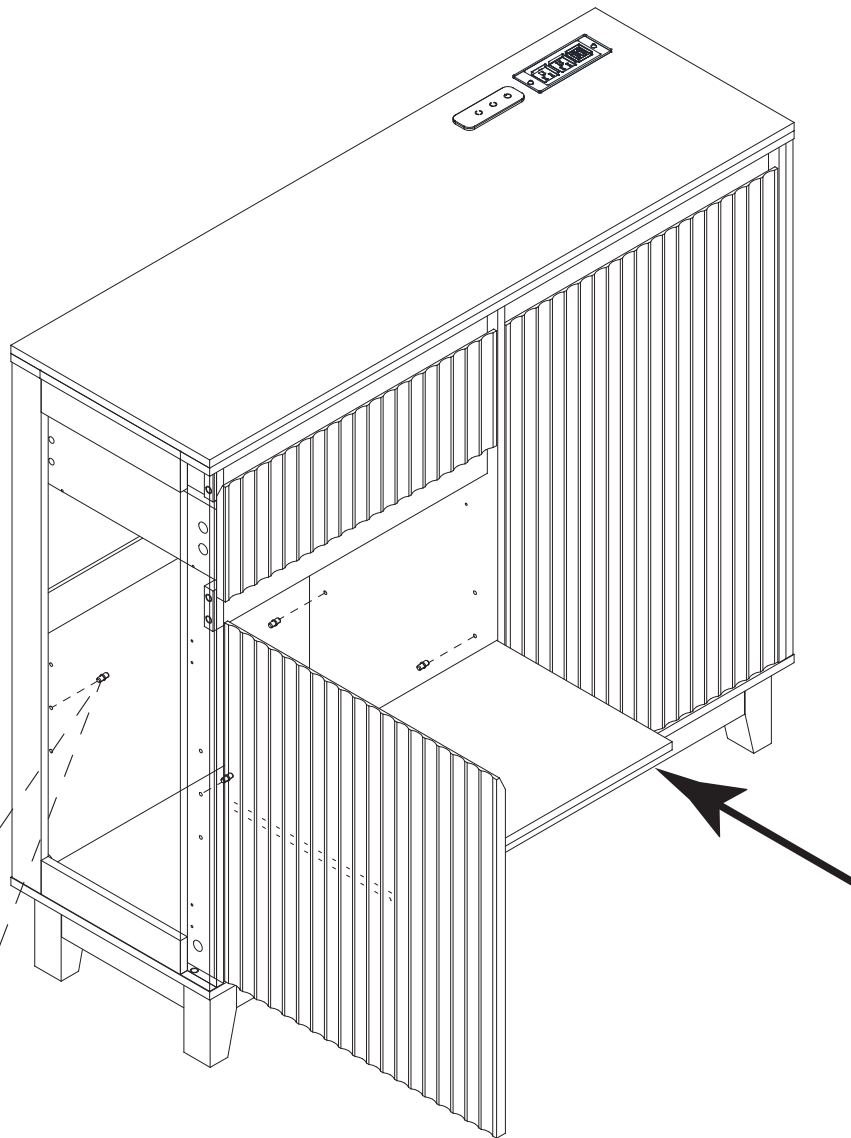
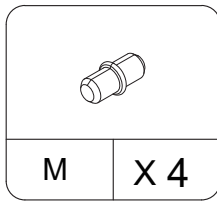
STEP 18



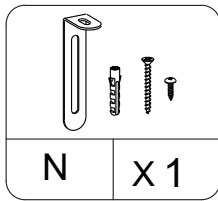
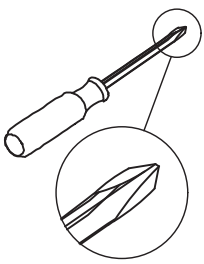
STEP 19




STEP20



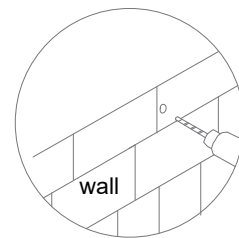
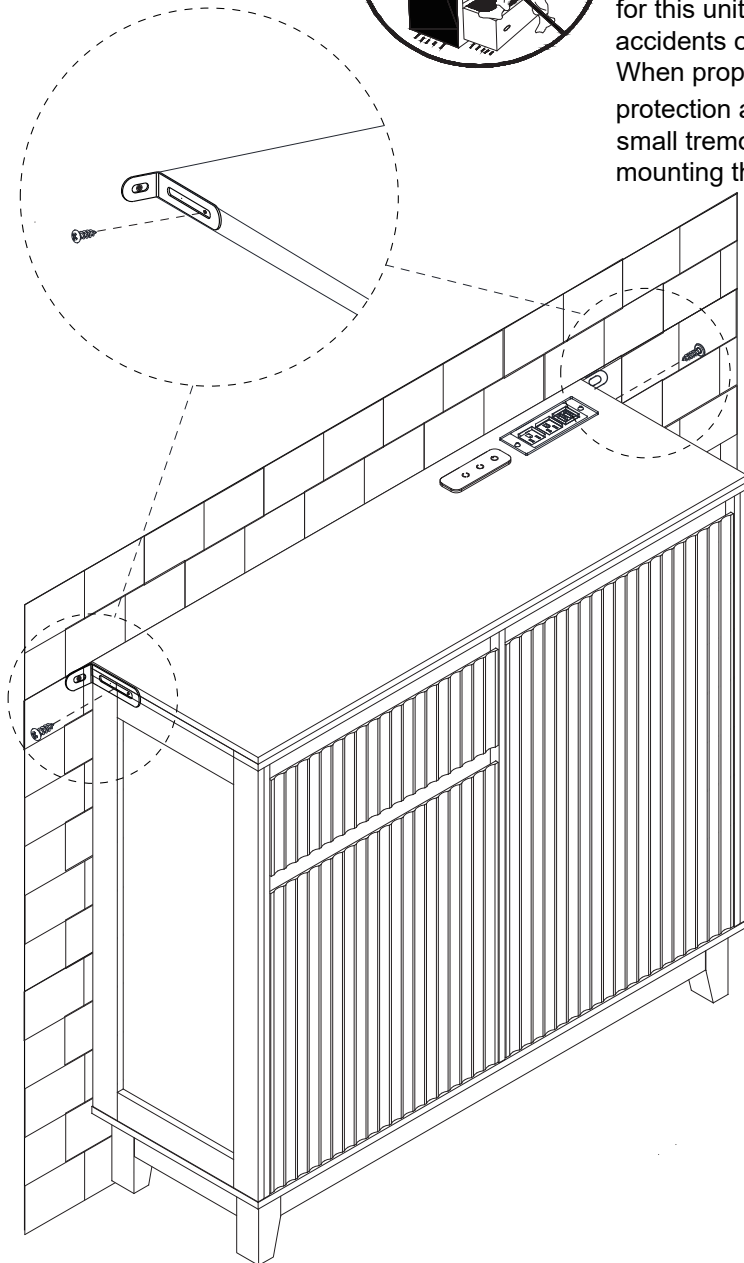
STEP21



NOTE:The wooden stud wall construct wall stud. Depending upon your wall construct anchor hardware maybe required. Please contact your local hardware store for assistance. Young children can be seriously injured by

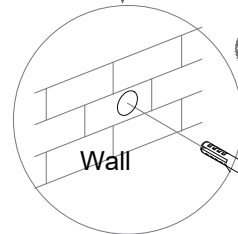
 from restraints are intended only as a deterrent and are not a subs restraints are not earthquake restraints. If you wish to add the extra security of earthquake restraints, they must be purchased and installed separately.

We have included a set of tipping restraint hardware for this unit. You must install this hardware to prevent accidents or injuries that can result from the unit falling. When properly installed, this restraint can provide protection against the unexpected tipping of the unit due to small tremors, bumps or climbing. We strongly recommend mounting this hardware to a wall stud and your unit.



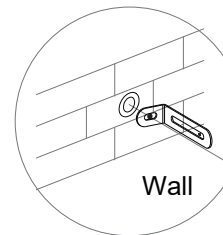
1

drill Ø6 hole on the wall



2

put anchor in the hole



3

fix the device on the wall by the screw



WARNING!

Serious or fatal crushing injuries can occur from furniture tip over. To prevent tip over this furniture must be used with the wall attachment device(s) provided.

The screw(s) and plug(s) supplied can be used with most solid and hollow walls. For solid wood use the screw(s) without plug(s). Use screw(s) and plug(s) suitable for your walls. If you are uncertain, seek professional advice. Read and follow each step of the instruction carefully.



ATTENTION !

Risque de blessure grave ou mortelle par écrasement en cas de chute du meuble. Pour éviter tout risque de basculement, ce meuble doit être fixé au mur à l'aide des fixations incluses.

Les vis et chevilles incluses sont adaptées à la plupart des murs solides et creux. Pour du bois massif, utiliser les vis sans les chevilles. Utiliser des vis et des chevilles adaptées à votre type de mur. En cas de doute, demandez conseil à un vendeur spécialisé. Lire et suivre attentivement toutes les étapes de la notice de montage.



ADVERTENCIA

Si un mueble vuelca, puede provocar daños de aplastamiento graves o fatales. Para evitar que vuelque, este mueble debe usarse con el dispositivo/s de fijación a la pared suministrado.

Los tornillos y tacos que se suministran se pueden utilizar en la mayoría de las paredes y tabiques. En madera maciza usa los tornillos sin taco. Utiliza tornillos y tacos adecuados para tus paredes. En caso de duda, consulta a un profesional. Lee y sigue cada paso de las instrucciones cuidadosamente.



Should you have any questions,
don't hesitate to reach out to us!

After-Sales Service Support :

Toll Free Hot Line: (+1) 844-986-5234

Monday-Friday (9:00am-6:00pm)

Email: business@energyfic.com



Scan the QR code and register to extend the
warranty to 2 years!

