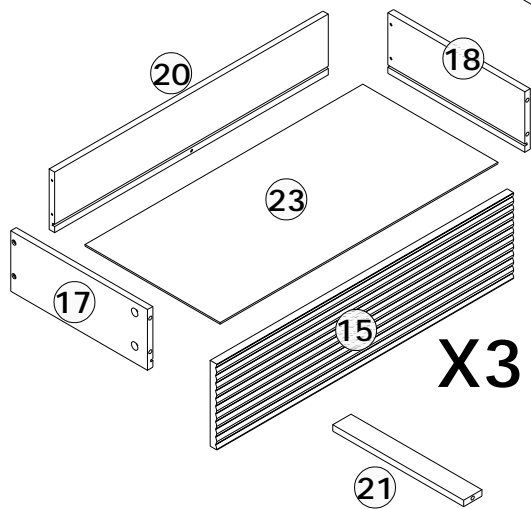
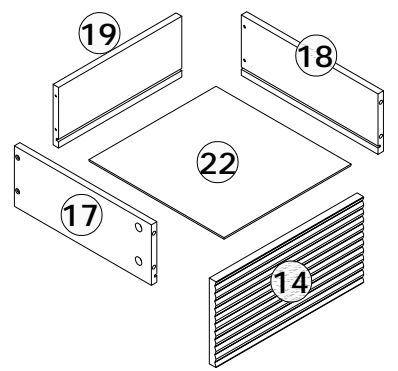
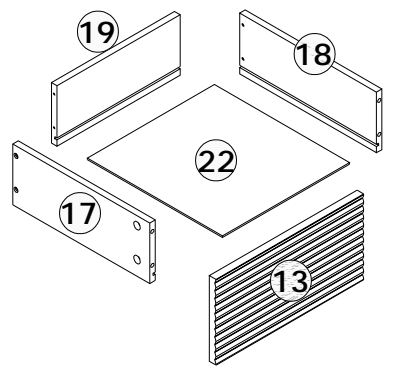
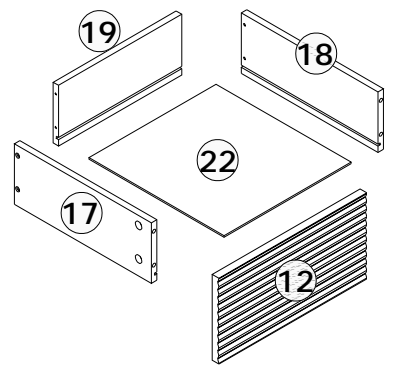
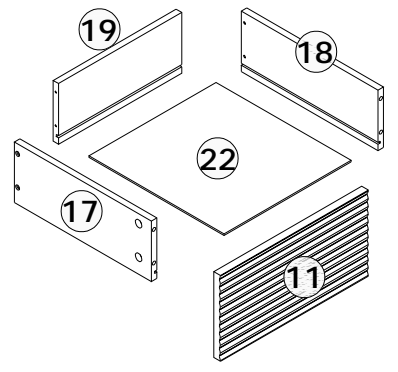
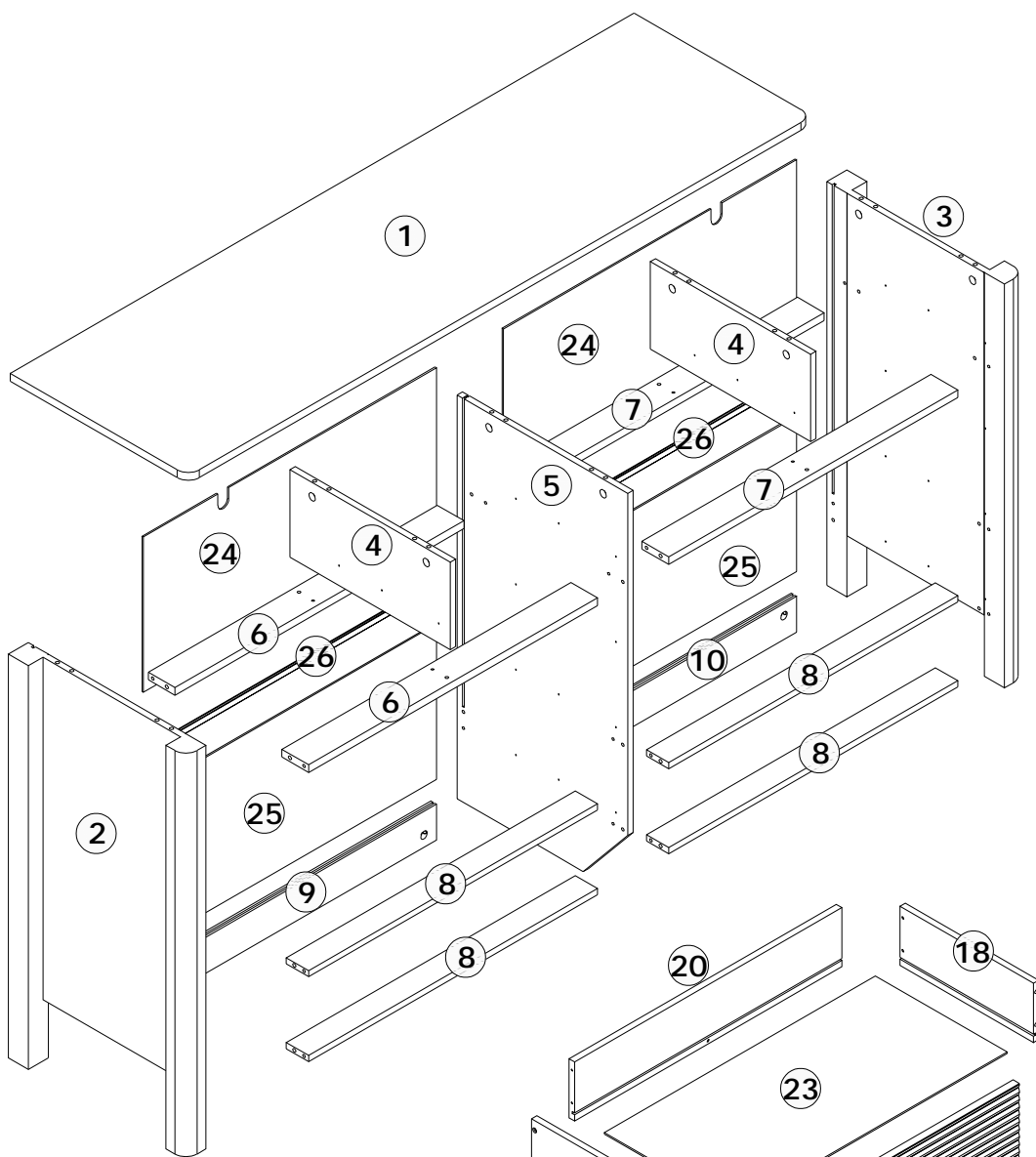


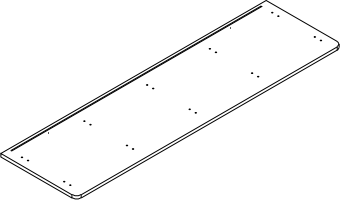
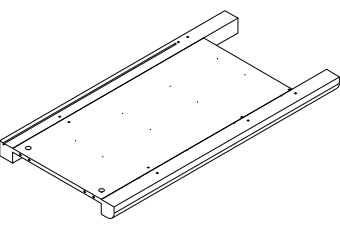
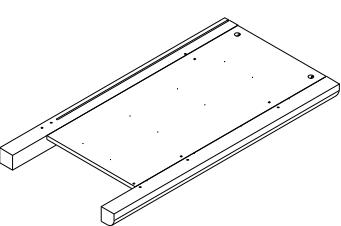
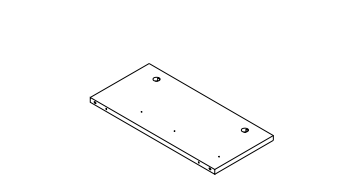
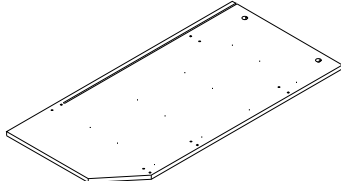
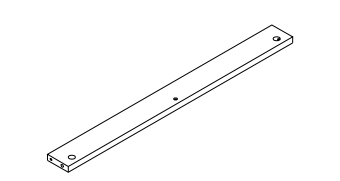
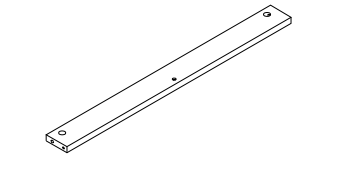
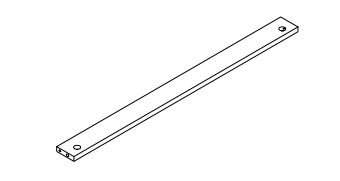
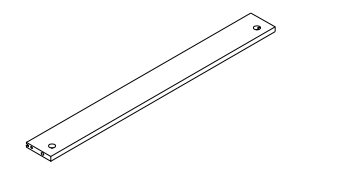
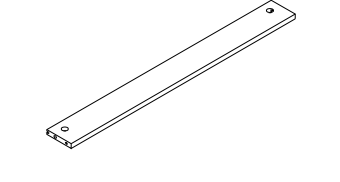
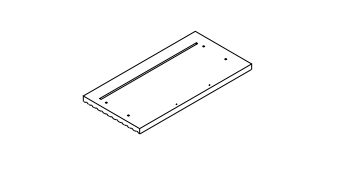
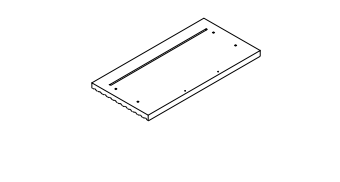
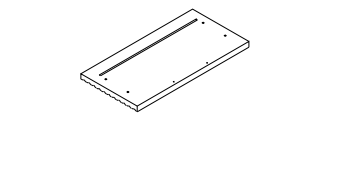
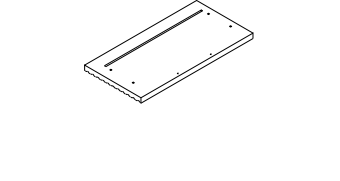
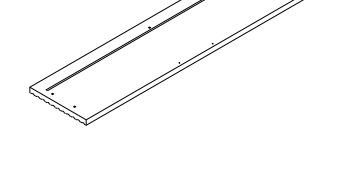
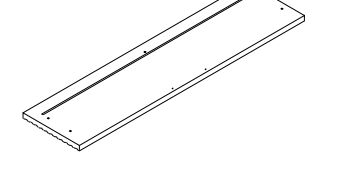
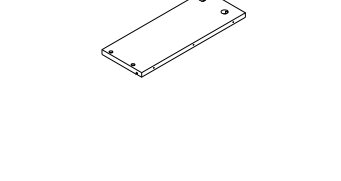
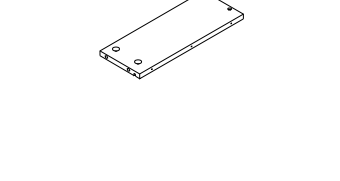
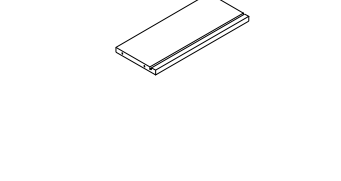
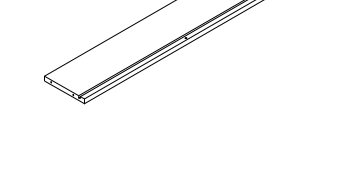
Installation instruction

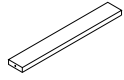


X3

X3

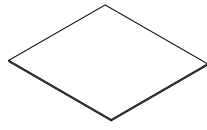
Parts and Operation Elements

			
① 1pc	② 1pc	③ 1pc	④ 2pcs
			
⑤ 1pc	⑥ 2pcs	⑦ 2pcs	⑧ 4pcs
			
⑨ 1pc	⑩ 1pc	⑪ 1pc	⑫ 1pc
			
⑬ 1pc	⑭ 1pc	⑮ 3pcs	⑯ 3pcs
			
⑰ 10pcs	⑱ 10pcs	⑲ 4pcs	⑳ 6pcs



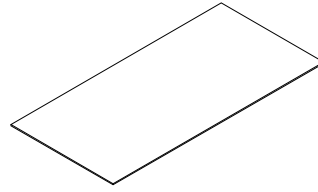
21

6pcs



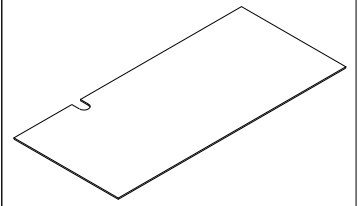
22

4pcs



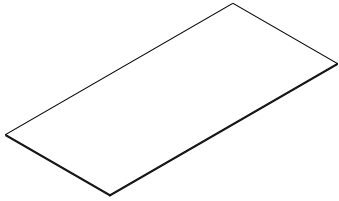
23

6pcs



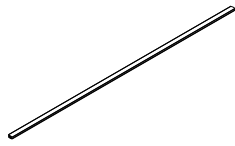
24

2pcs



25

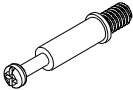


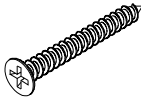
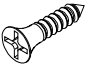

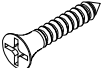

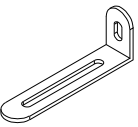

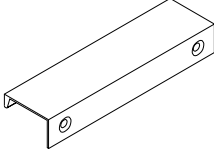
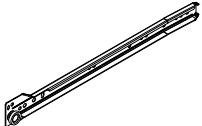

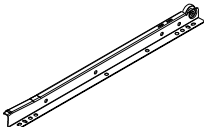

2pcs



26

2pcs

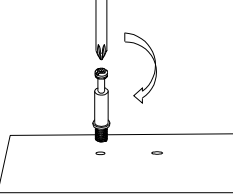
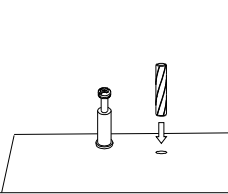
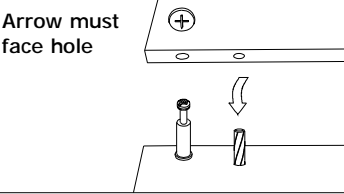
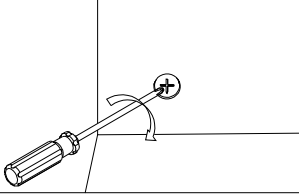
Hardware

							
Cam bolt		Cam lock		Wood dowel Ø6 x 30mm		Ø4 x 35mm screw	
A	76+4pcs	B	76+4pcs	C	34+3pcs	D	52+4pcs
							
Ø3 x 10mm screw		Ø4 x 12mm screw		Ø3 x 14mm screw		Back bracket	
E	140+4pcs	F	2pcs	G	16+2pcs	H	16+2pcs
							
L wall fixing		30mm wall plug		300mm		300mm	
J	2pcs	K	2pcs	L	10pcs	CL	10pcs
							
300mm		300mm		300mm			
CR	10pcs	DL	10pcs	DR	10pcs		

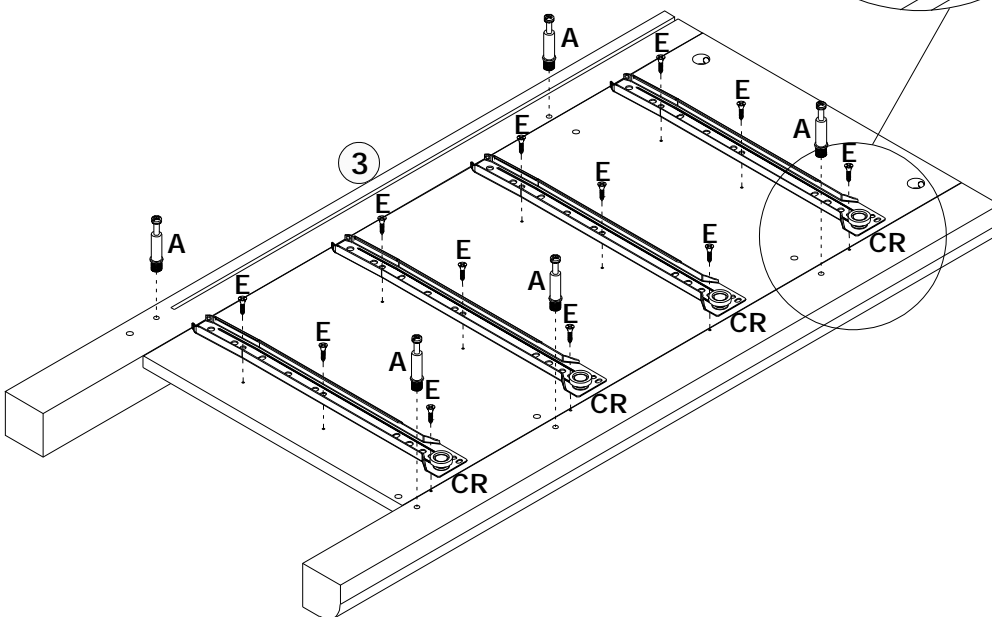
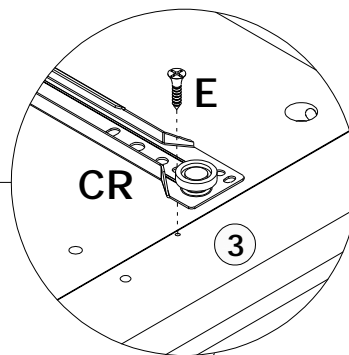
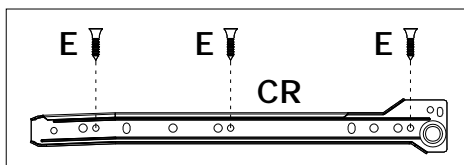
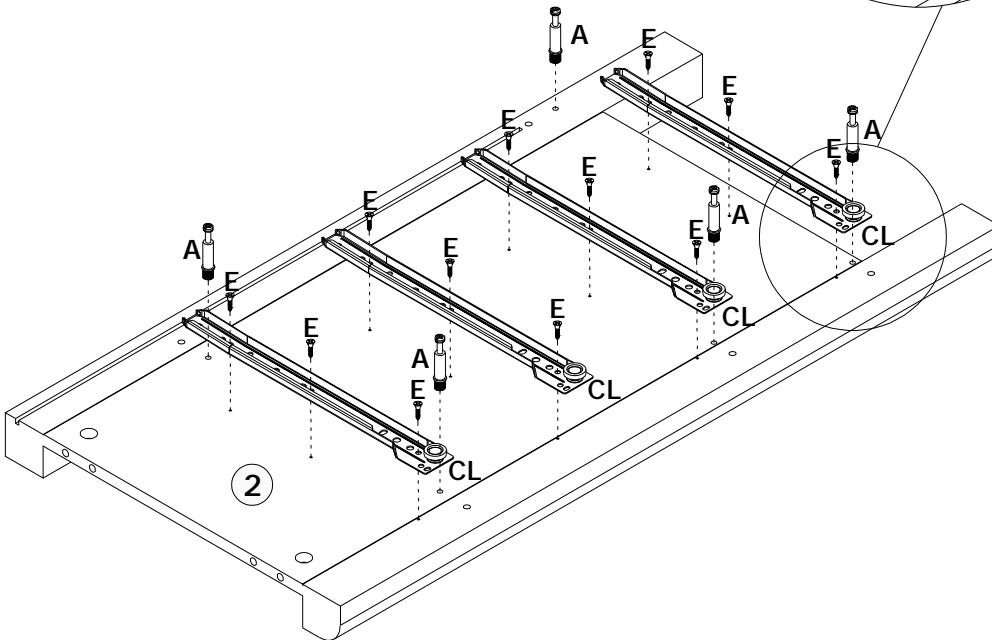
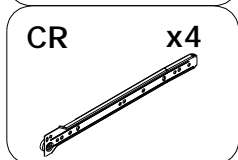
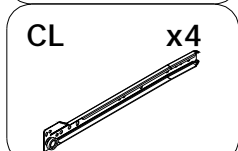
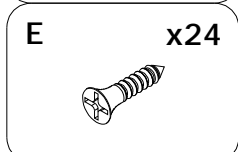
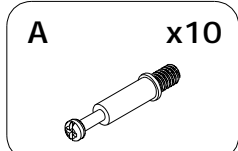
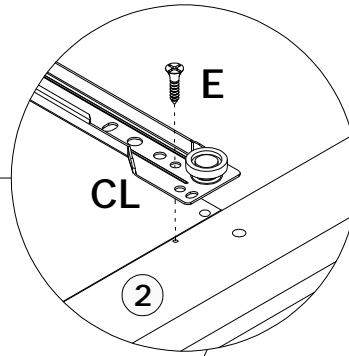
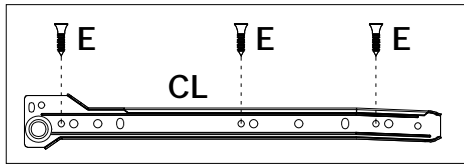


SPARE BAG

THE SPARE BAG INCLUDED EXTRA HARDWARE FOR DAMAGED OR MISSING SMALL HARDWARE WHILE YOU ARE ASSEMBLING

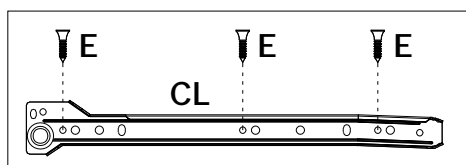
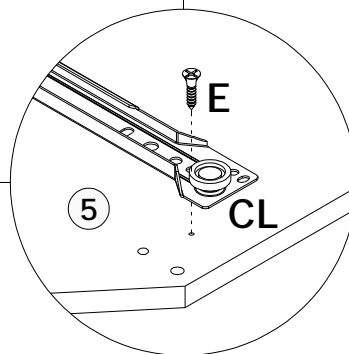
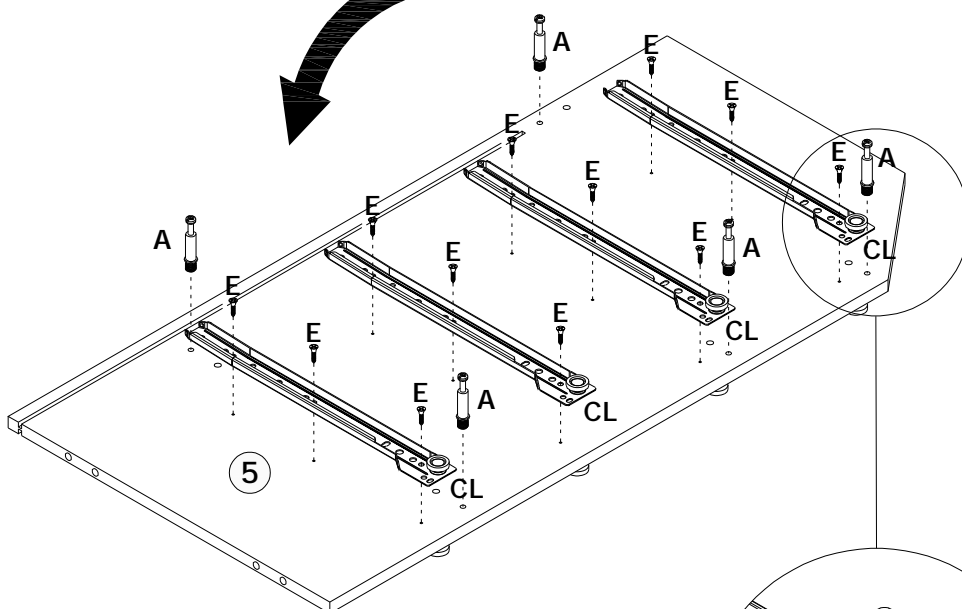
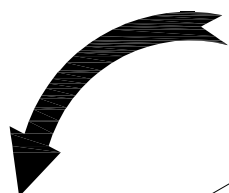
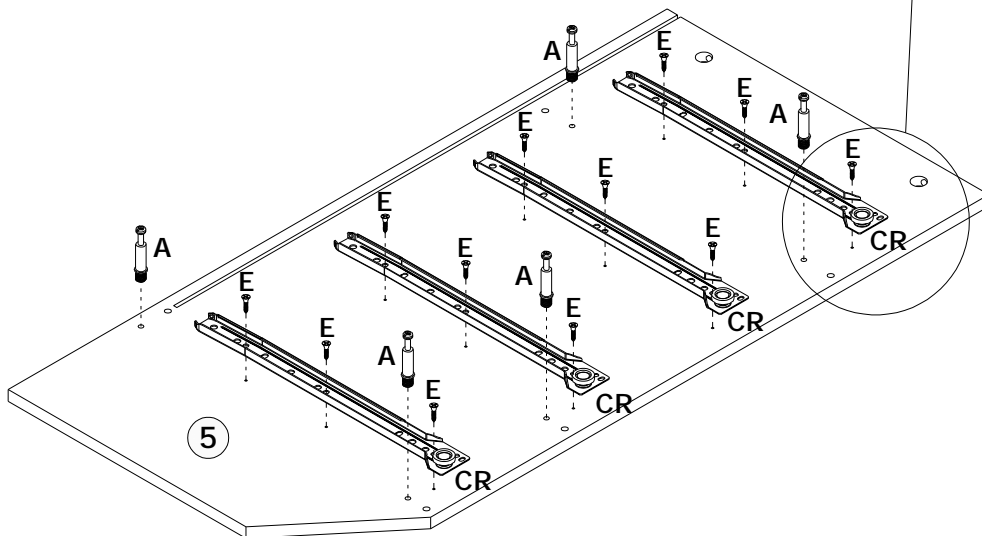
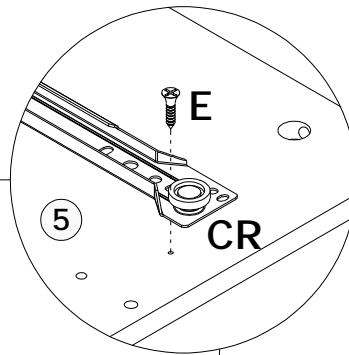
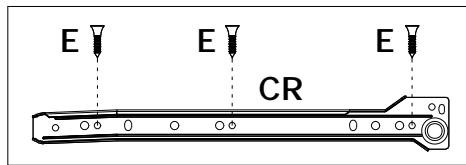
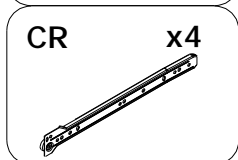
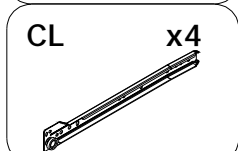
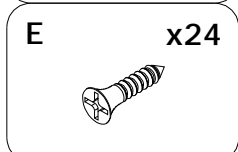
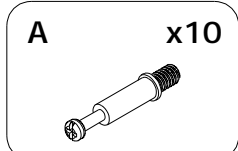
			
Gently screw cam bolt into the threaded anchor.	Insert the wood dowel halfway into hole.	Arrow must face hole	Screw the camlock firmly into locked position.

1

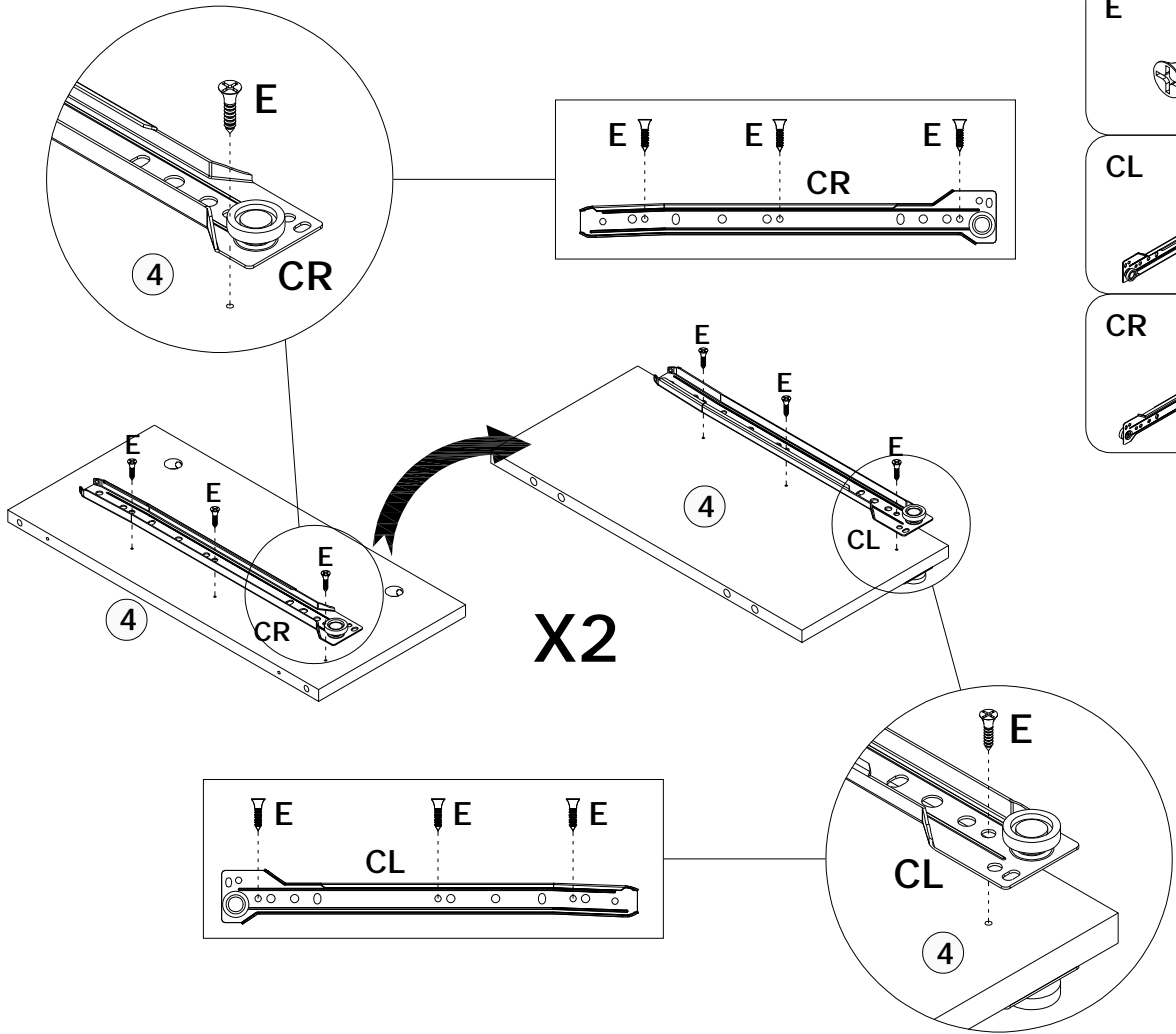


2

Only 1 pc-No.5 panel, please screwed bolt A and fix runner on one side of No. 5 panel then turn to another side to screw bolt A and fix runner.



3

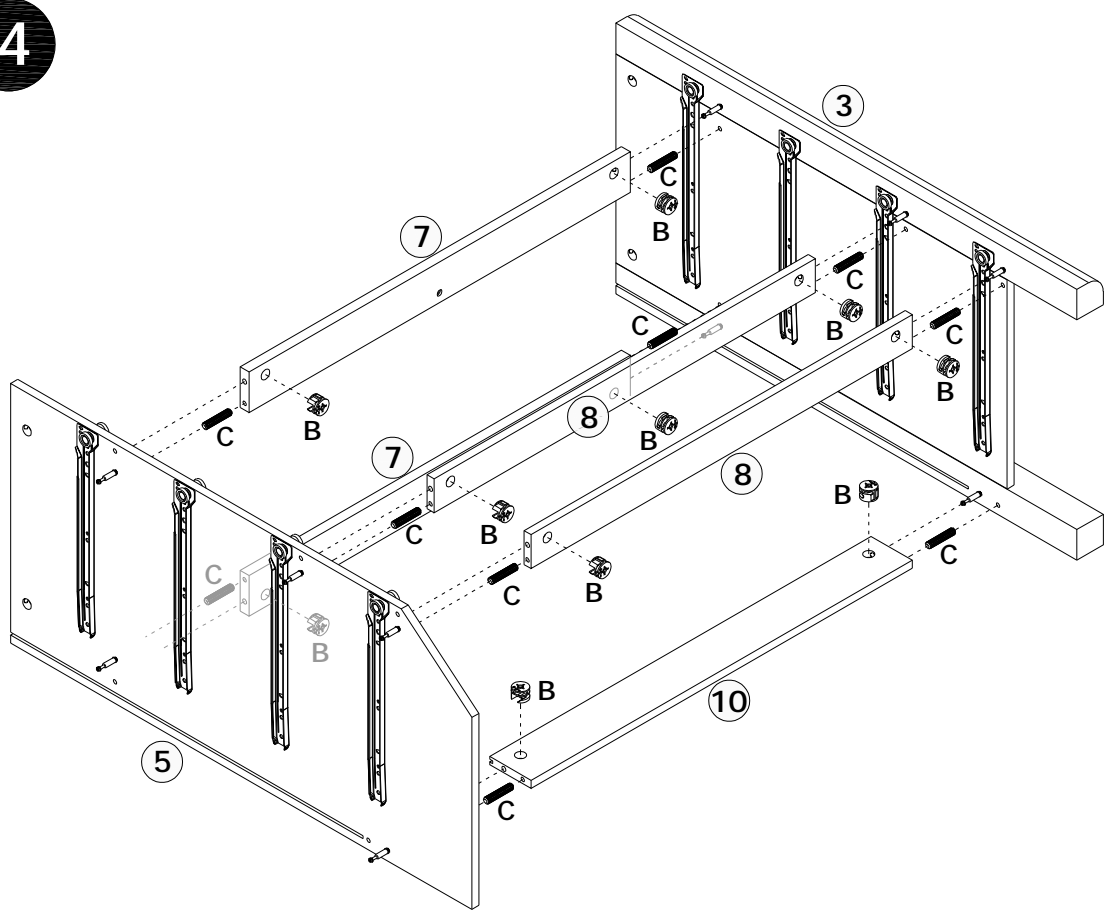


E x12

CL x2

CR x2

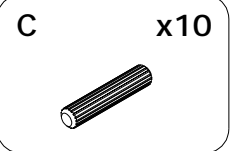
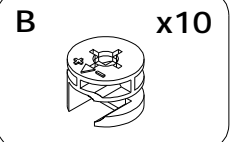
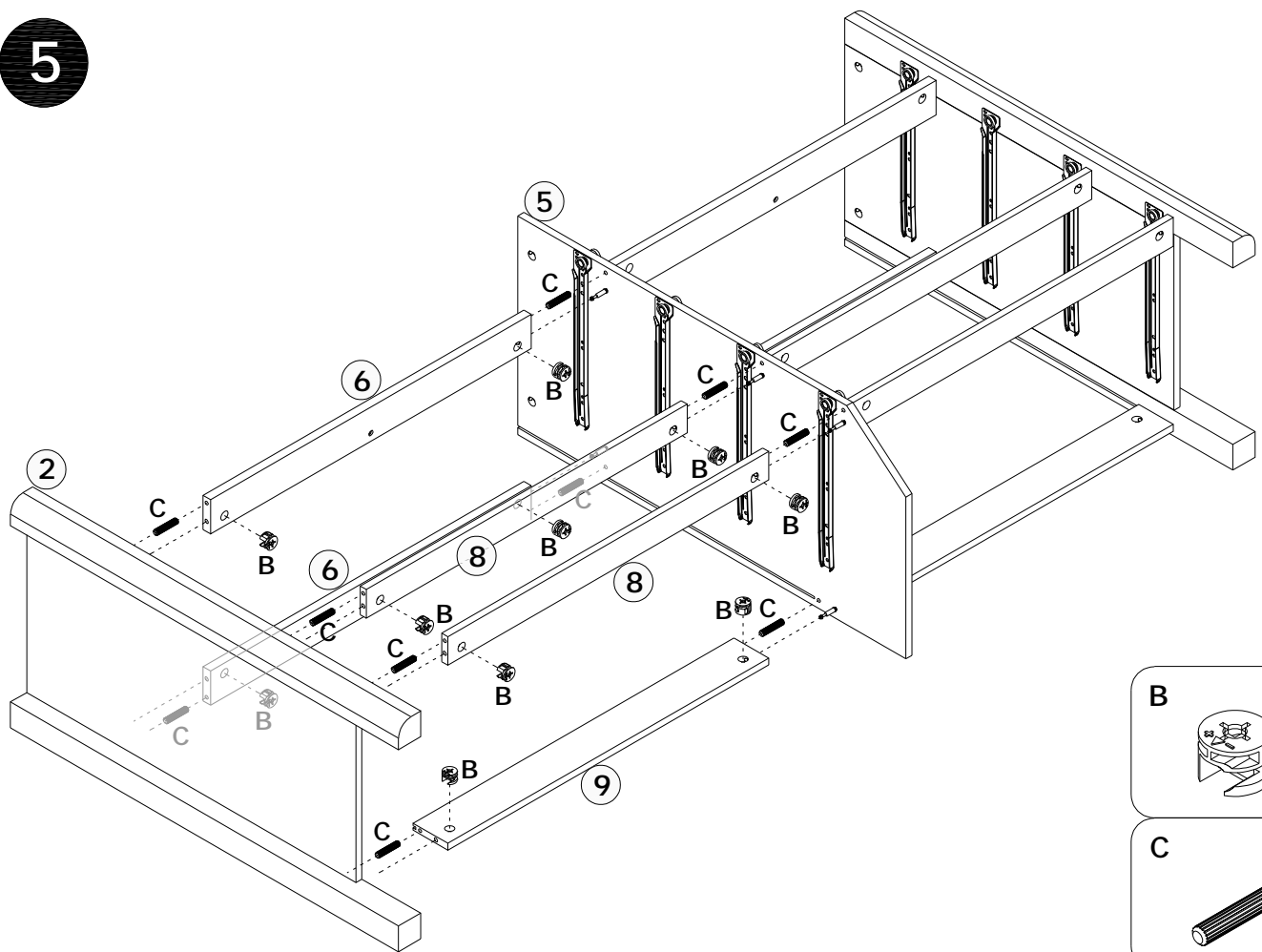
4



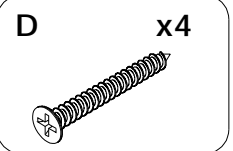
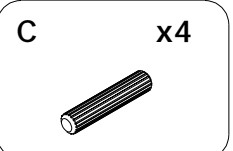
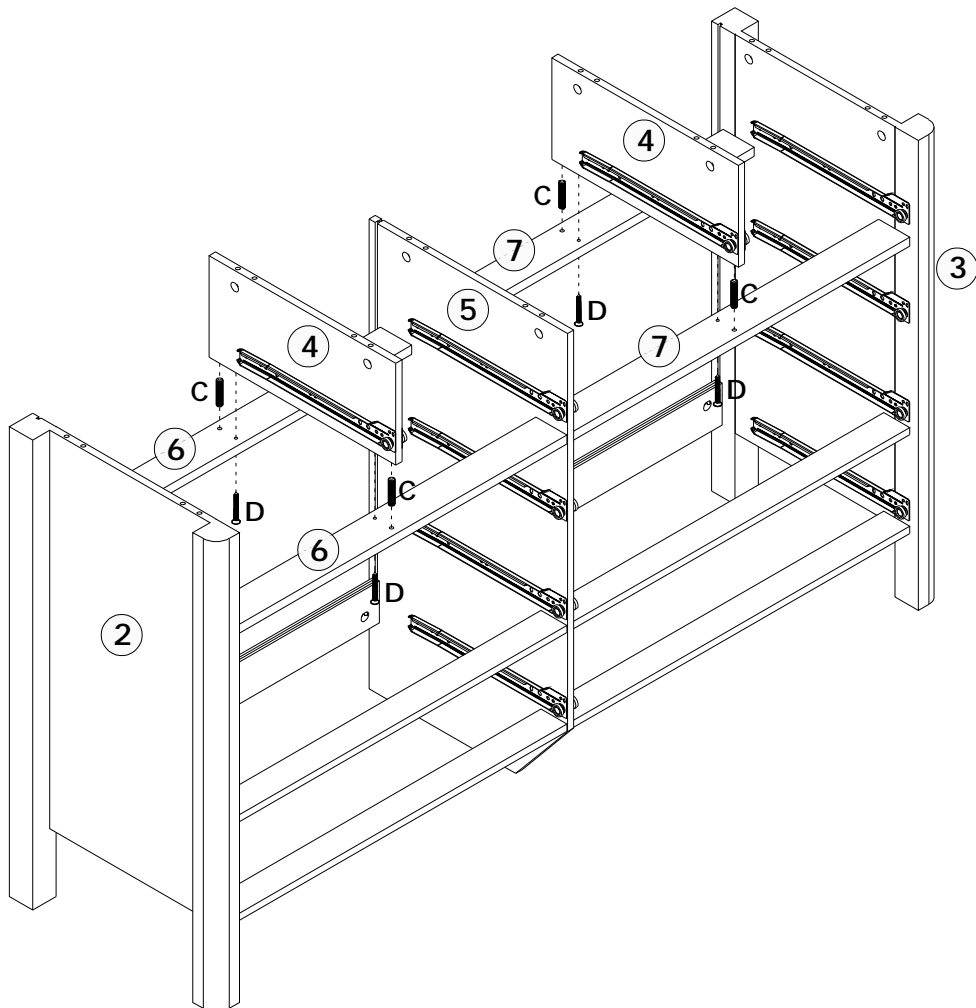
B x10

C x10

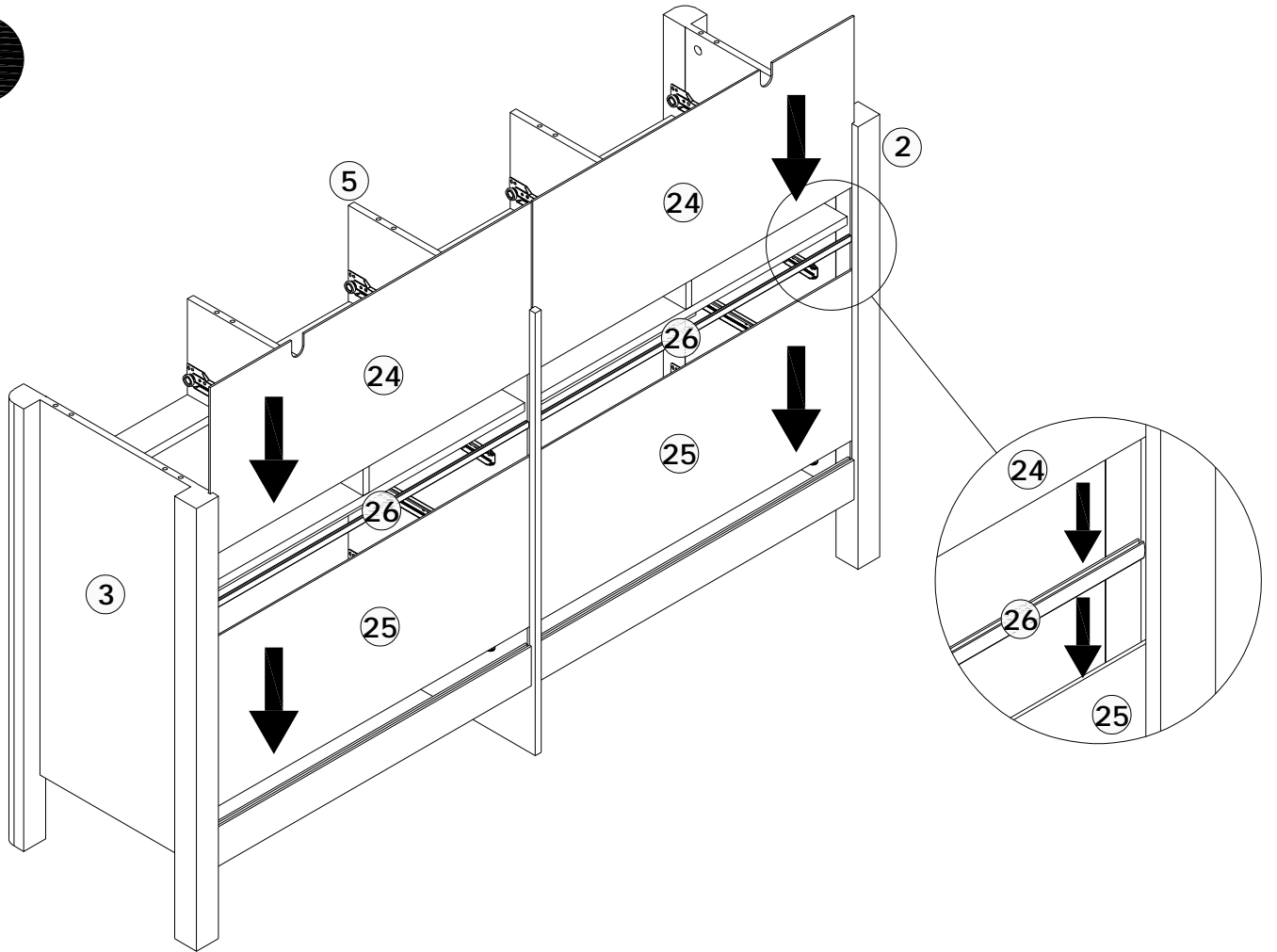
5



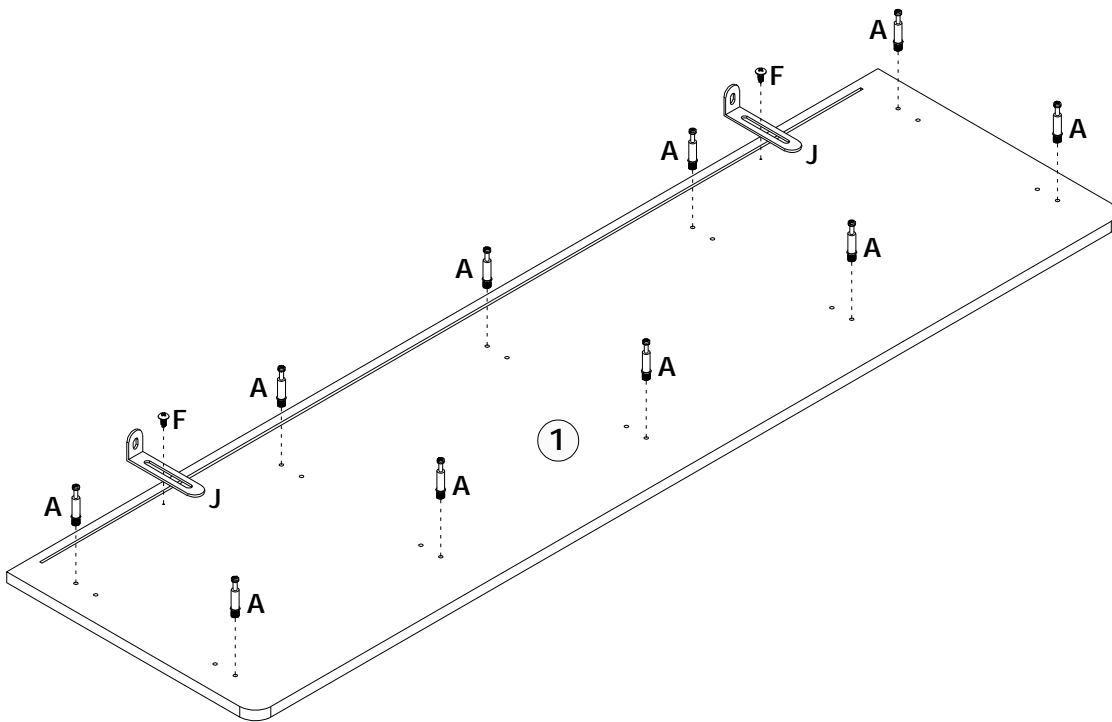
6

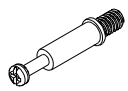
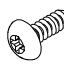
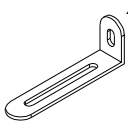


7

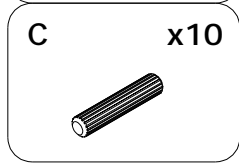
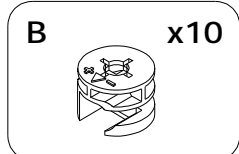
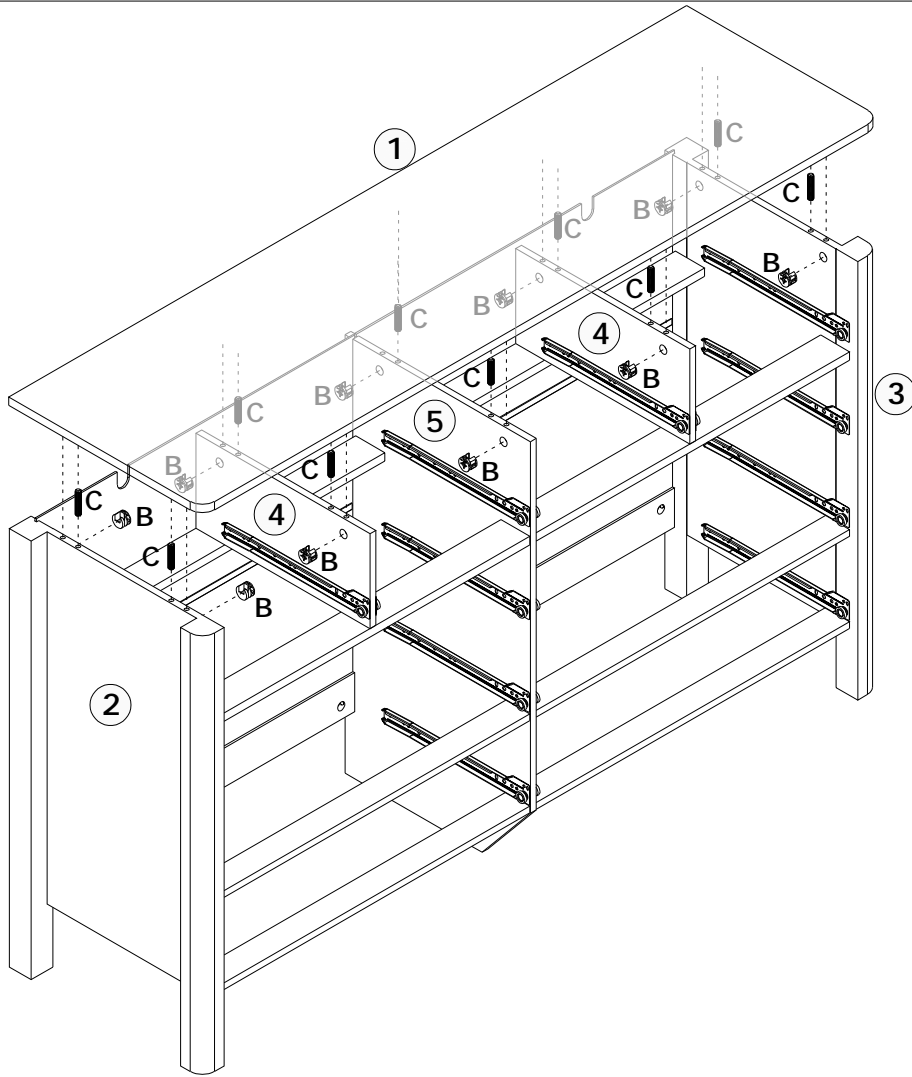


8

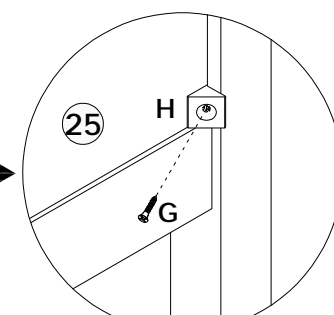
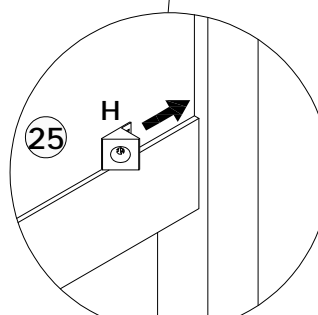
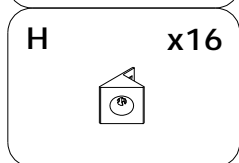
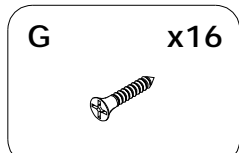
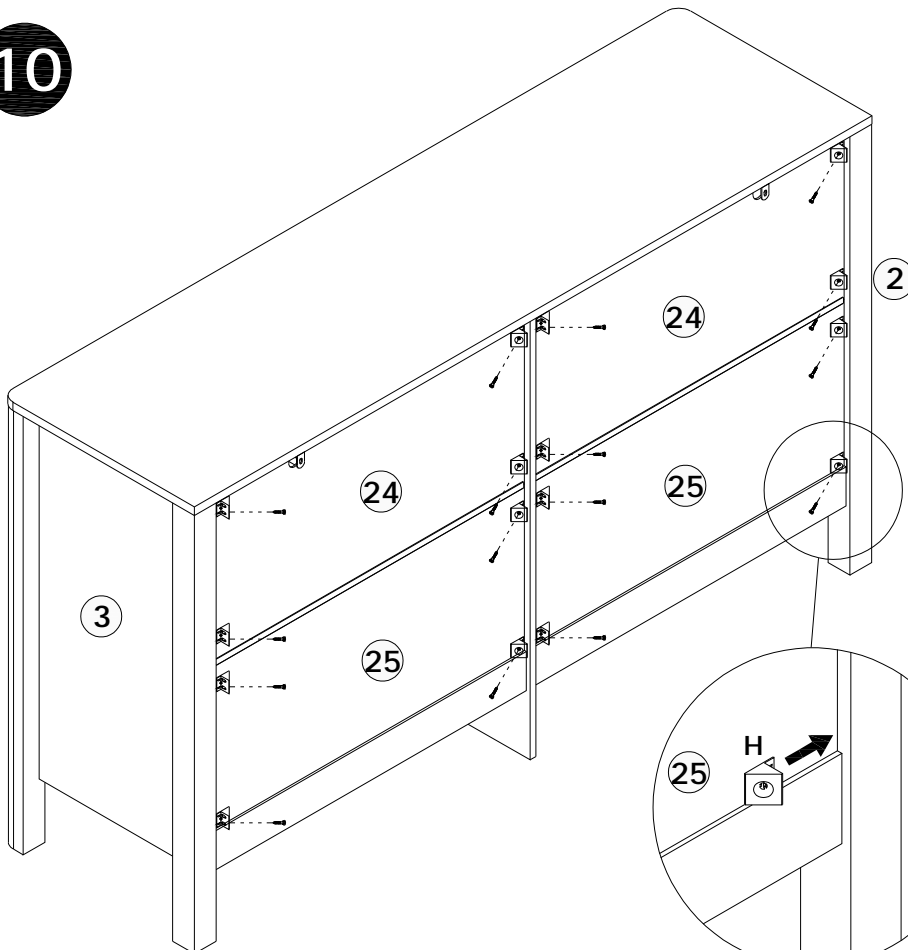


- A x10

- F x2

- J x2


9



10

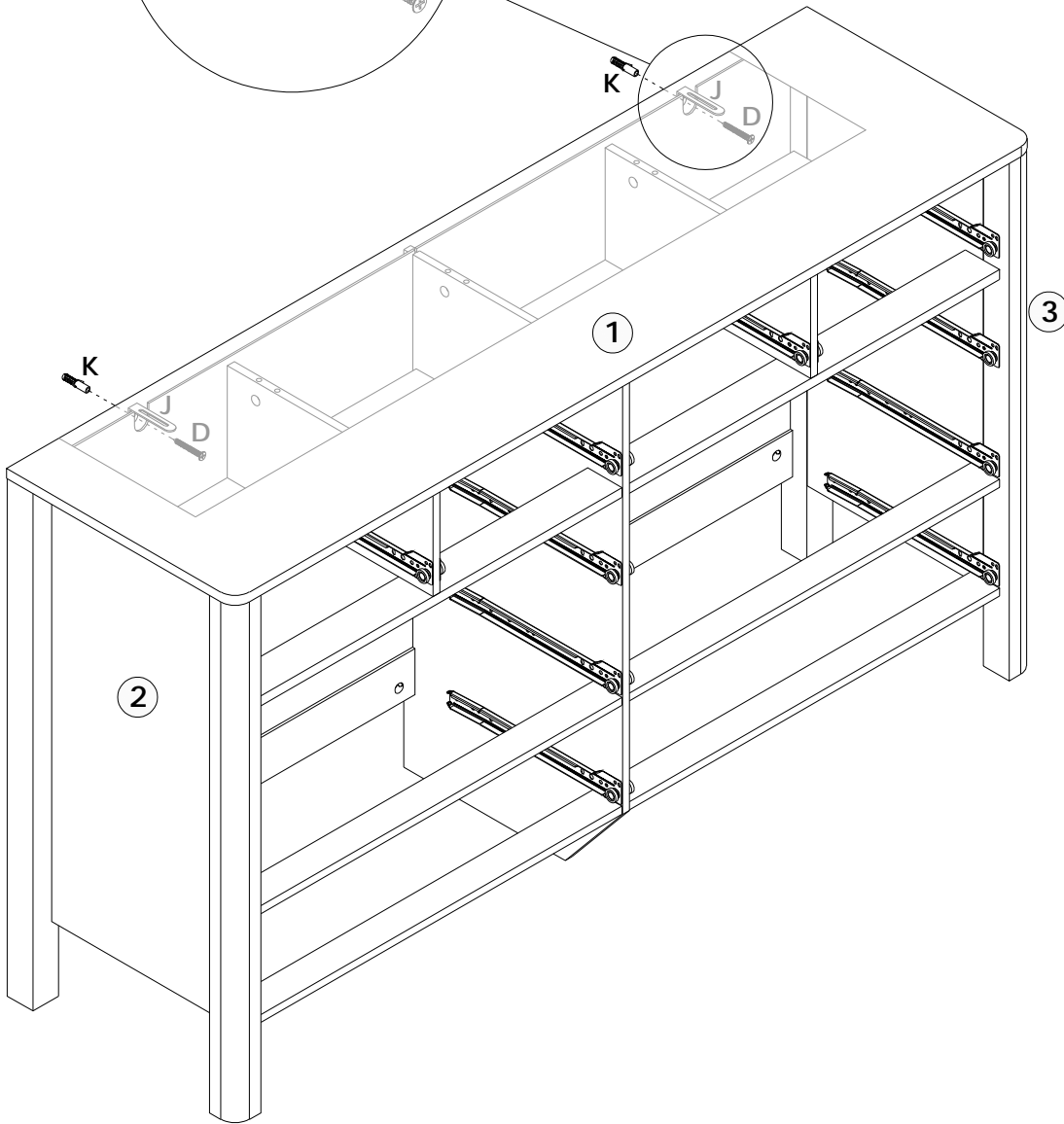
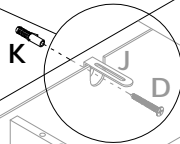
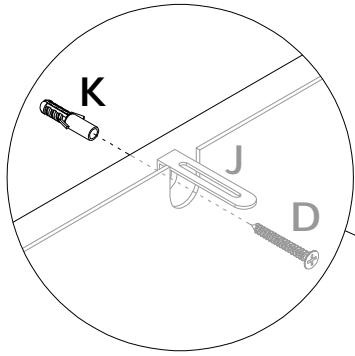
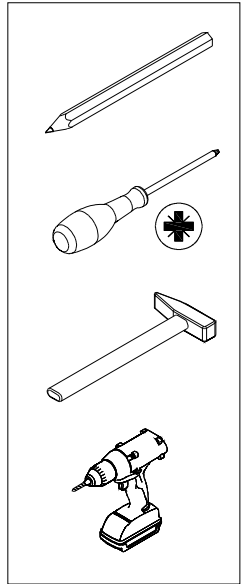
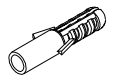


11

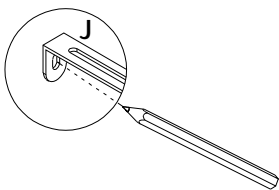
D x2



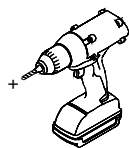
K x2



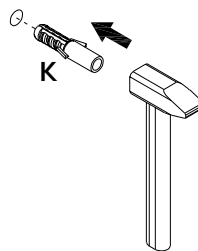
1.



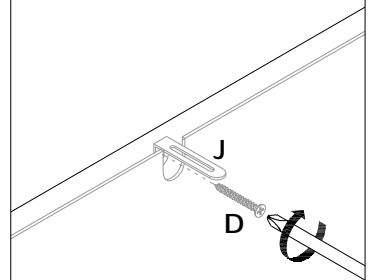
2.



3.



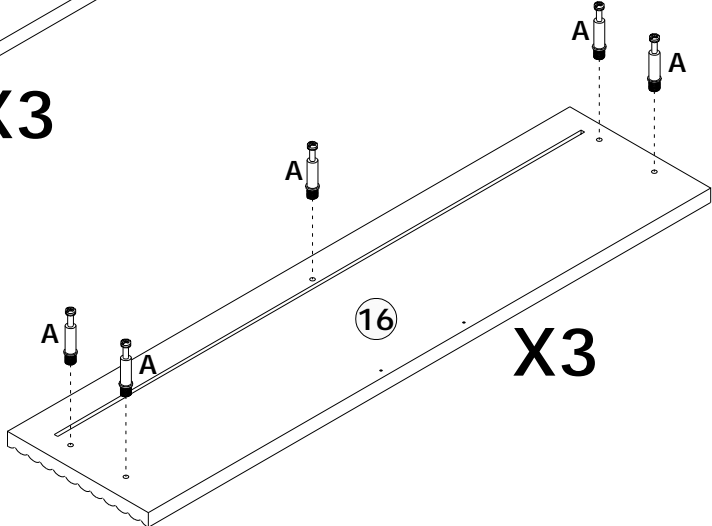
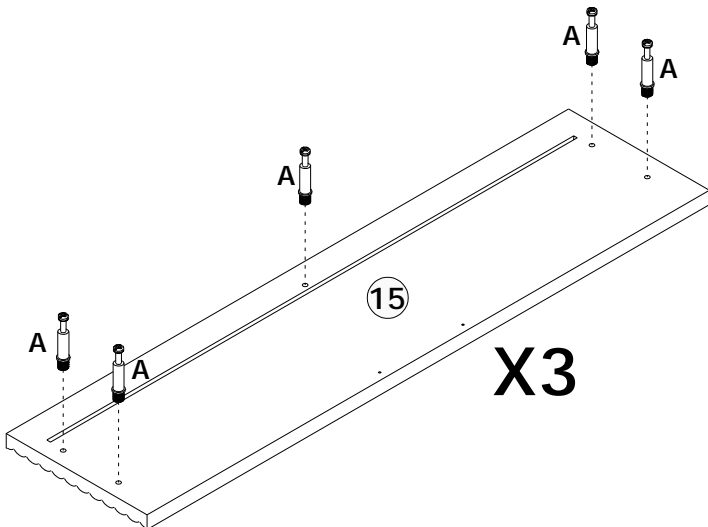
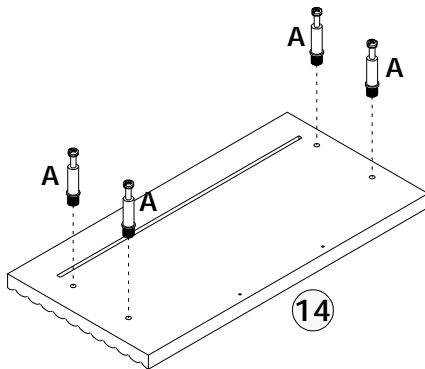
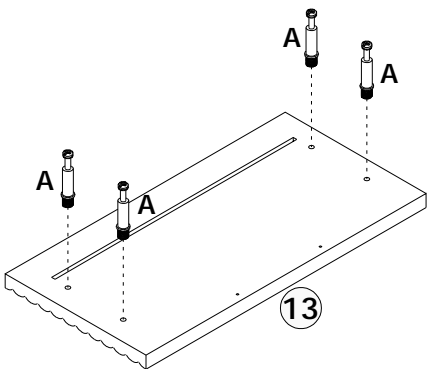
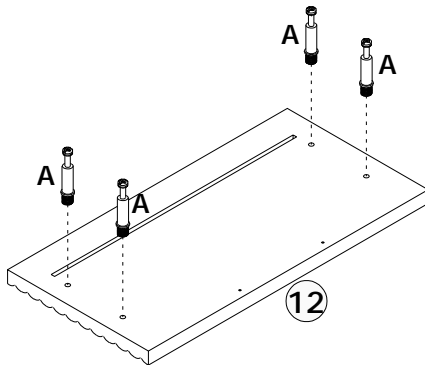
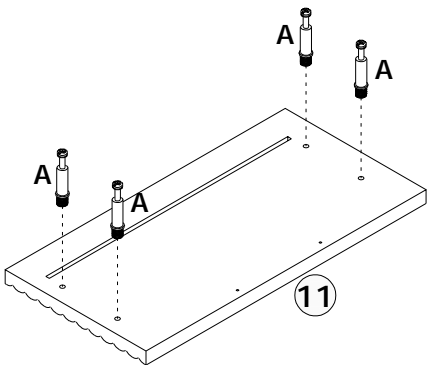
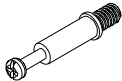
4.



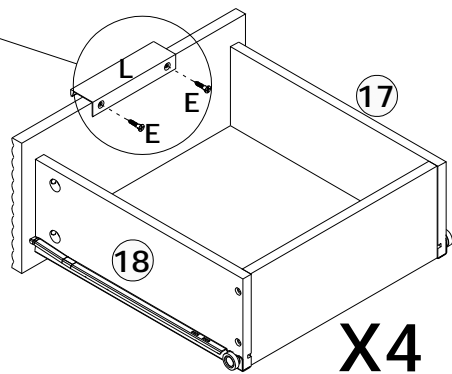
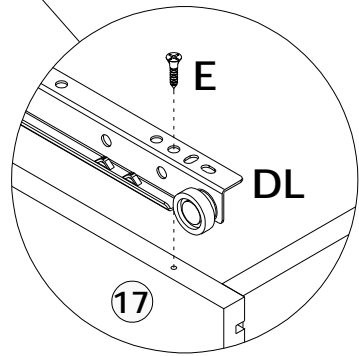
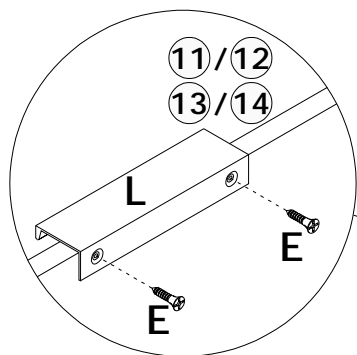
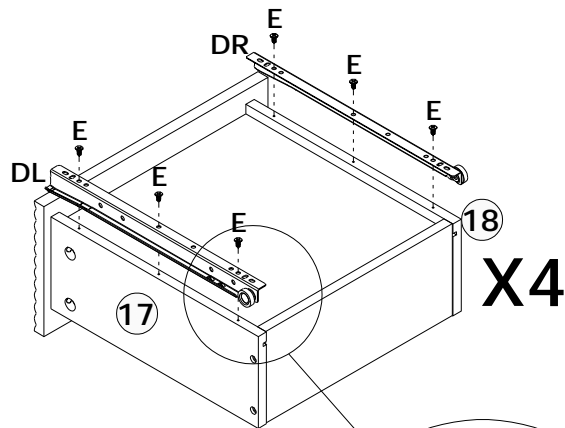
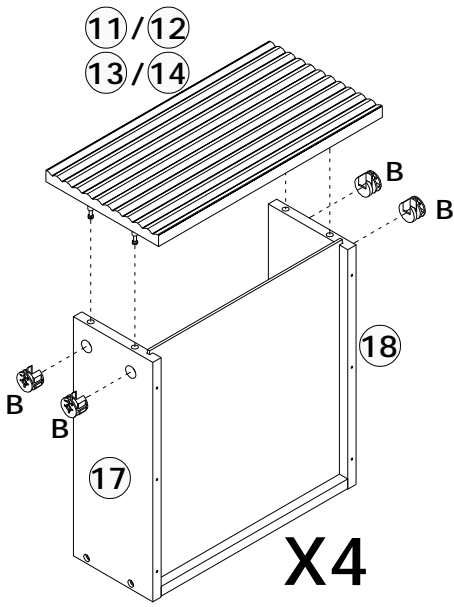
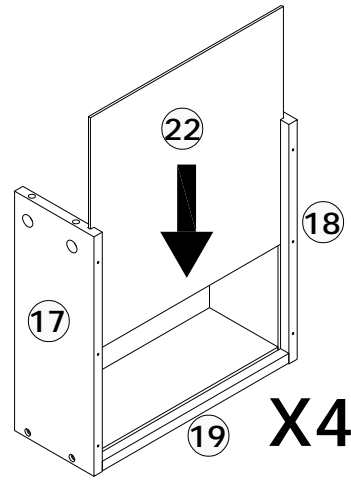
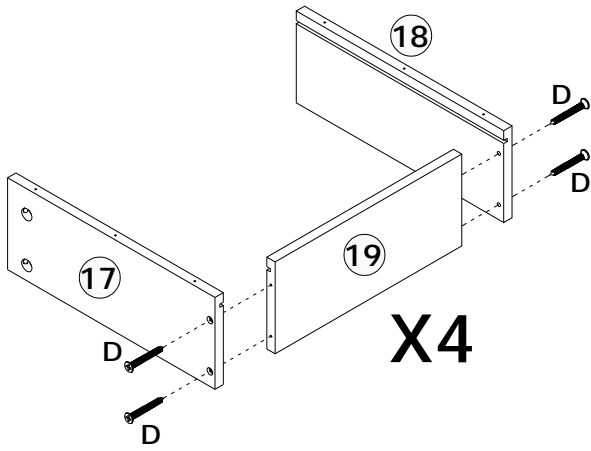
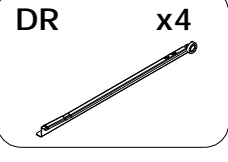
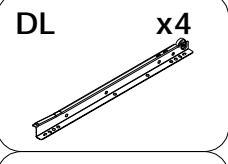
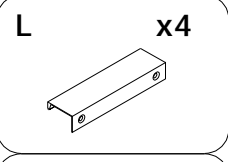
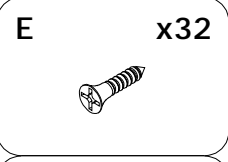
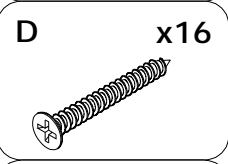
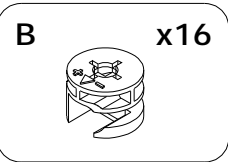
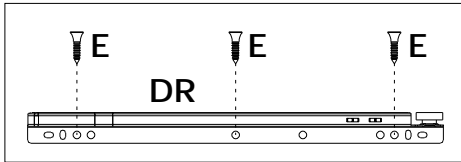
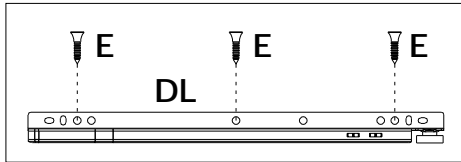
12

A

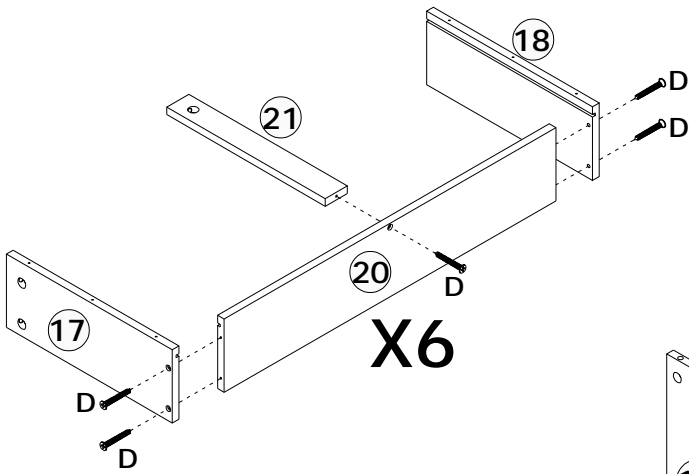
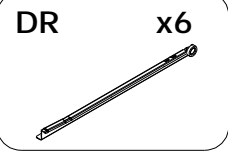
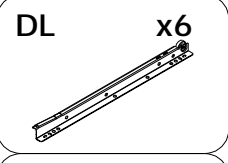
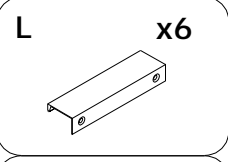
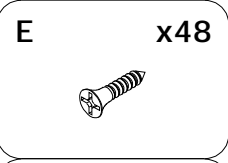
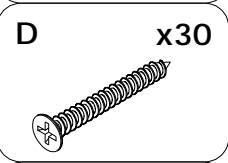
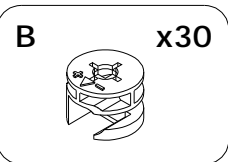
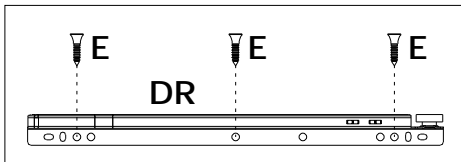
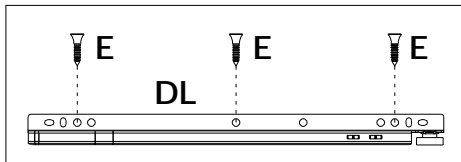
x46



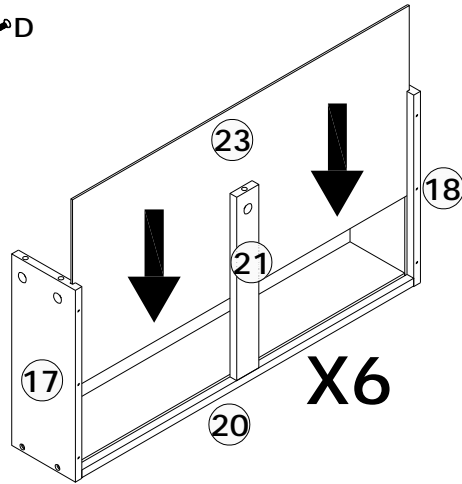
13



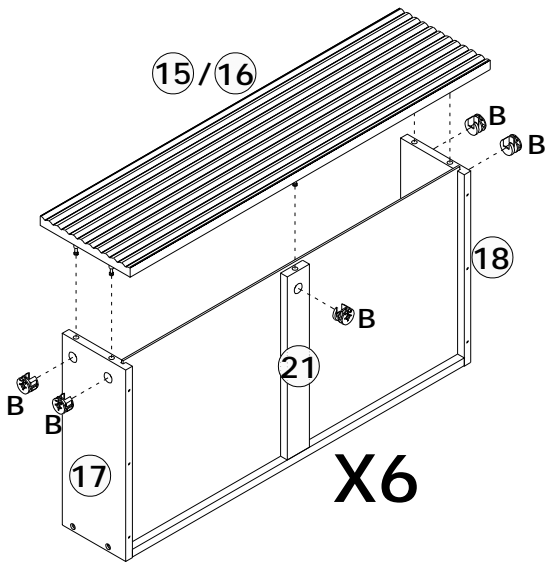
14



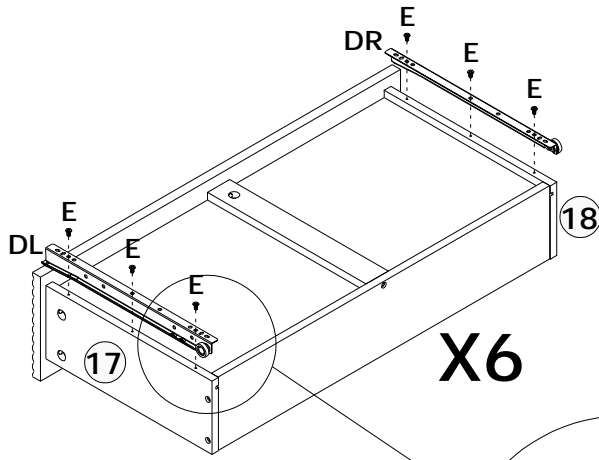
X6



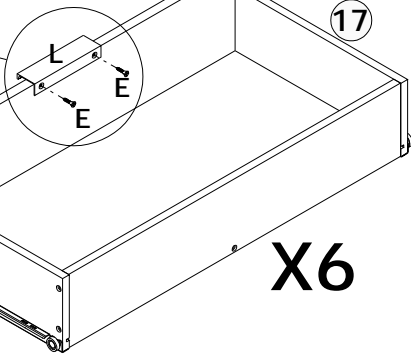
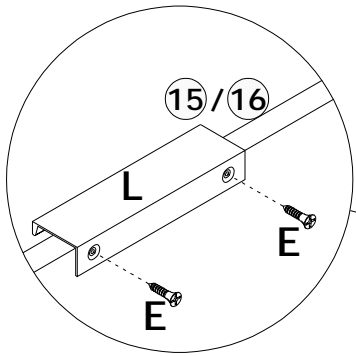
X6



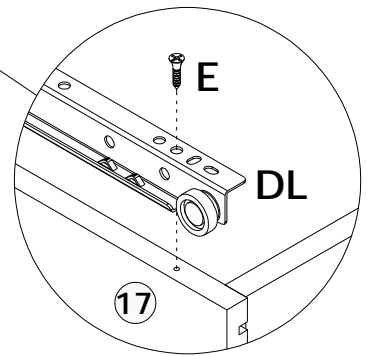
X6



X6



X6



15

