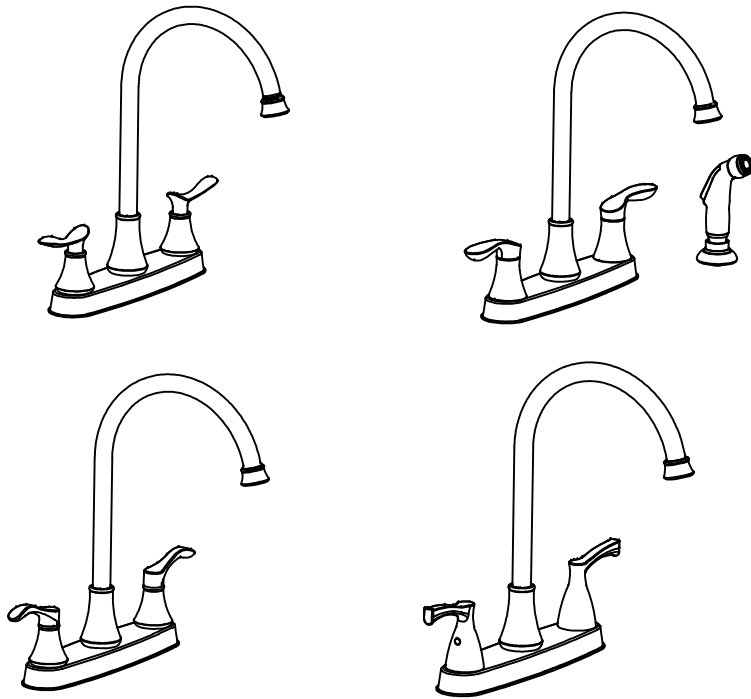


Two Handle Kitchen Bar Sink Faucet

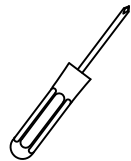
Applicable faucets (including but not limited)



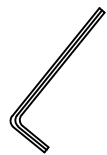
TOOLS YOU WILL NEED



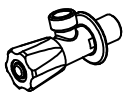
Adjustable wrench



Phillips screwdriver



Hex Wrench



Two Male Supply



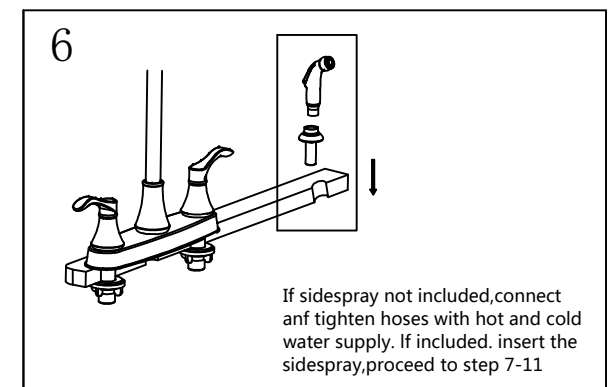
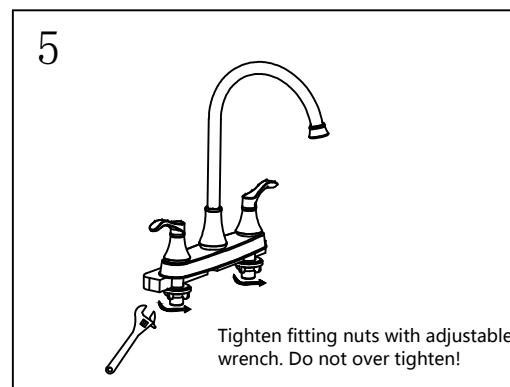
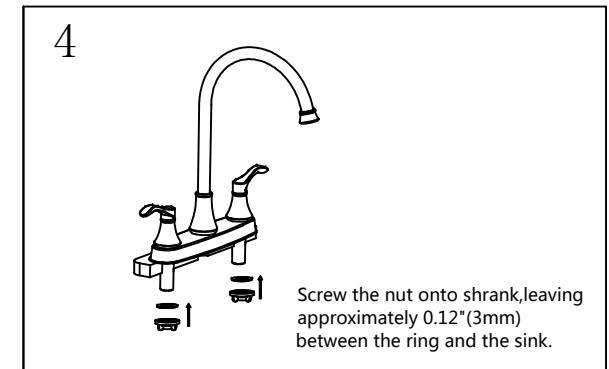
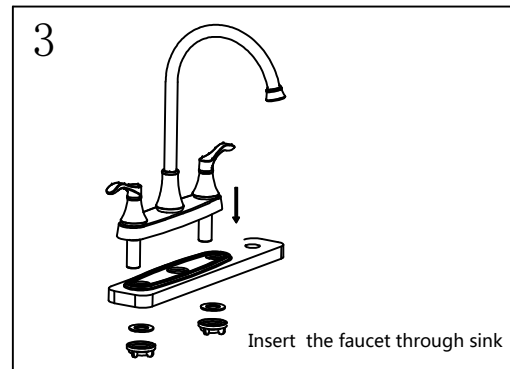
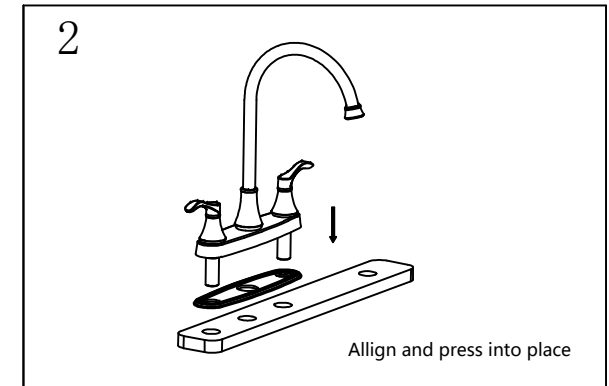
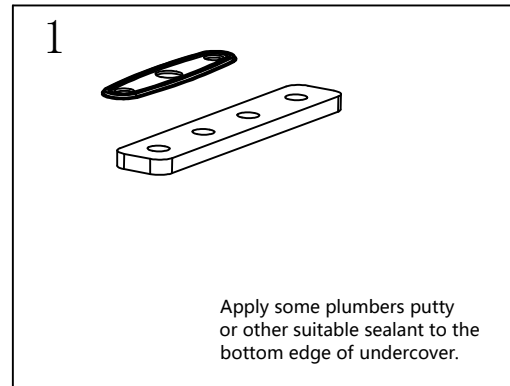
pipe tape



Silicone sealant/Putty

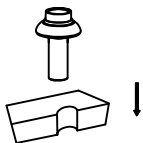
INSTALLATION

prior to installation: Shut off water supply .Remove old faucet .
Clean sink/countertop surface in preparation for new faucet



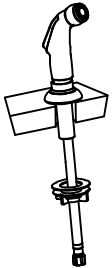
Two Handle Kitchen Bar Sink Faucet

7



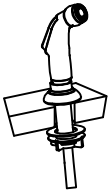
Insert the base of sidespray

8



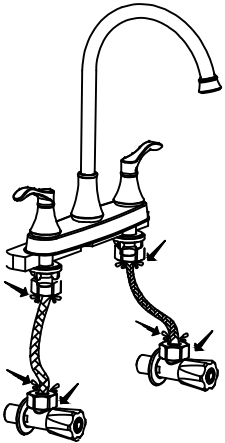
put on washer and fitting nut

9



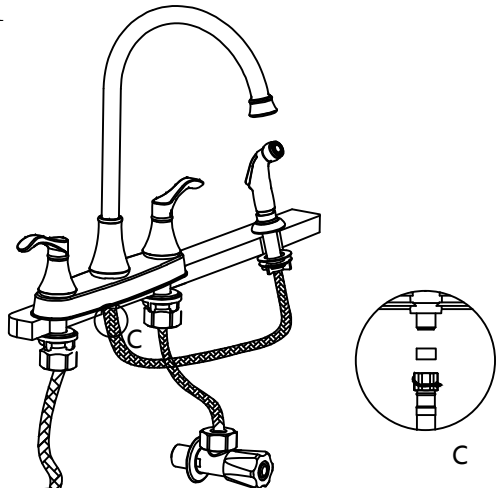
Tighten it

10



Turn on the water supplies. While rotating the handle, flush the hot and cold water for 1 minute.

11



Connect and tighten the supply hoses

12

Care and Cleaning

For best results, keep the following in mind when caring for your product:

- .Use a mild detergent such as liquid dishwashing soap and warm water for cleaning. Do not use abrasive cleaners that may scratch or dull the surface.
- .Carefully read the cleaner product label to ensure the cleaner is safe for use on the material.
- .Do not allow cleaners to sit or soak on the surface.
- .Wipe surfaces clean and rinse completely with water immediately after cleaner application. Rinse and dry any overspray that lands on nearby surfaces.

