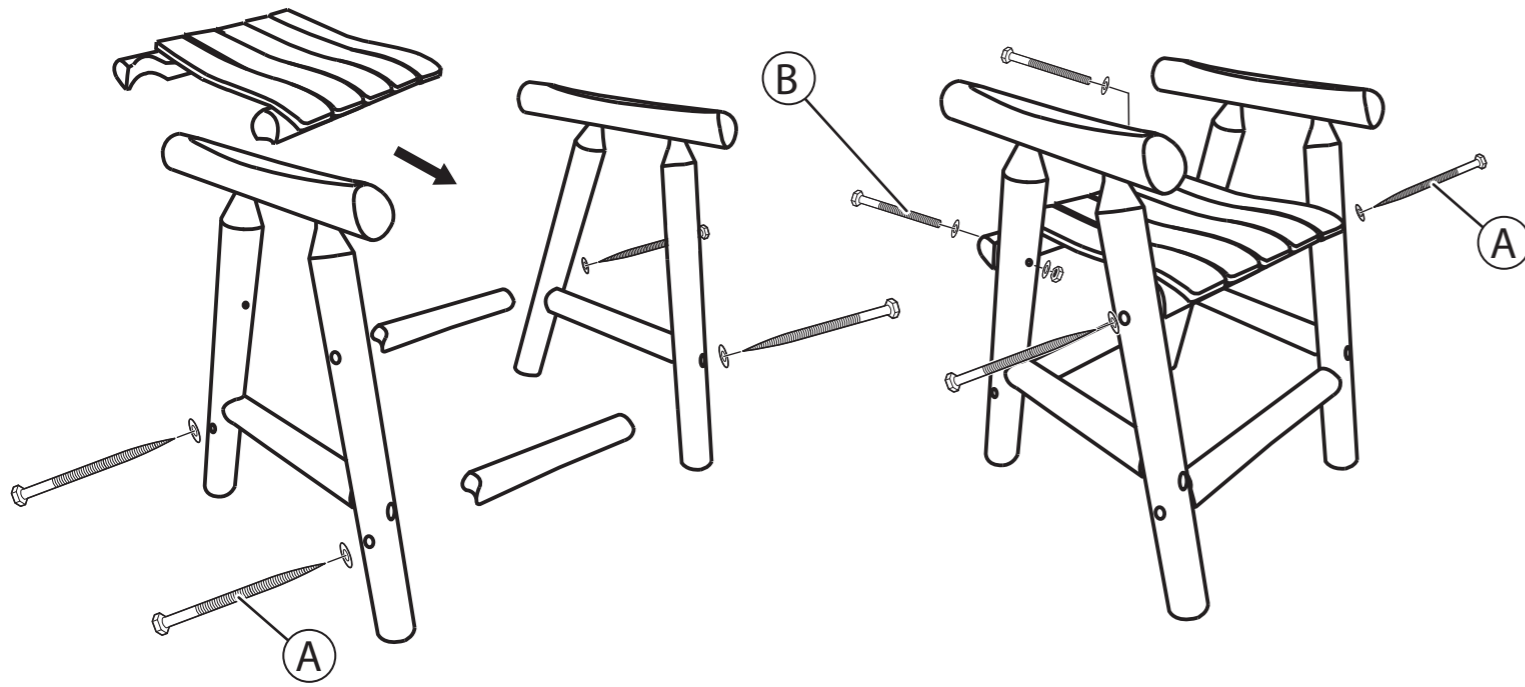
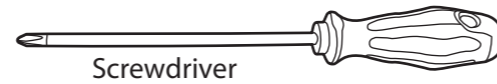


Step 2



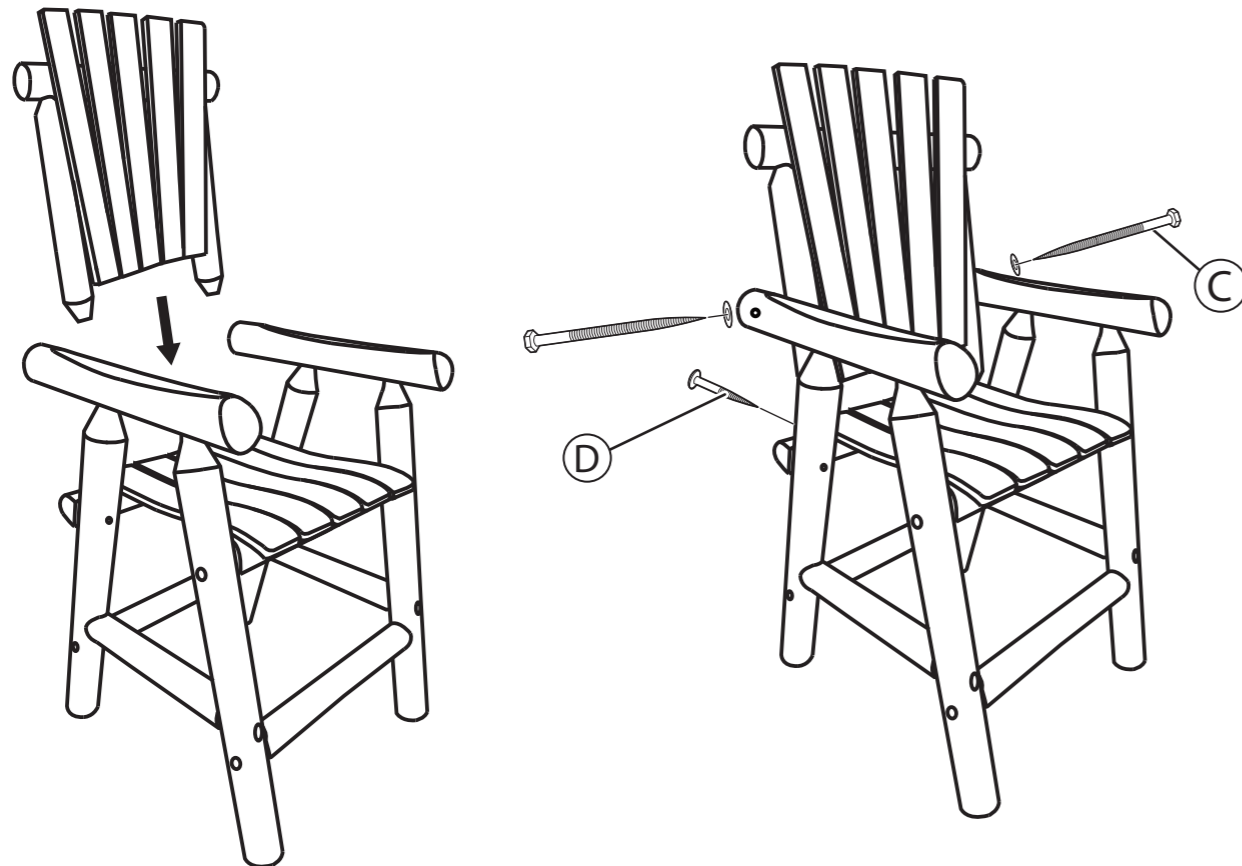
Ⓐ 6 pcs - $\Phi 0.3$ " x 5.5"

Ⓑ 2 pcs - $\Phi 0.3$ " x 5.1"



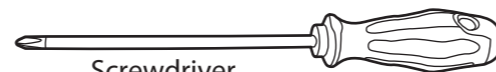
Screwdriver

Step 3



Ⓒ 2 pcs - $\Phi 0.3$ " x 3.9"

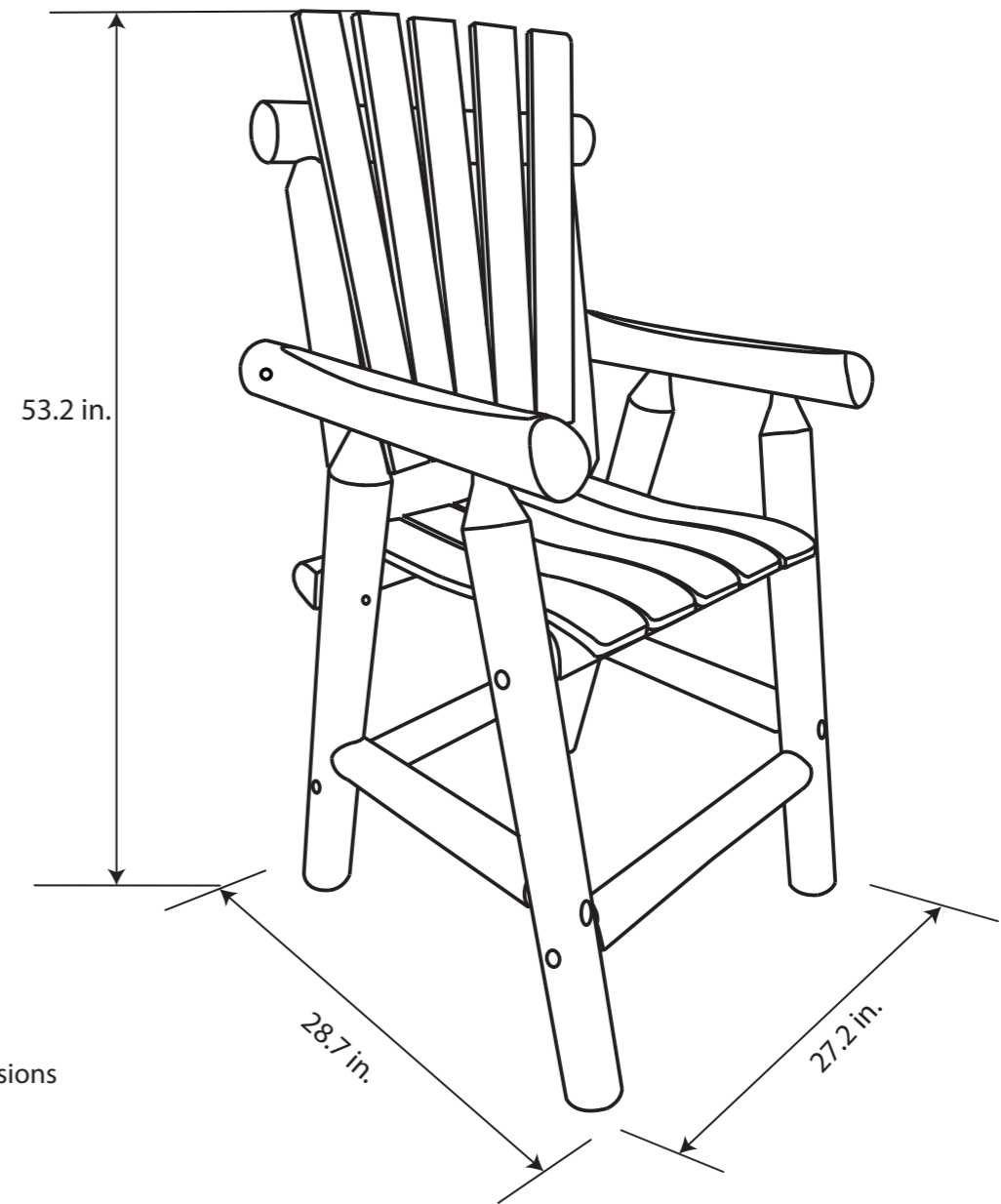
Ⓓ 4 pcs - $\Phi 0.165$ " x 1.6"



Screwdriver

RUSTIC Stained Bar Chair

INSTRUCTION MANUAL



Assembled Dimensions

Approximate assembly time: **20 Minutes**

People for assembly:



Required assembly space:
Floor area 9 ft. x 9 ft. (3 m x 3 m)



Required assembly tools (Not included):



Rubber mallet



Screwdriver

CAUTION: Hand tools only, use of power tools could damage product.

PARTS LIST

No.	Description	Quantity	No.	Description	Quantity
1	Front Vertical Log	2	6	Seat Panel	1
2	Back Vertical Log	2	7	Back Panel	1
3	Lower Support Log	2			
4	Side Support Log	2			
5	Arm Rest	2			

TIPS BEFORE YOU START!

1. Ensure that all parts are present prior to assembly.
2. Check all packing material carefully before discarding, as some parts may be encased in the packing material.
3. For ease and speed of assembly, it is recommended that prior to each step all required parts are identified.
4. Ensure that you have sufficient space and people (as indicated on page 1) to assemble product safely.
5. During assembly take care not to over-tighten any fittings, as this may damage the product.

CARE AND MAINTENANCE

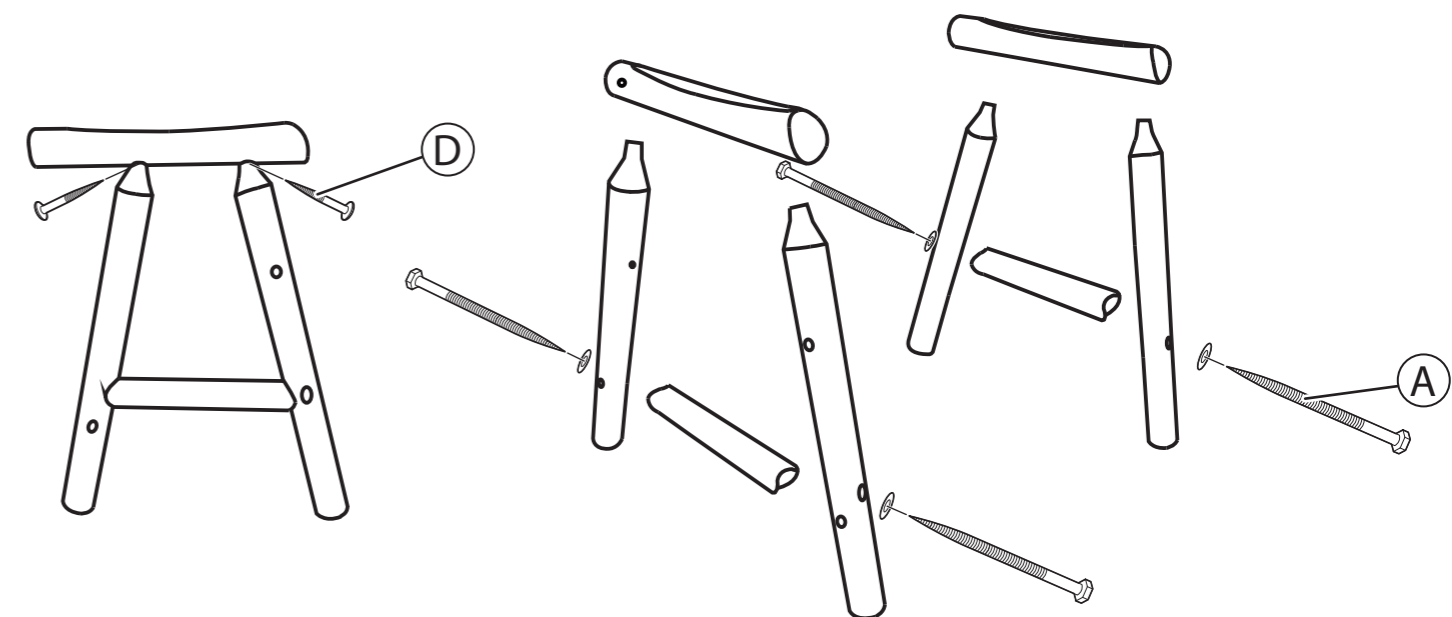
- For domestic and outdoor use.
- Periodically check all fittings and re-tighten as necessary.
- Do not stand on unit.
- This product should only be used on firm, level ground.
- Checking (cracking that runs the length of the log) is natural and does not effect strength.

WEIGHT LIMIT

Rocker: 500 lb. (226 kg.)

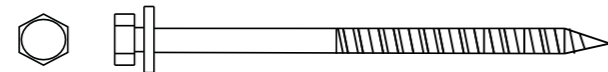
ASSEMBLY INSTRUCTIONS

Step 2

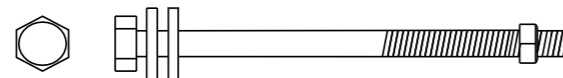


HARDWARE LISTS

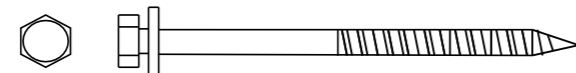
(A) 10 pcs - $\Phi 0.3$ " x 5.5"



(B) 2 pcs - $\Phi 0.3$ " x 5.1"



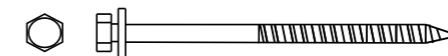
(C) 2 pcs - $\Phi 0.3$ " x 3.9"



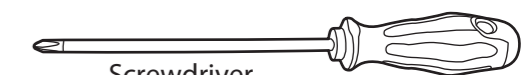
(D) 10 pcs - $\Phi 0.165$ " x 1.6"



(A) 4 pcs - $\Phi 0.3$ " x 5.5"



(D) 4 pcs - $\Phi 0.165$ " x 1.6"



Screwdriver