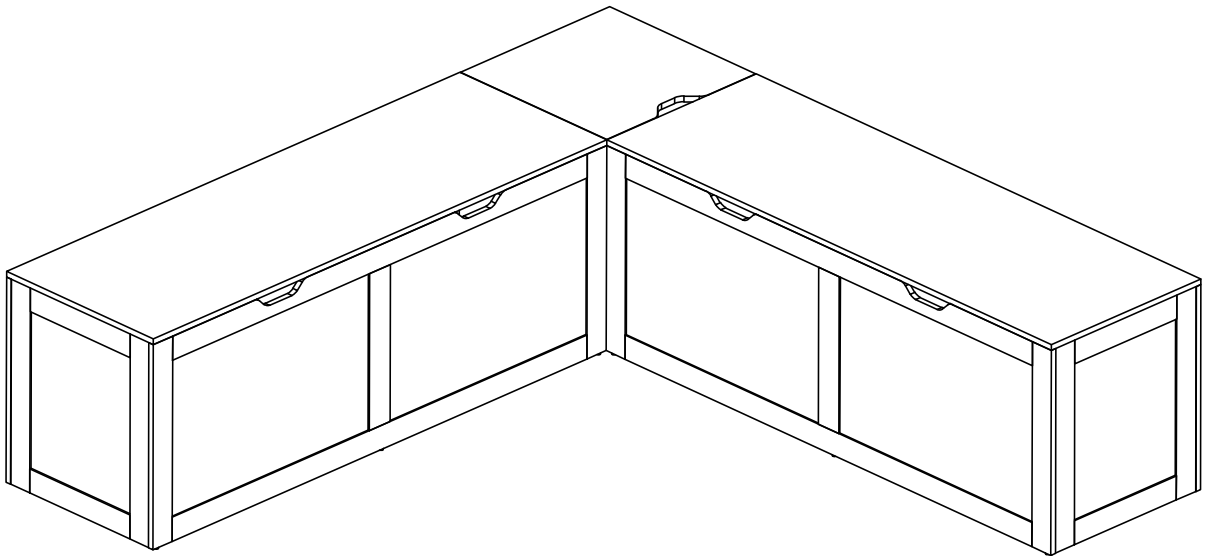


L-Shaped Corner Stool

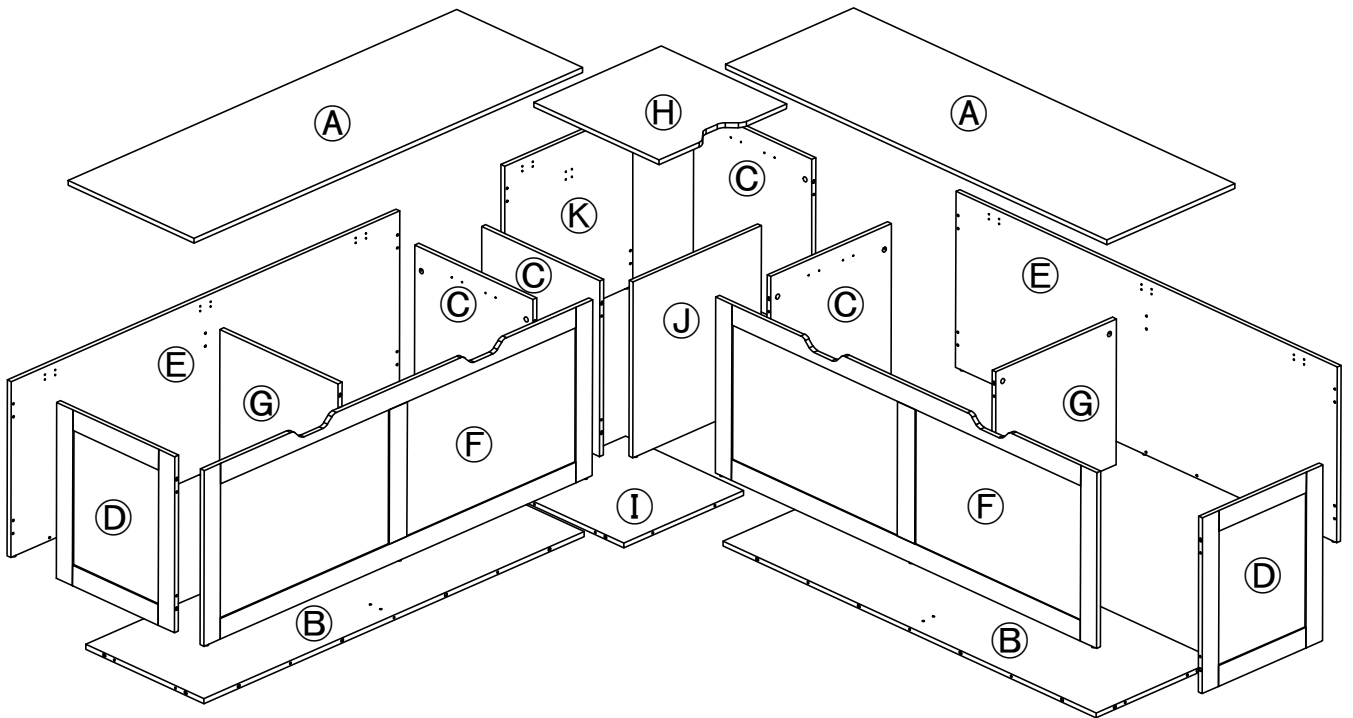
INSTRUCTION



Part of the steps suggest
two people install

Main Components

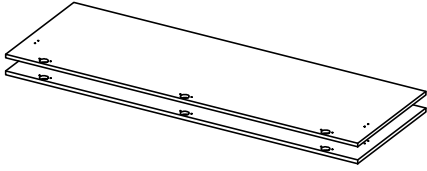
Please check you have all the parts listed below



Component Panels & Part List

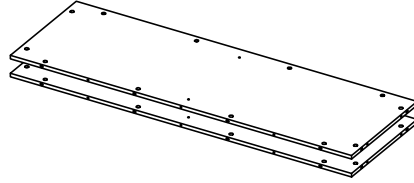
Please check you have all the panels listed below

Ⓐ



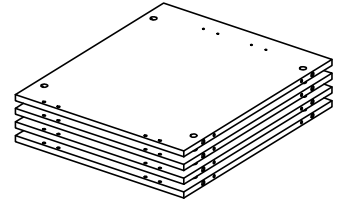
2PCS

Ⓑ



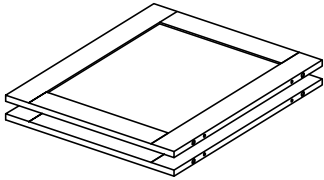
2PCS

Ⓒ



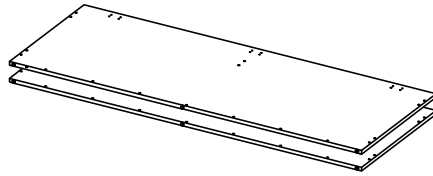
4PCS

Ⓓ



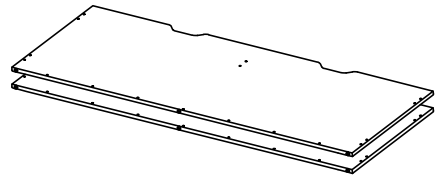
2PCS

Ⓔ



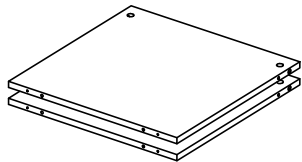
2PCS

Ⓕ



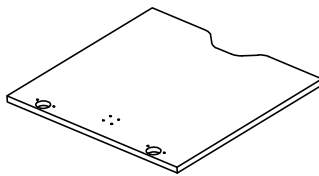
2PCS

Ⓖ



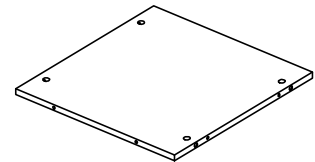
2PCS

Ⓕ



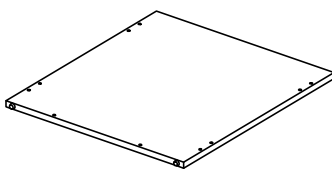
1PC

Ⓖ



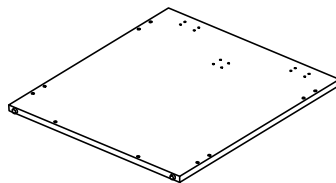
1PC

Ⓖ



1PC

Ⓖ

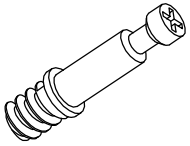


1PC

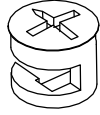
Fixings, Fittings And Tools

Please check all the fittings listed below

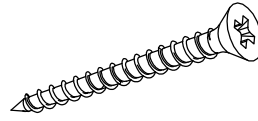
Note: The quantities below are the correct amount to complete the assembly. In some case more fittings may be supplied than be required.



① Ø6*L27mm
56+1PCS



② Ø12mm
56+1PCS



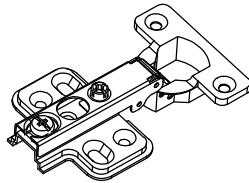
③ Ø4*38mm
4PCS



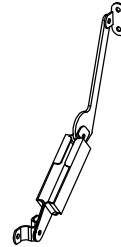
④ Ø4*12mm
72+2PCS



⑤ Ø5*30mm
60+1PCS



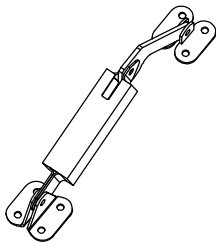
⑥ 8PCS



⑦ 2PCS



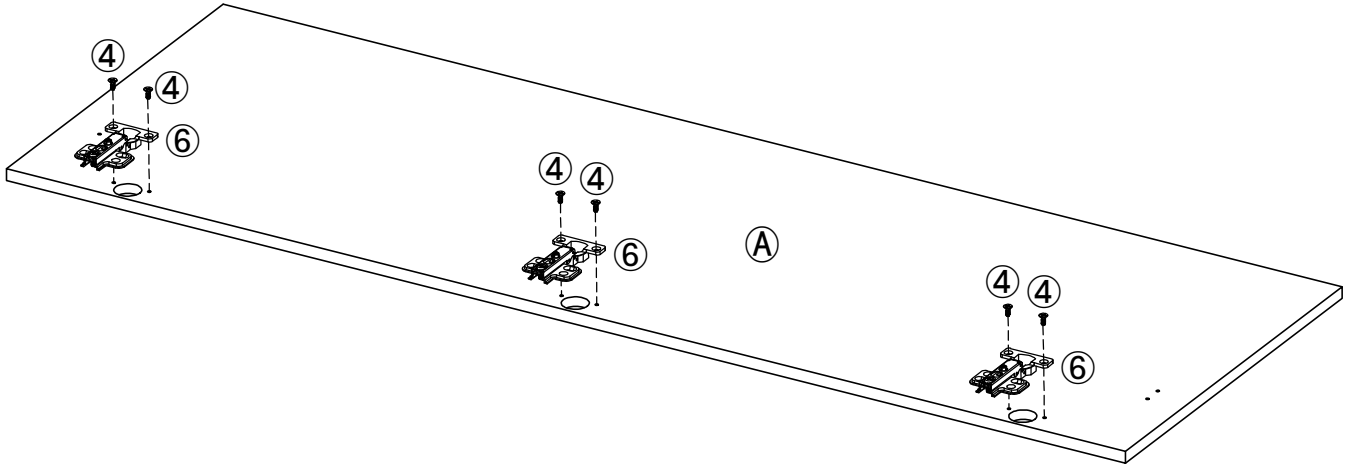
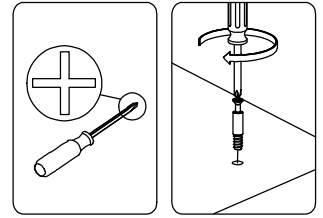
⑧ 2PCS



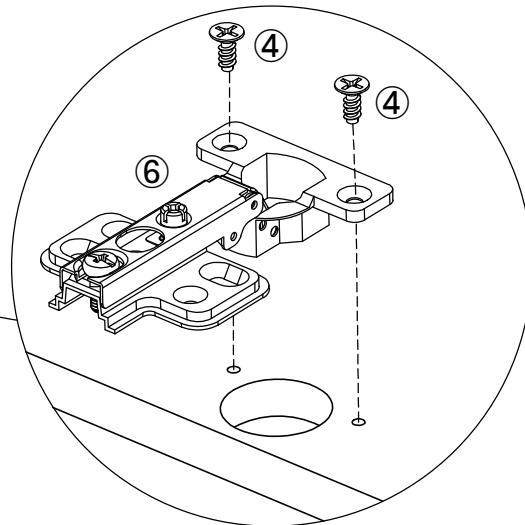
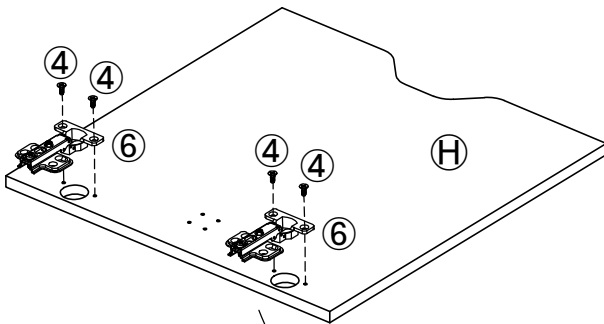
⑨ 1PC

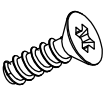
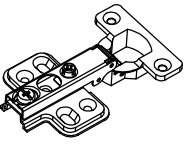
Assembly Step

Step 1



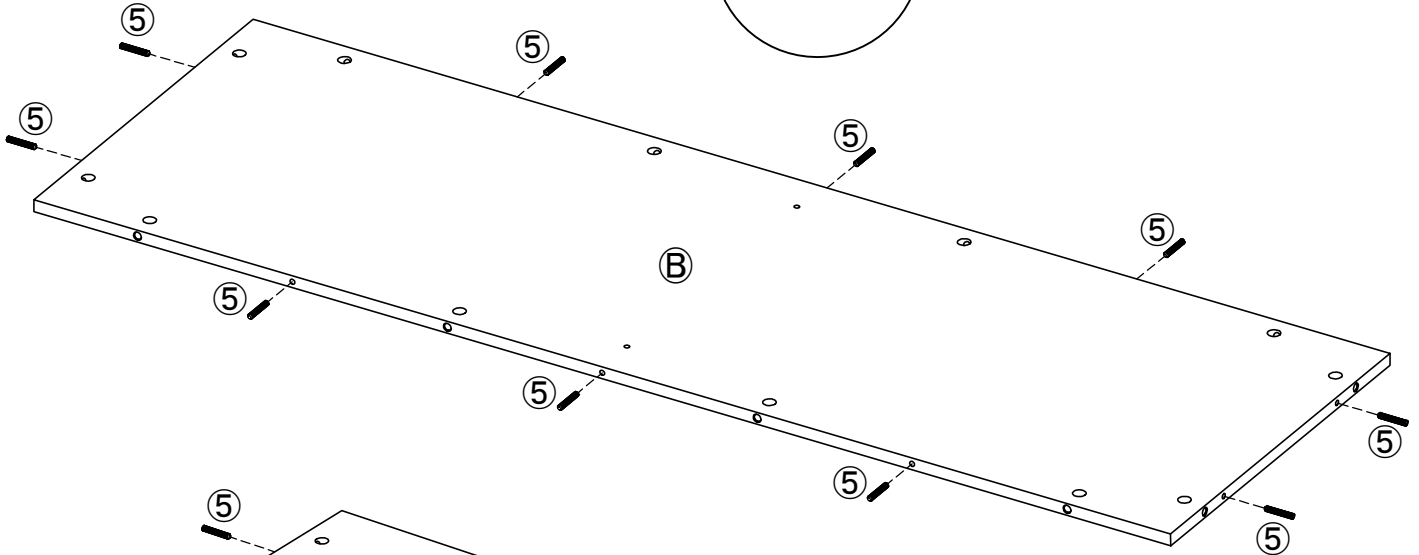
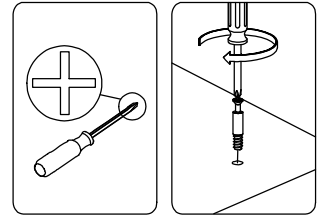
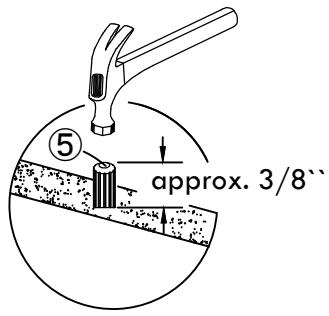
X 2



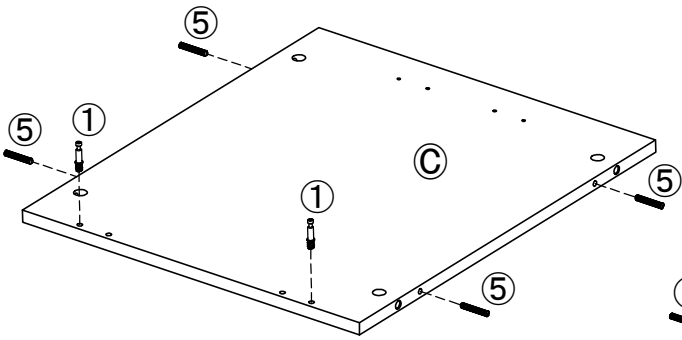
	④ x16
	⑥ x 8

Assembly Step

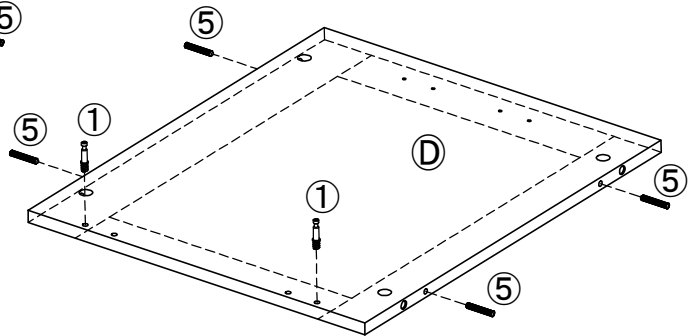
Step 2



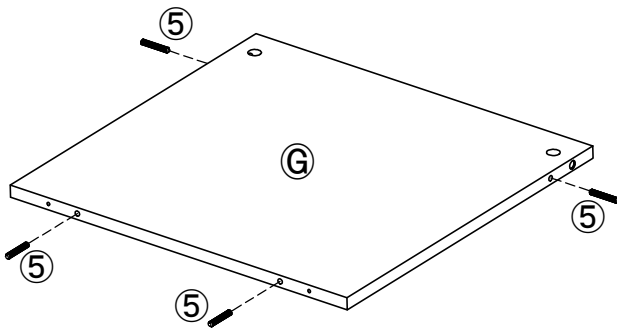
X 2



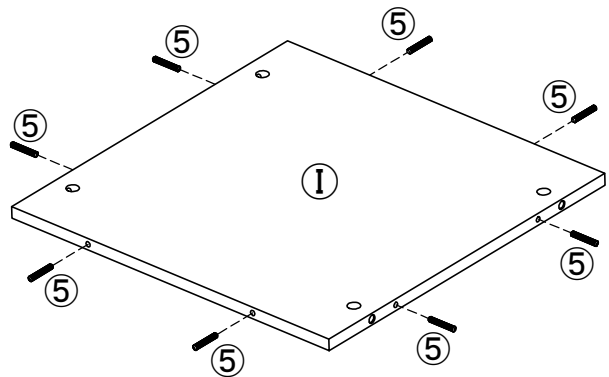
X 4



X 2



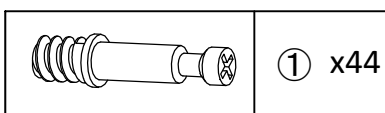
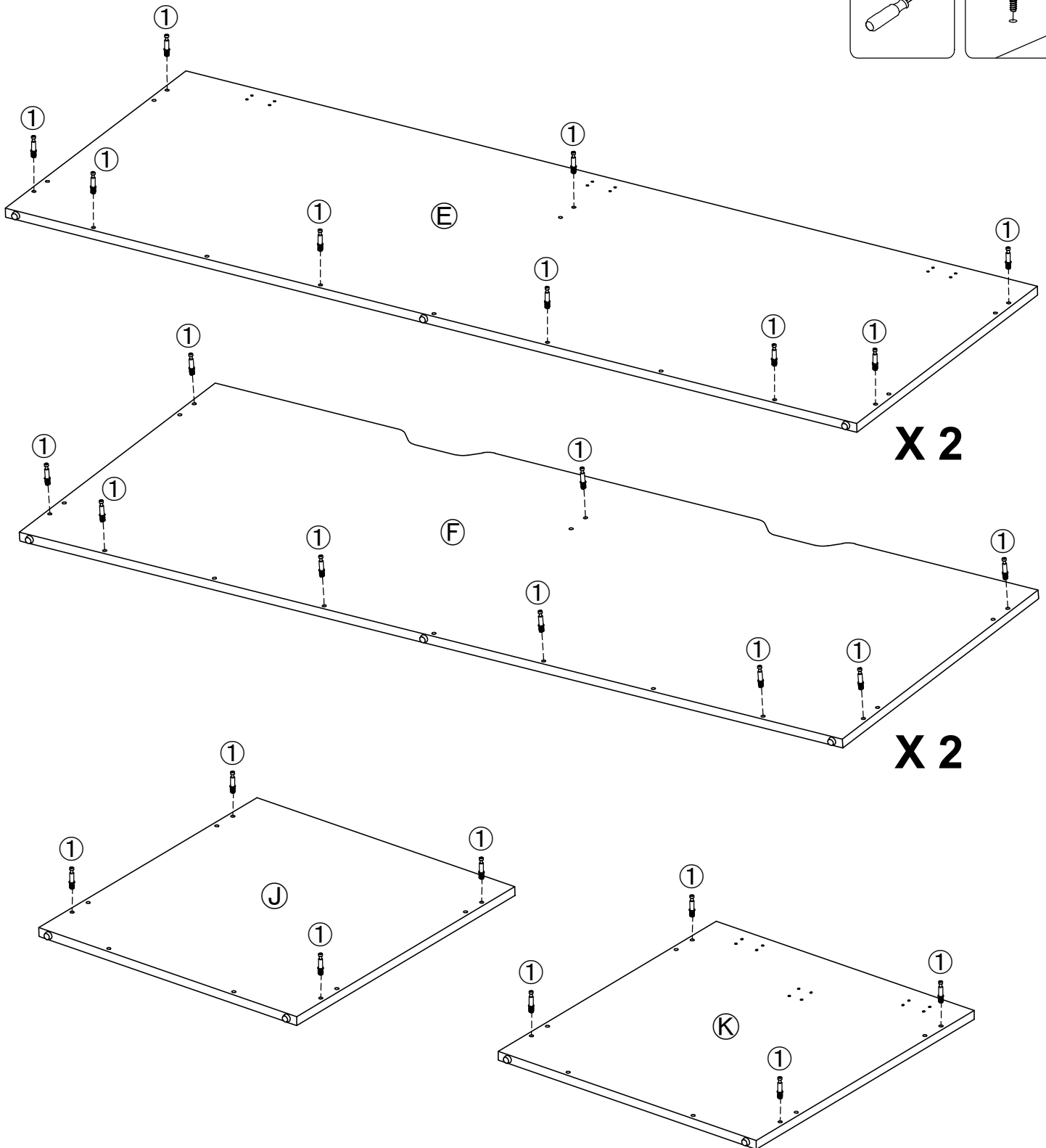
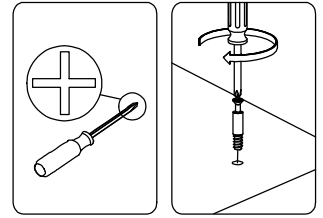
X 2



	① x12
	⑤ x60

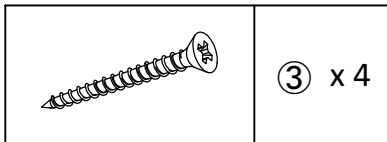
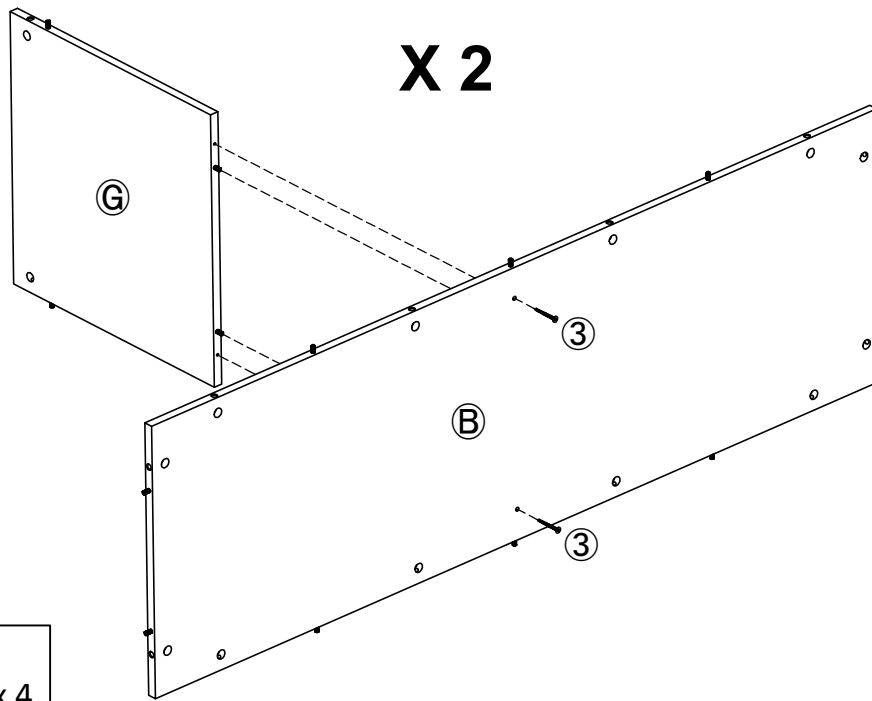
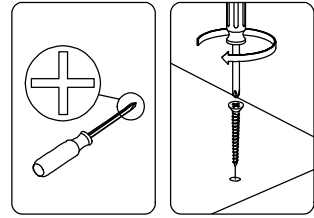
Assembly Step

Step 3

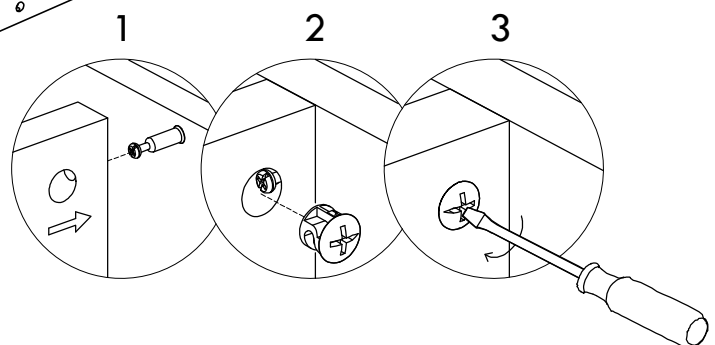
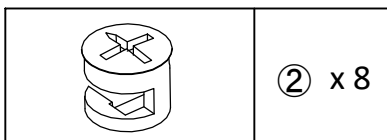
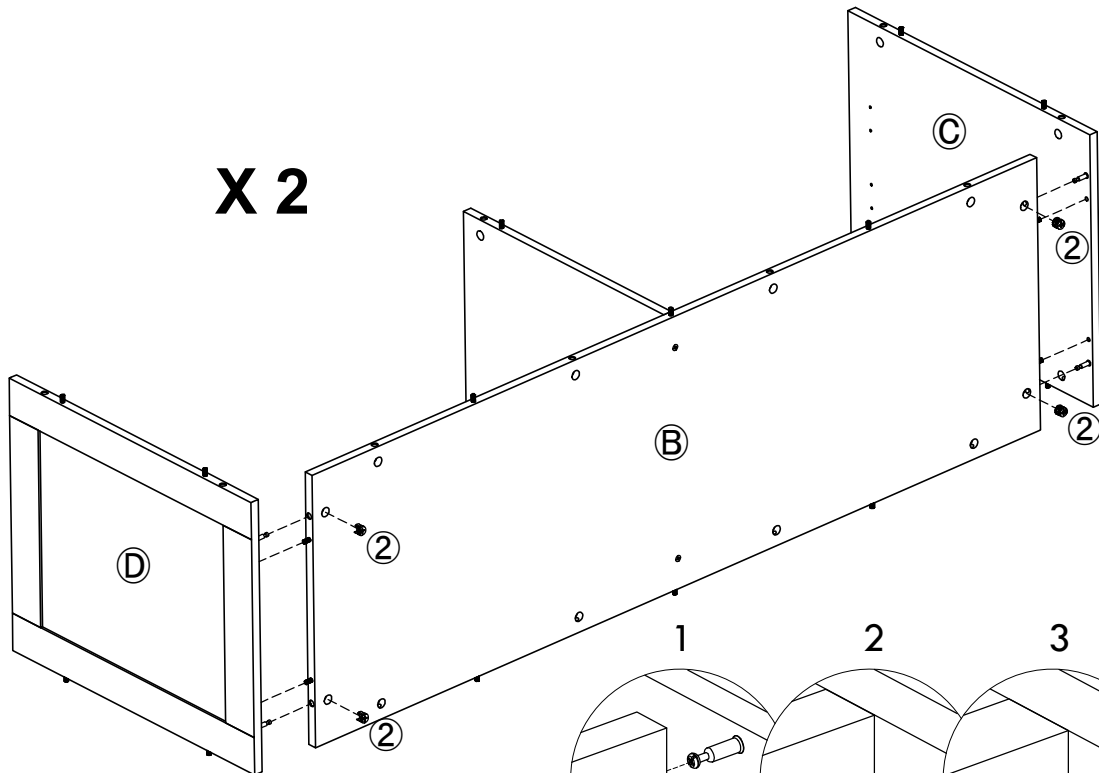
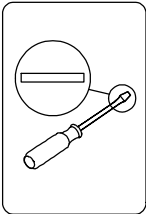


Assembly Step

Step 4



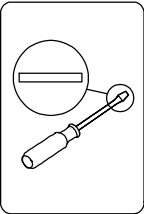
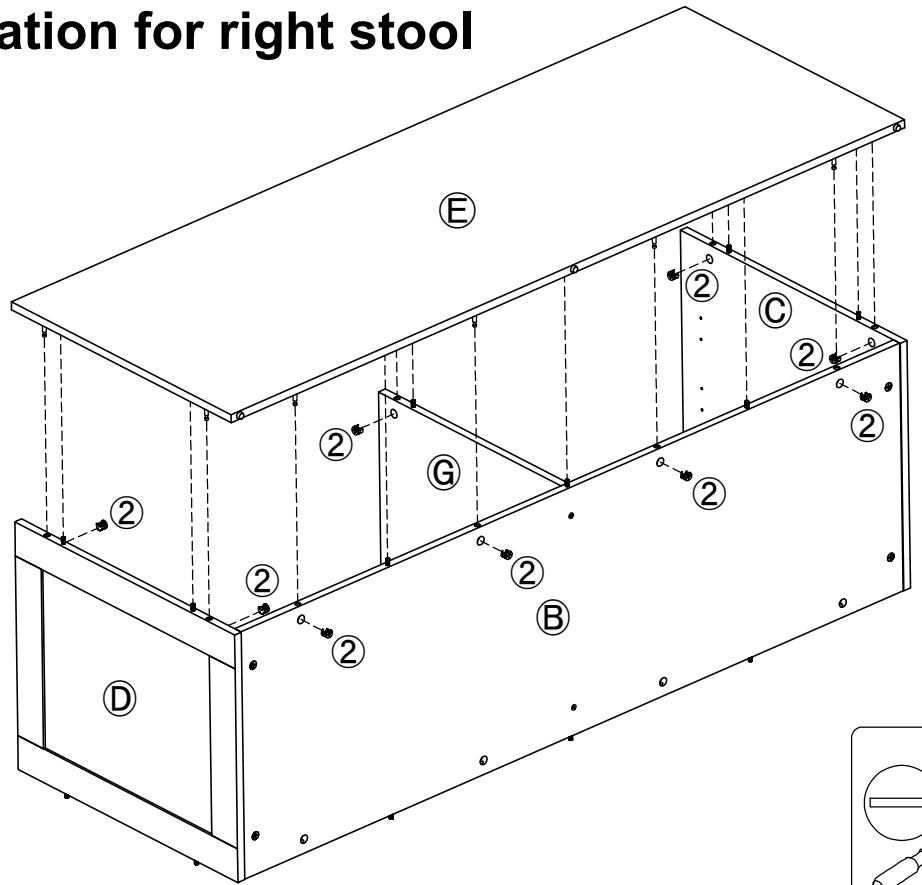
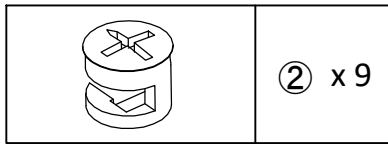
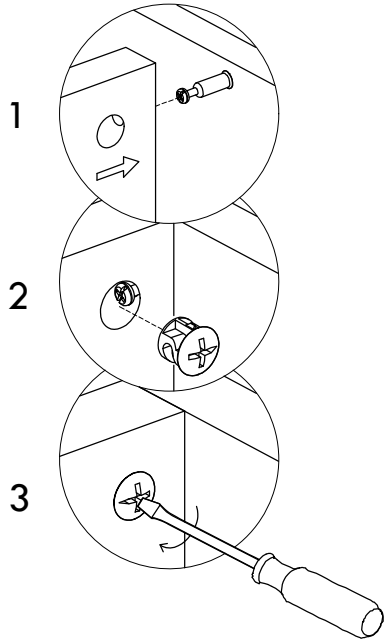
Step 5



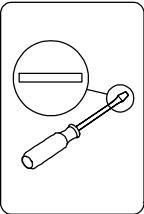
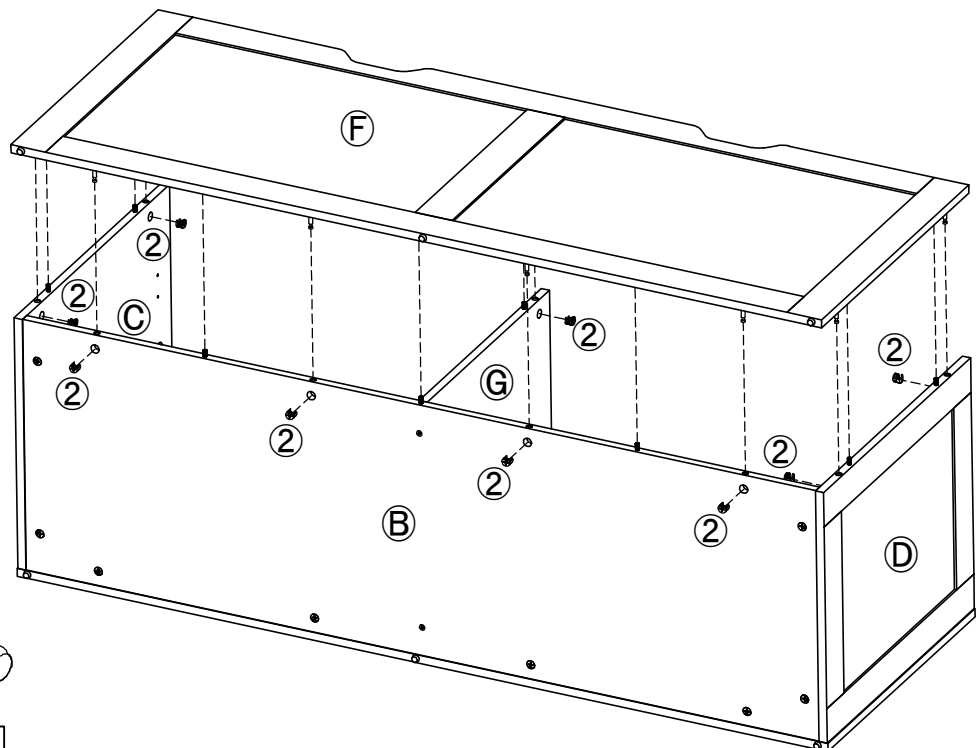
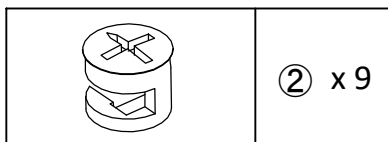
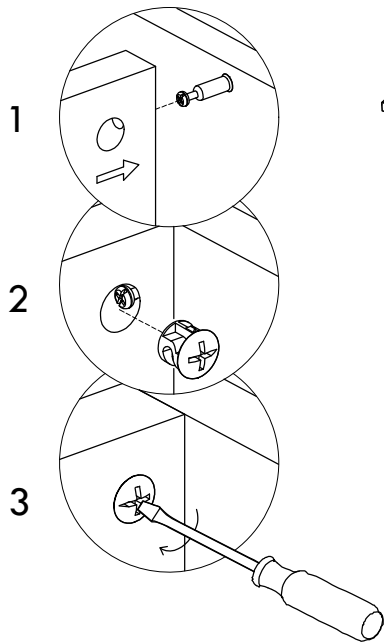
Assembly Step

Step 6

Installation for right stool



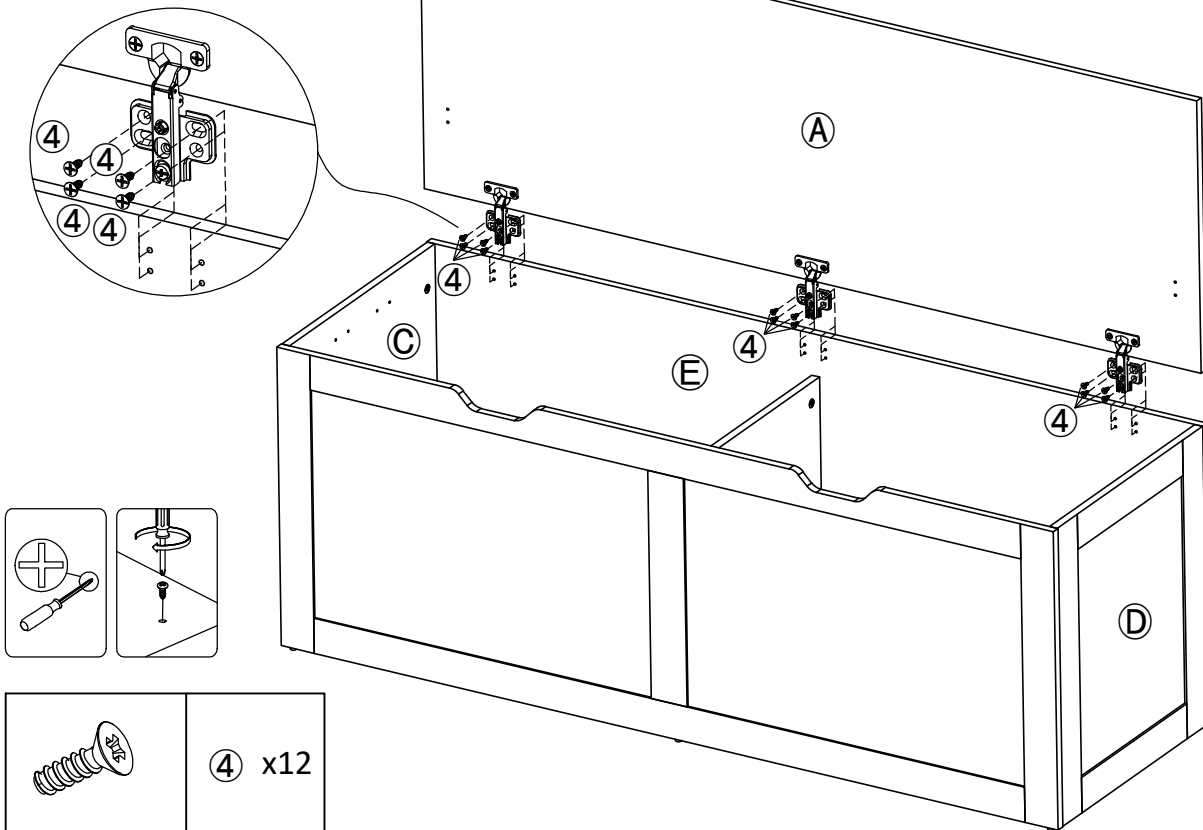
Step 7



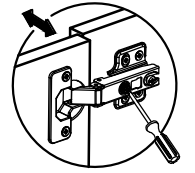
Assembly Step

Step 8

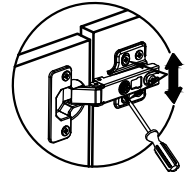
If necessary, adjust hinges to properly align doors as shown below.



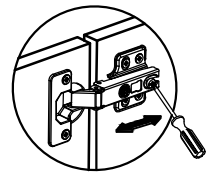
Adjusting possibilities



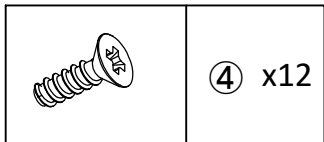
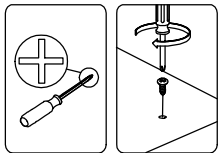
Lateral Adjustment



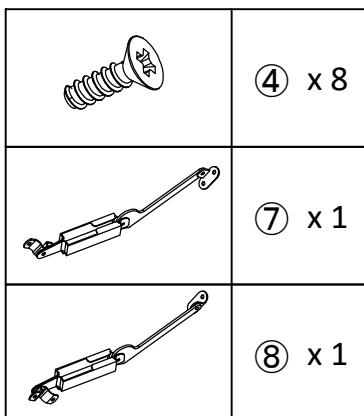
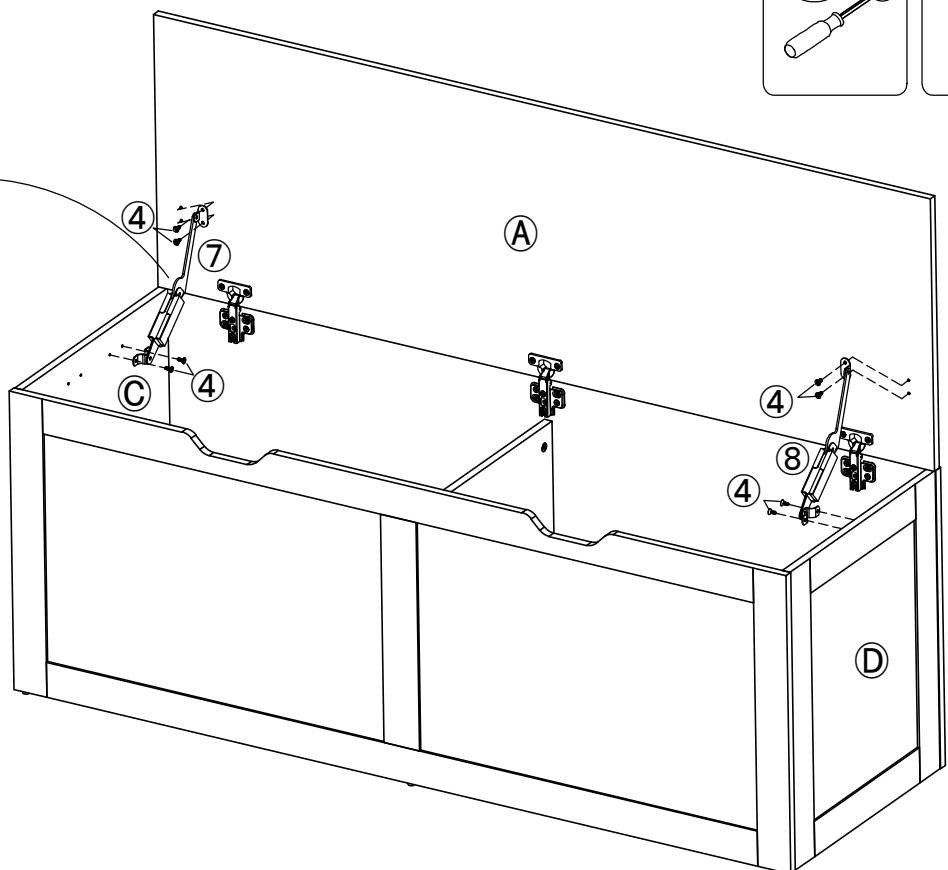
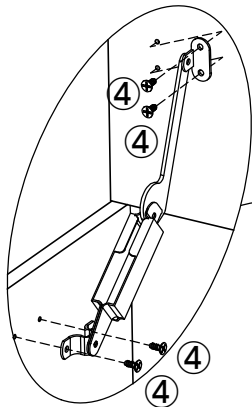
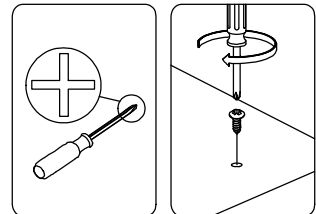
Vertical adjustment



Forward/backwards adjustment



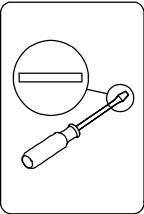
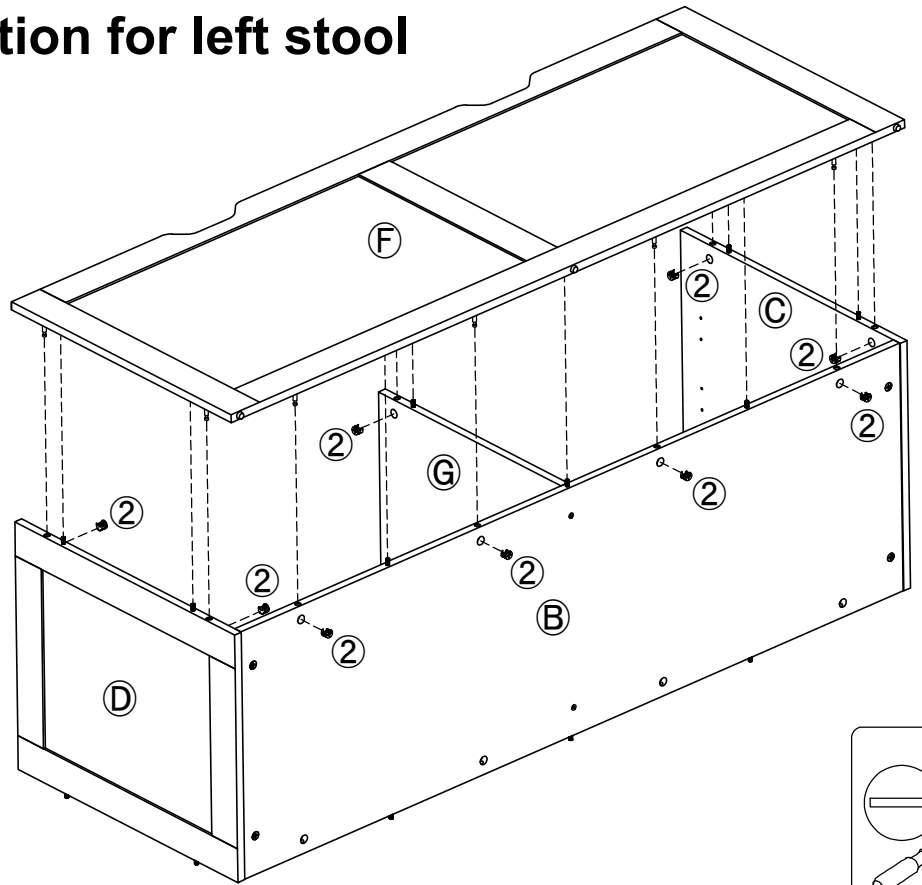
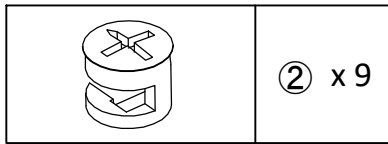
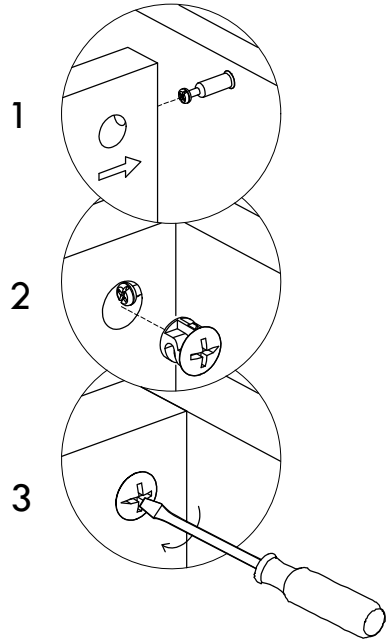
Step 9



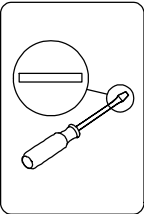
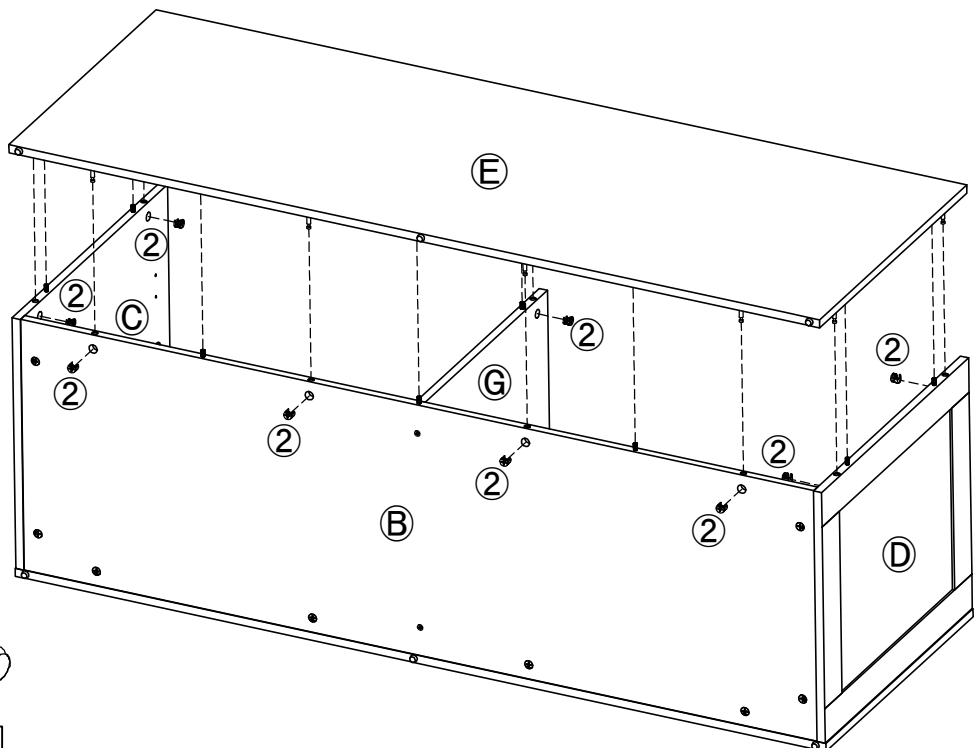
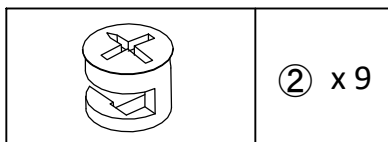
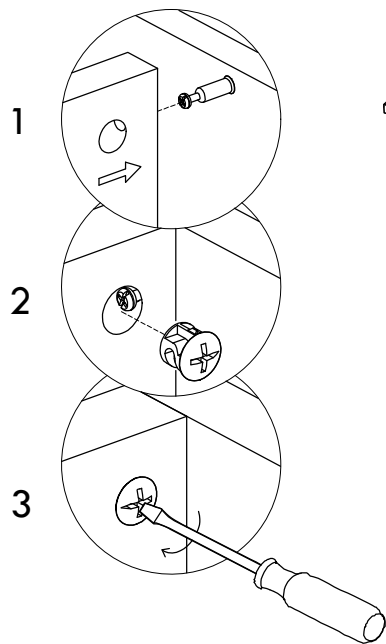
Assembly Step

Step 10

Installation for left stool



Step 11

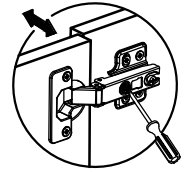


Assembly Step

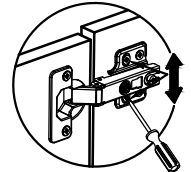
Step 12

If necessary, adjust hinges to properly align doors as shown below.

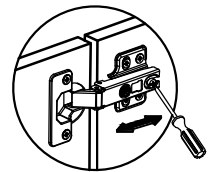
Adjusting possibilities



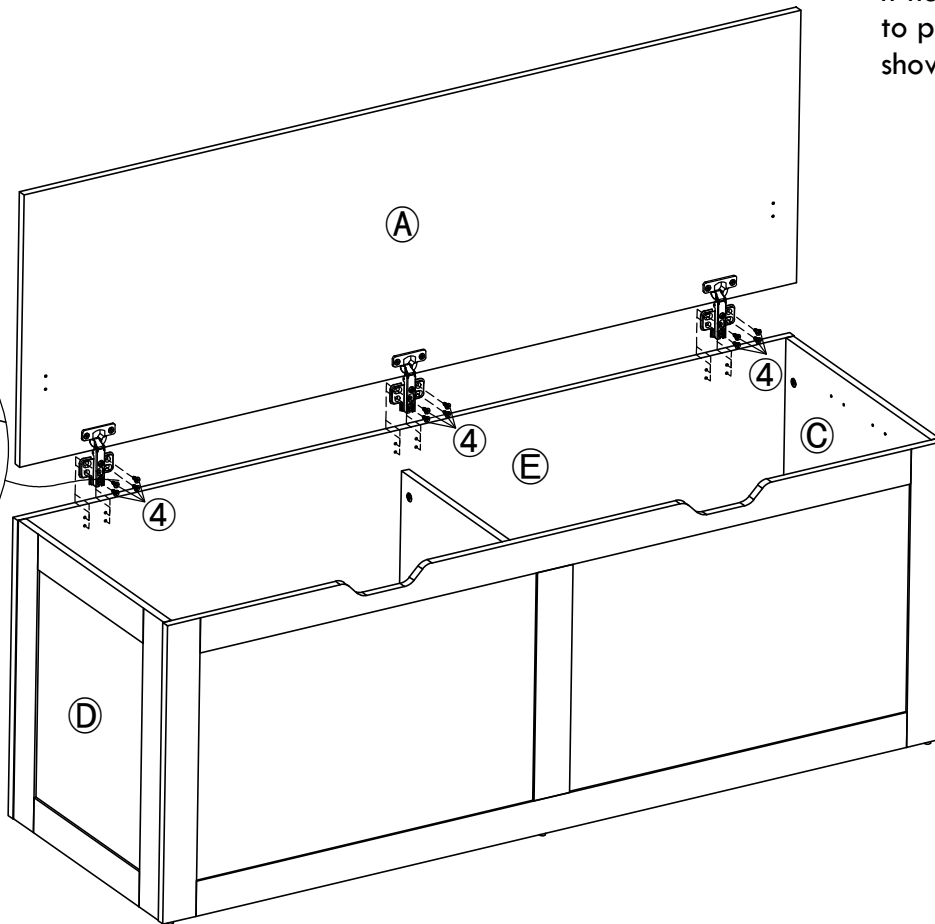
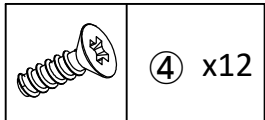
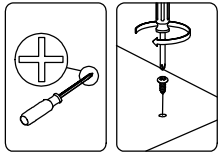
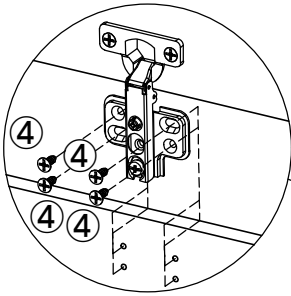
Lateral Adjustment



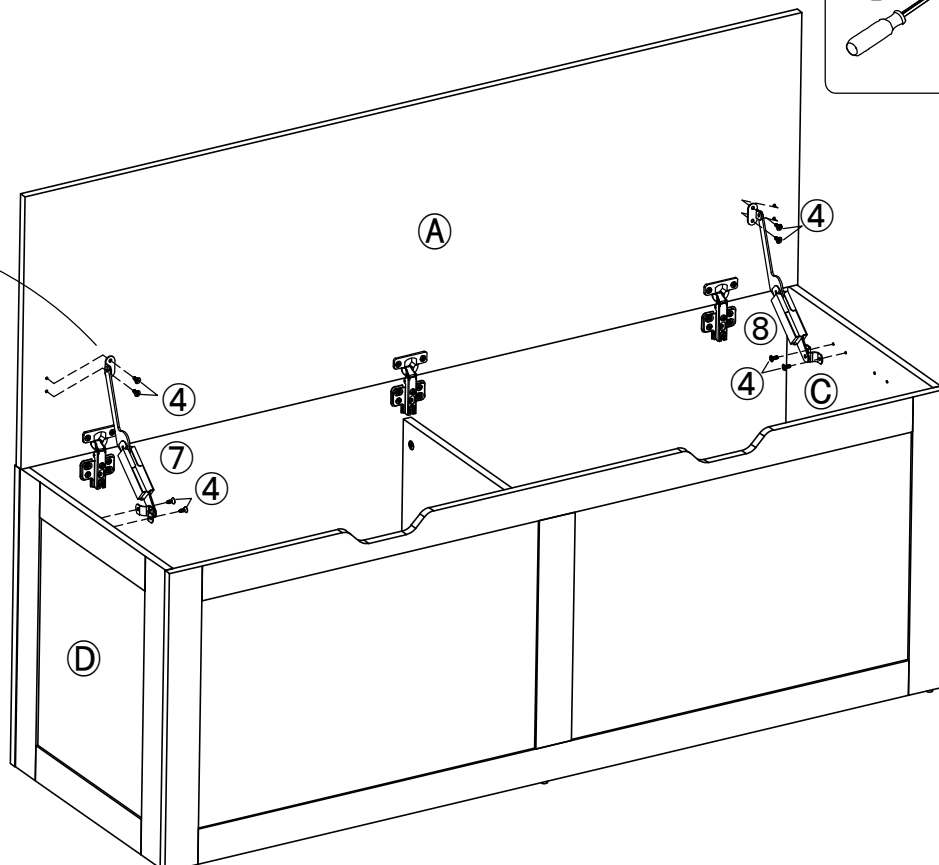
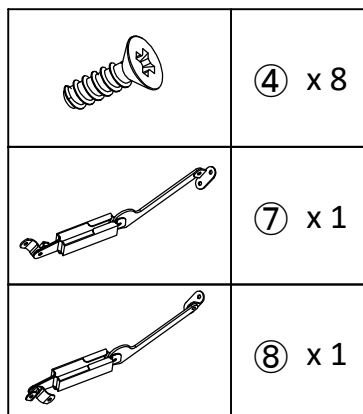
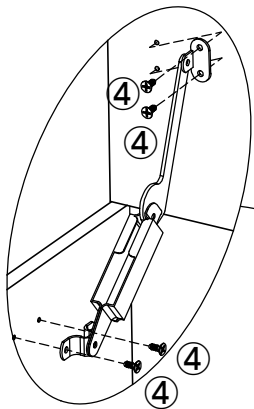
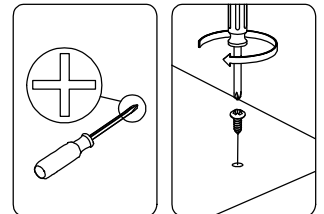
Vertical adjustment



Forward/backwards adjustment

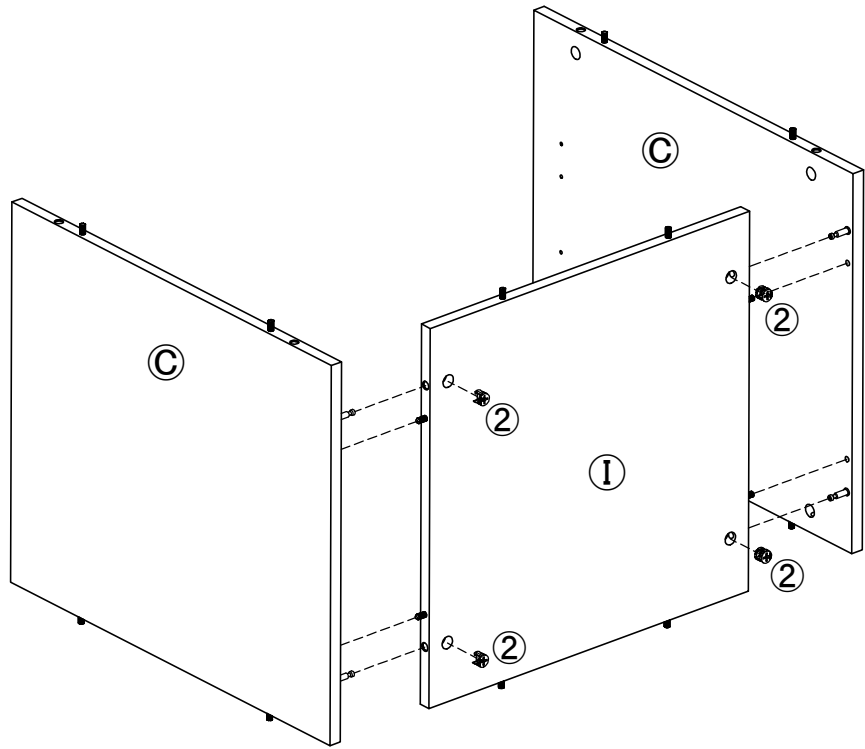
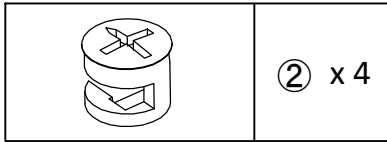
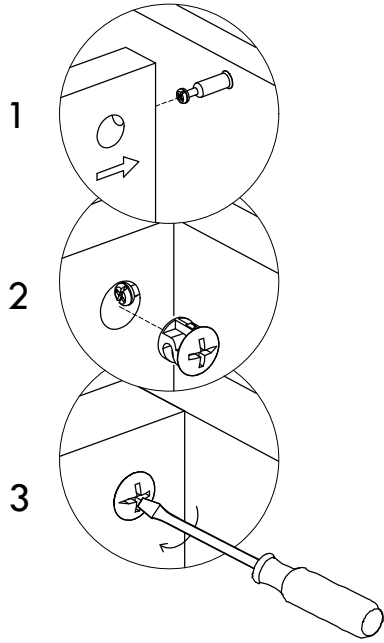


Step 13

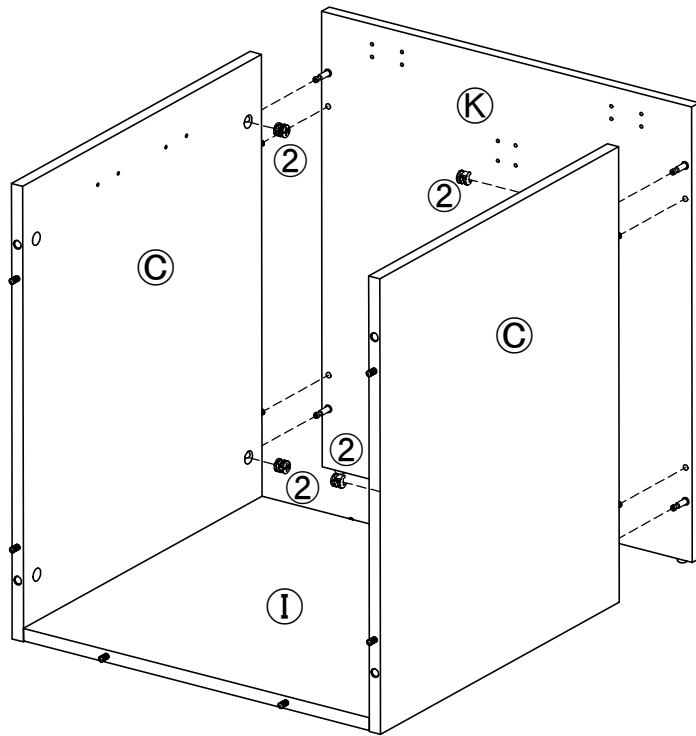
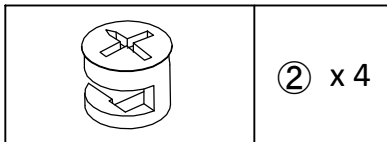
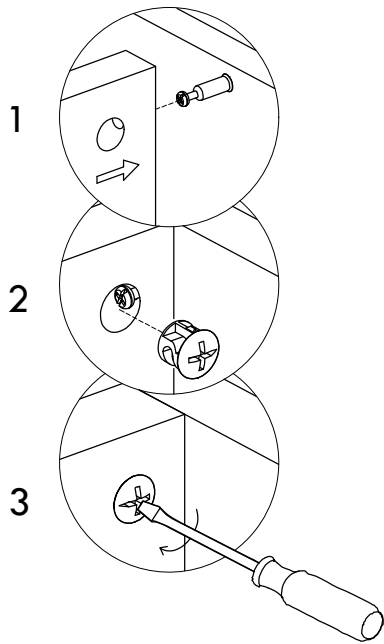


Assembly Step

Step 14

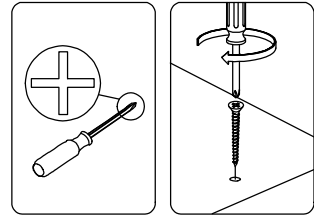
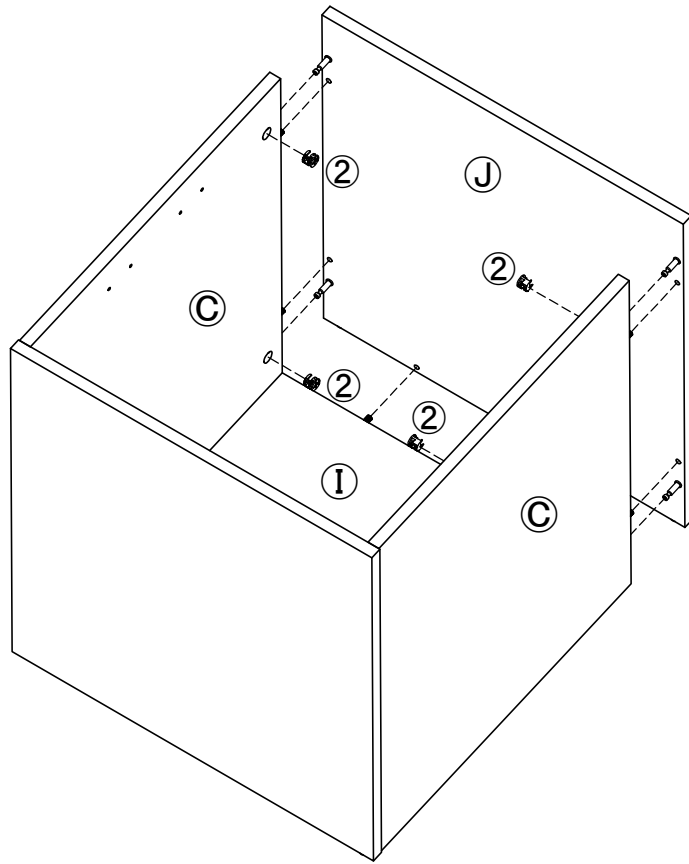
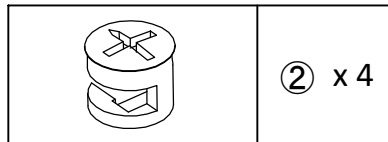
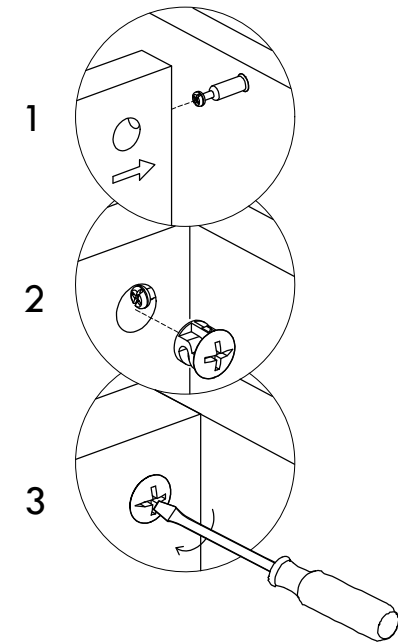


Step 15



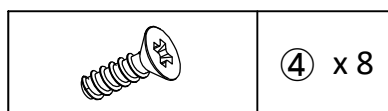
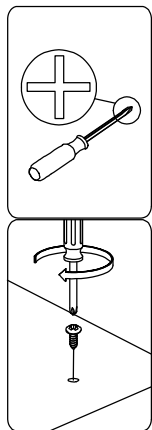
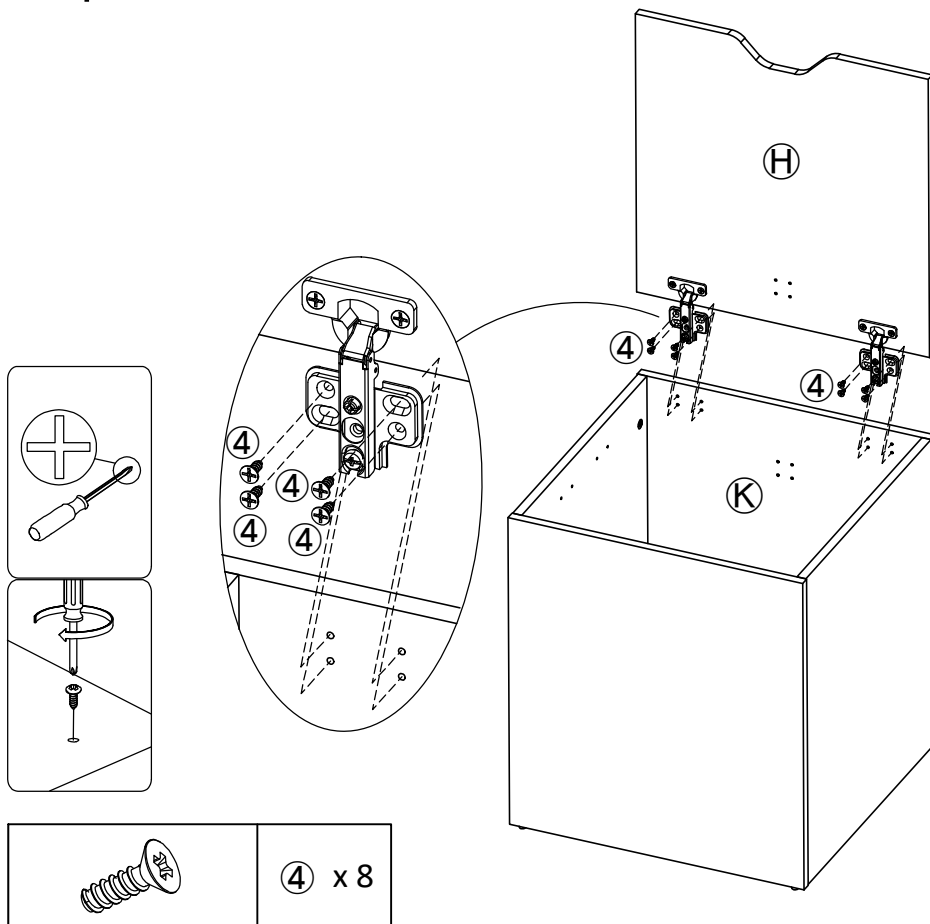
Assembly Step

Step 16

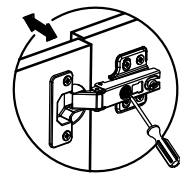


Step 17

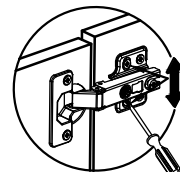
If necessary, adjust hinges to properly align doors as shown below.



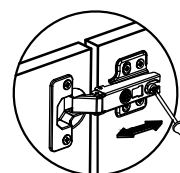
Adjusting possibilities



Lateral Adjustment



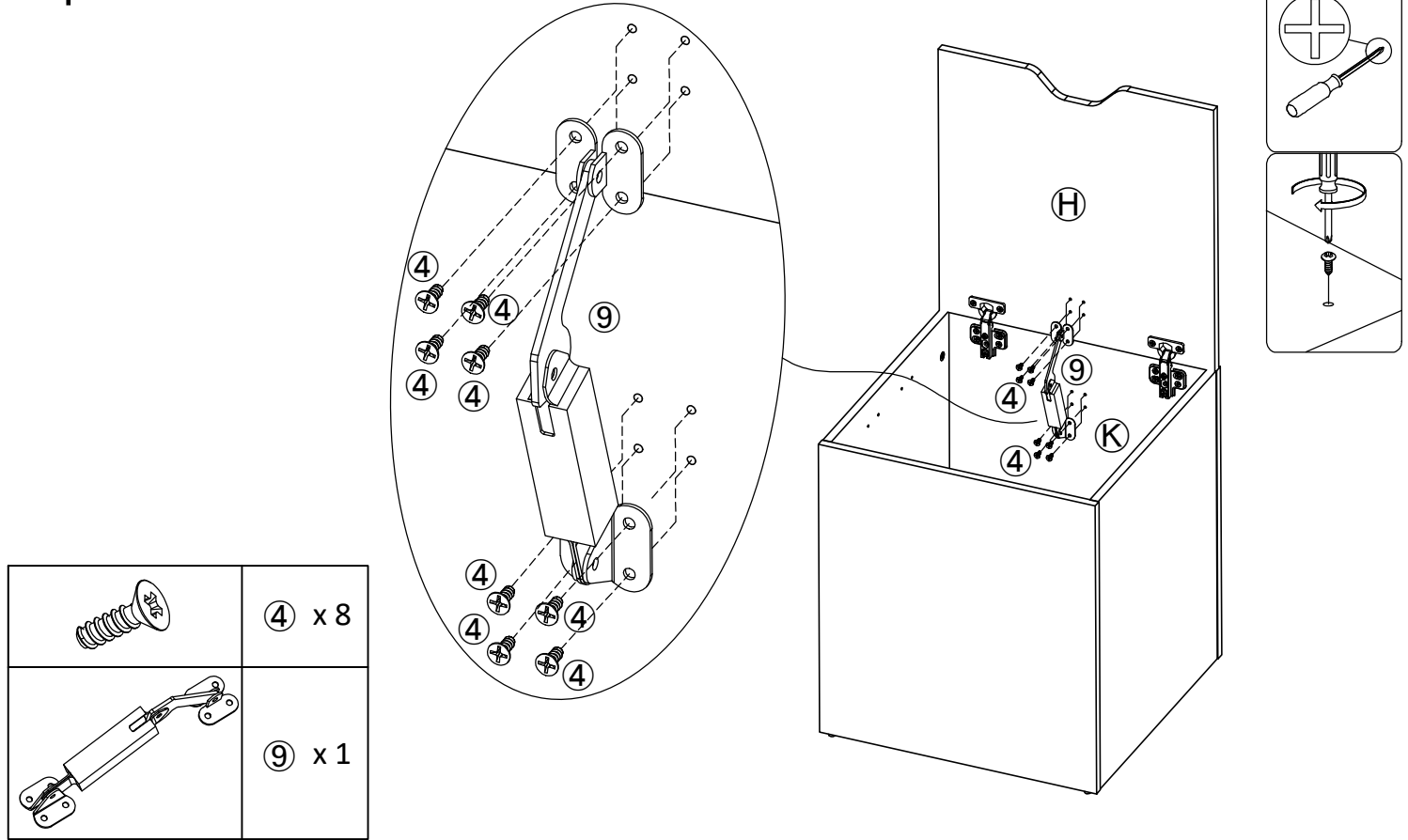
Vertical adjustment



Forward/backwards adjustment

Assembly Step

Step 18



Step 19

