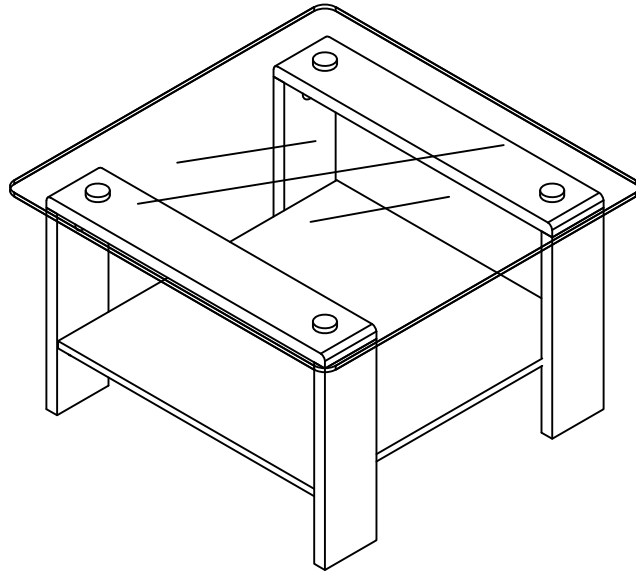











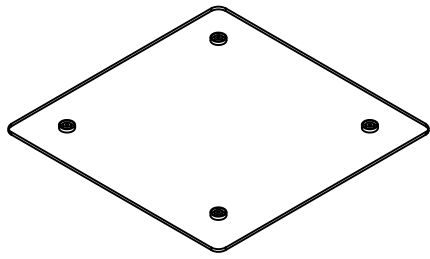
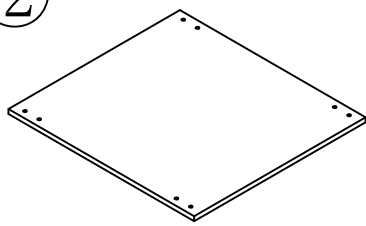
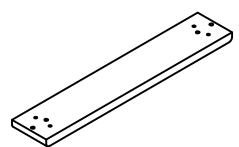
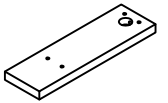


ASSEMBLY INSTRUCTION

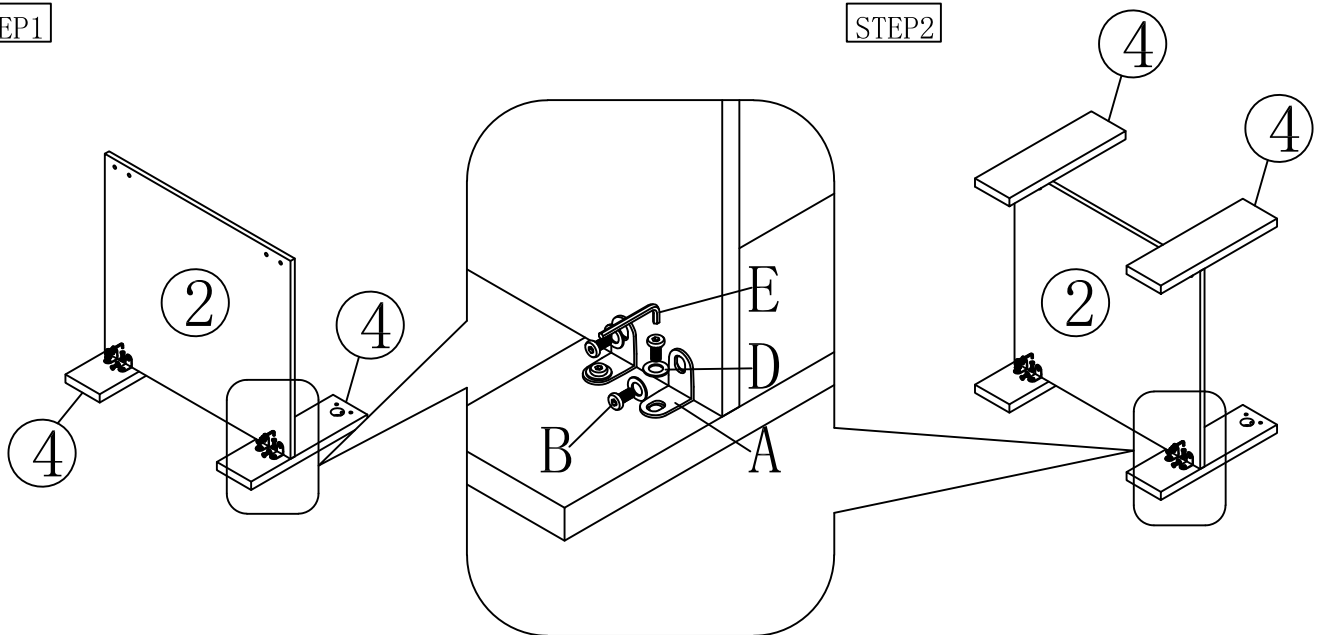


A  16pcs	B  6*13 32pcs	C  8*30 4pcs	D  8*18 40pcs	E  M5 1pcs	F  8*65 4pcs	G  4pcs
H  M8 4pcs	I  1pcs	J  20*20 8pcs	K  4pcs			

 1pcs	②  1pcs	③  2pcs	④  4pcs
--	--	---	--

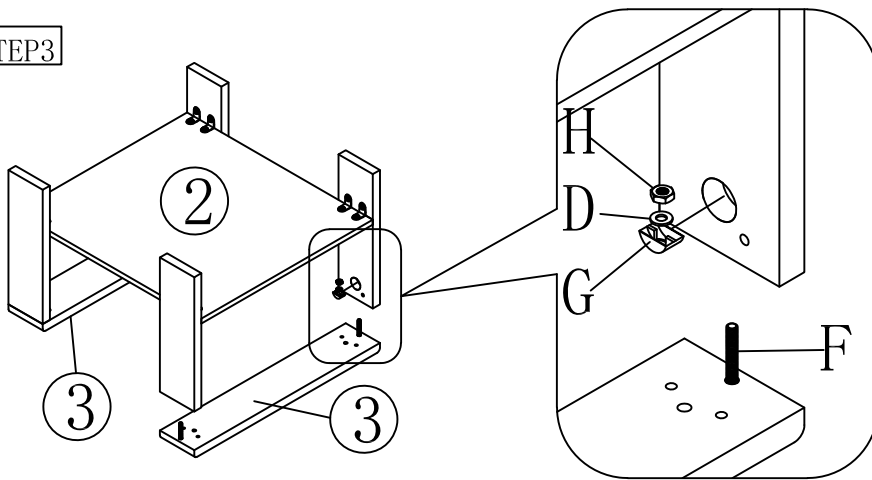
STEP1

STEP2



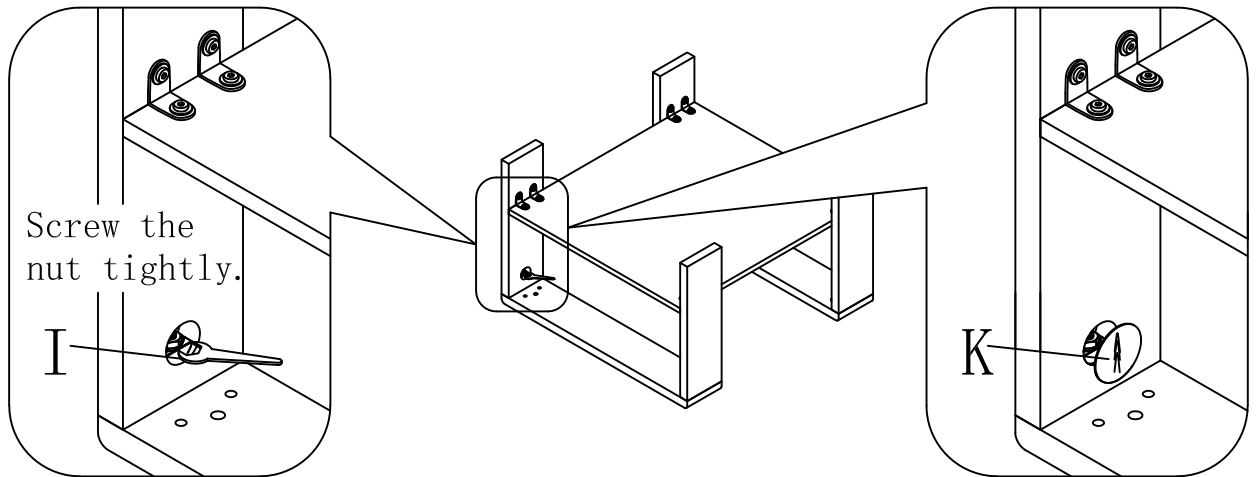
ASSEMBLY INSTRUCTION

STEP3



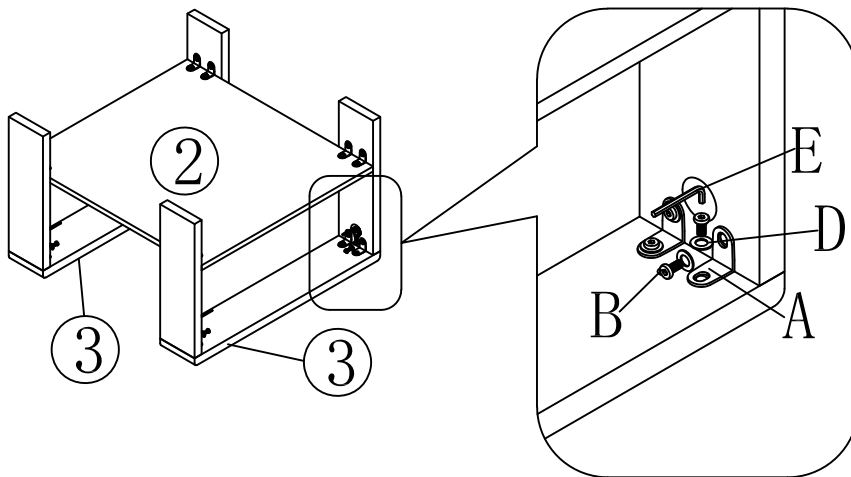
Jiang connection rod into the slot of the beam, then tighten it. Align other components with the corresponding holes and insert them vertically into the leg slot to secure the connection rod.

STEP4



Screw the nut tightly.

STEP5



STEP6

