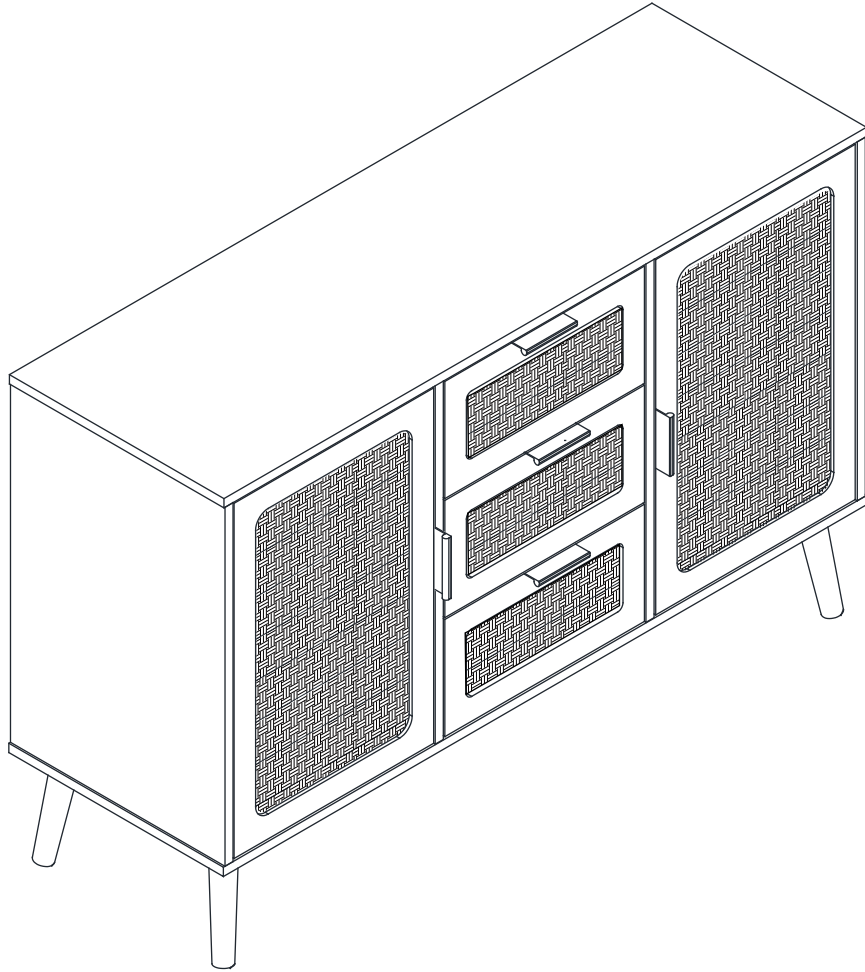


# Installation Instruction



**Product Name**

---

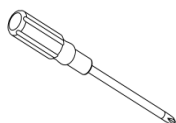
**2 Door 3 Drawer Cabinet**

# Assembling

---

## What you need

- Use the packaging carton as a working surface to prevent product damage during assembly
- Phillips head screwdriver



---

## Weight Limitation



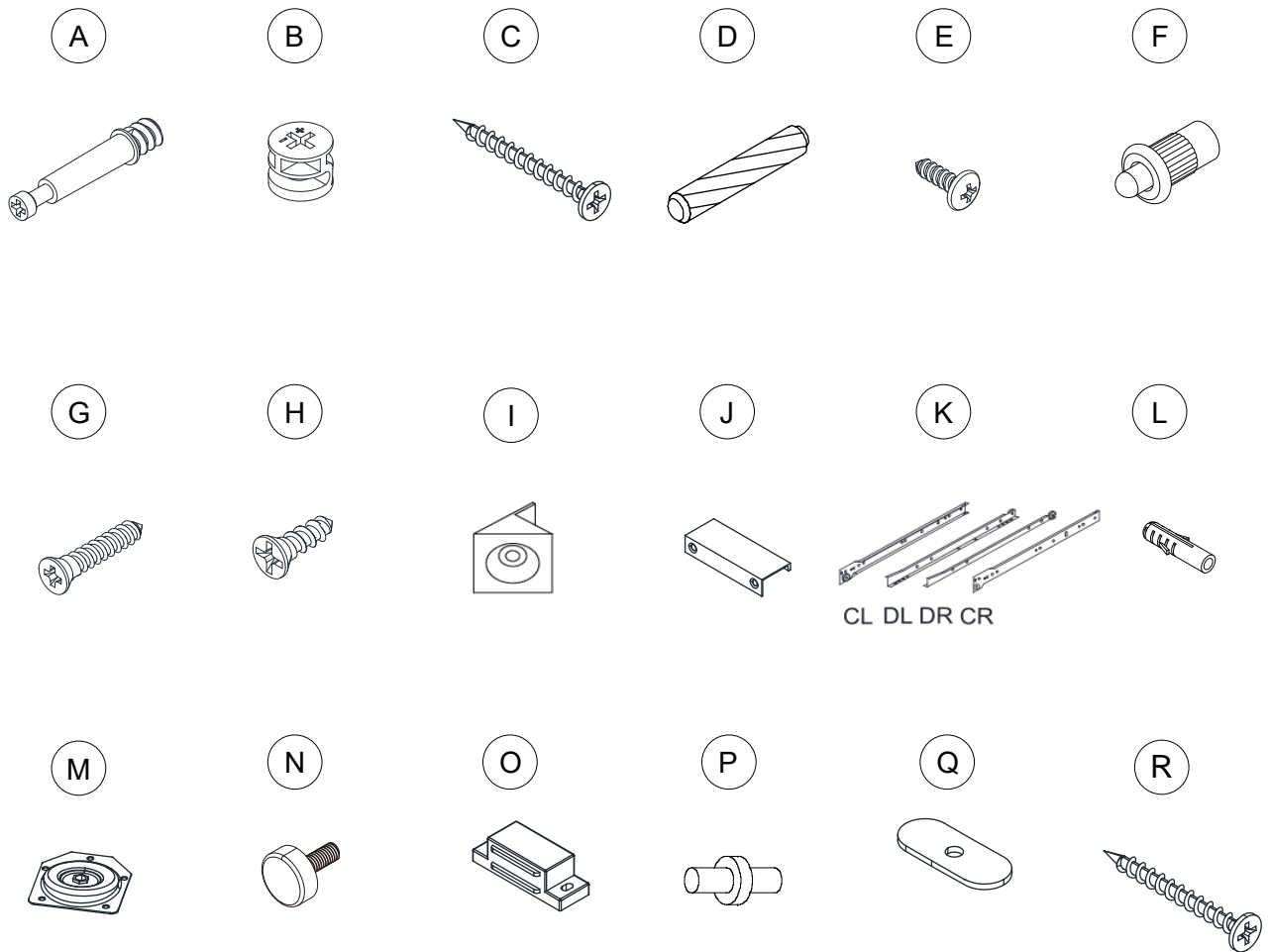
2 PERSONS

## What's included

---

Code	Description	Qty
A	Cam Bolt M6X35MM	32
B	Cam Lock 15X10MM	32
C	Screw M4X35MM	22
D	Wooden Dowel M6X30MM	16
E	Screw M4X14MM	20
F	Plastic Pin	4
G	Screw M3X14MM	20
H	Screw M3X12MM	50
I	Plastic Corner Support	12
J	Handle	5
K	Slide Sets	3
L	Anchor M6X30MM	2
M	Metal Pin	4
N	Feet Nail	1
O	Magnetic Door Catcher	4
P	Metal Support	8
Q	Door Metal Plate	4
R	Screw M4X55MM	2

# The Hardware



## IMPORTANT:

1. Do not tighten bolts / screws completely until all bolts / screws are lined up and inserted into holes.
2. Do not over tighten screws and bolts to avoid stripping.
3. Please use hand tools to assemble this product. Do not use power tools.
4. Must need 2 people to assemble this product.

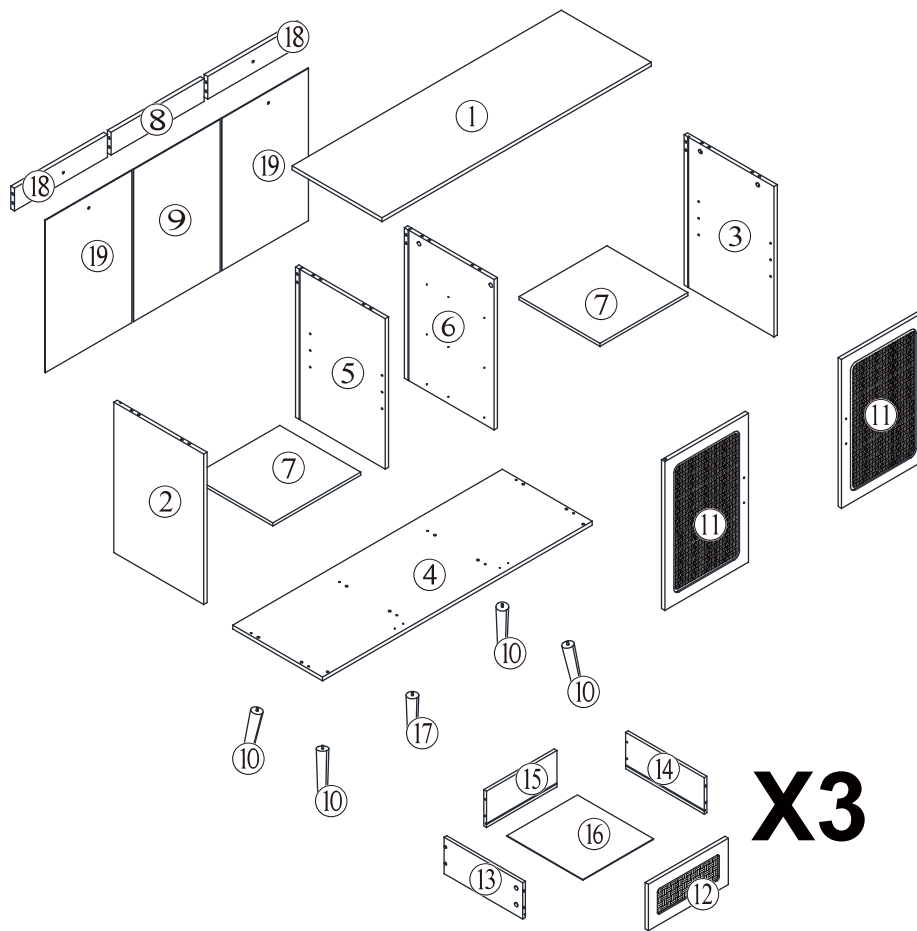


**2 PERSONS**

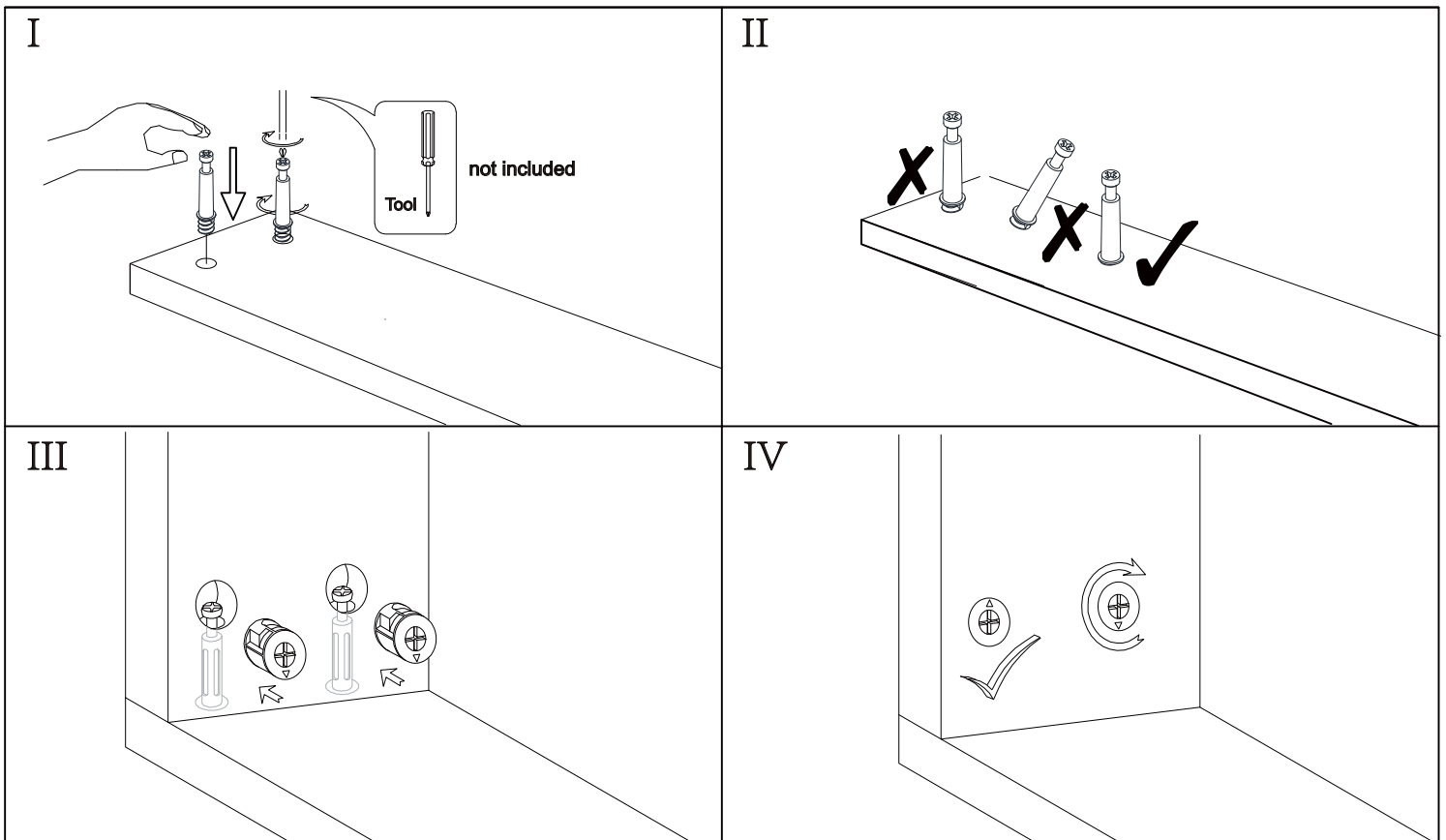
# Included Accessories

<b>Code</b>	<b>Description</b>	<b>Qty</b>
1	Cabinet Top	1
2	Left Side Panel	1
3	Right Side Panel	1
4	Bottom Panel	1
5	Left Division Panel	1
6	Right Division Panel	1
7	Shelf	2
8	Back Stretcher	1
9	Middle Back Panel	1
10	Feet	4
11	Door	2
12	Drawer Front Panel	3
13	Drawer Left Side Panel	3
14	Drawer Right Side Panel	3
15	Drawer Back Panel	3
16	Drawer Bottom Panel	3
17	Middle Foot	1
18	Left & Right Back Stretcher	2
19	Left & Right Back Panel	2

# The Accessoriess

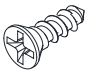


## NOTED:




# Step 1

**H**



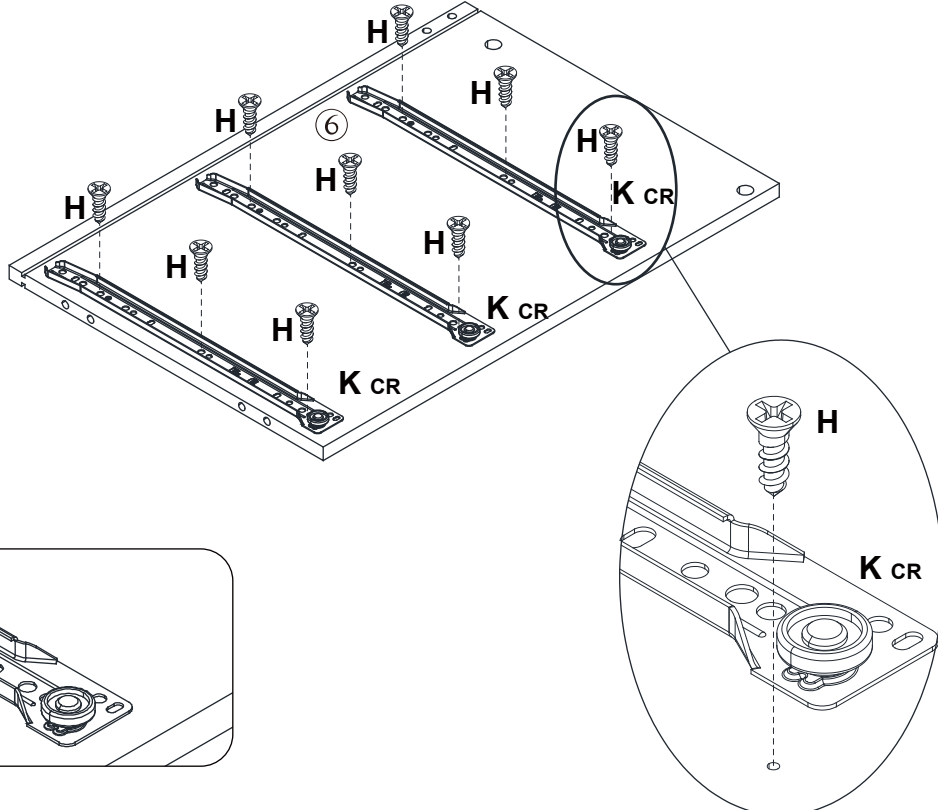
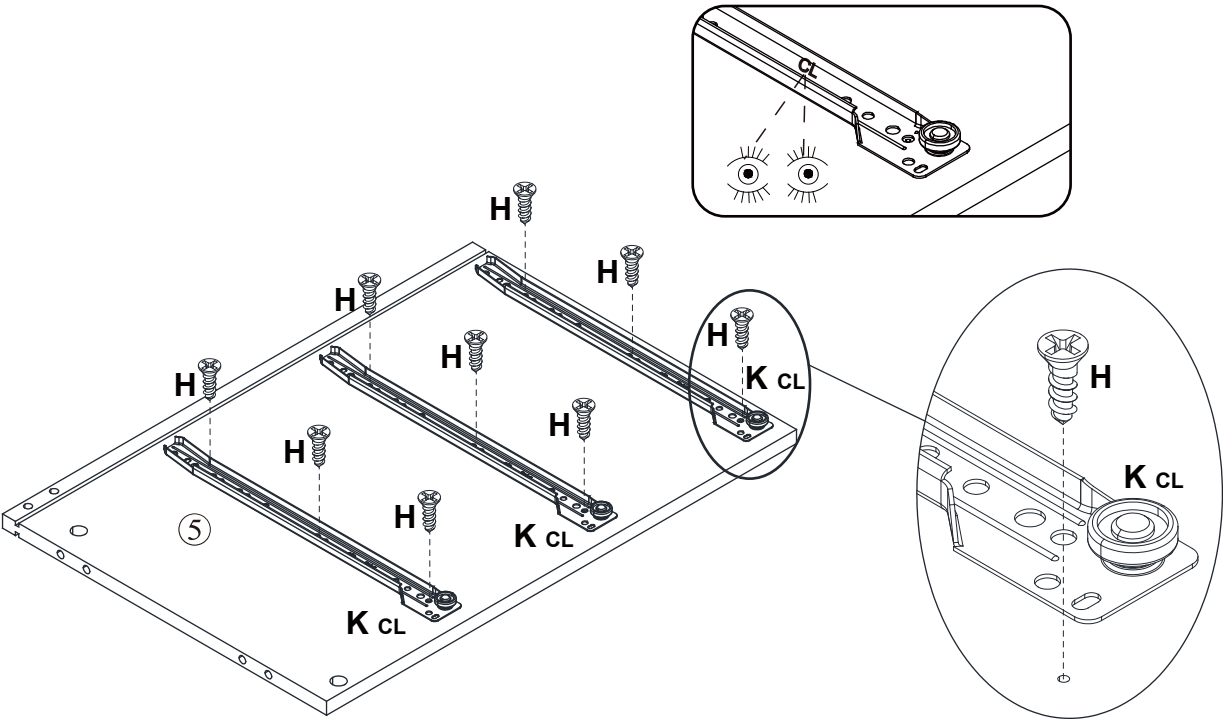
**X18**

**K**

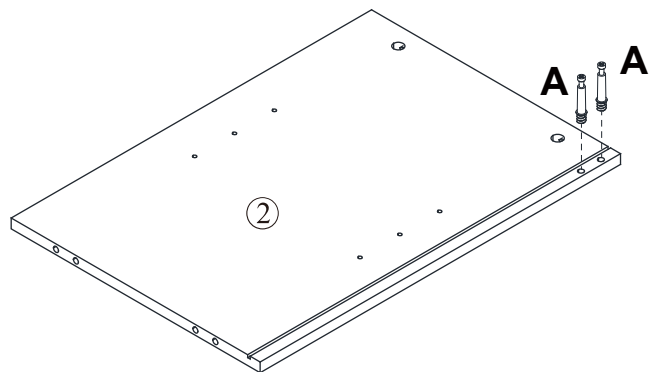
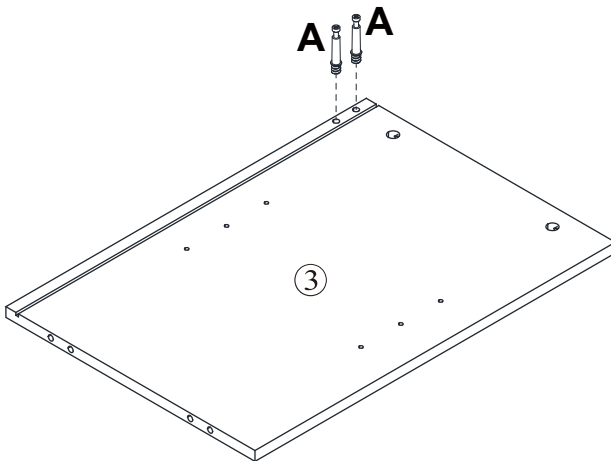
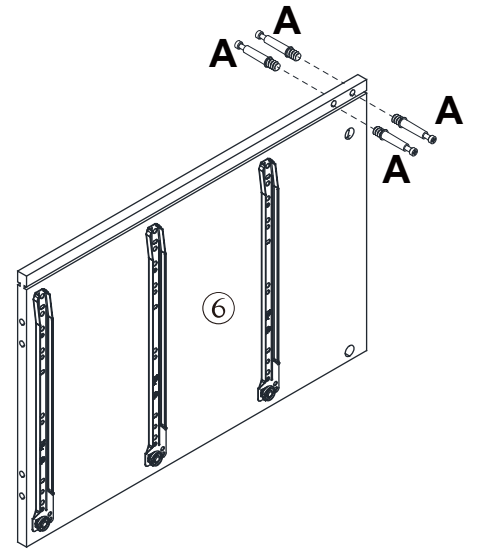
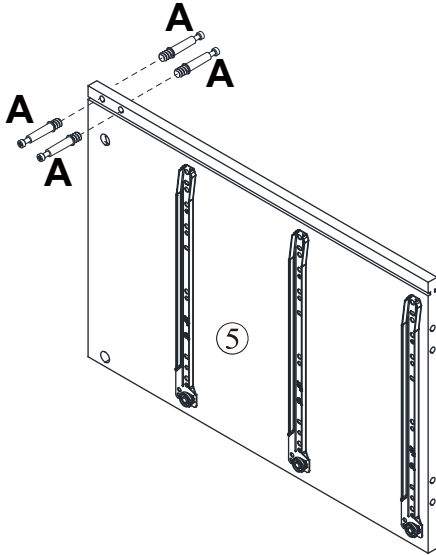
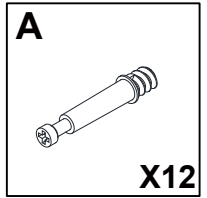


CL DL DR CR

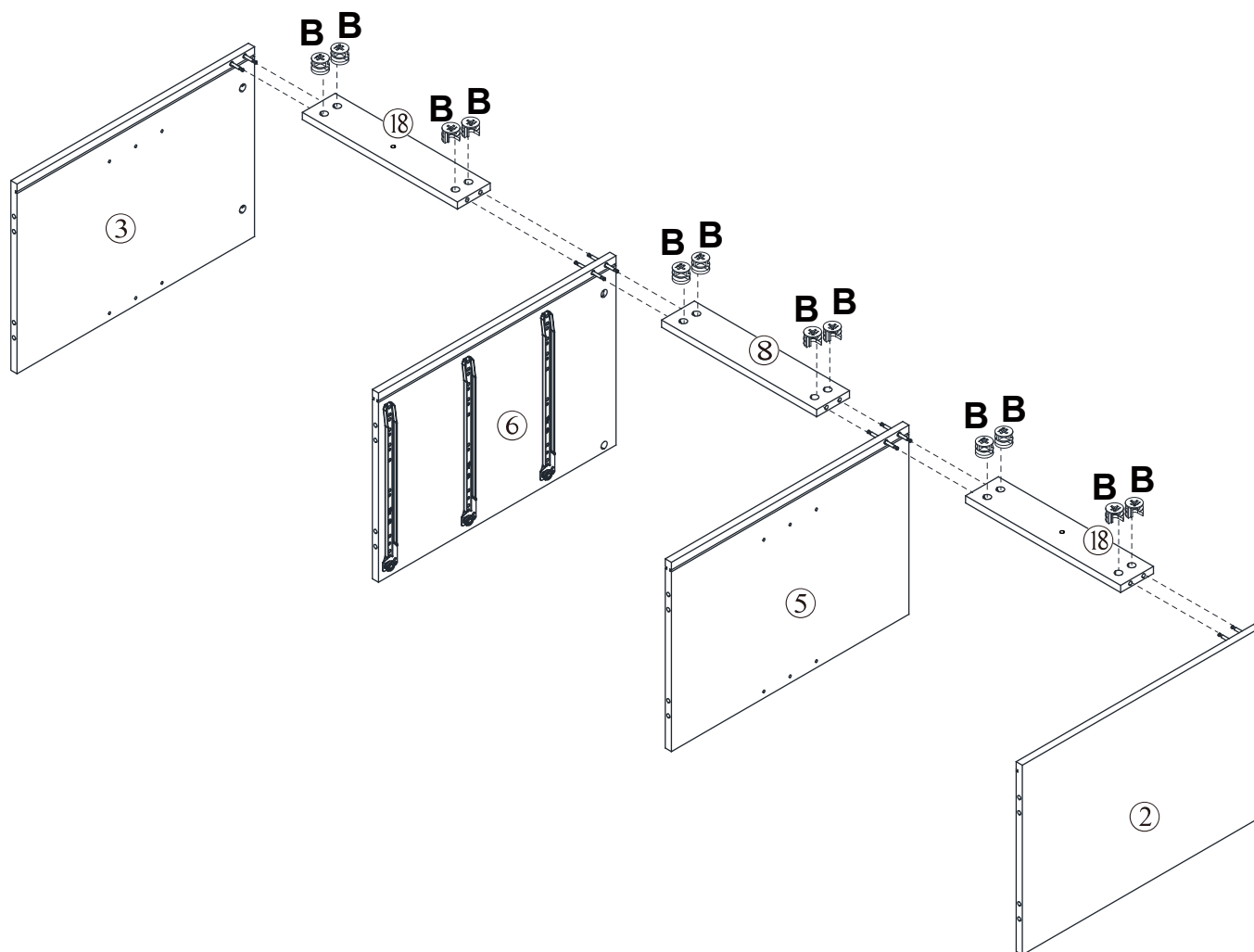
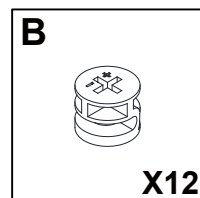
**X3**



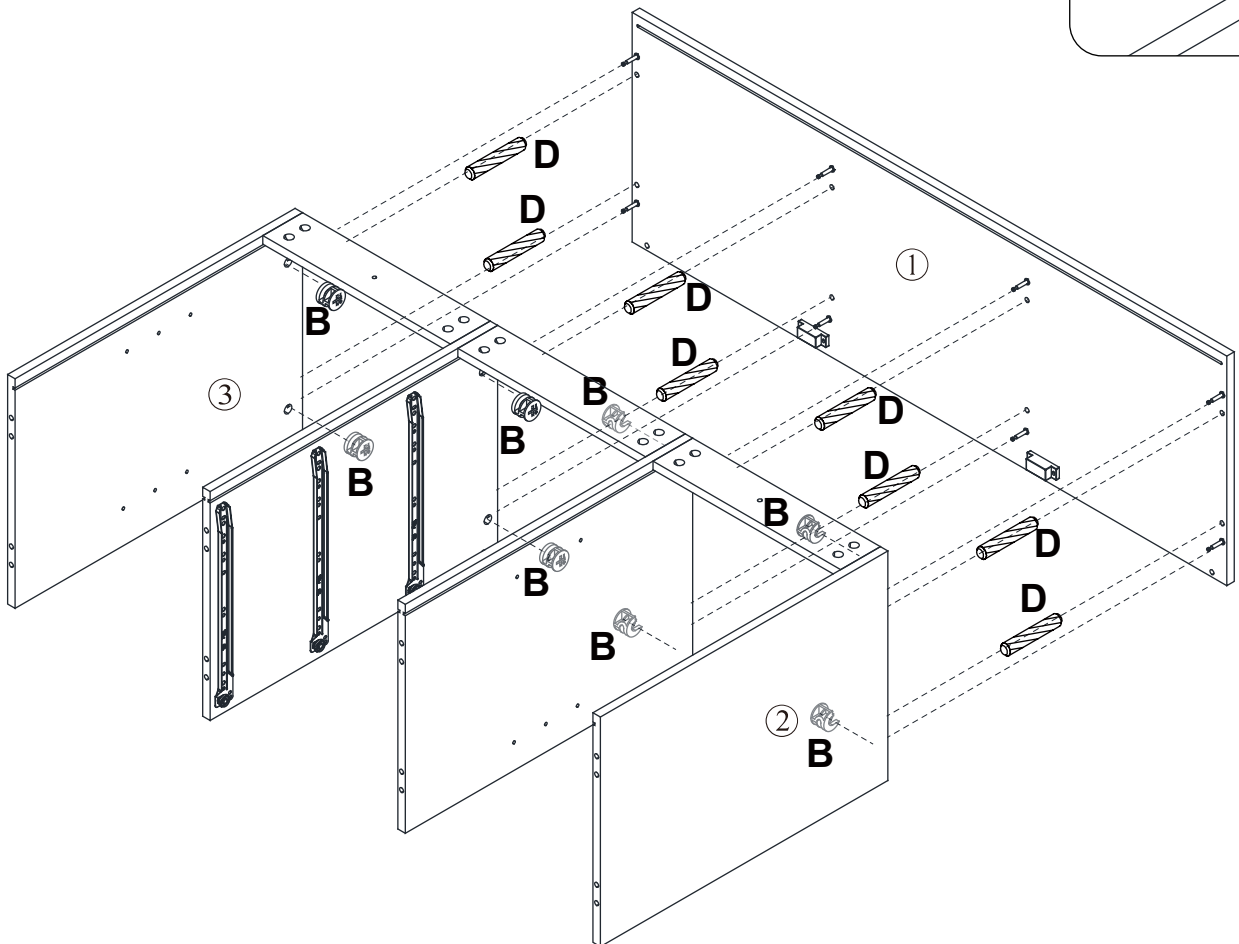
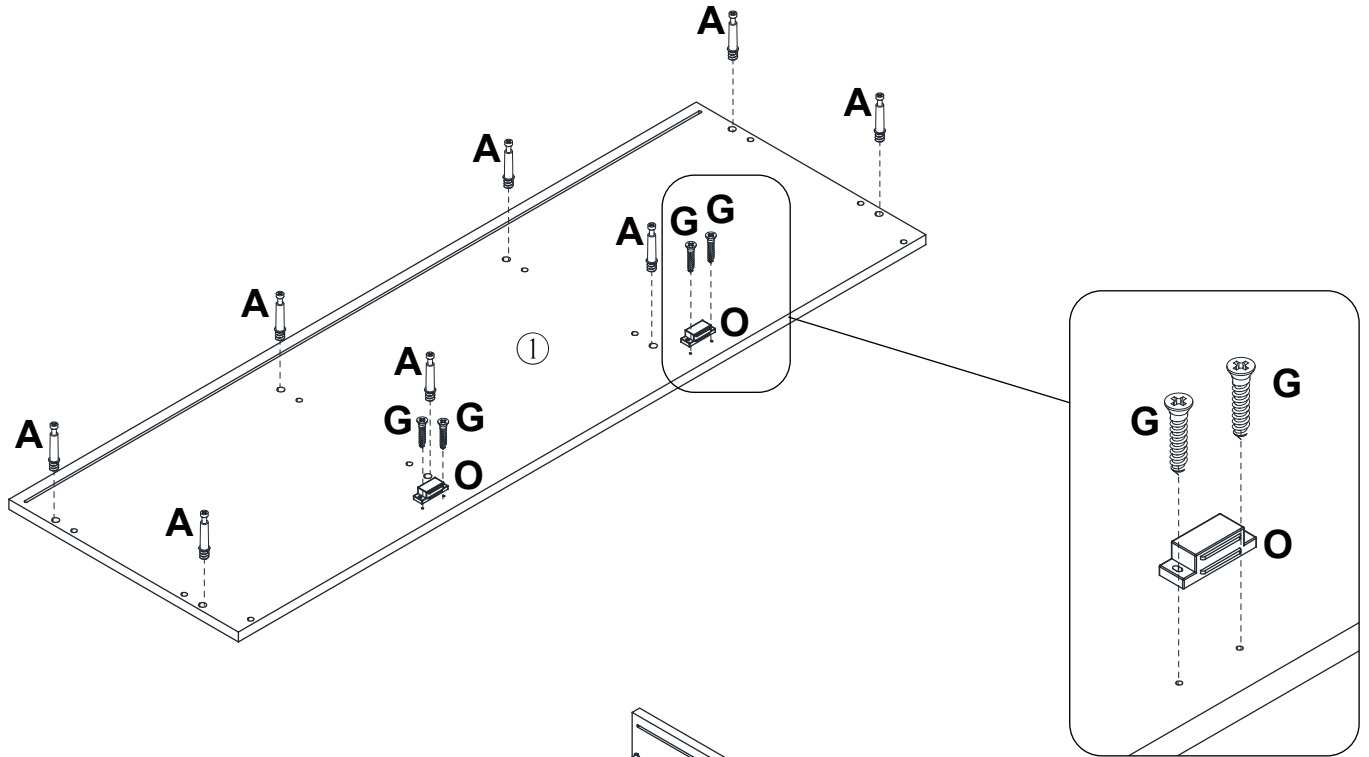
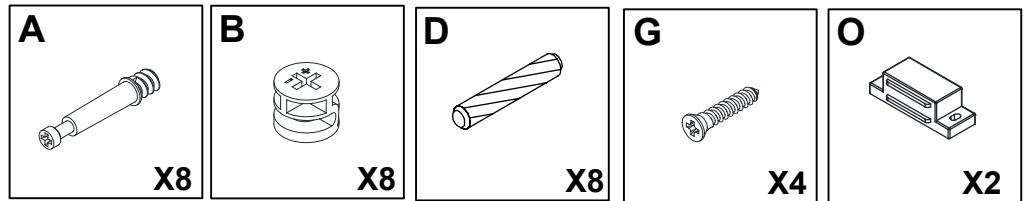
# Step 2




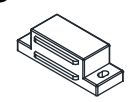
# Step 3

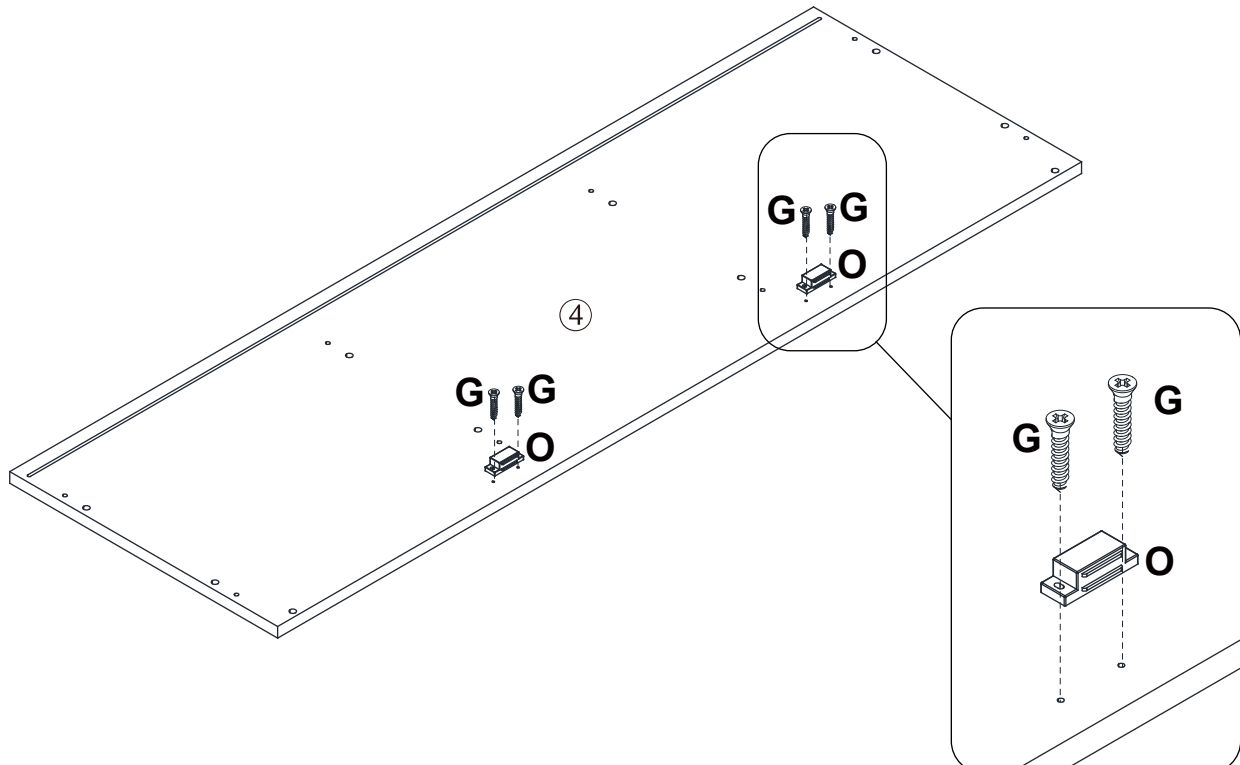
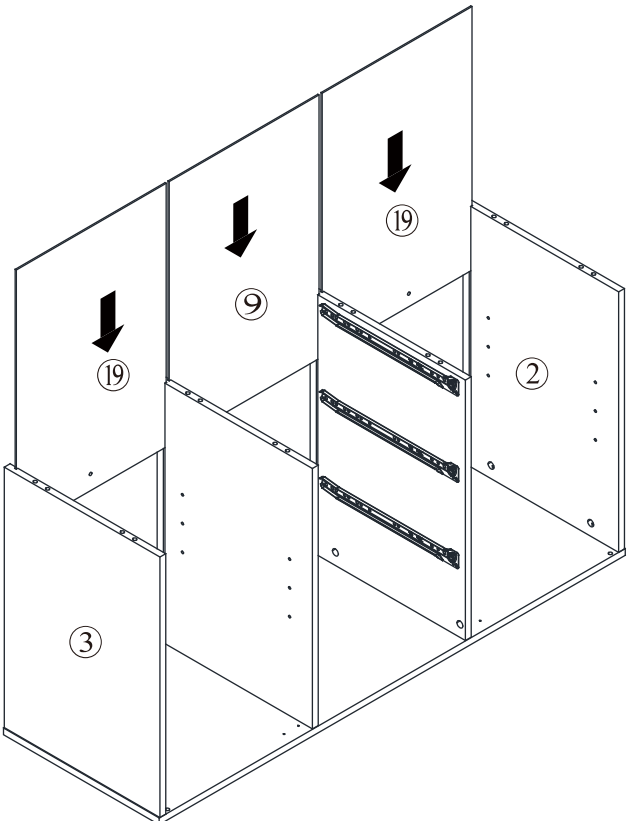


# Step 4

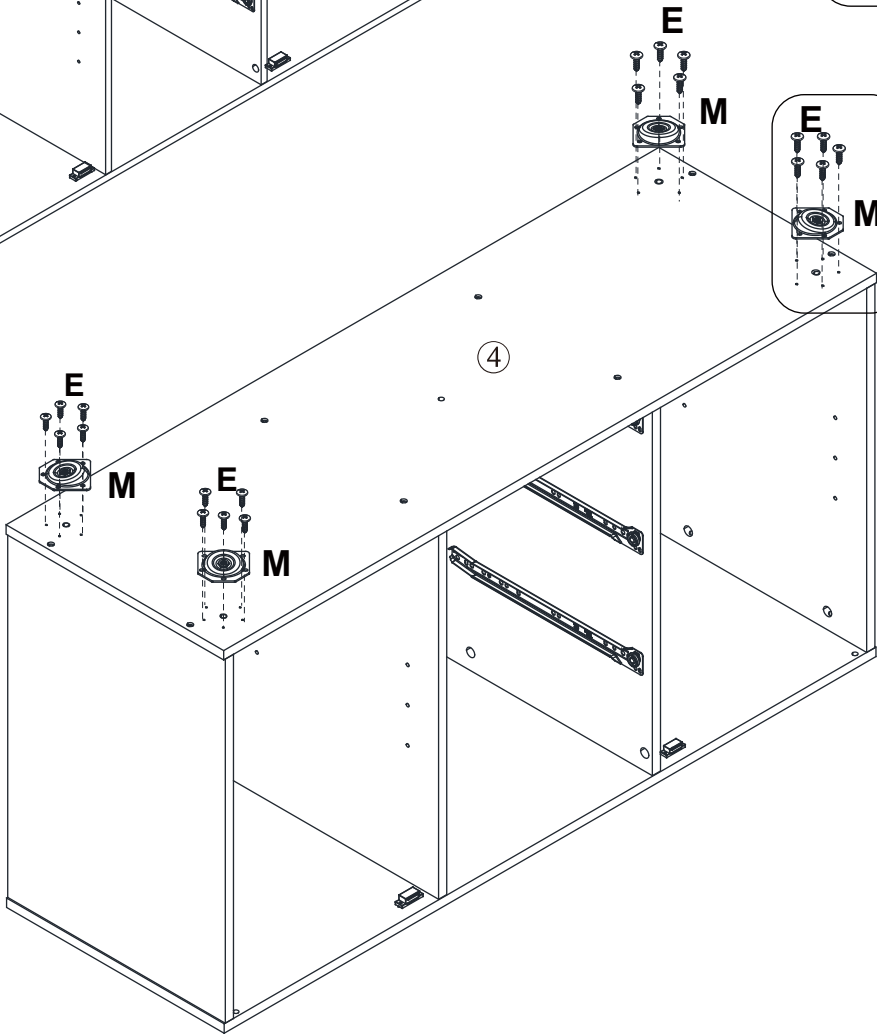
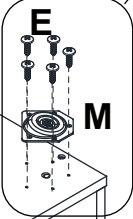
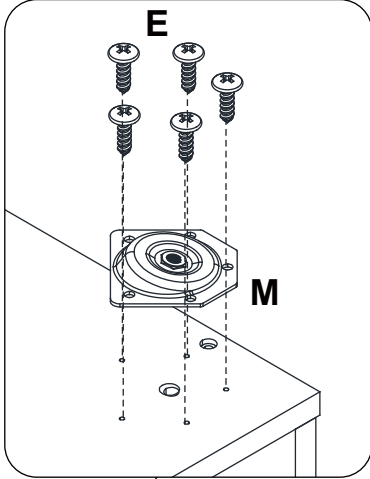
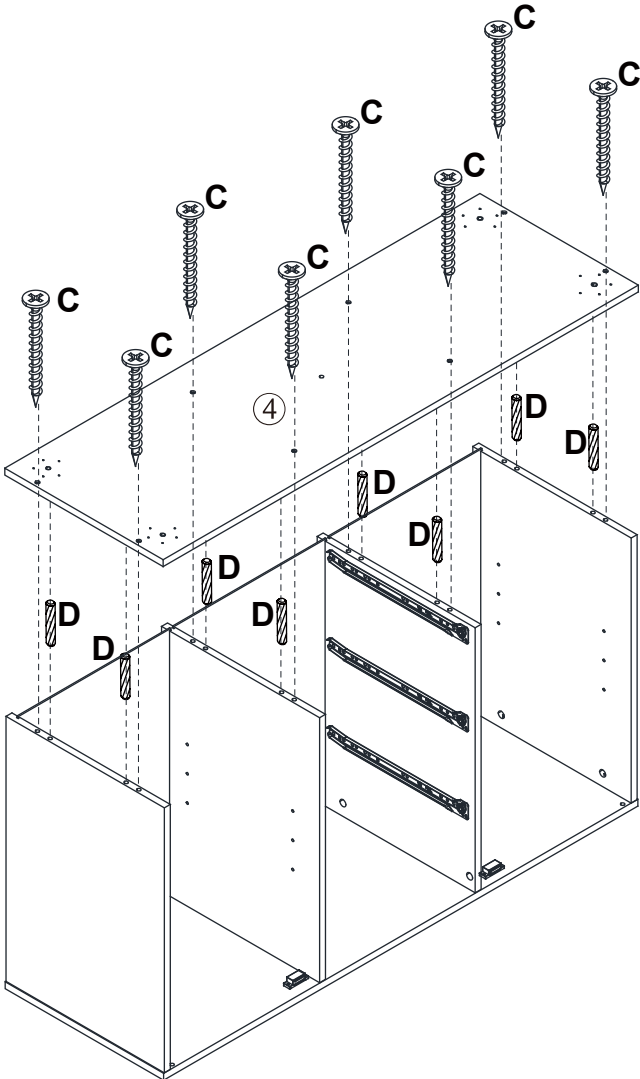
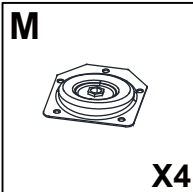
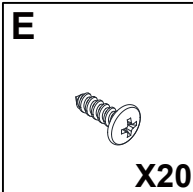
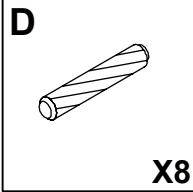
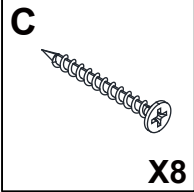


# Step 5

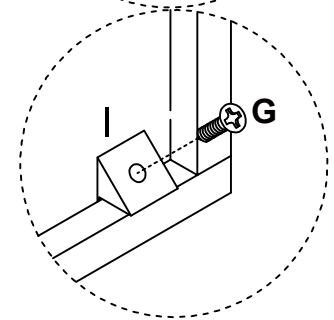
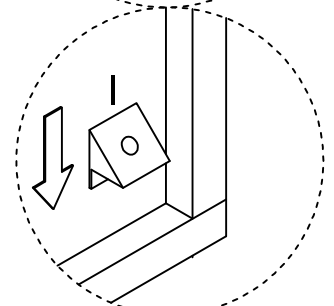
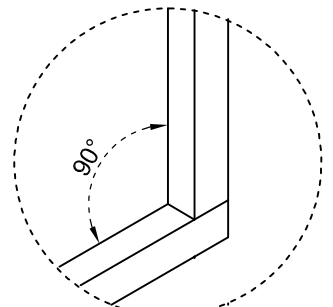
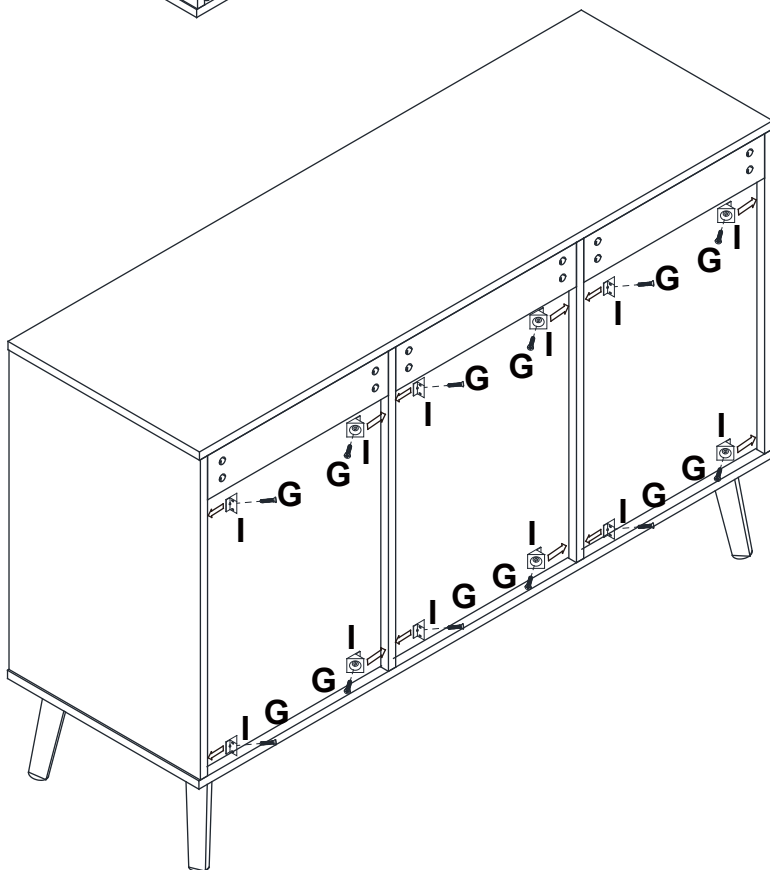
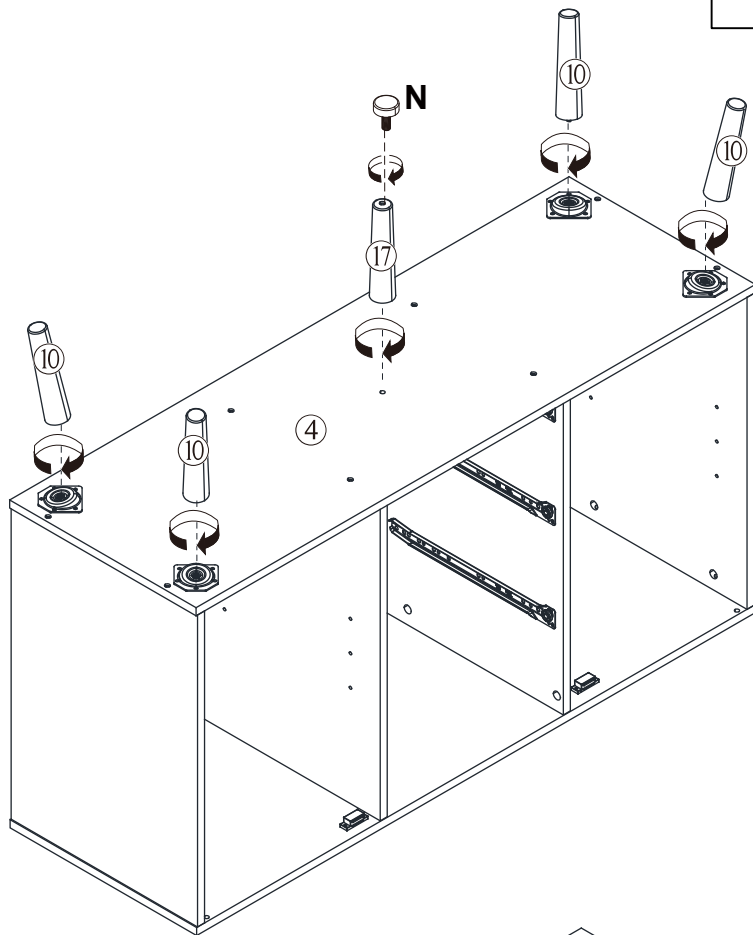
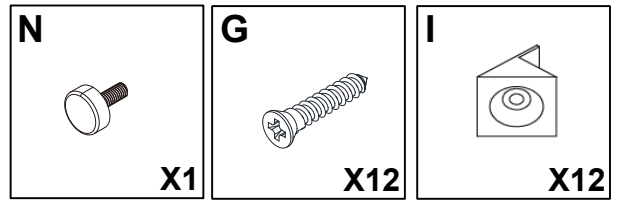
<b>G</b>  <b>X4</b>	<b>O</b>  <b>X2</b>
--	--



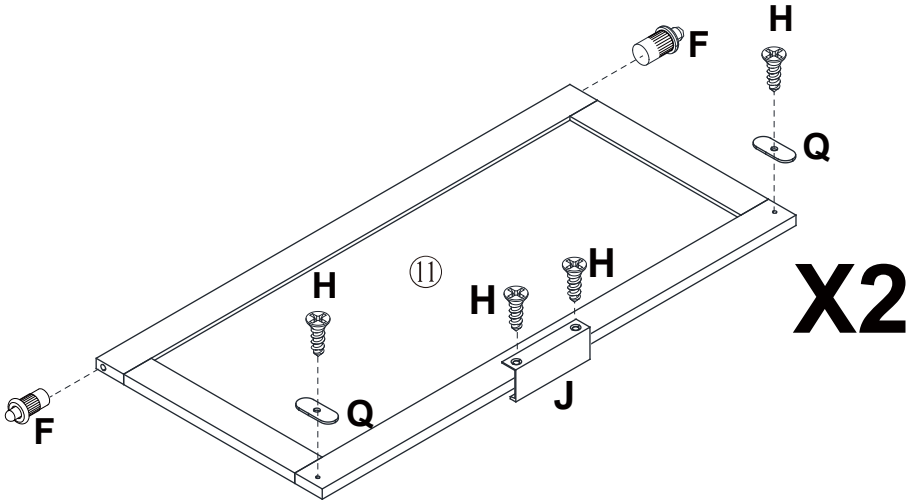
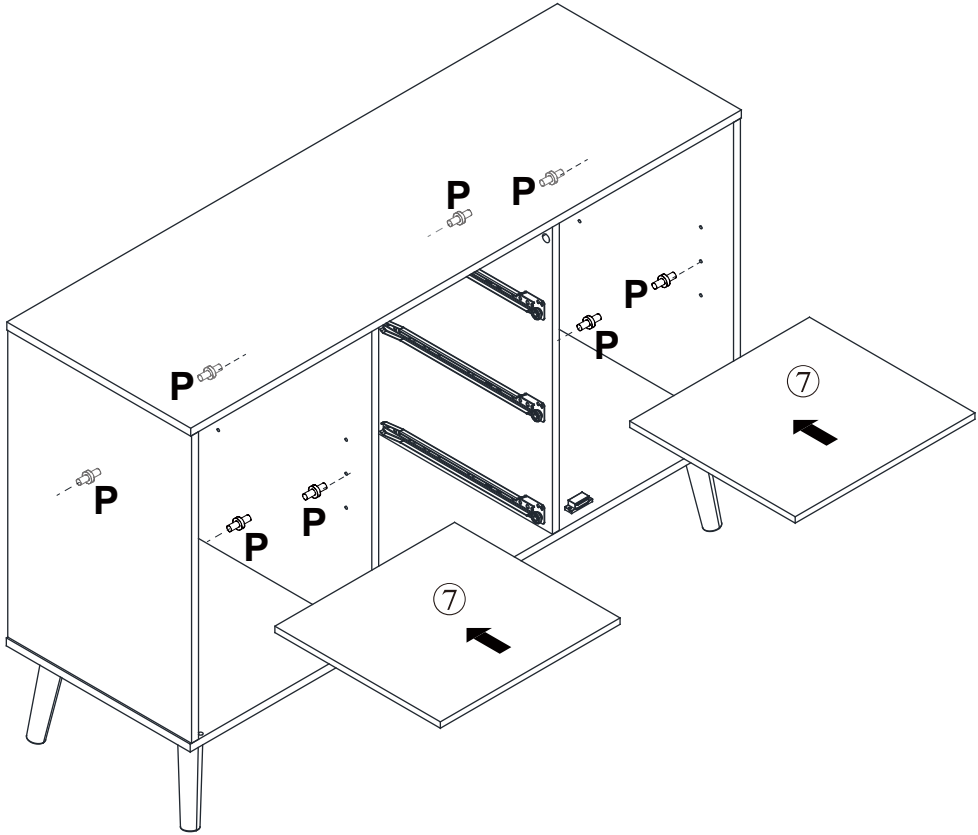
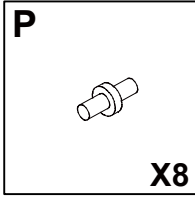
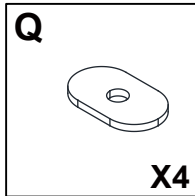
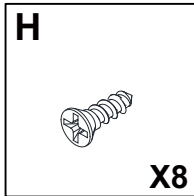
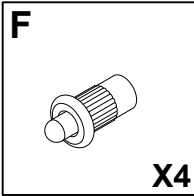
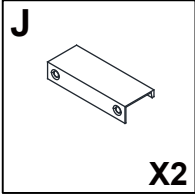
# Step 6



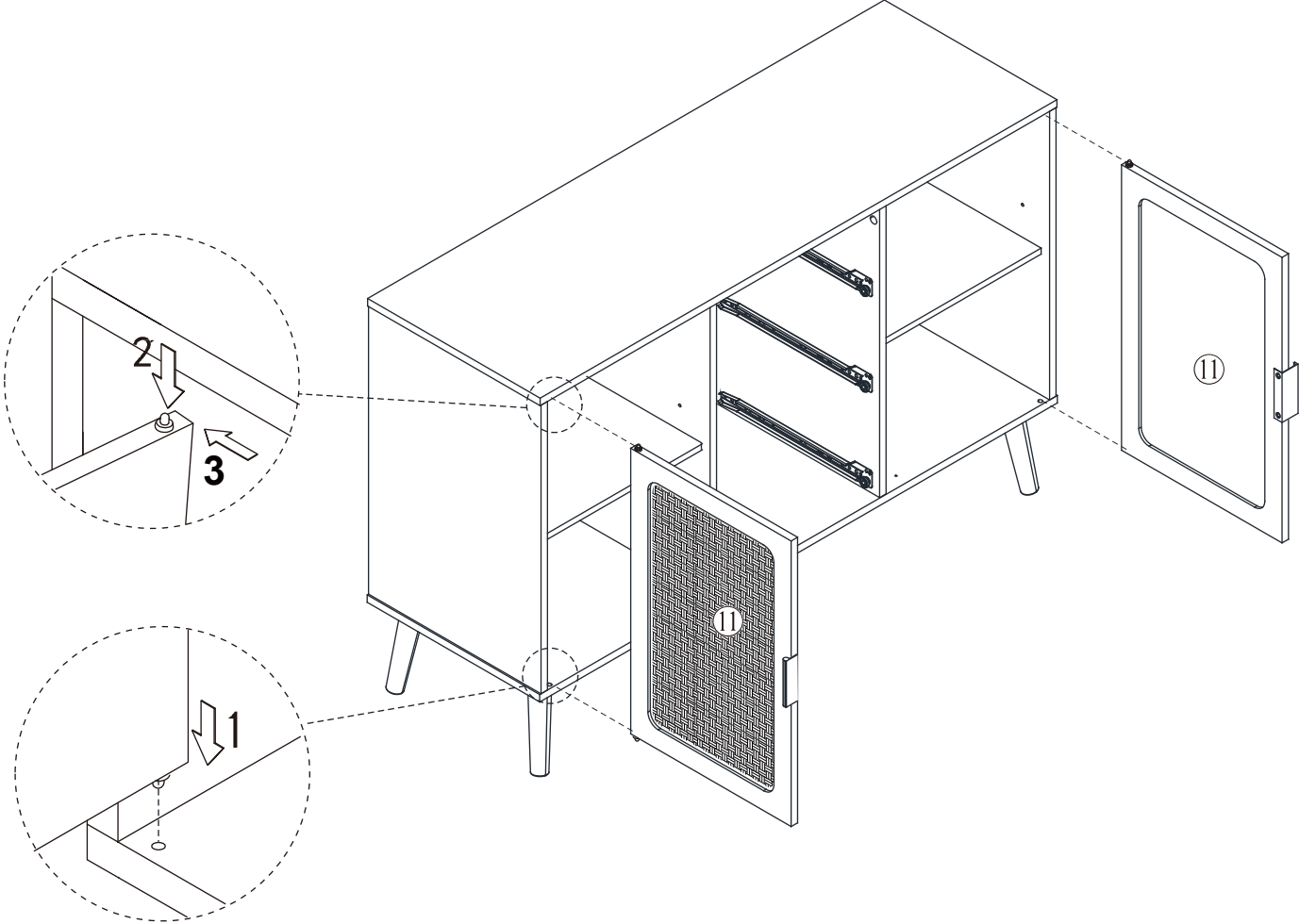
# Step 7



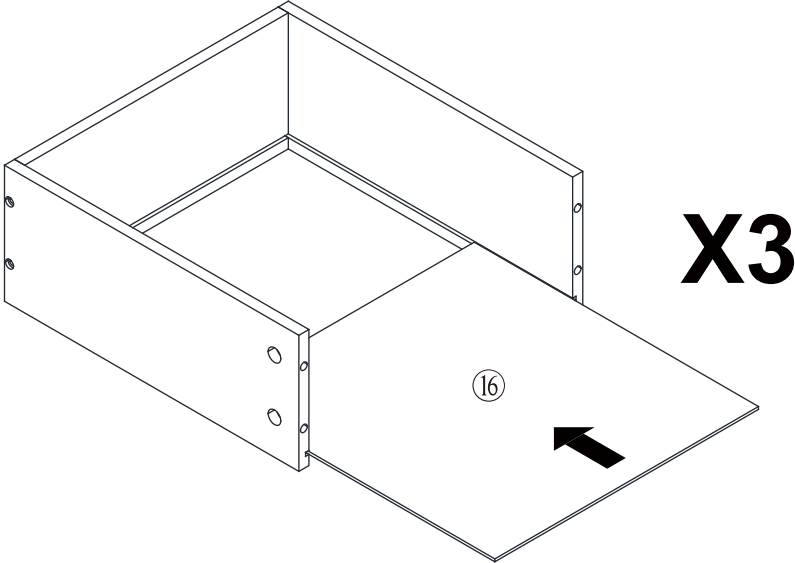
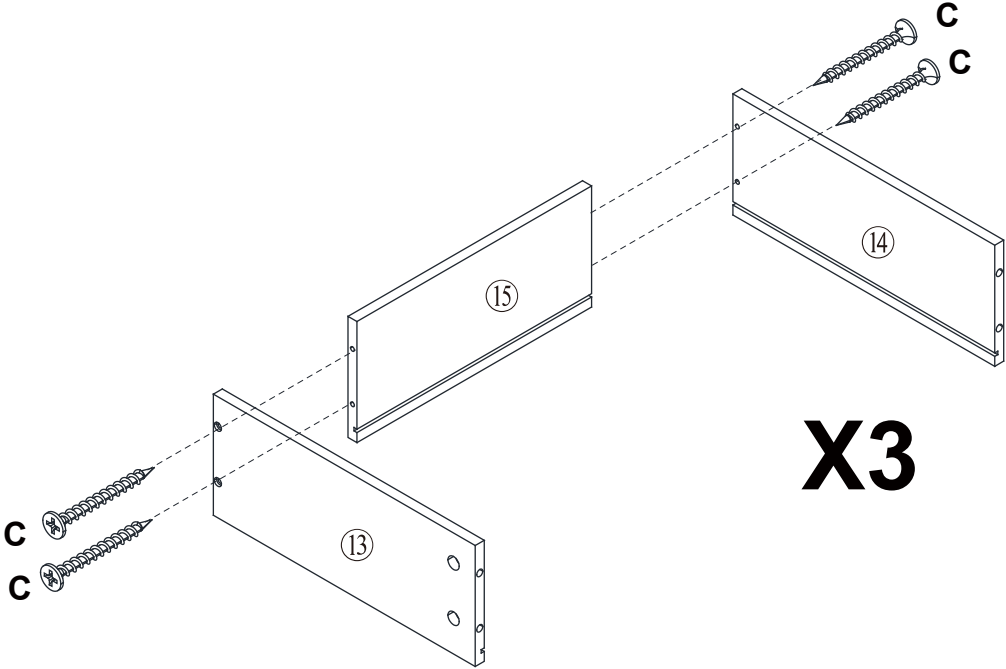
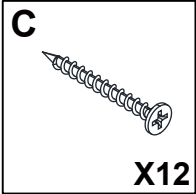
# Step 8



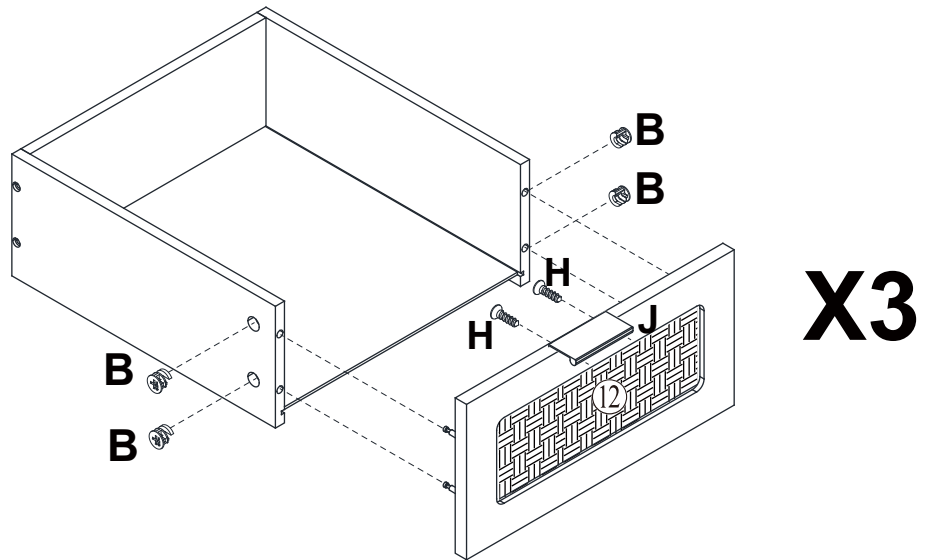
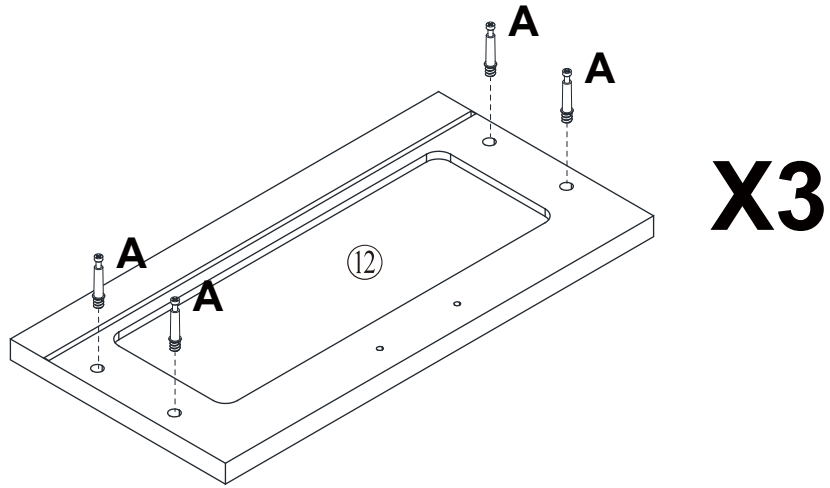
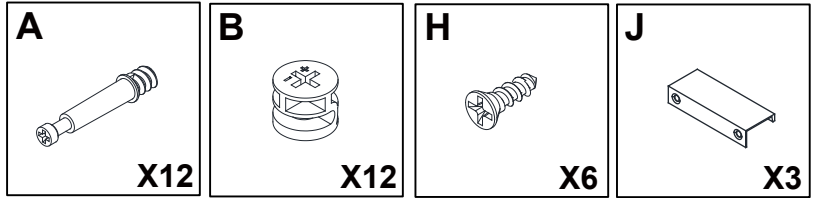
# Step 9



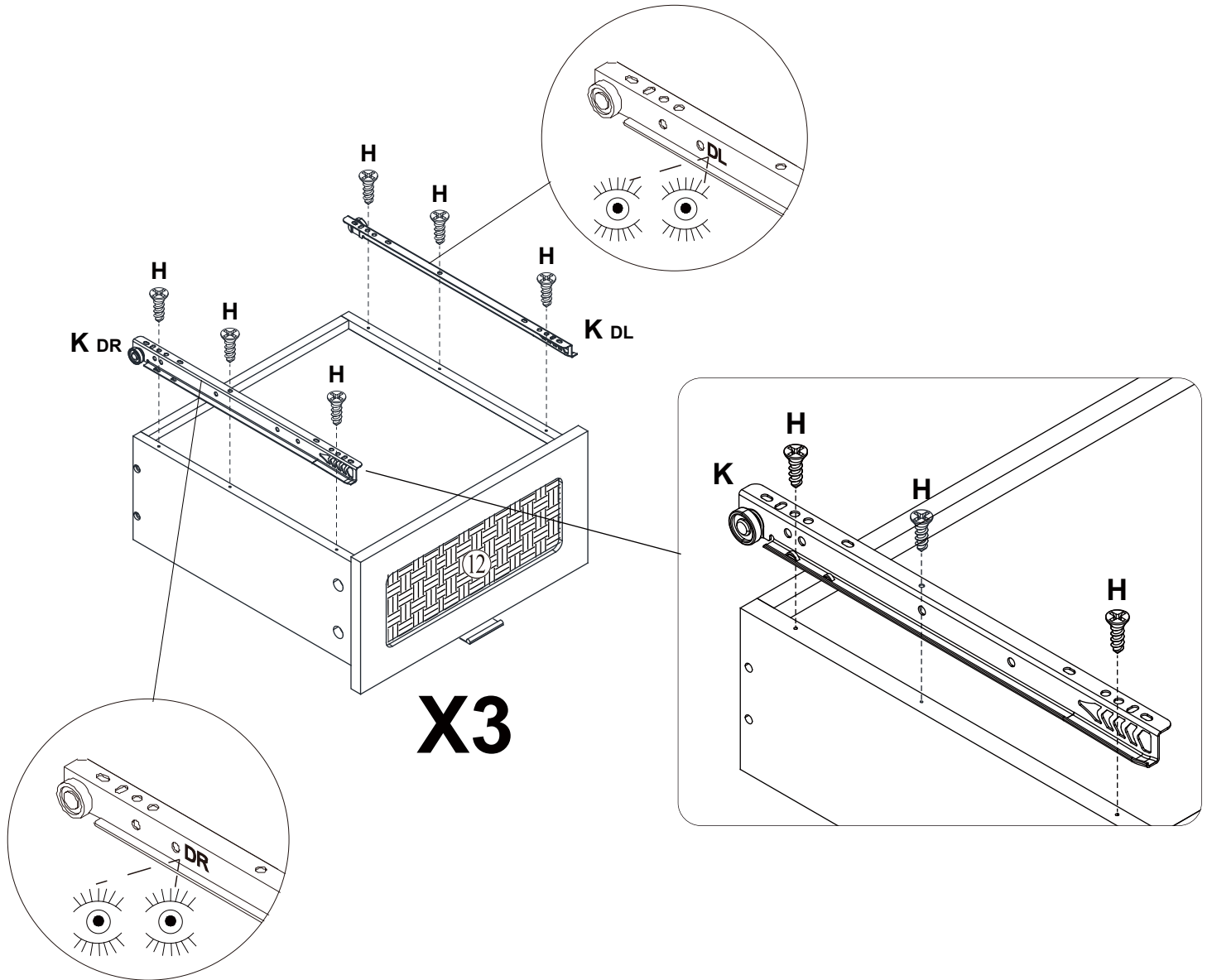
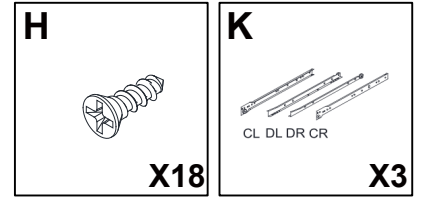
# Step 10



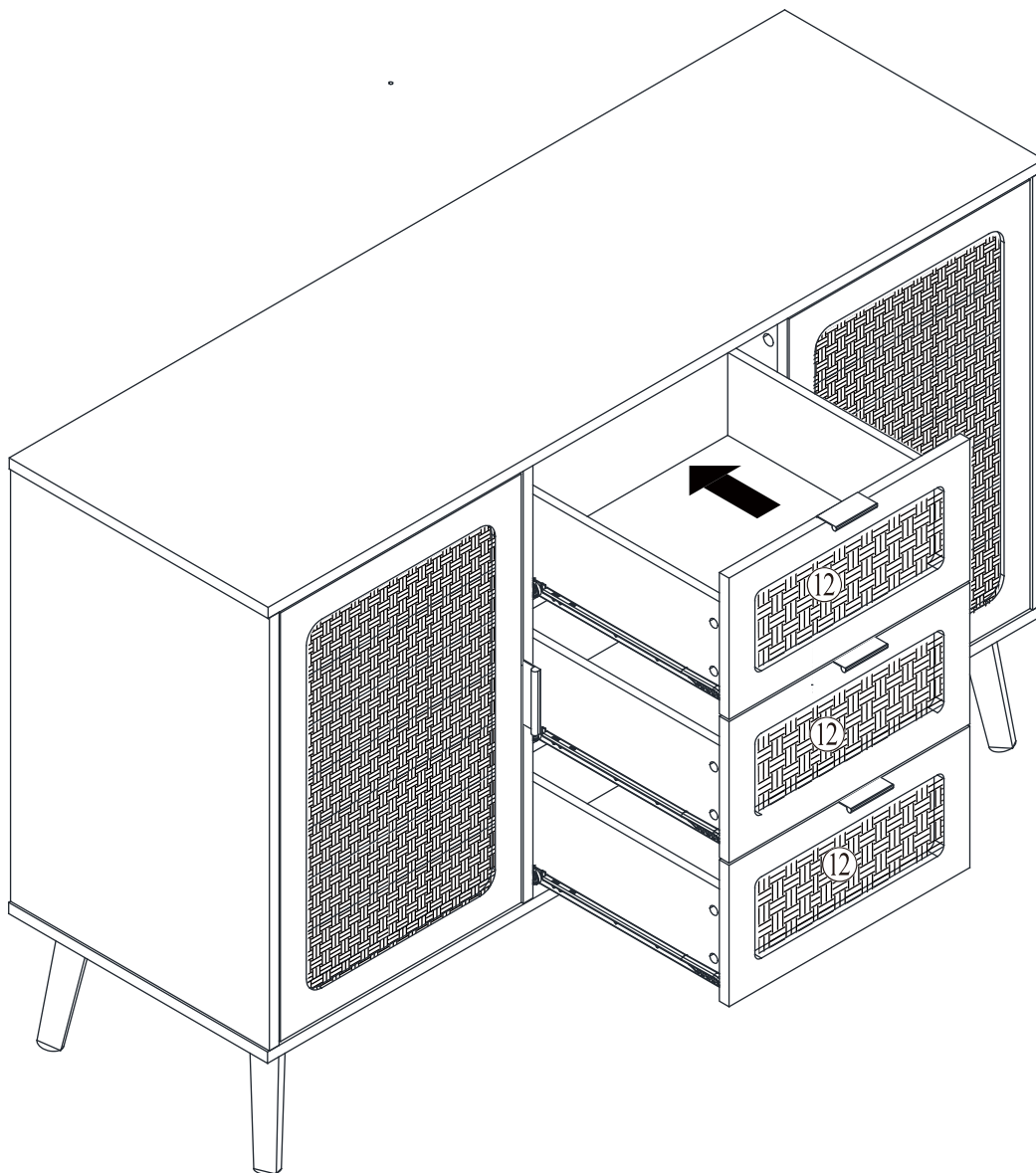
# Step 11



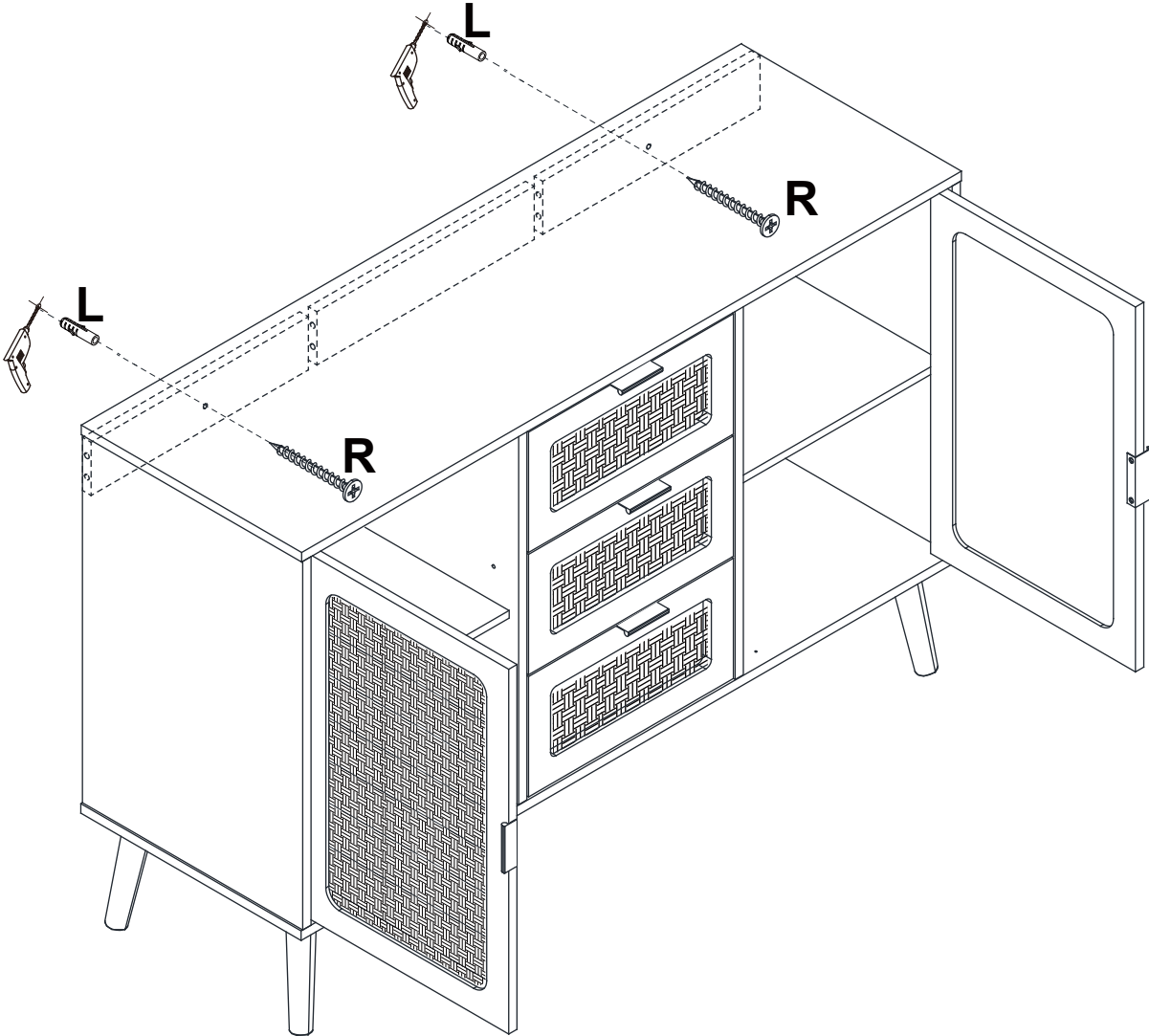
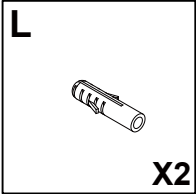
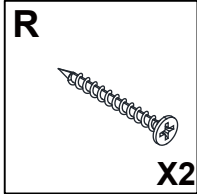
# Step 12



# Step 13



# Step 14



# Proper Use

- DO NOT** use for commercial purposes
- DO NOT** use as a step stool or stand on table
- DO NOT** put hot serving liquid directly on the table top
- DO NOT** leave spilled liquid on the table top
- DO NOT** use table if damaged
- DO NOT** exceed weight limit
- DO NOT** make temporary repairs
- DO NOT** use outdoor