

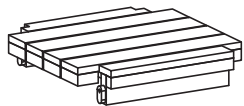
①  M7x90mm X 8

②  M7/M16 x 1mm X 4

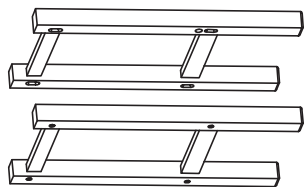
③  M6 x 35mm X 4

④  M4 X 2

Parts



◇ A X 1



◇ B X 2



◇ C X 2

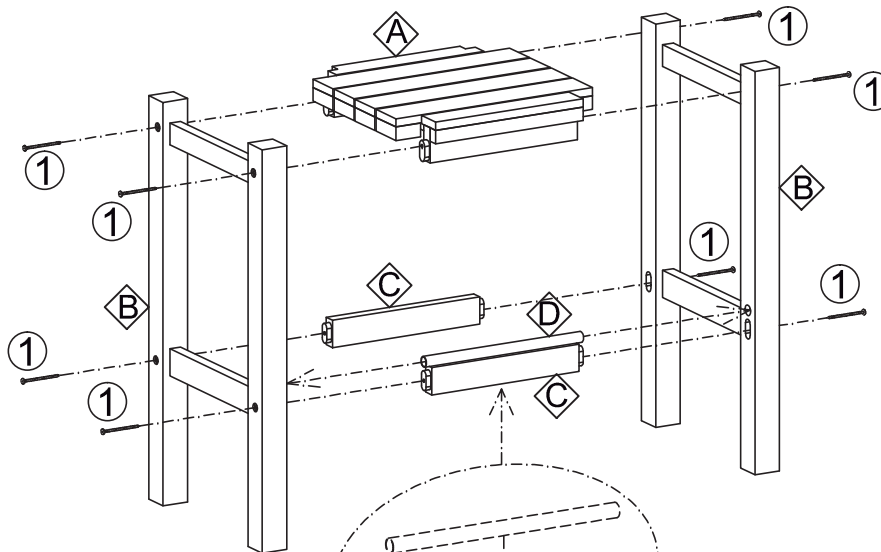


◇ D X 1



◇ E X 1

Step 1



Step 2

