

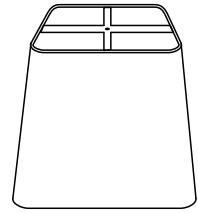
# ASSEMBLY INSTRUCTION

## Article 2300401

### PARTS / HARDWARE



Part A  
(Table Top in 2 Sizes)



Part B  
(2 Bases, Big and Small Sizes)

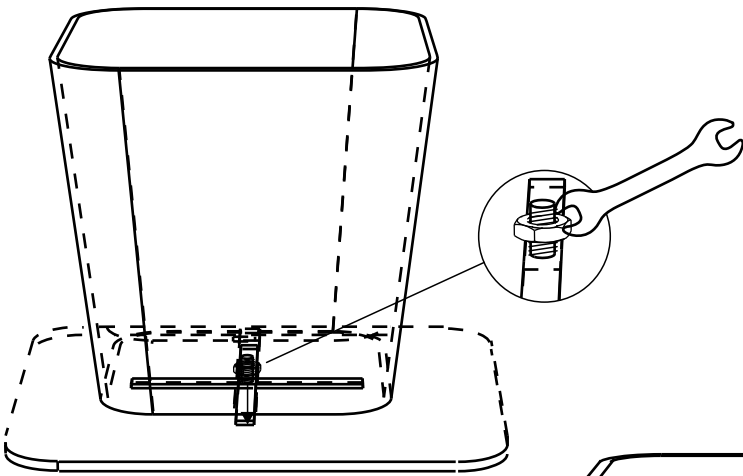
### How to Assemble

#### STEP - 1

Unwrap the table From Packaging

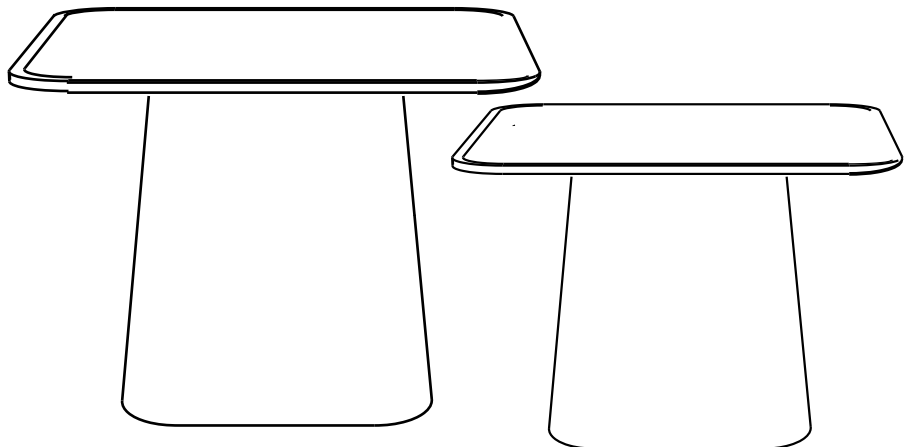
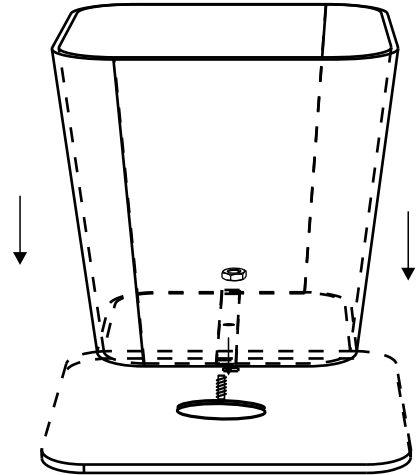


#### STEP - 3



#### STEP - 2

Place the base upside down as shown  
Fit the Base as shown



#### Final Product

Thank you for your purchase