

ASSEMBLY INSTRUCTIONS



ACCENT CABINET

ASSEMBLY INSTRUCTIONS

ASSEMBLY TIPS:

1. Remove hardware from box and sort by size.
2. Please check to see that all hardware and parts are present prior to start of assembly.
3. Please follow attached instructions in the same sequence as numbered to assure fast & easy assembly.



WARNING!

1. Don't attempt to repair or modify parts that are broken or defective. Please contact the store immediately.
2. This product is for home use only and not intended for commercial establishments.

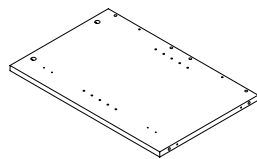


ASSEMBLY TIME

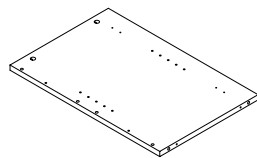
60 MINUTES

PARTS IDENTIFICATION

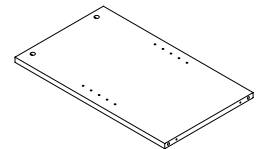
A LEFT SIDE PANEL 1 PC



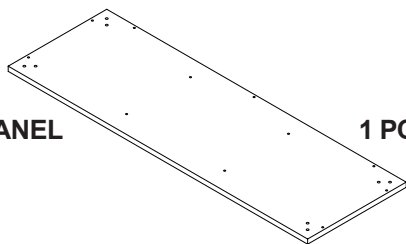
B RIGHT SIDE PANEL 1 PC



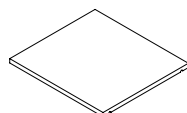
C DIVIDER PANEL 2 PCS



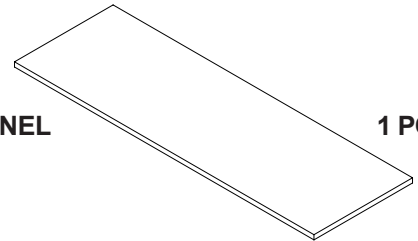
D BOTTOM PANEL 1 PC



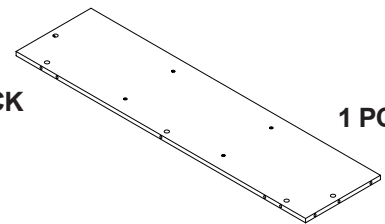
E ADJUSTABLE PANEL 3 PCS



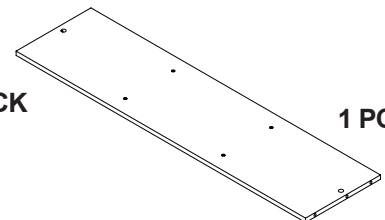
F TOP PANEL 1 PC



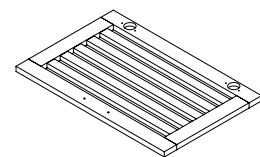
G UPPER BACK PANEL 1 PC



H LOWER BACK PANEL 1 PC



I DOOR 2 PCS

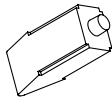

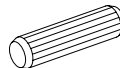
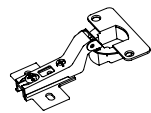
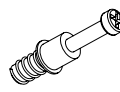

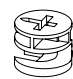
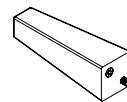


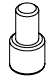

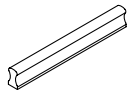
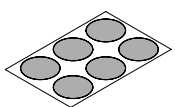


NOTE:

Phillips head screw driver is required in the assembly process; however, manufacturer does not provide this item.

HARDWARE IDENTIFICATION

Z

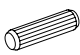
NO	DESCRIPTION	FIGURE	Q'TY	NO	DESCRIPTION	FIGURE	Q'TY
1	GLUE 40g		1 PC	8	HANDLE BOLT Ø4x28mm BLK		4 PCS
2	WOODEN DOWEL Ø8x30mm		28 PCS	9	HINGE Ø35mm SR		4 PCS
3	CAM BOLT Ø7x35.5mm SR		15 PCS	10	HINGE SCREW Ø4x15mm SR		16 PCS
4	CAM LOCK Ø15x12mm SR		15 PCS	11	LEG		4 PCS
5	SCREW Ø4.5x42mm SR		19 PCS	12	BOLT M6x33mm BLK		4 PCS
6	PIN FOR ADJUSTABLE SHELF Ø4.9x15mm SR		12 PCS	13	ALLEN WRENCH 4mm SR		1 PC
7	HANDLE L= 120mm BLK		2 PCS	14	STICKER Ø20mm		3 PCS


Z7,Z8,Z9,Z11 not included in blister packaging.

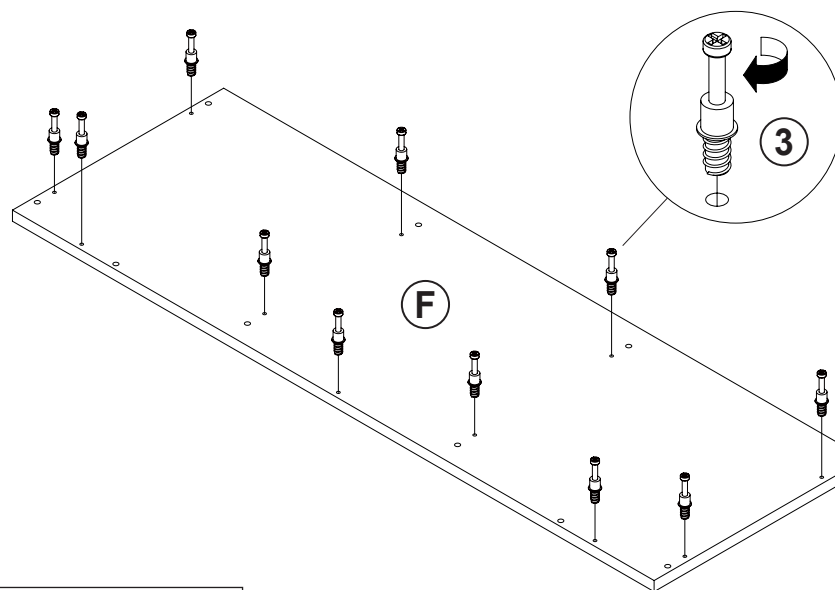
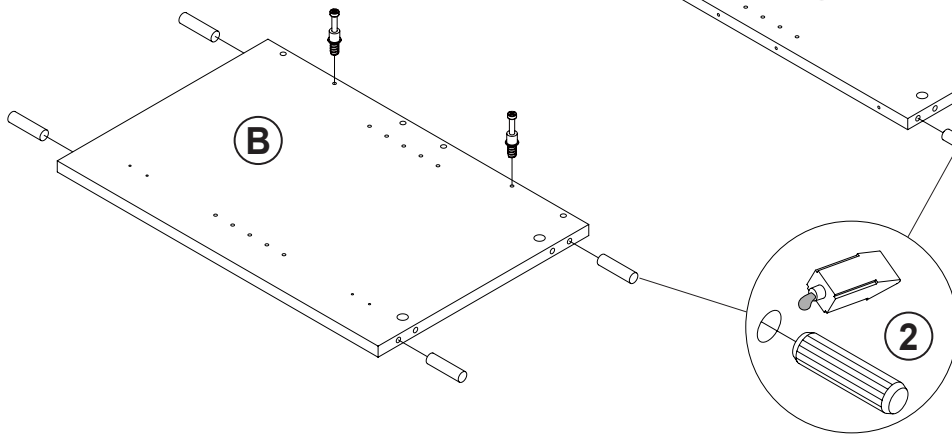
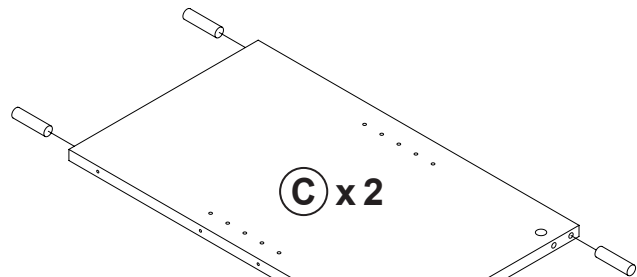
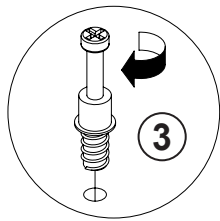
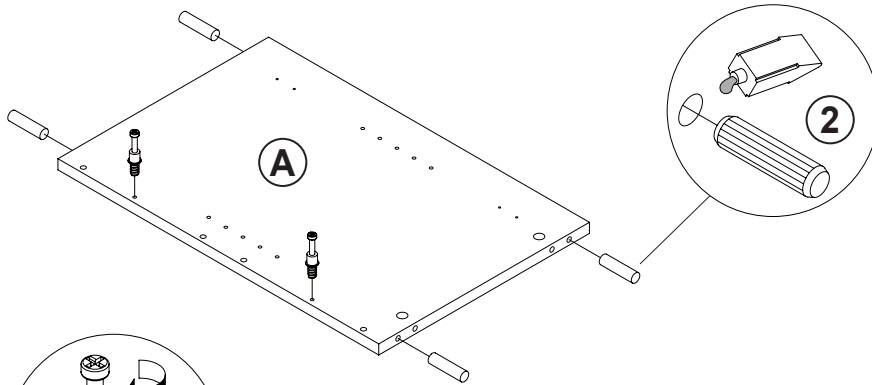
NOTE:

Phillips head screw driver is required in the assembly process; however, manufacturer does not provide this item.

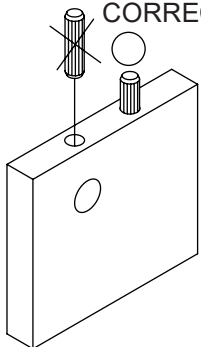
STEP 1

 **2**
x 16

 **3**
x 15

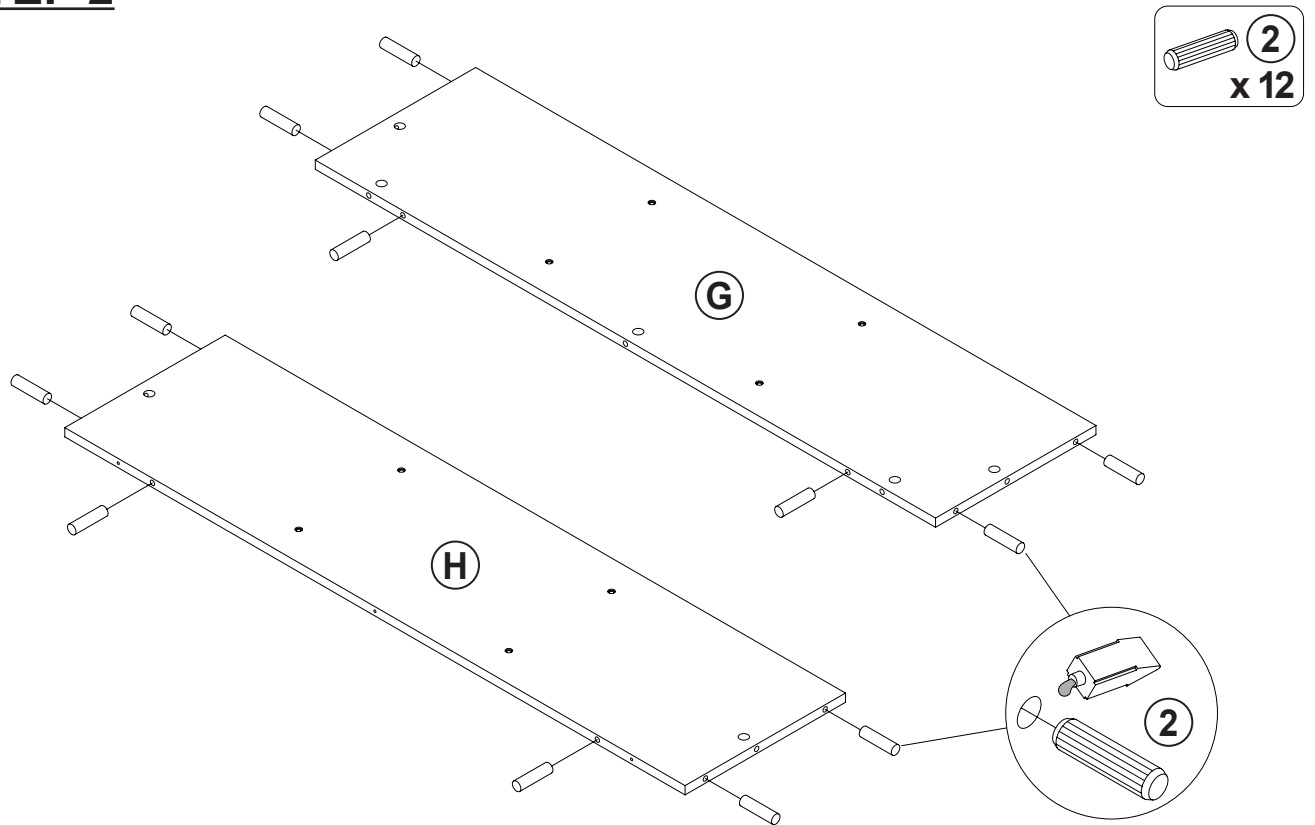


INCORRECT
CORRECT

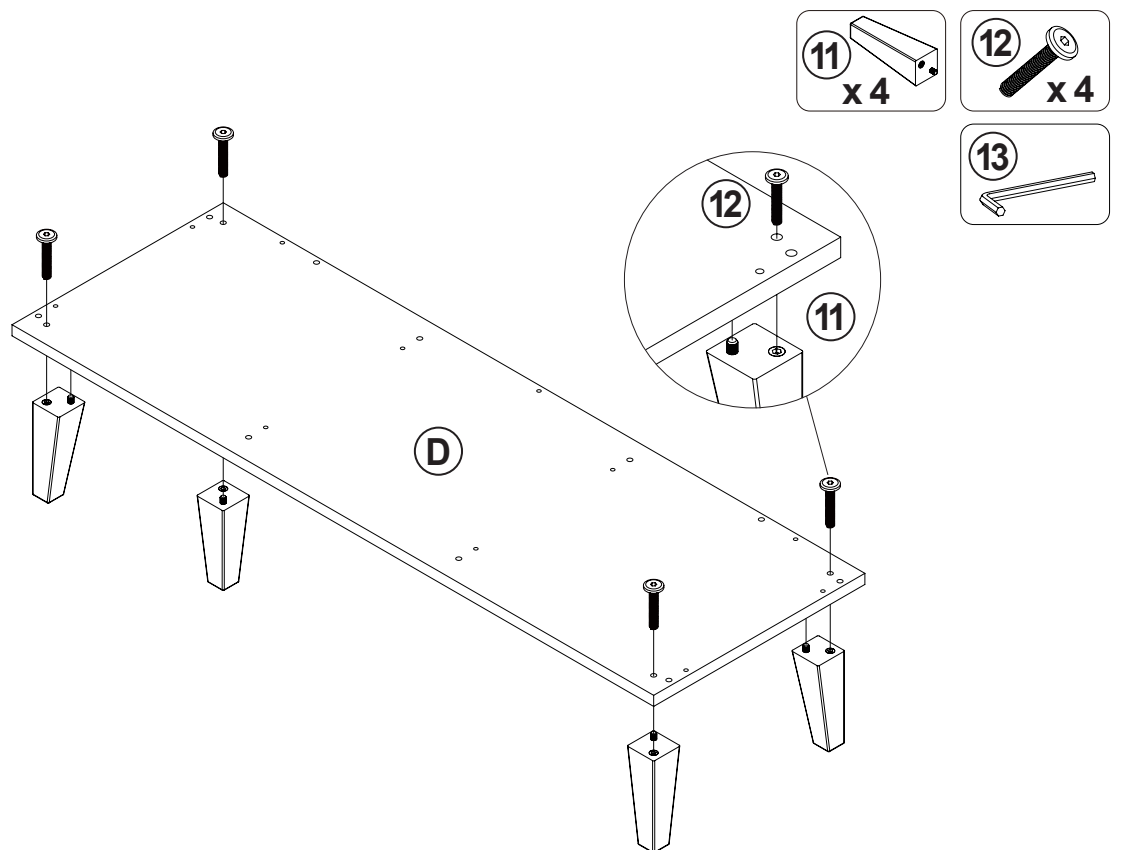


Apply glue on all wooden dowels to ensure integrity of the structure.

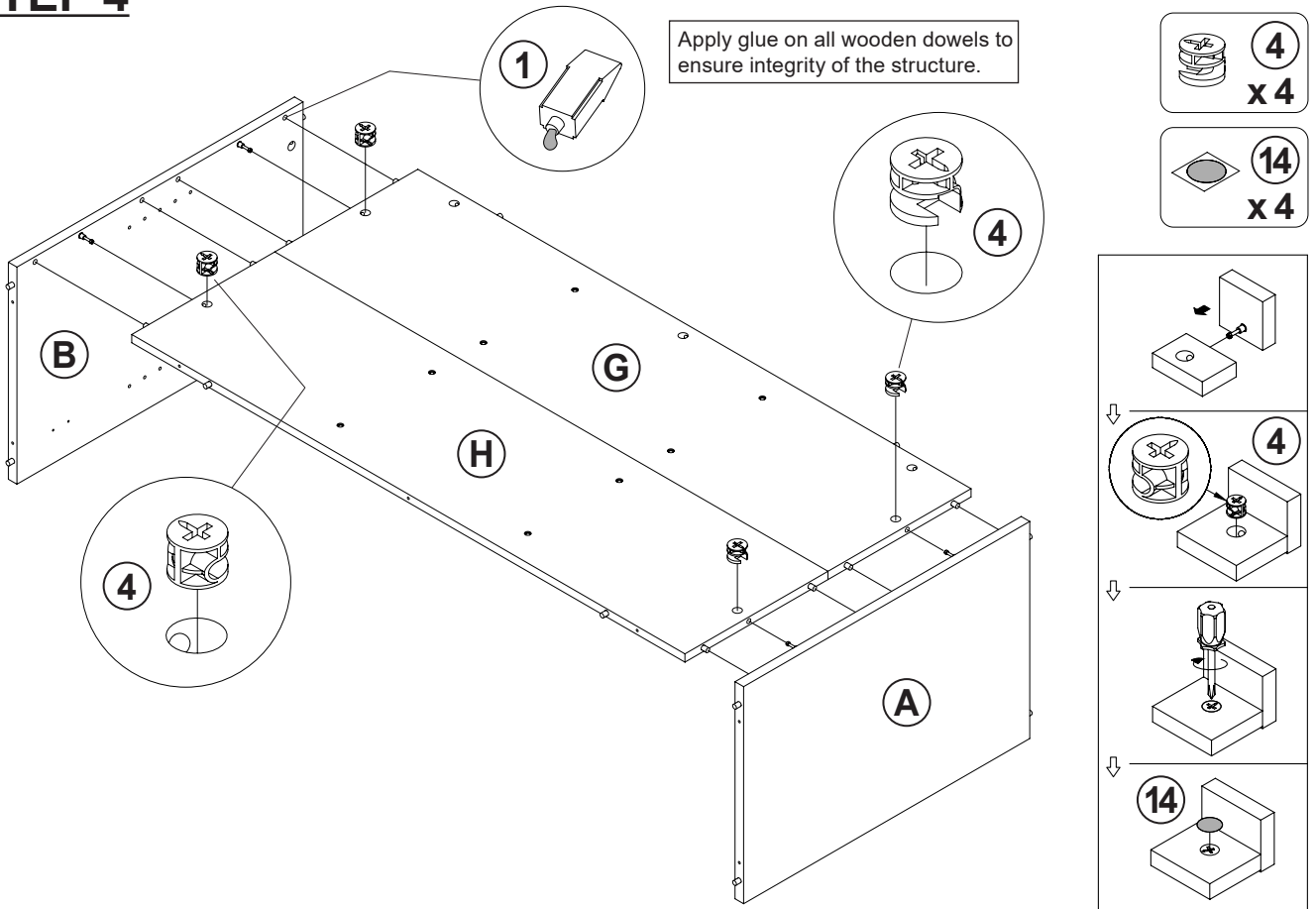
STEP 2



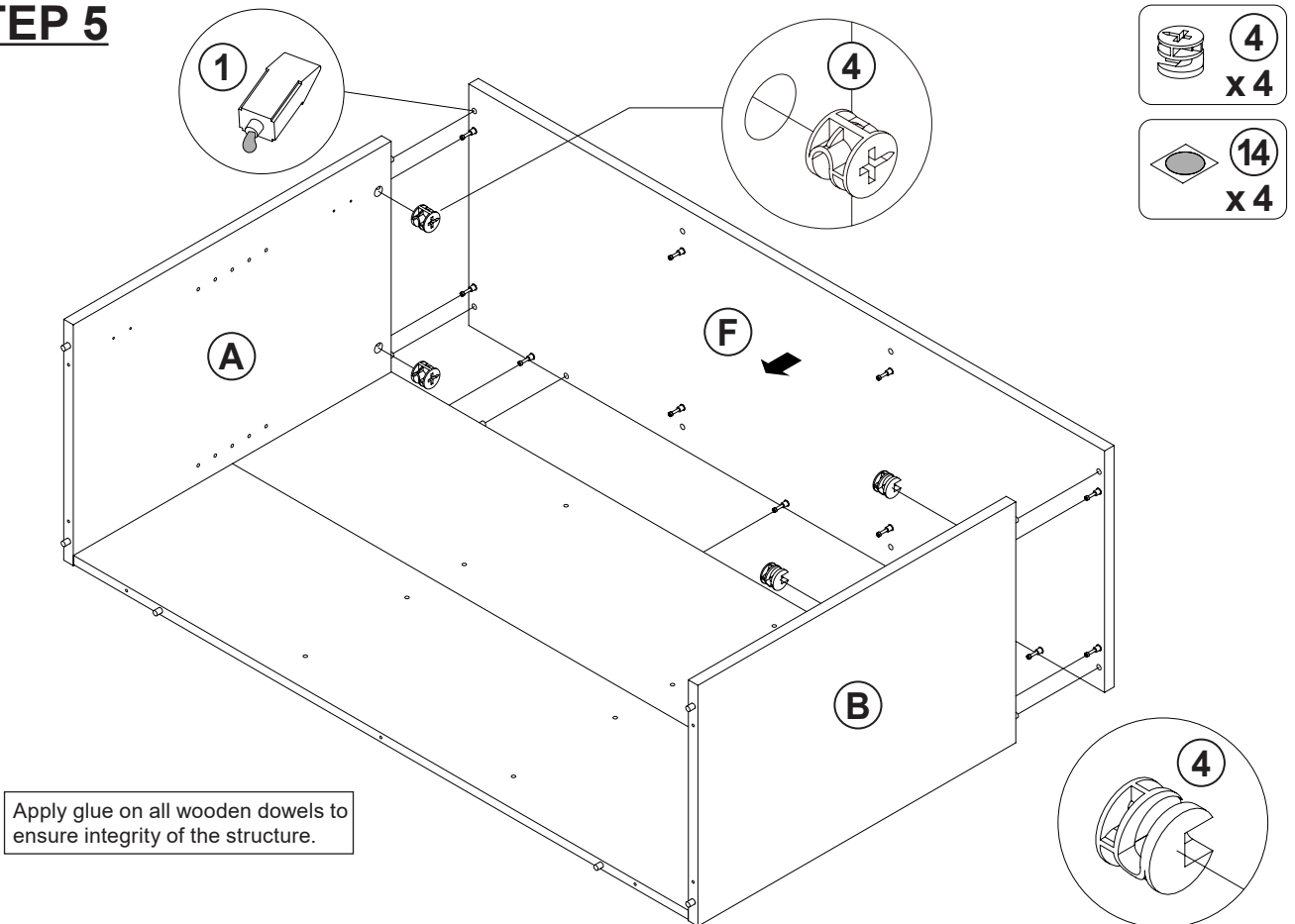
STEP 3



STEP 4

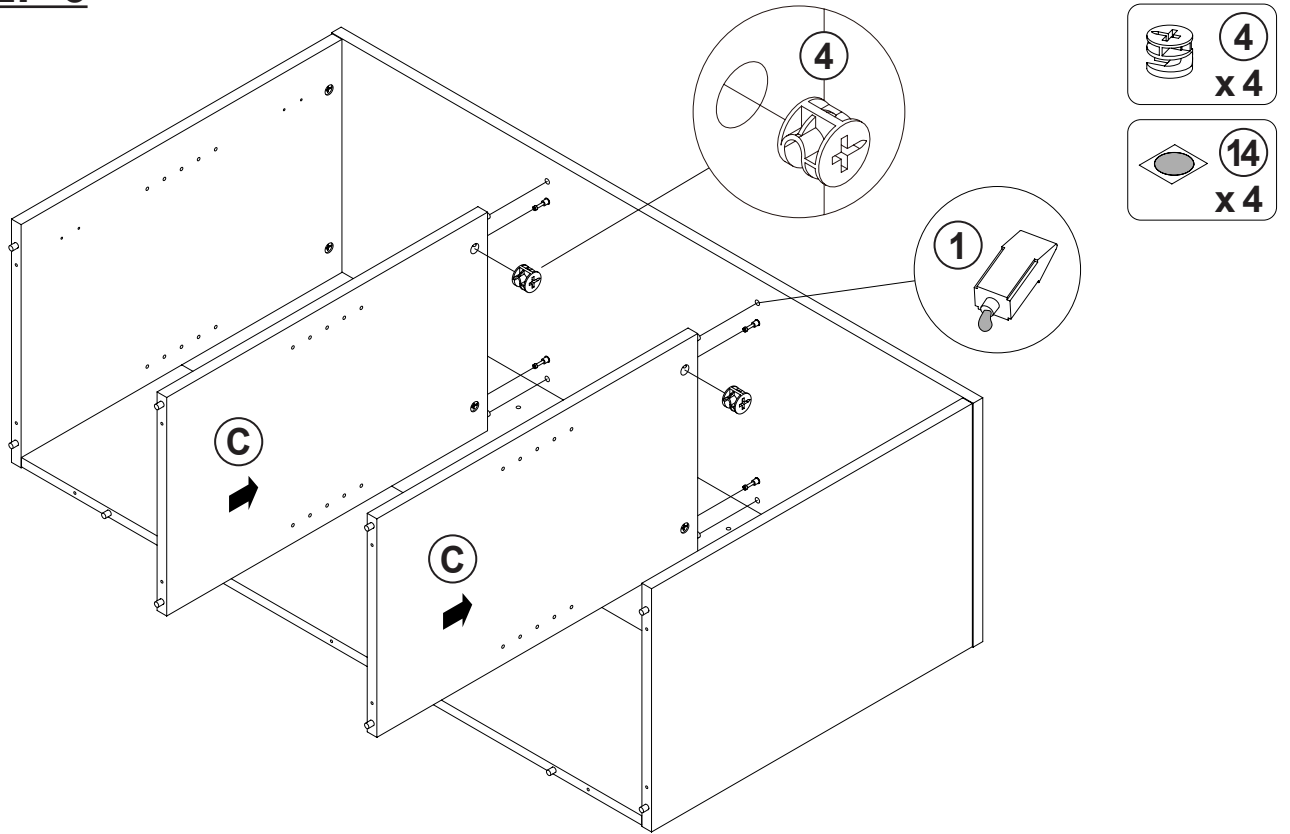


STEP 5

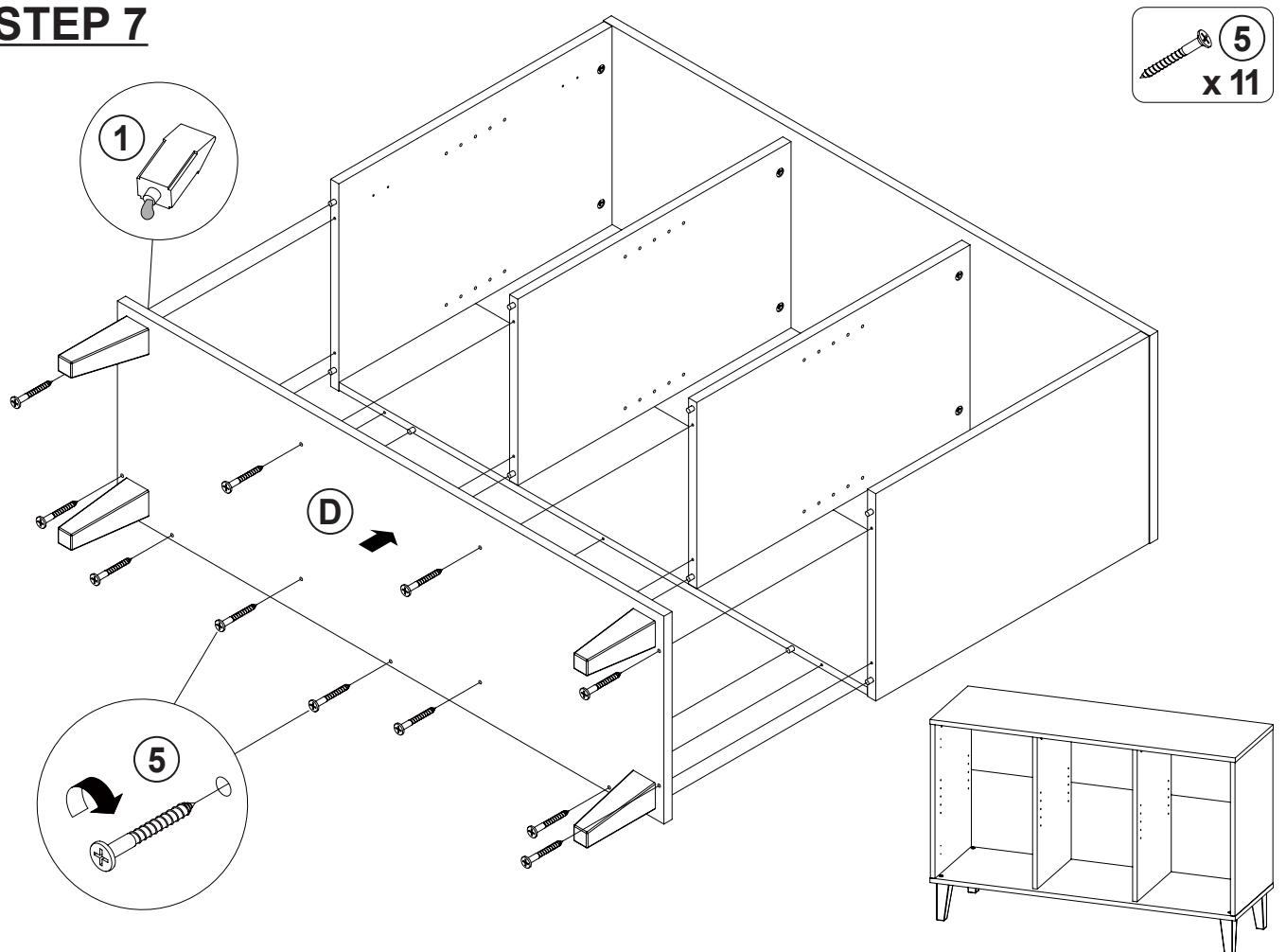


Apply glue on all wooden dowels to ensure integrity of the structure.

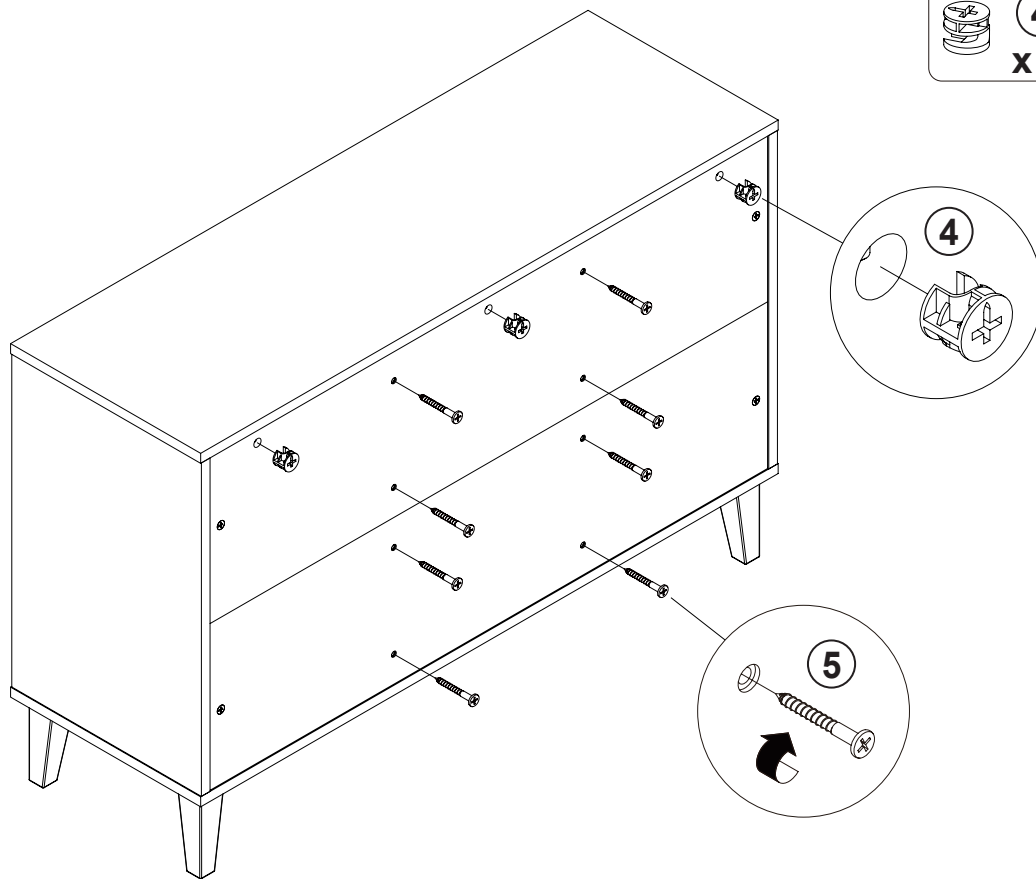
STEP 6



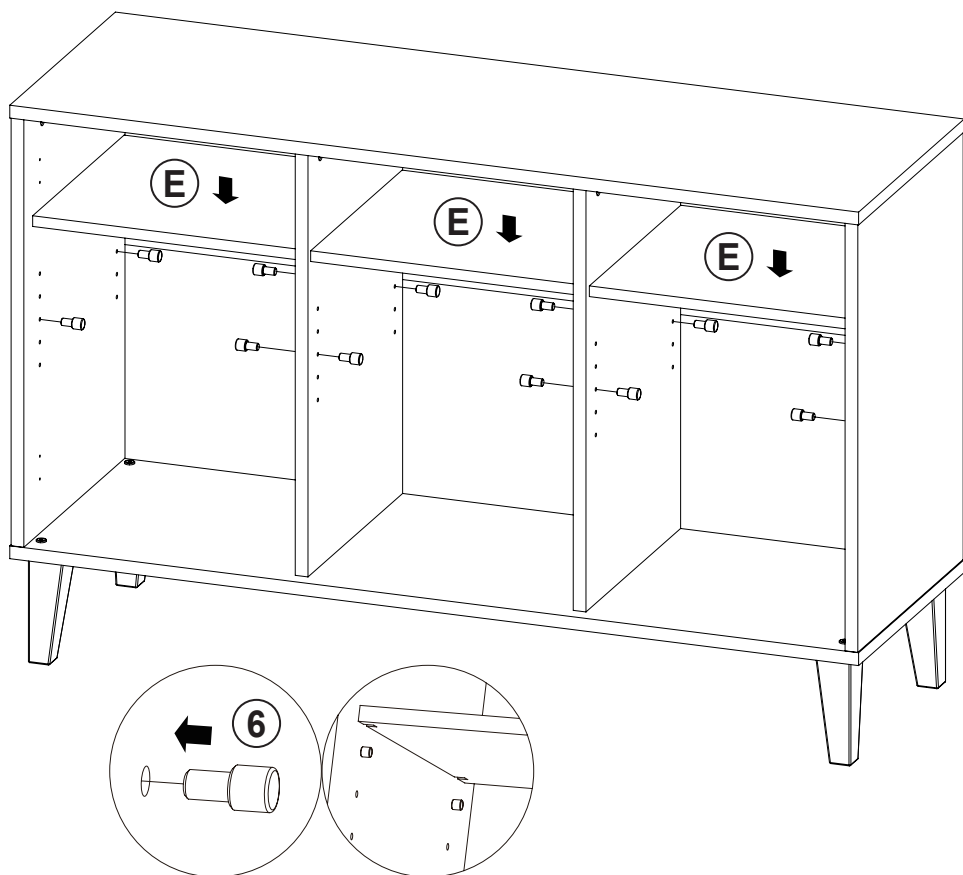
STEP 7



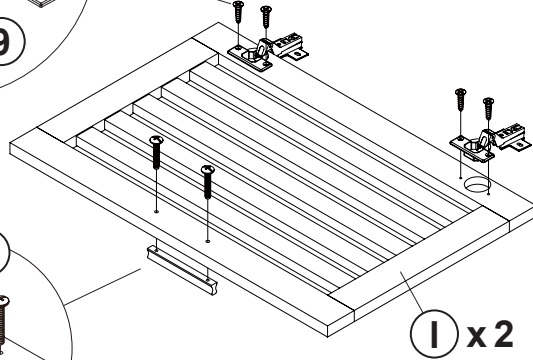
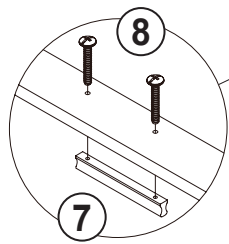
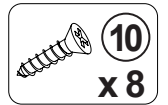
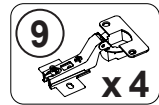
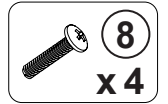
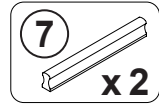
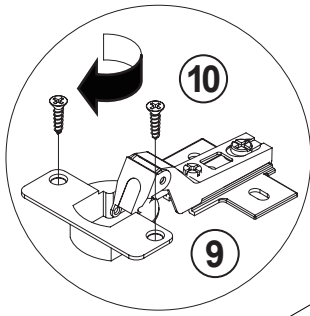
STEP 8



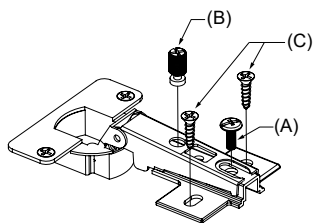
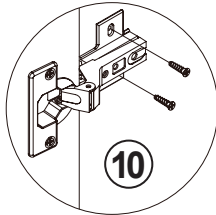
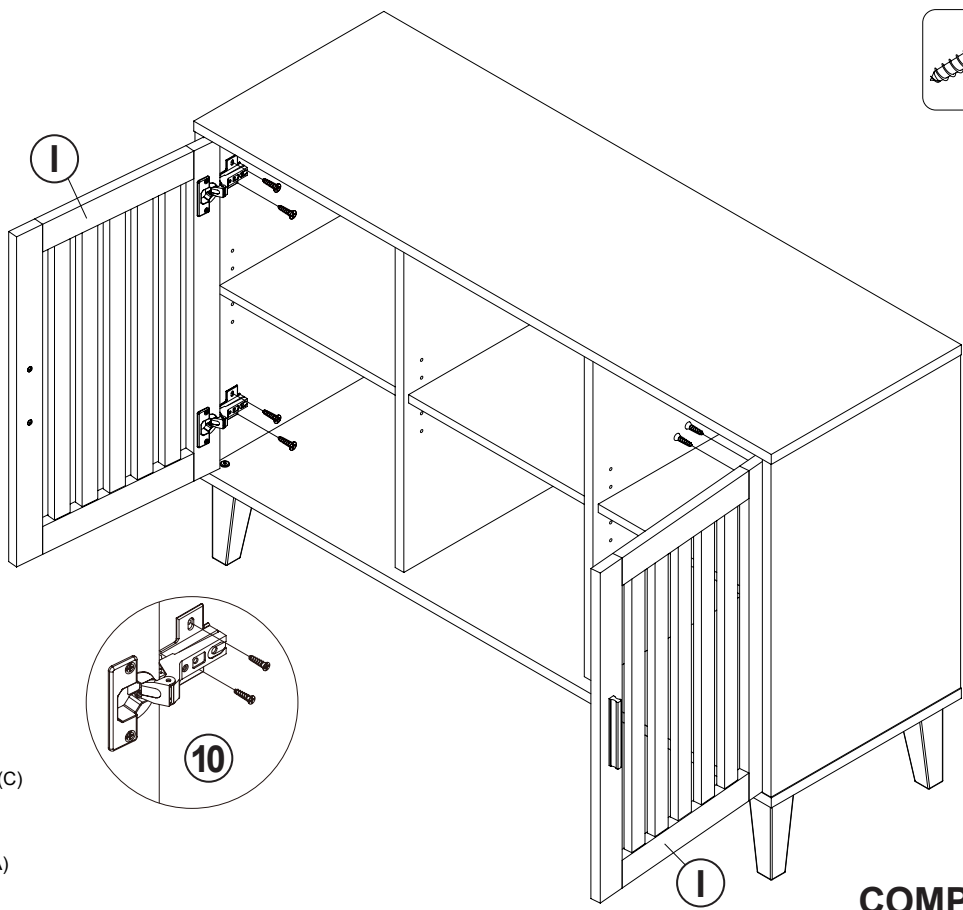
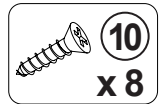
STEP 9



STEP 10



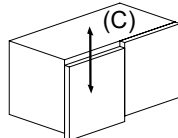
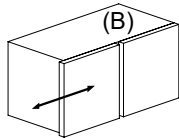
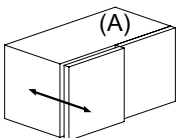
STEP 11



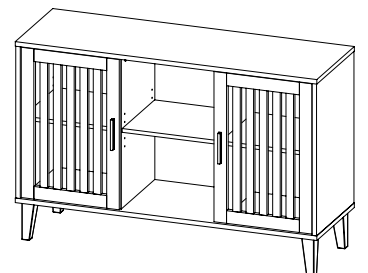
HORIZONTAL BY SCREW A ADJUSTMENT

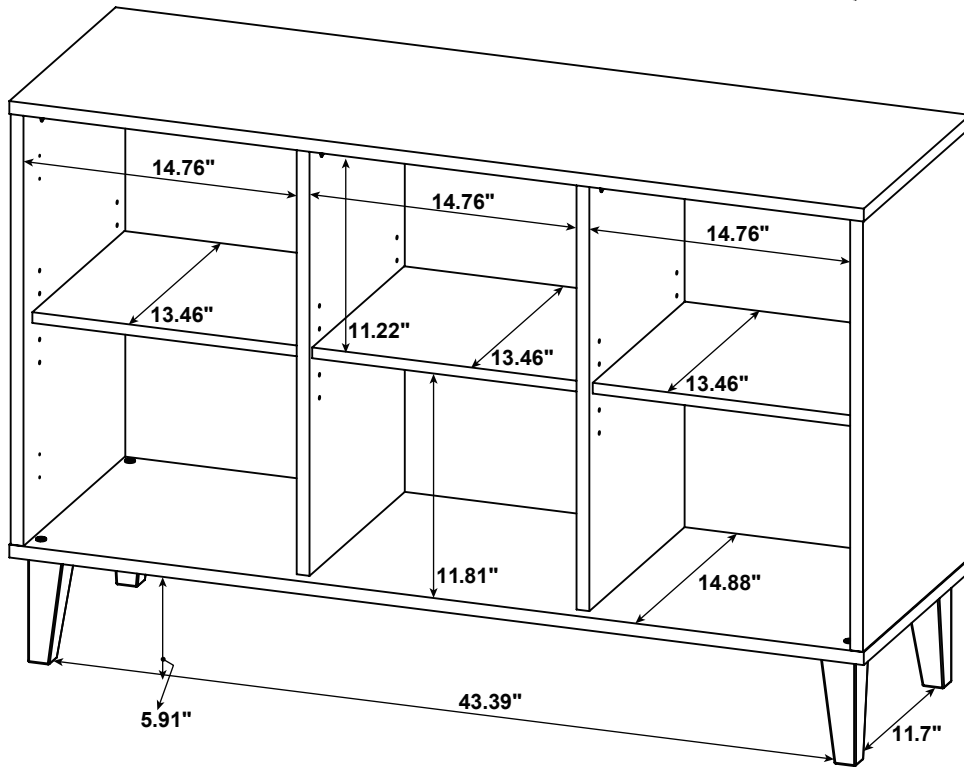
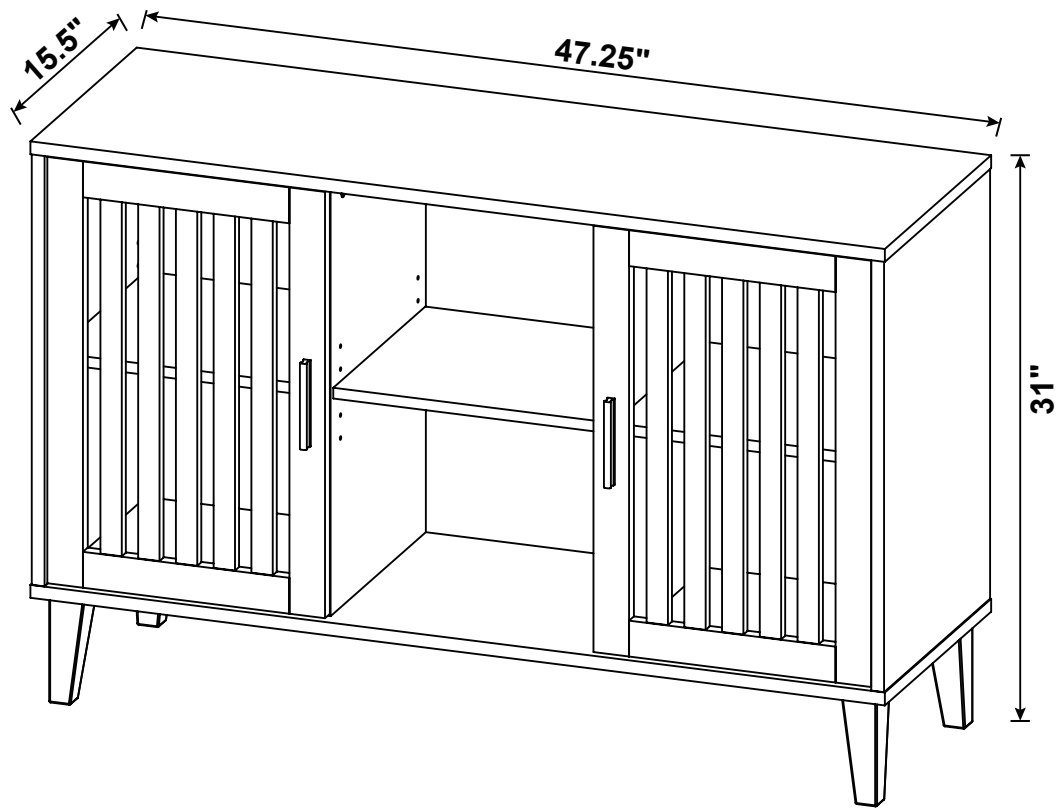
LATERAL BY SCREW B ADJUSTMENT

VERTICAL BY SCREW C ADJUSTMENT



COMPLETE





Note : Dimension tolerance $\pm 5\%$

ANTI-TIPPING INSTALLMENT INSTRUCTIONS

FURNITURE TIPPING RESTRAINT

WARNING

Injury may result from tipping furniture.
This restraint may protect against tipping furniture.
Do not allow children to climb on furniture.
This restraint is not a substitute for proper adult supervision.
Failure to detach this restraint before moving the furniture
may result in injury and damage.

1. To attach the anti-tip strap, securely mount one end to the top of the case piece with the 5/8" screw.
2. Position the case piece against the wall in the desired location.
3. Pull the anti-tip strap taut and mark the position of where you will secure the other end on the wall.
4. Drill a 1-1/4" hole in the spot you marked.
5. Tap in plastic wall plug.
6. Fasten anti-tip strap with wall screw provided.

(Please install the anti-tipping kit in the middle of the case piece if only have one set of anti-tipping kit.)

