







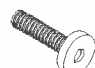



# ASSEMBLY INSTRUCTION

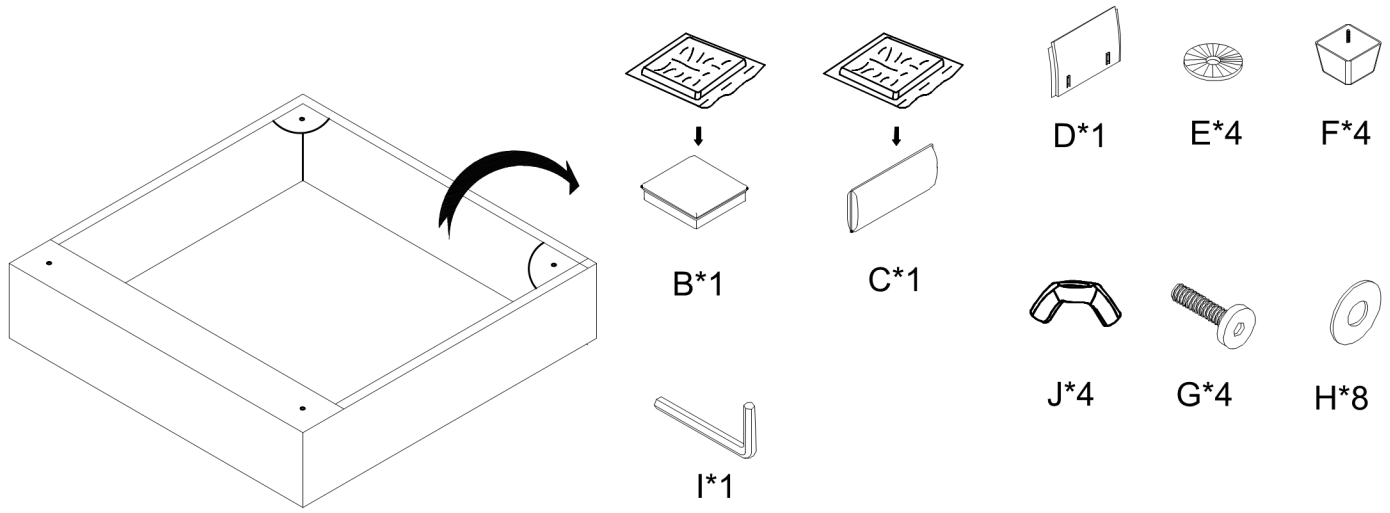
## Armless chair



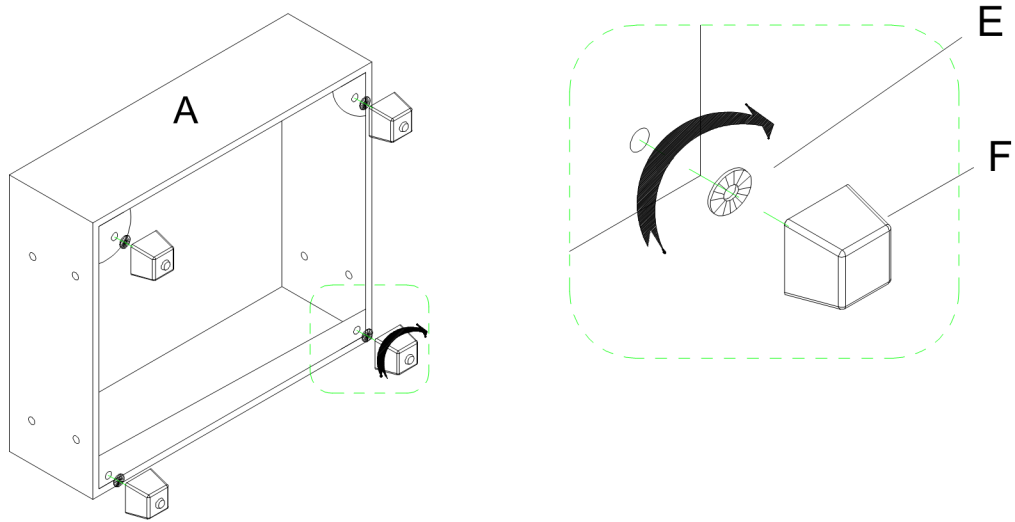
**NOTE:** Do not use power tools for assembly. Power tools increase the risk of over tightening which lead to splitting or cracking the wood.

### CHAIR COMPONENT LIST

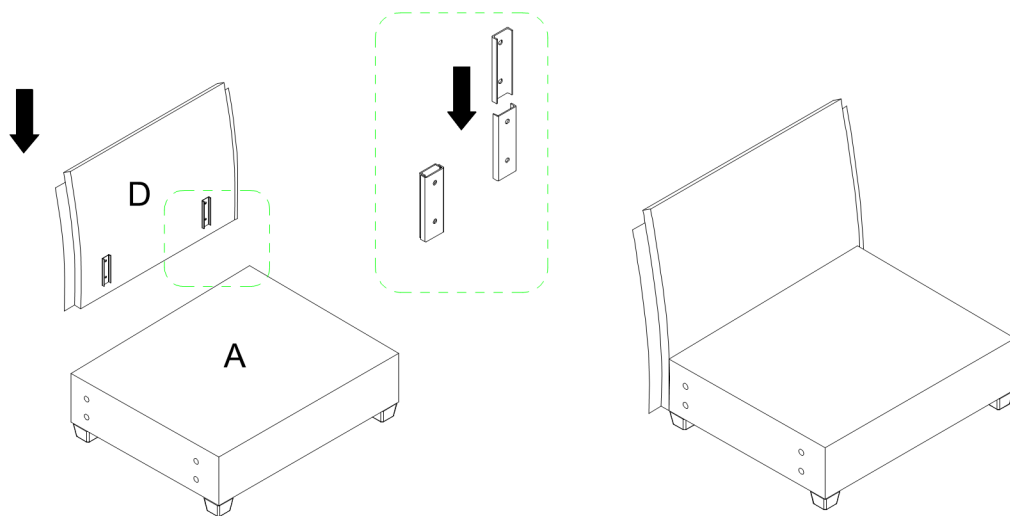
NO	DRAWING	QTY	DESCRIPTION
A		1	SEAT
B		1	SEAT CUSHION
C		1	BACK CUSHION
D		1	BACK PANEL
E		4	PLASTIC WASHER (Φ 45*3mm)
F		4	PLASTIC LEG(80*80*80mm)
G		4	BOLT 5/16*80mm
H		8	WASHER(Φ 19*1.5mm)
I		1	ALLEY KEY
J		4	BUTTERFLY NUT(30*13*13mm)



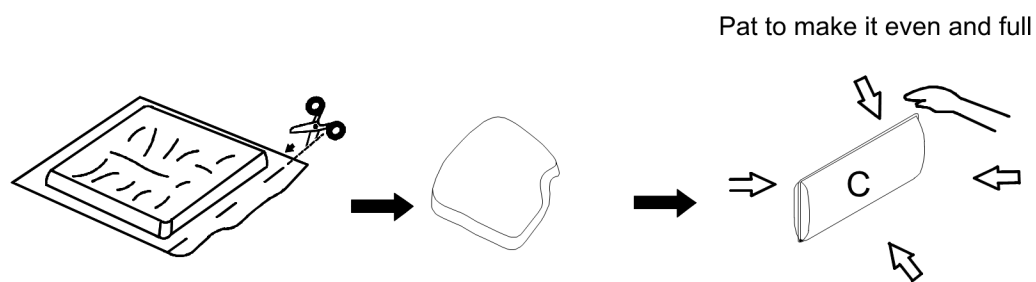
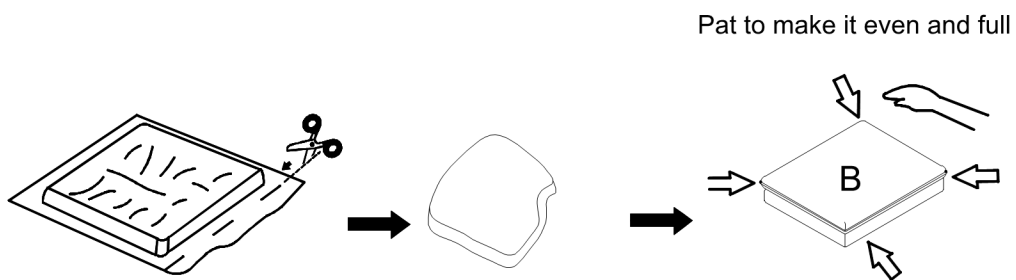
## Step 1



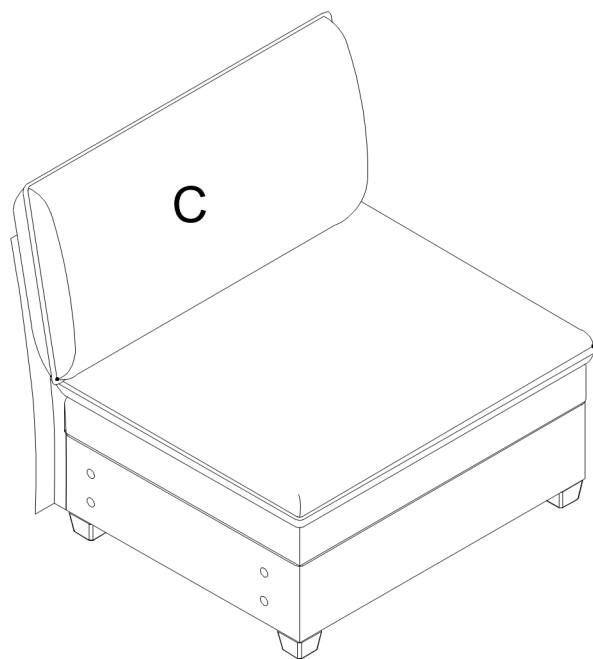
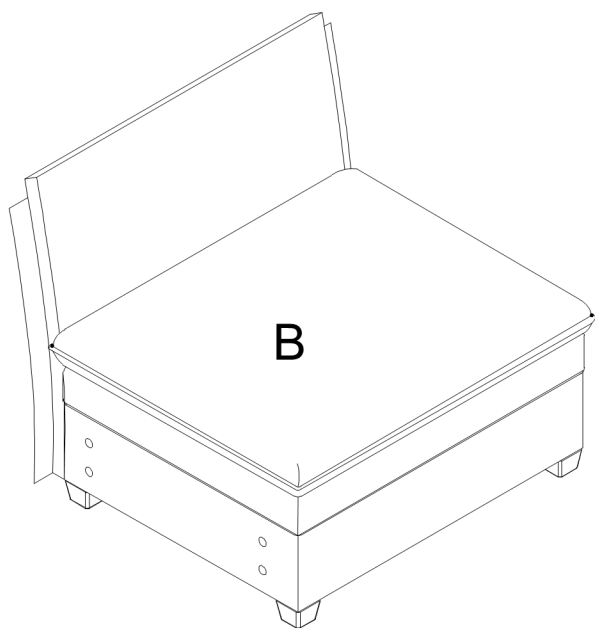
## Step 2



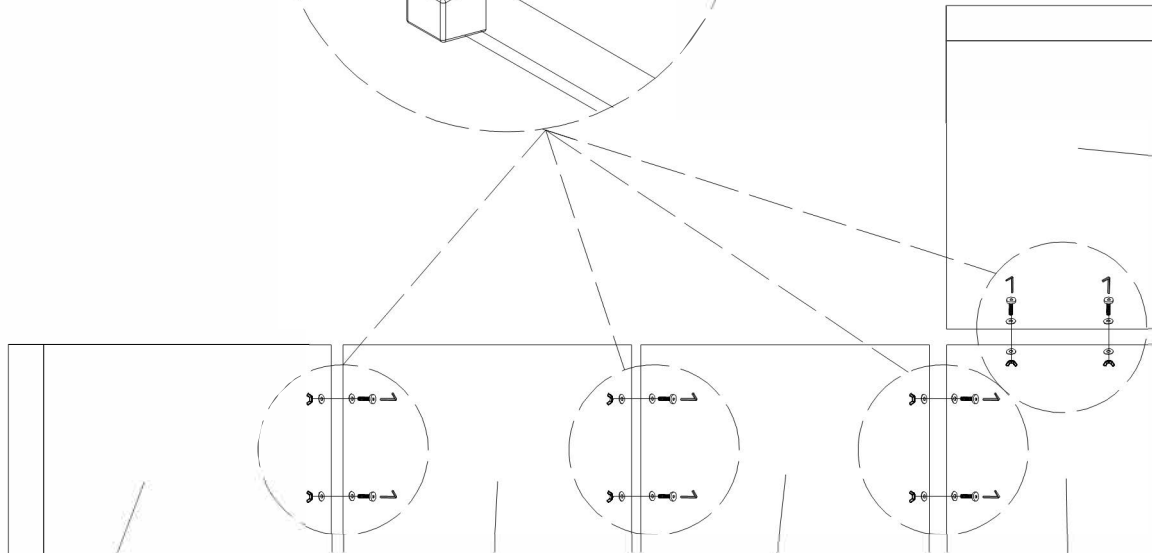
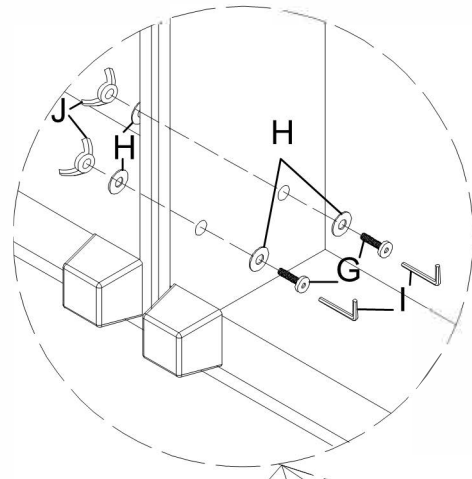
## Step 3



## Step 4



# STEP 1



Armless Chair + Arm

Armless Chair

Armless Chair

Corner Seat

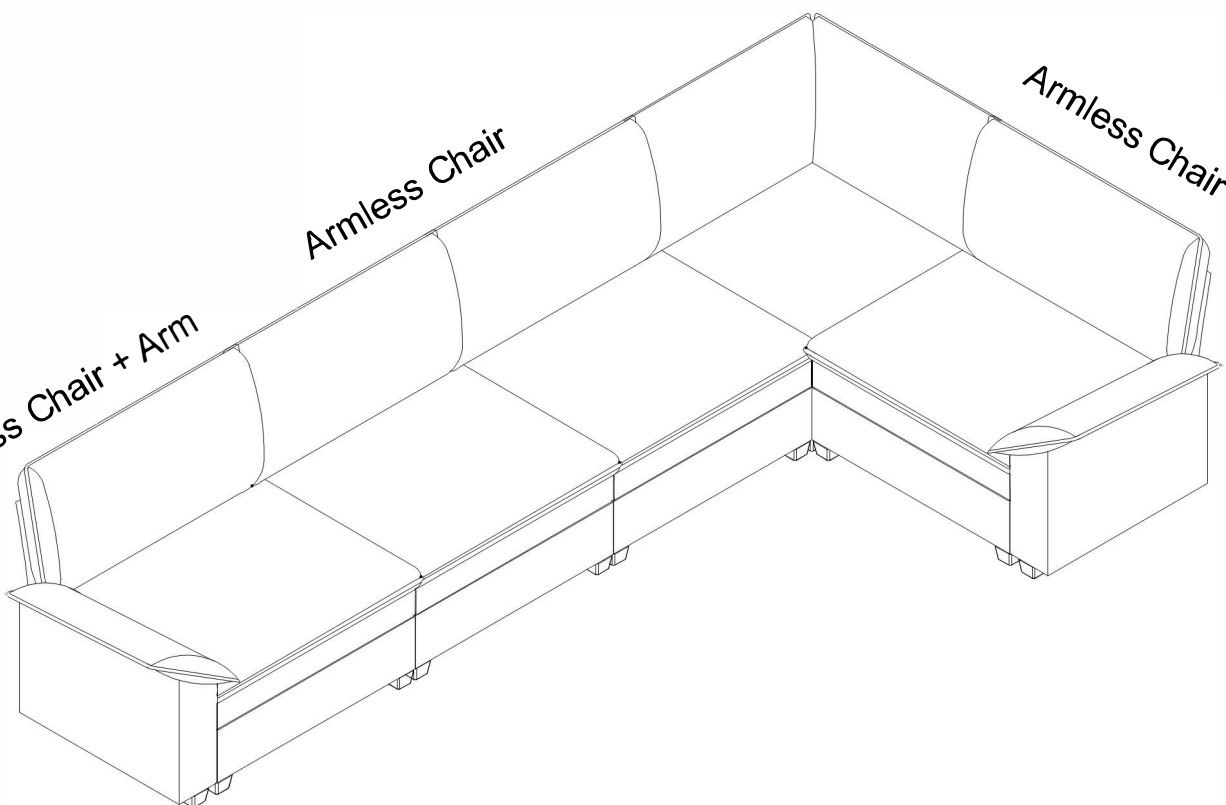
Armless Chair + Arm

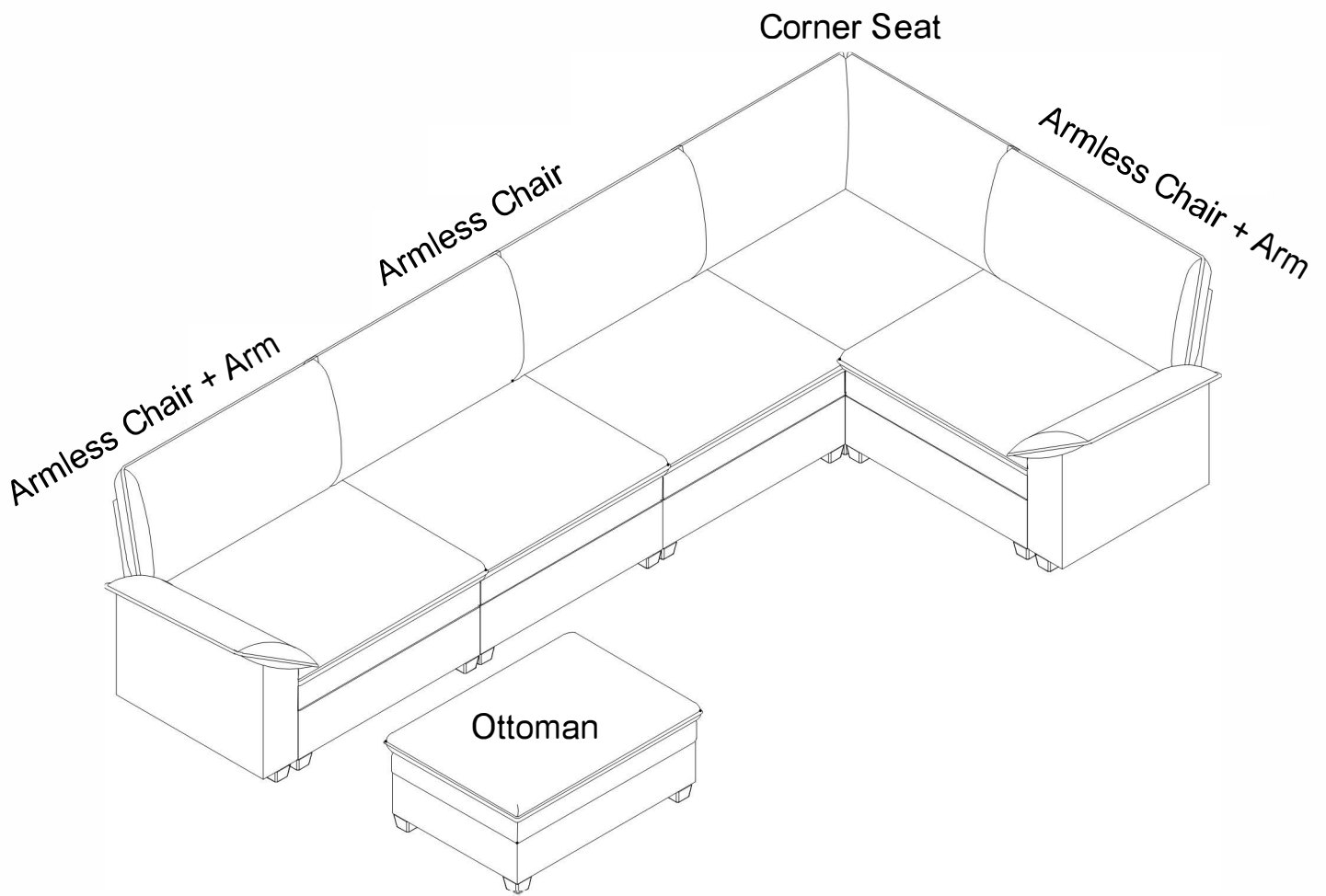
Corner Seat

Armless Chair

Armless Chair + Arm

Armless Chair + Arm





### **Care Instruction for our Furniture:**

**In order to maintain the original appearance of your furniture, please follow below simple care procedures:**

**Avoid exposing furniture directly to sunlight or heating and air conditioning outlets. Sunlight and or exposure to heating and air conditioning outlets will fade/damage.**

**Vacuum or wipe with a soft cloth to remove dust.**

**Hardware may loosen over time. Periodically check to make sure all connection are tight, Re-tighten if necessary.**

**For item use on wooden floor, hard surfaces or carpets, it is recommended to install protective pads under all legs and supports to avoid/prevent from damages/scratches and discoloration.**

# ASSEMBLY INSTRUCTION

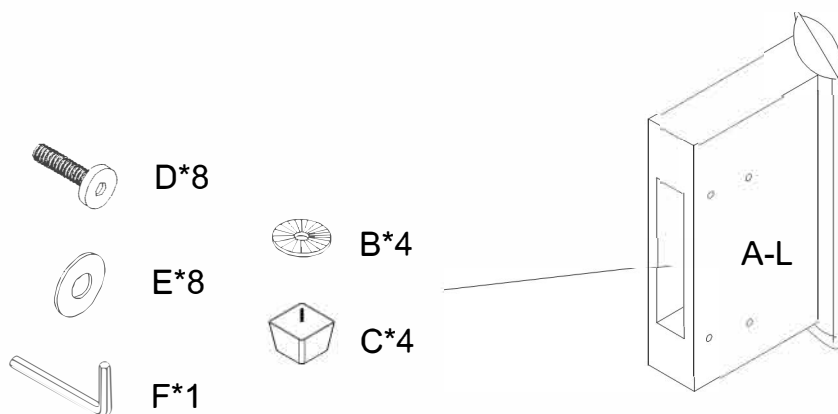
## 2 arms with adjustable pillow top



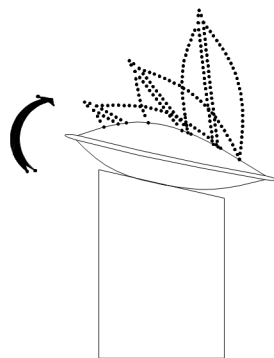
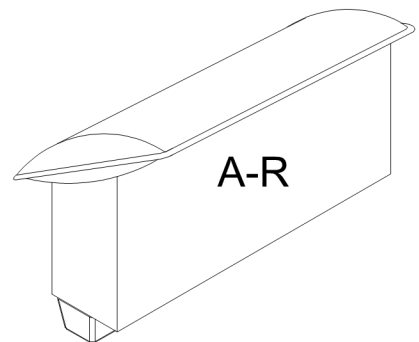
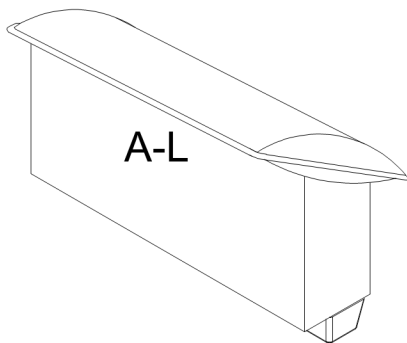
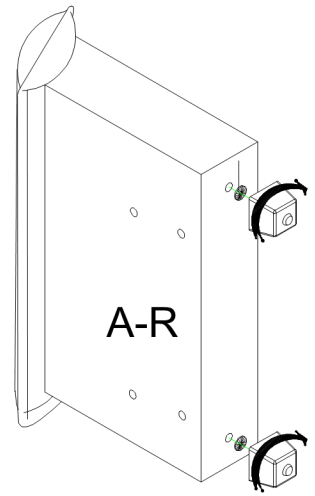
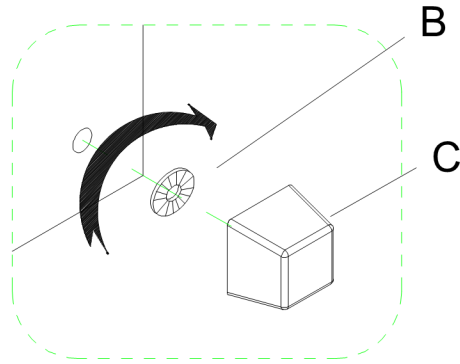
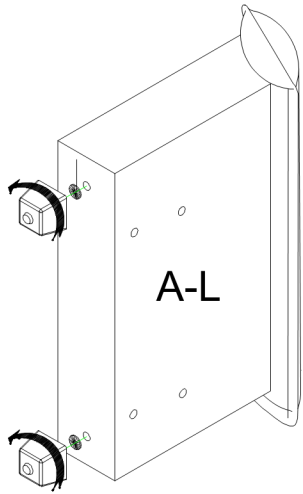
**NOTE:** Do not use power tools for assembly. Power tools increase the risk of over tightening which lead to splitting or cracking the wood.

### ARM COMPONENT LIST

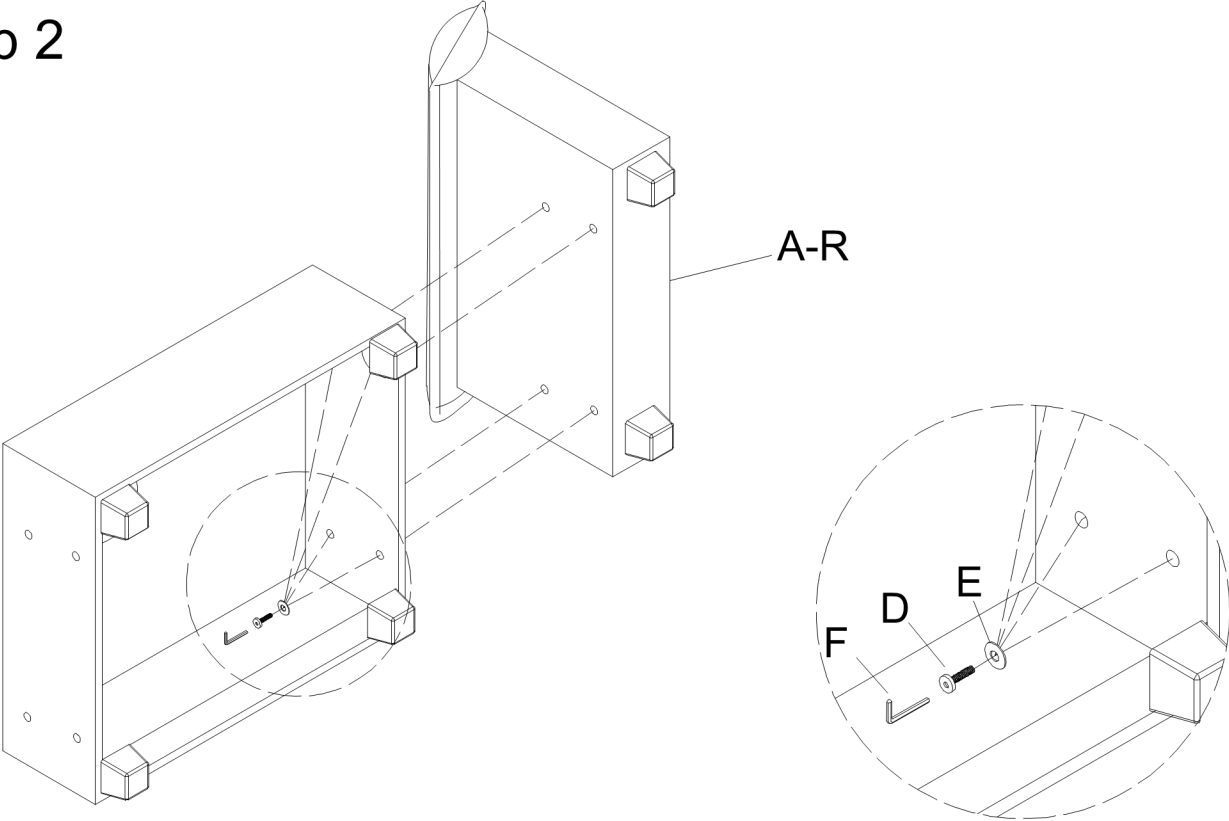
NO	DRAWING	QTY	DESCRIPTION
A-L		1	L LSF ARM
A-R		1	R RSF ARM
B		4	PLASTIC WASHER( $\Phi$ 45*3mm)
C		4	PLASTIC LEG(80*80*80mm)
D		8	BOLT M8*60mm
E		8	WASHER( $\Phi$ 19*1.5mm)
F		1	ALLEY KEY



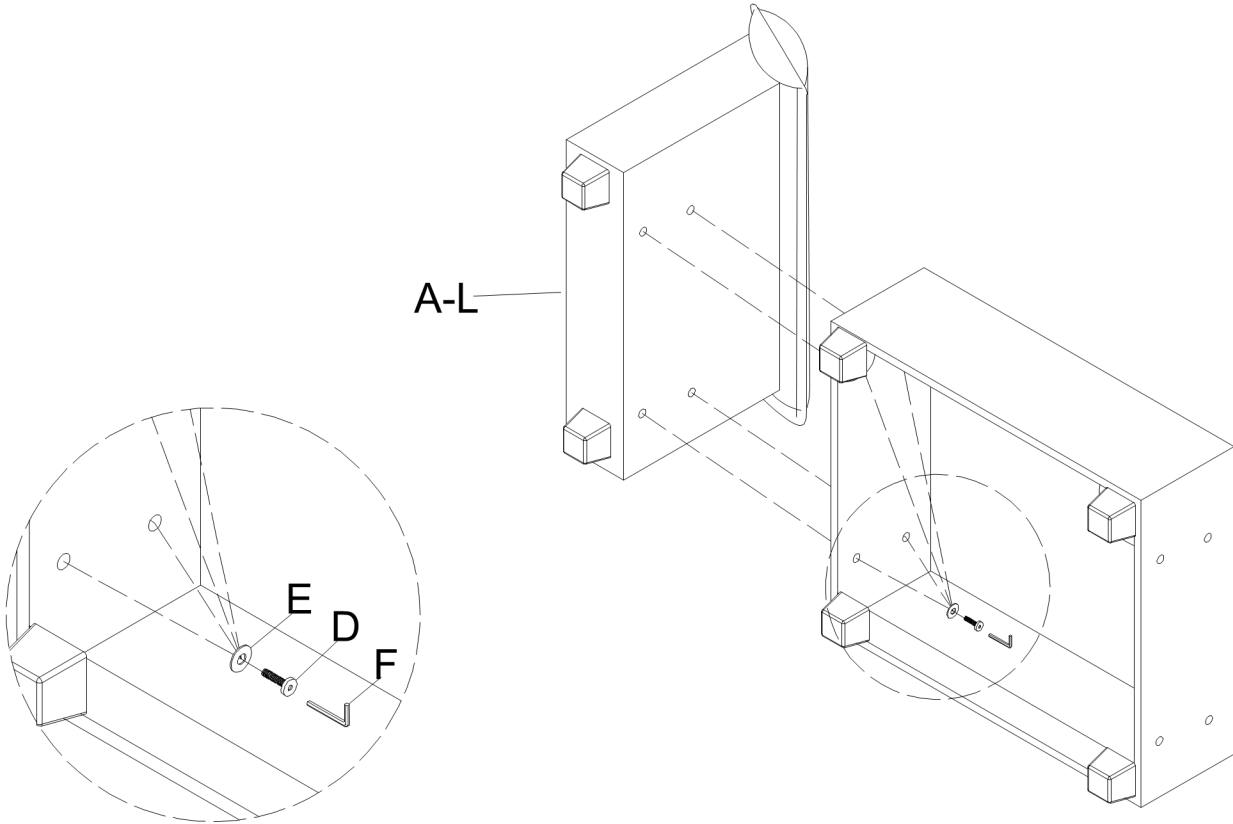
# Step 1

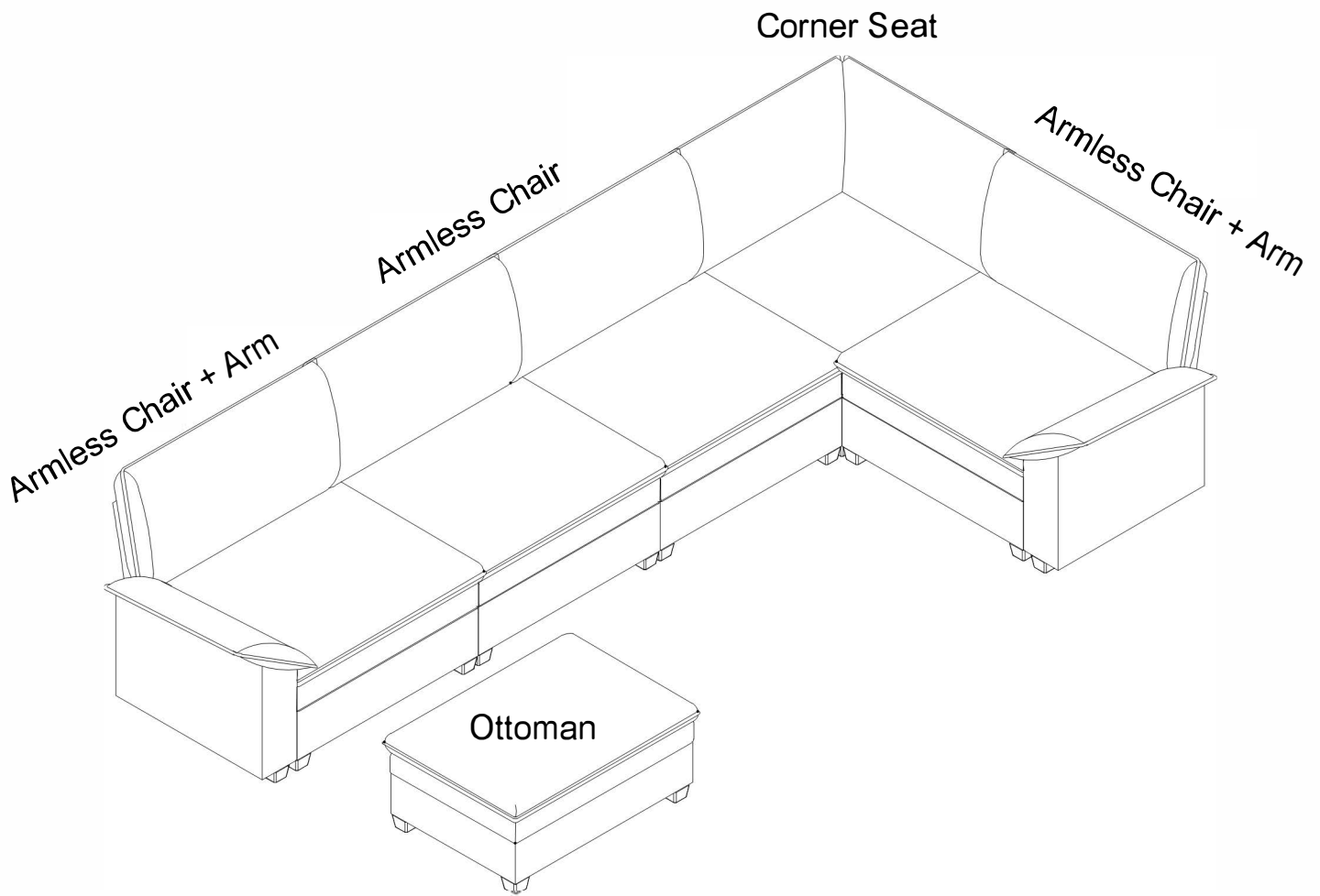


# Step 2



# Step 3





### **Care Instruction for our Furniture:**

**In order to maintain the original appearance of your furniture, please follow below simple care procedures:**

**Avoid exposing furniture directly to sunlight or heating and air conditioning outlets. Sunlight and or exposure to heating and air conditioning outlets will fade/damage .**

**Vacuum or wipe with a soft cloth to remove dust.**

**Hardware may loosen over time. Periodically check to make sure all connection are tight, Re-tighten if necessary.**

**For item use on wooden floor, hard surfaces or carpets, it is recommended to install protective pads under all legs and supports to avoid/prevent from damages/scratches and discoloration.**