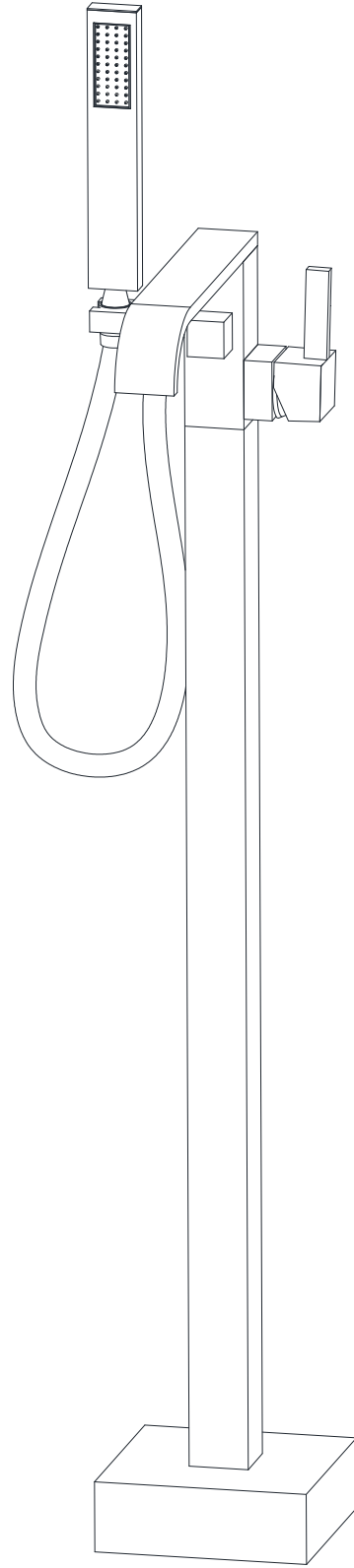


DATASHEET



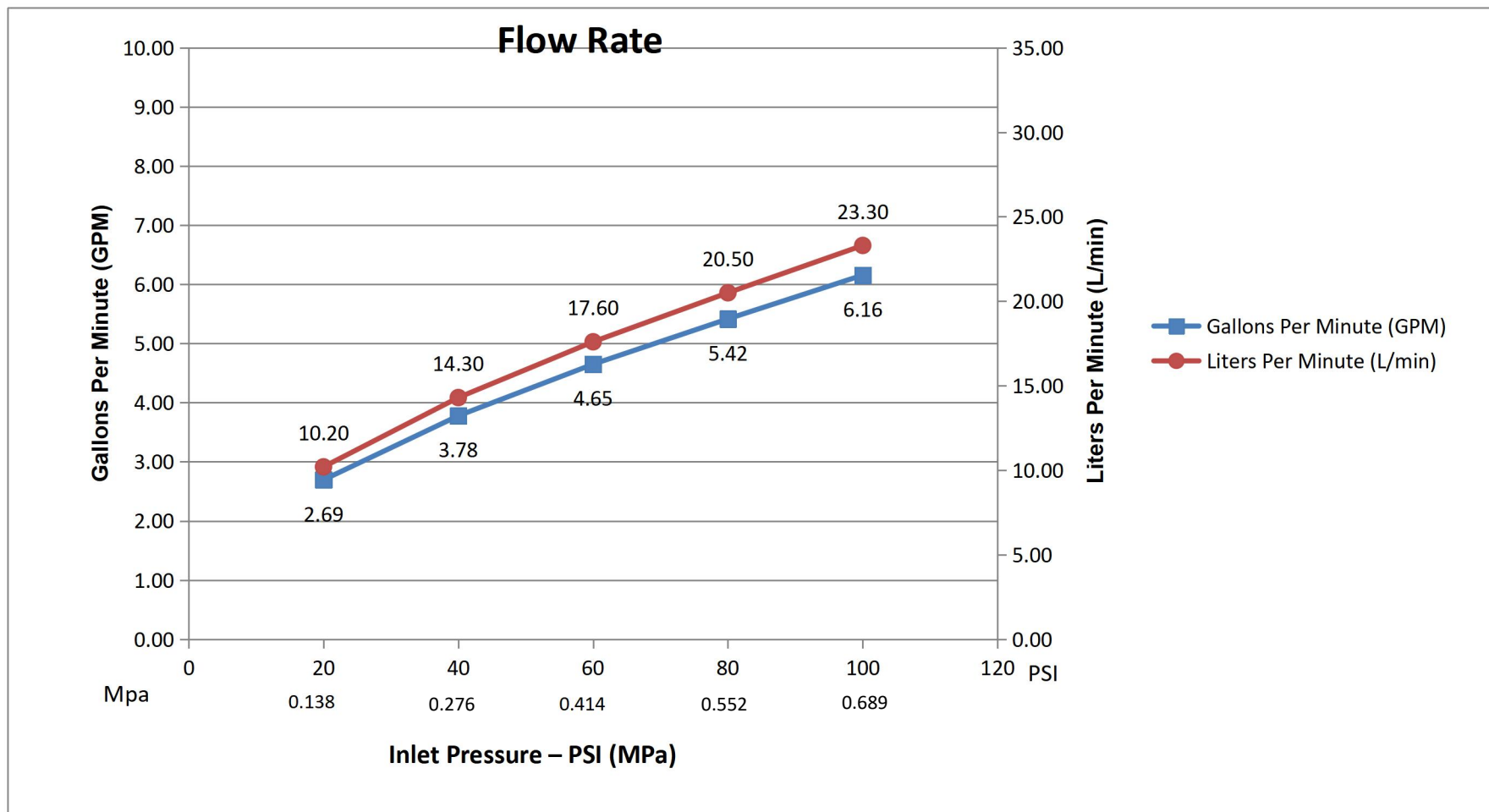
FLOOR MOUNT TUB FILLER FAUCET

MODEL	FINISH
S2158FW-CH	CHROME
S2158FW-BN	BRUSHED NICKEL
S2158FW-MB	MATTE BLACK
S2158FW-BG	BRUSHED GOLD

CUSTOMER CARE LINE: +1-866-203-0866

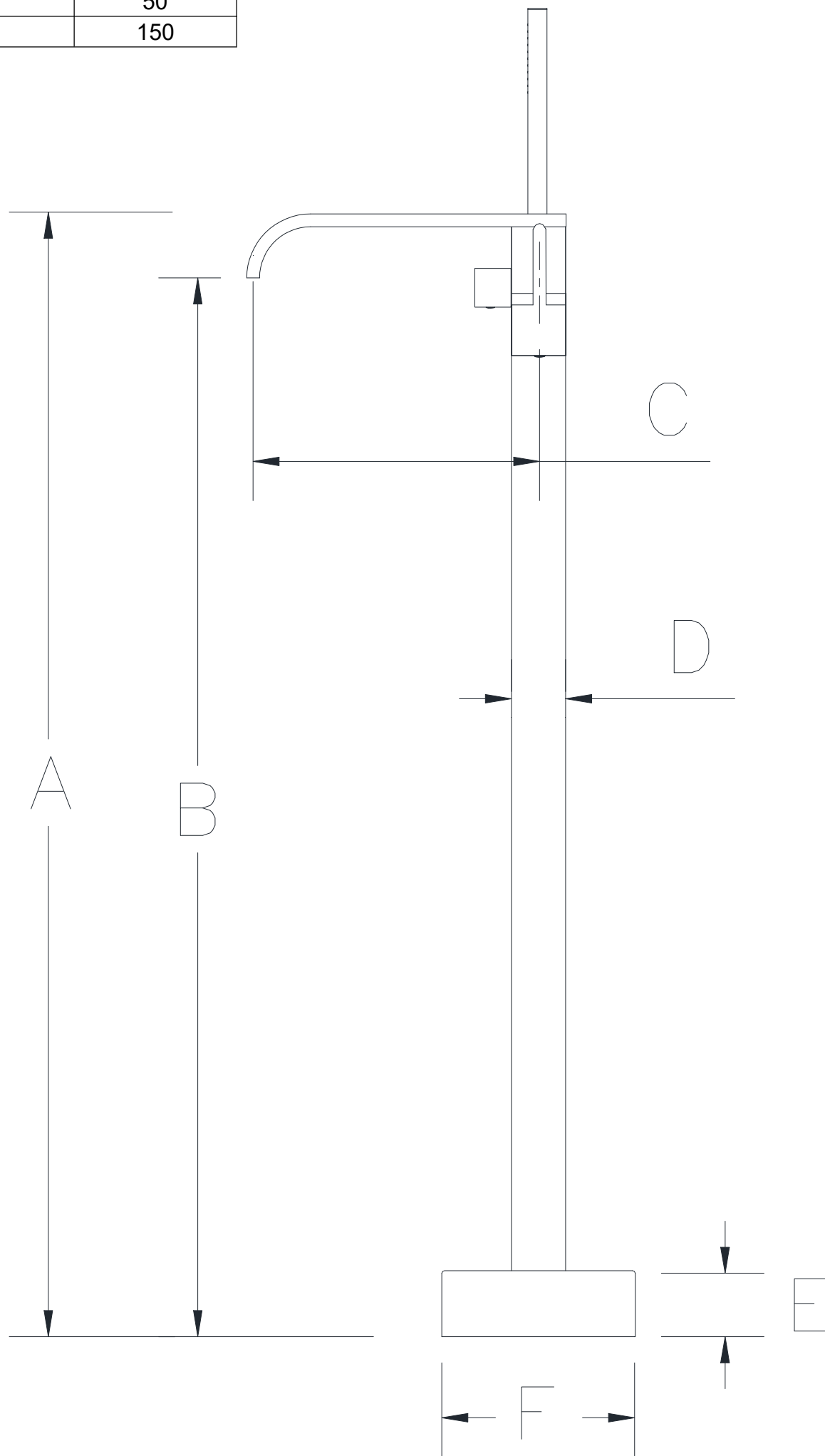
FUNCTIONS AND SPECIFICATION

Function	Bathtub Faucet
Feature	Floor Mounted, Freestanding
Theme	Modern, Contemporary
Finish	Chrome/Brushed Nickel/Matte Black/Brushed Gold
Number Of Handles	One
Handle Style	Lever
Primary Material	Brass
Mounting Hardware Included	Yes
Diverter Included	Yes
Handheld Shower Included	Yes
Valve Included	Yes
Hand Shower Material	ASSEMBLY
Shower Hose Included	Yes
Hose Material	ASSEMBLY
Faucet Total Height	40-1/16" [1018mm]
Spout Reach	9-1/16" [230mm]
Spout Height	31-7/8" [810mm]
Valve Type	Ceramic Disc
Handle Material	Metal
Net Weight	9.22 lbs [4.18KG]
Gross Weight	11.05 lbs [5.01KG]
Working Water Press	29~116PSI [0.2 ~0.8 MPa]
Spout Max Flow Rate	4.65GPM @60PSI[17.6L/min(@0.414MPa)]
Hand Shower Flow Rate	1.8GPM@60PSI [6.8L/min(@0.414MPa)]
Packing Box Size	29-15/16" x 13-3/16" x 3-5/32" [760mm x 335mm x 80mm]



DIMENSION

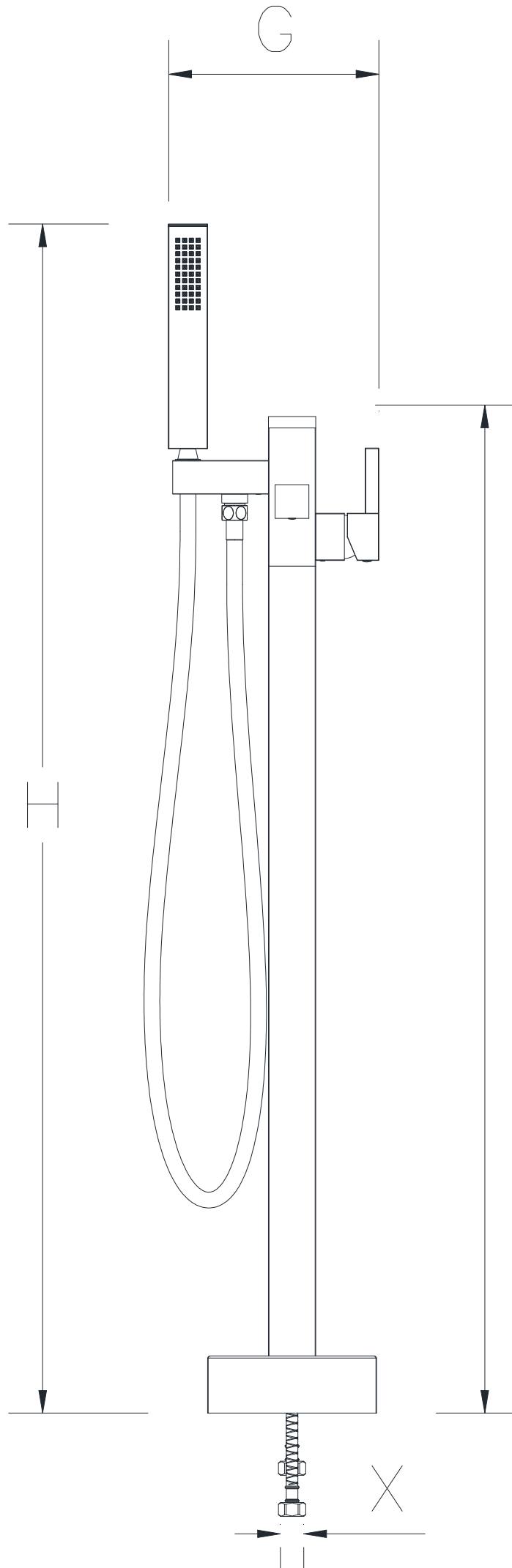
Code	Dimensions - Inch	Dimensions - mm
A	33-7/8"	860
B	31-7/8"	810
C	9-1/16"	230
D	1-5/8"	42
E	2"	50
F	5-7/8"	150



RIGHT VIEW OF FAUCET

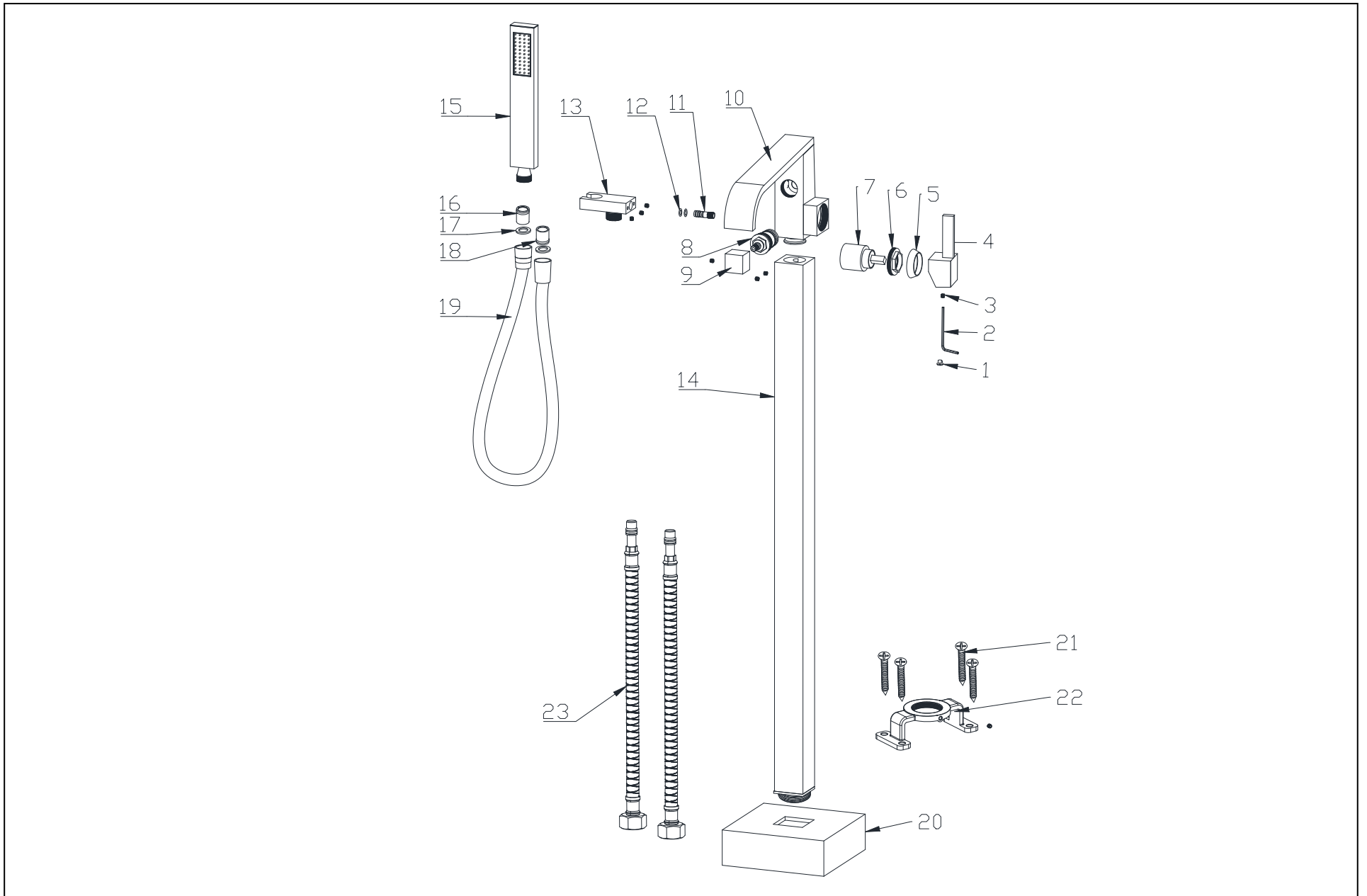
Code	Dimensions - Inch	Dimensions - mm
G	6-21/32"	169
H	40-1/16"	1018
I	33-7/8"	860

Region	Code	Specifications
US	X	2×G1/2"
Europe	X	2×G1/2"
UK&Other	X	2×G1/2"



FRONT VIEW OF FAUCET

EXPLOSION DIAGRAM



NO	ITEM NAME	MATERIAL	QTY	PART NO.	NO	ITEM NAME	MATERIAL	QTY	PART NO.
1	Screw Cover	ABS	1	PSA00002XX	13	Hand Shower Holder With Elbow	ASSEMBLY	1	PHH32180XX
2	Allen Wrench 2.5mm	Fe45#	1	PSA00003XX	14	Stand Column	SUS304	1	PPI21580XX
3	Set Screw	SUS304	8	PSC05050XX	15	Handheld Shower	ASSEMBLY	1	PHS00002XX
4	Handle(Lever)	Zn Alloy No.3	1	PHD00007XX	16	Check Valve	ASSEMBLY	1	PAE00044XX
5	Flange	HPB59-1	1	PFC37125XX	17	Rubber Washer	NBR	2	PRW19020XX
6	Bonnet	HPB59-1	1	PSC37125XX	18	Check Valve	ASSEMBLY	1	PAE00043XX
7	35#Cartridge	ASSEMBLY	1	PCT35004XX	19	Shower Hose	ASSEMBLY	1	PFH00015XX
8	Diverter Cartridge	ASSEMBLY	1	PCT21390XX	20	Escutcheon	SUS304	1	PFC21580XX
9	Diverter Knob	Zn Alloy No.3	1	PHD00001XX	21	M6X50 Screw	SUS304	4	PSC06050XX
10	Valve Body	HPB59-1	1	PVB21580XX	22	Mounting Base	SUS304	1	PEC00002XX
11	Nipple	HPB59-1	1	PCN21580XX	23	Supply Hose	ASSEMBLY	2	PFH00092XX
12	O-Ring	NBR	2	POR11020XX					



North America	Asia	Europe
SUMERAIN INTERNATIONAL GROUP INC	HONGKONG SUMERAIN SANITARY INDUSTRY CO., LIMITED	SUMERAIN EUROPE SUPPORT TEAM
Add: 1226 NORTH KING ST NUM 522 WILMINGTON, DE 19801 United States	Add: FLAT/RM 3B 3/F BANK TOWER NOS.351&353 KING'S ROAD NORTH POINT,HONGKONG	Add: Flottwellstr.15 10785 Berlin, Deutschland
Tel: +1(866)203-0866	Tel: +86-750-2731579	Tel: +49 (0)30/23975898
E-mail: supports@sumerain.us	E-mail: supports@sumerain.com	E-mail: de@sumerain.com