

QUEEN/KING BED ASSEMBLY INSTRUCTION

Thank you for purchasing this quality product. Be sure to check all packing material carefully for small parts which may have come loose inside the carton during shipment. Separate, identify and count all parts and hardware. Compare with the parts list to be sure all parts are present.

IMPORTANT : PLEASE READ INSTRUCTION BEFORE STARTING THE ASSEMBLY.

"DO NOT TIGHTEN SCREWS UNTIL COMPLETELY ASSEMBLED"

"DO NOT OVERTIGHT ANY HARDWARE"

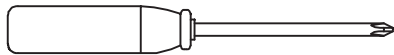
WARNING : SMALL PARTS AND HARDWARE NOT FOR CHILDREN UNDER 3 YEARS. ADULT ASSEMBLY REQUIRED.

TABLE OF CONTENTS

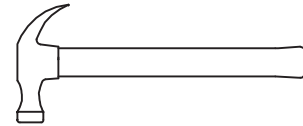
HARDWARES LIST	PAGE 2
PARTS LIST	PAGE 3
PARTS' LOCATION	PAGE 4
ASSEMBLY STEPS	PAGE 5 - 8
ASSEMBLY COMPLETED	PAGE 9

ASSEMBLY TOOLS REQUIRED

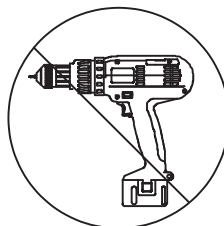
1. Screwdriver (not provide)



2. Hammer (not provide)

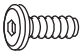
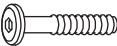







Skip the power drill this time.



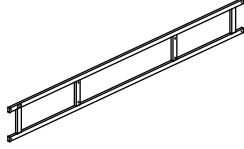
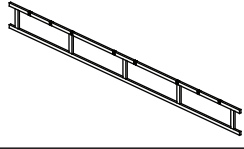
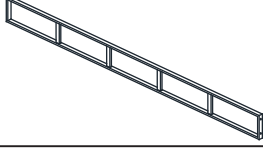
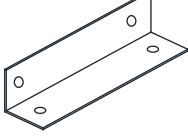
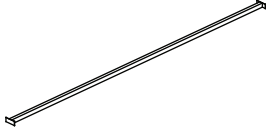

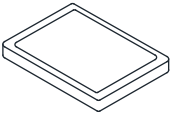
QUEEN/KING BED ASSEMBLY INSTRUCTION

HARDWARES LIST

ITEM	DESCRIPTION	DRAWING	QTY
A	JCBC SCREW M6 x 20MM		24 PCS
B	JCBC SCREW M6 x 45MM		12 PCS
C	HEX NUT M6 x 10MM		12 PCS
D	SPRING WASHER M6 x 12MM		36 PCS
E	FLAT WASHER M6 x 19MM		36 PCS
F	SPANNER		1 PC
G	M4 ALLEN KEY (100MM)		1 PC

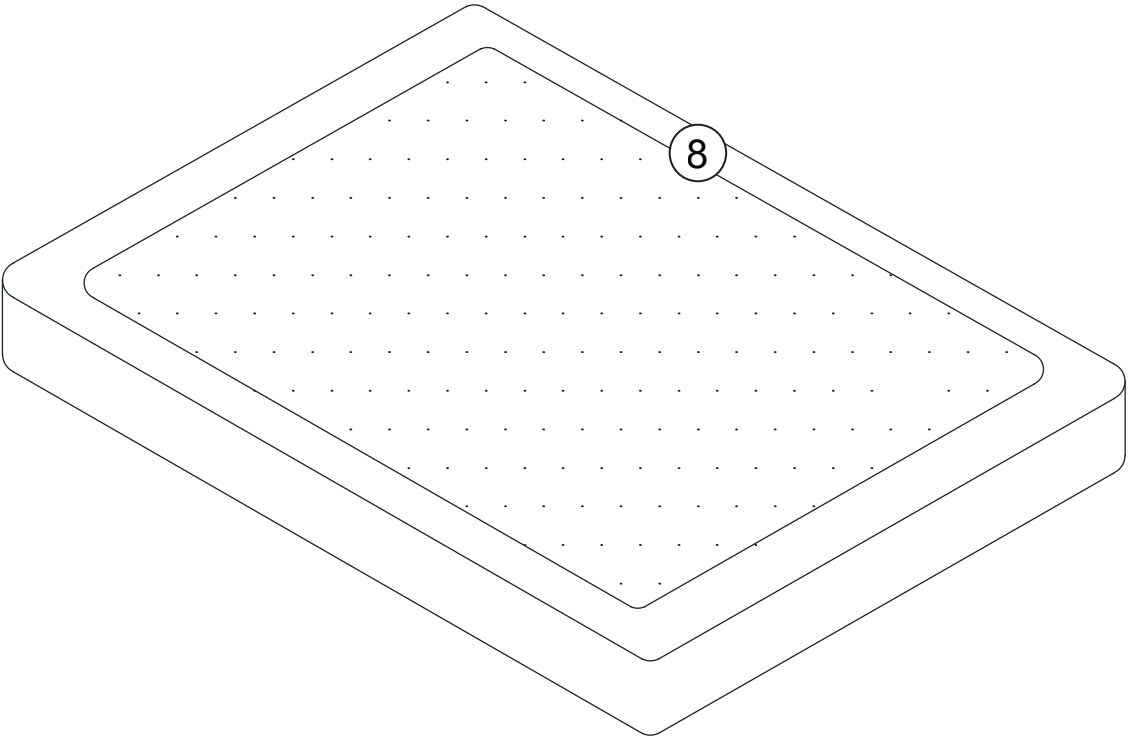
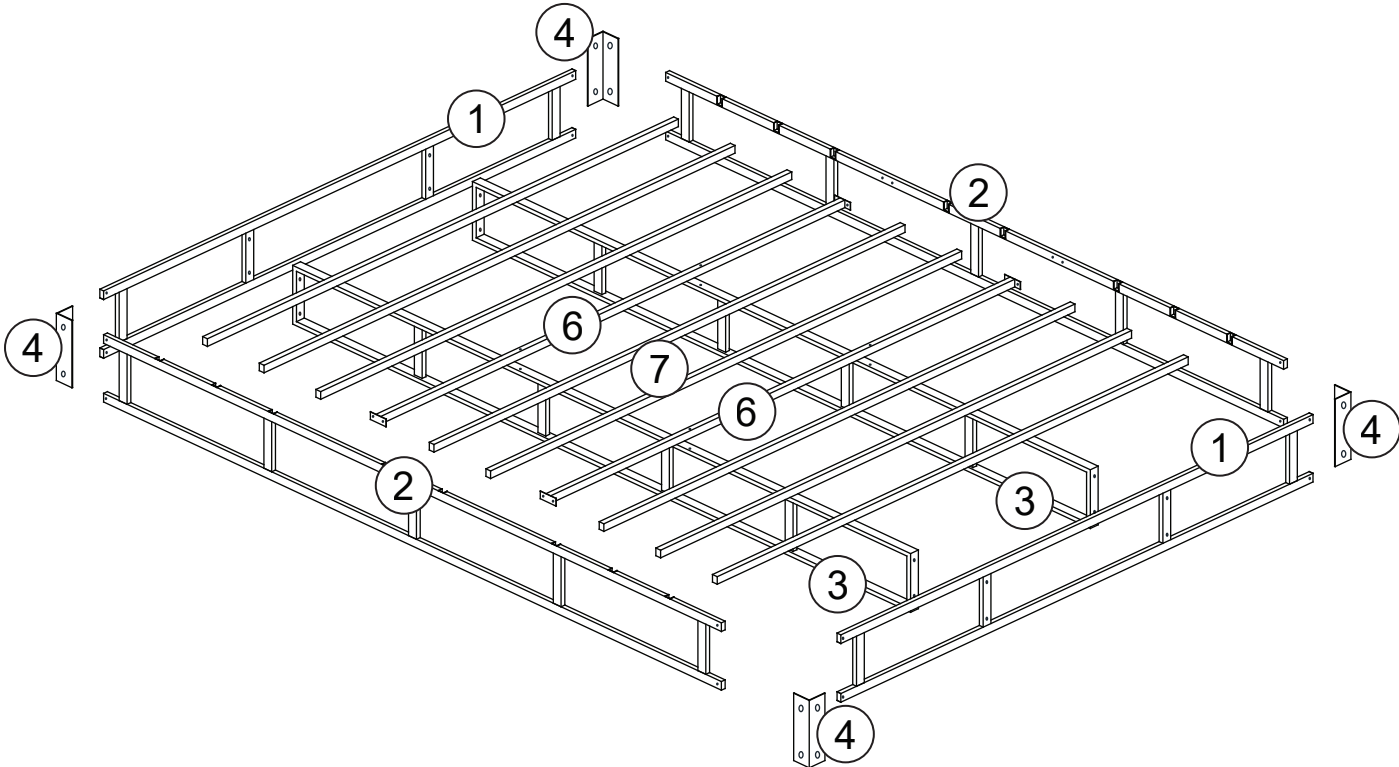
QUEEN/KING BED ASSEMBLY INSTRUCTION

PARTS LIST

ITEM	DESCRIPTION	DRAWING	QTY
1	HEAD/FOOT METAL		2 PCS
2	SIDE METAL		2 PCS
3	CENTER METAL		2 PCS
4	L-BRACKET		4 PCS
6	METAL SLAT WITH BRACKET		2 PCS
7	METAL SLAT		8 PCS
8	SLIP COVER		1 PC

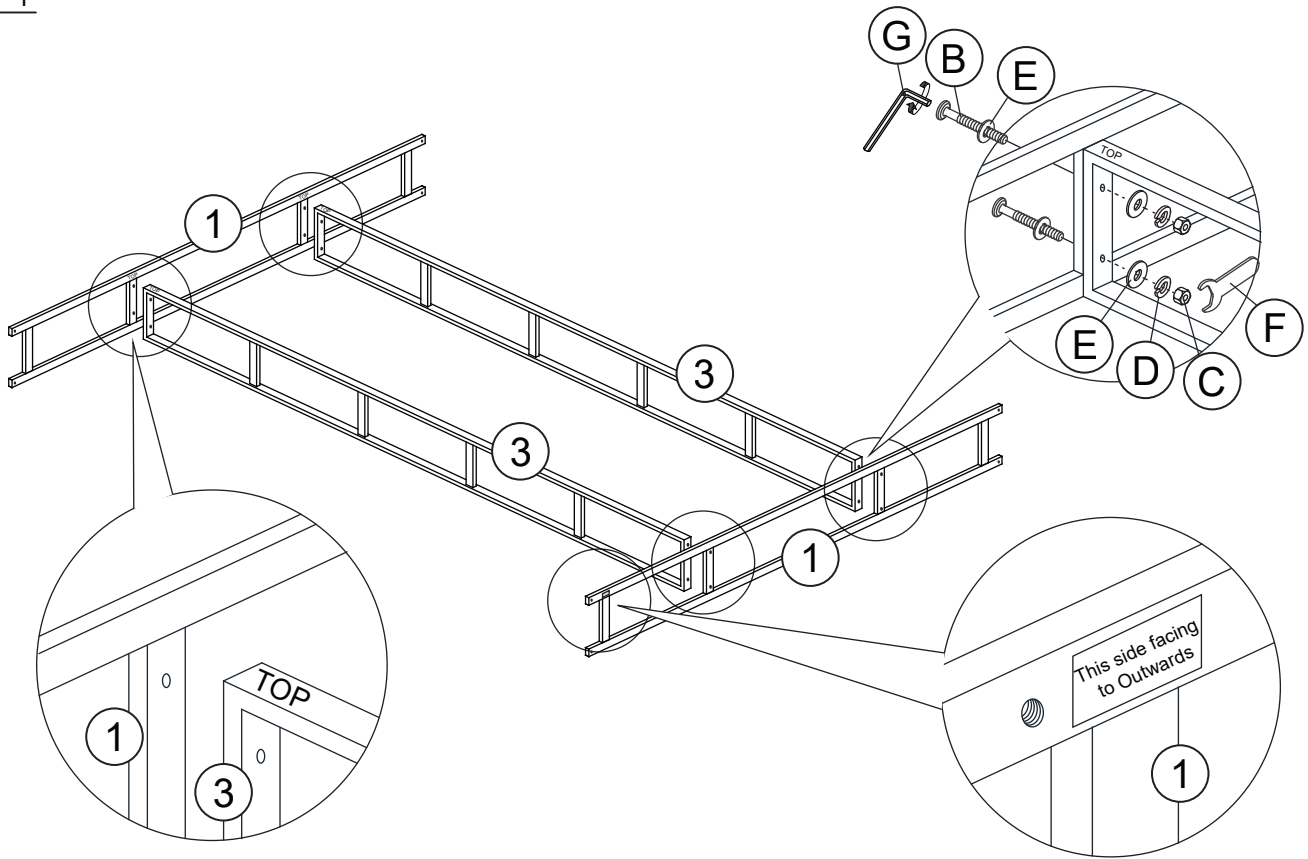
QUEEN/KING BED ASSEMBLY INSTRUCTION

PARTS ' LOCATION

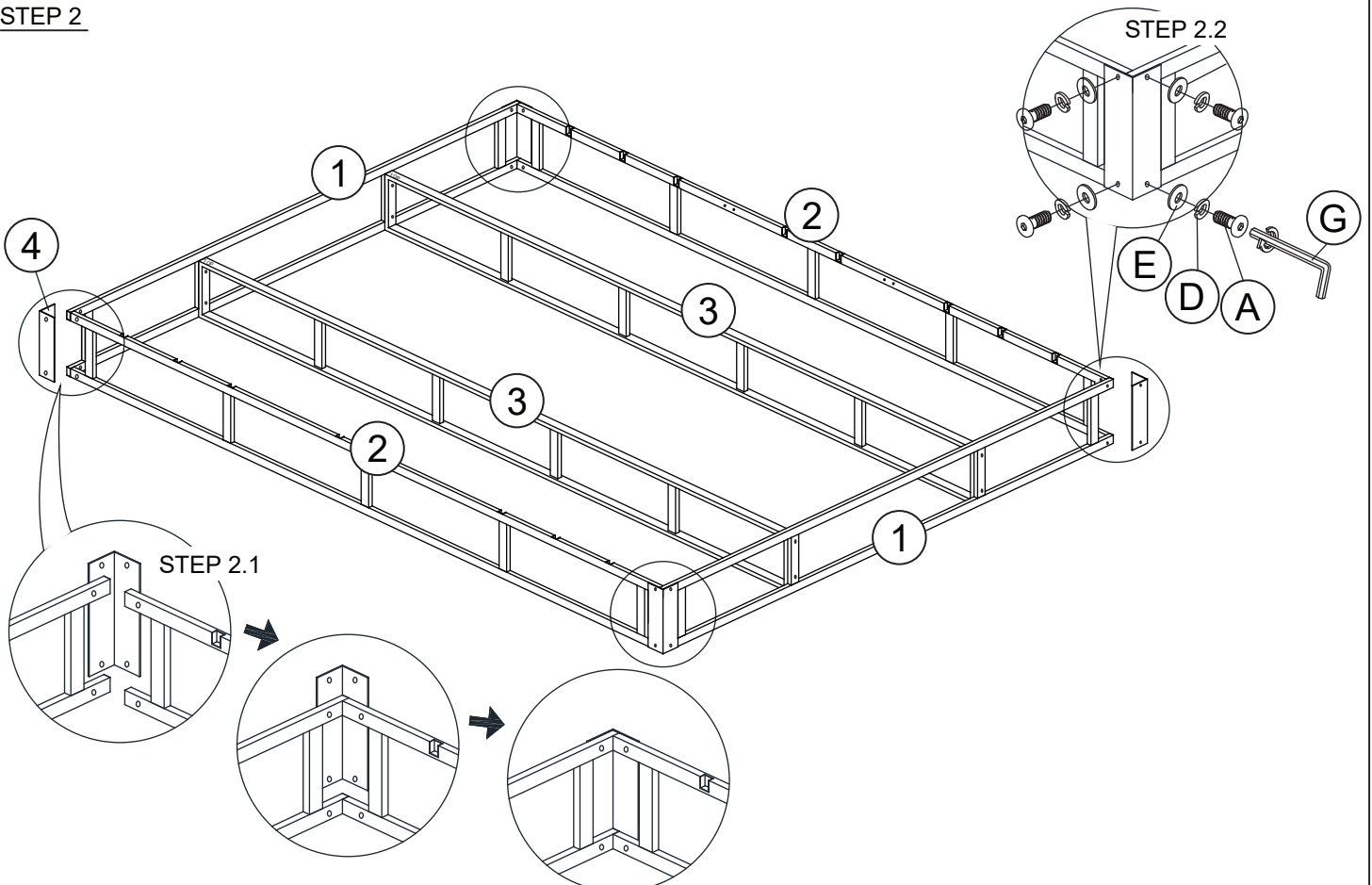


QUEEN/KING BED ASSEMBLY INSTRUCTION

STEP 1

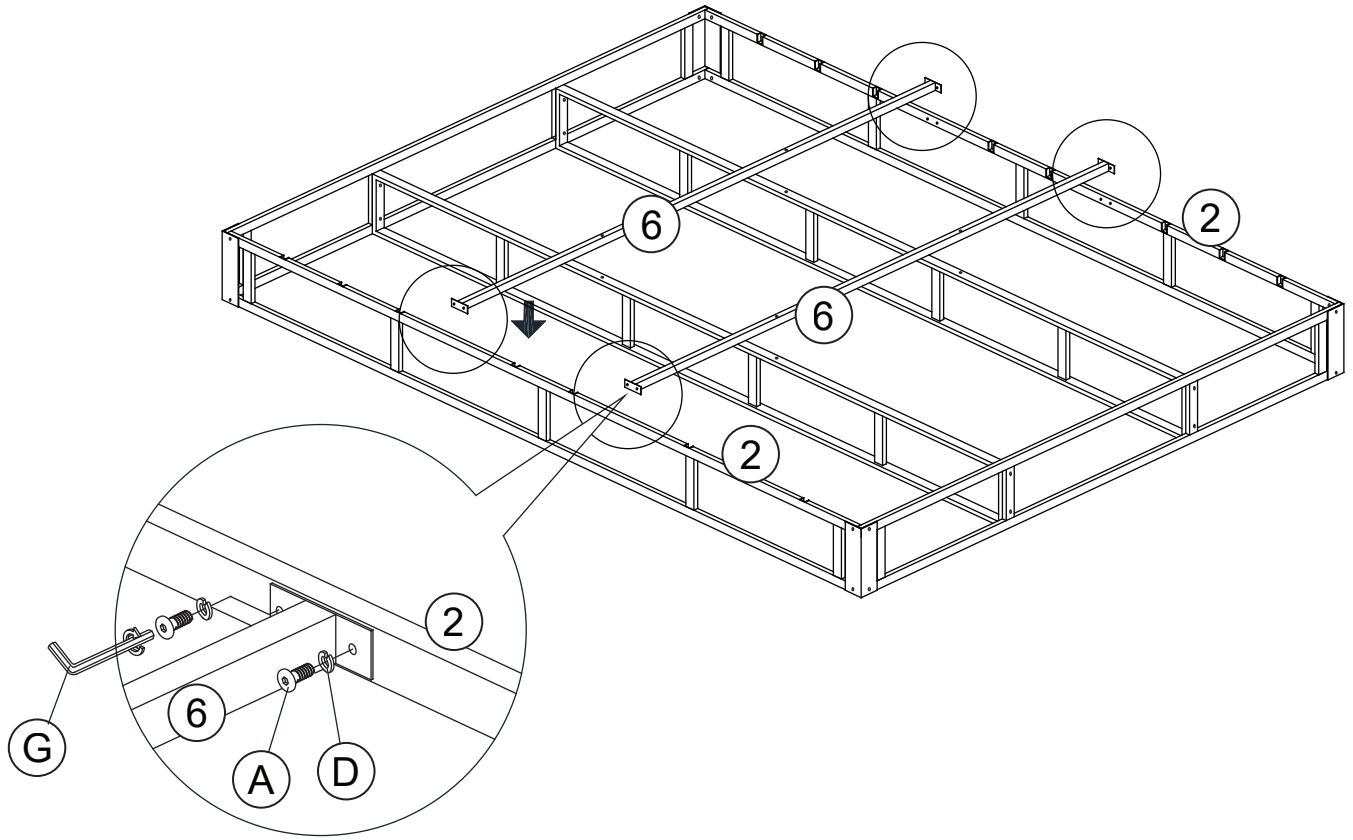


STEP 2

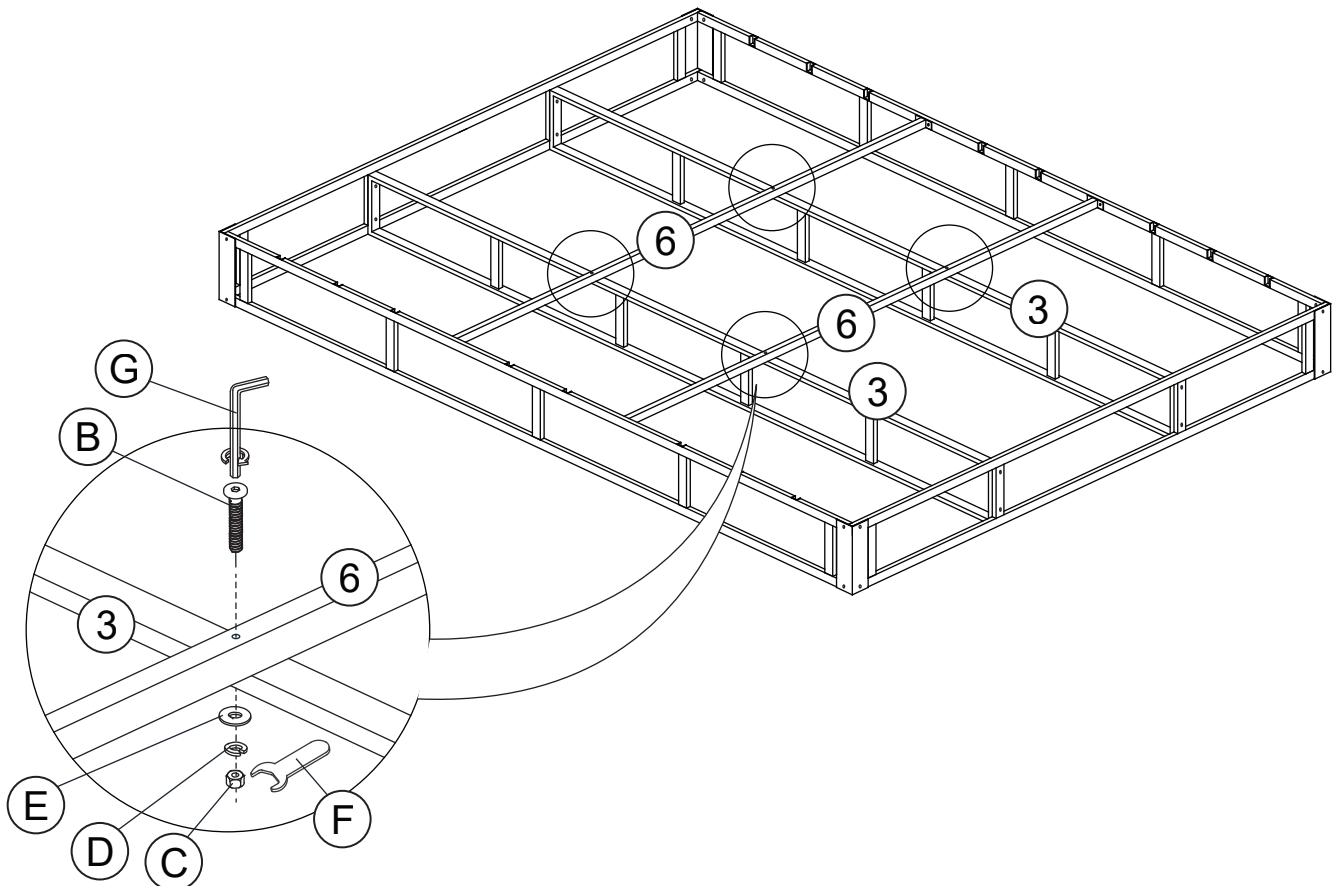


QUEEN/KING BED ASSEMBLY INSTRUCTION

STEP 3

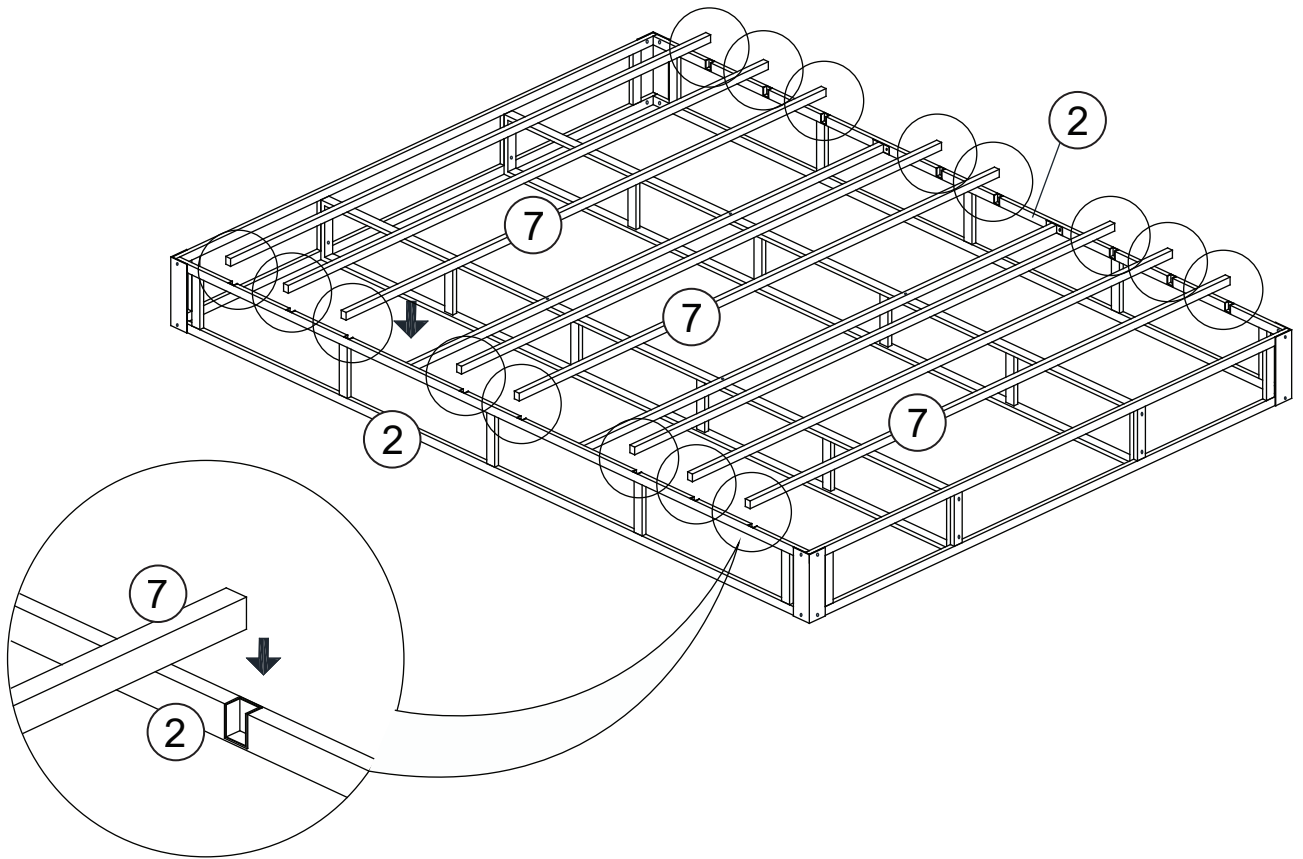


STEP 4

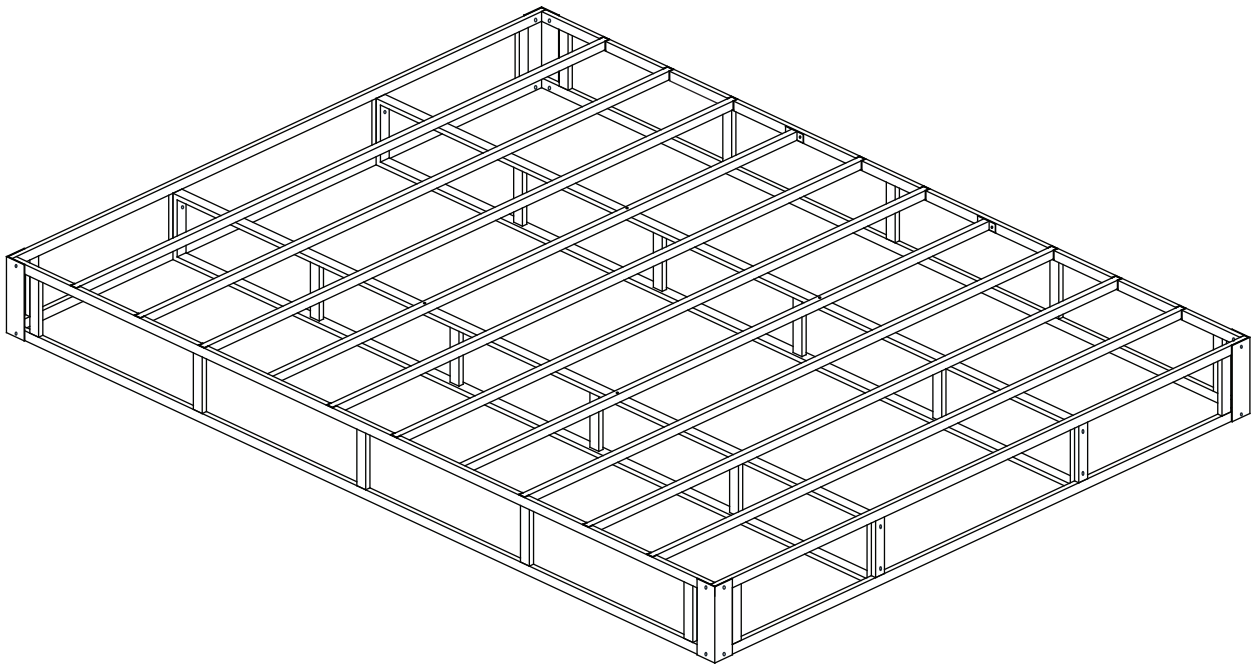


QUEEN/KING BED ASSEMBLY INSTRUCTION

STEP 5

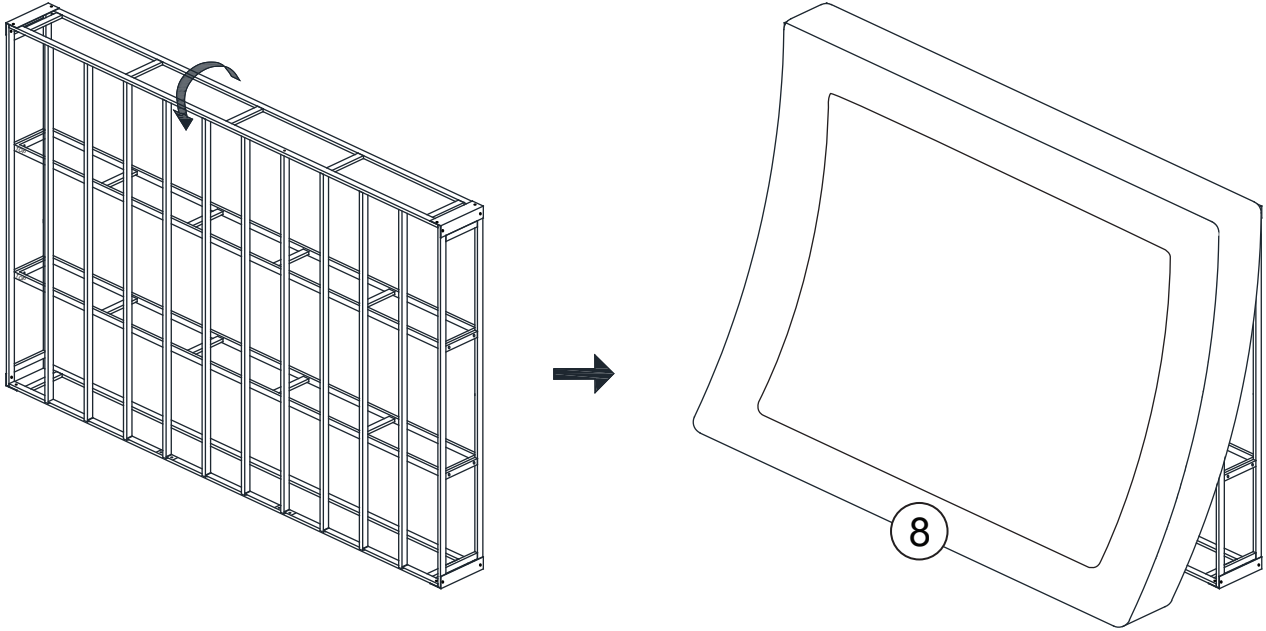


STEP 6

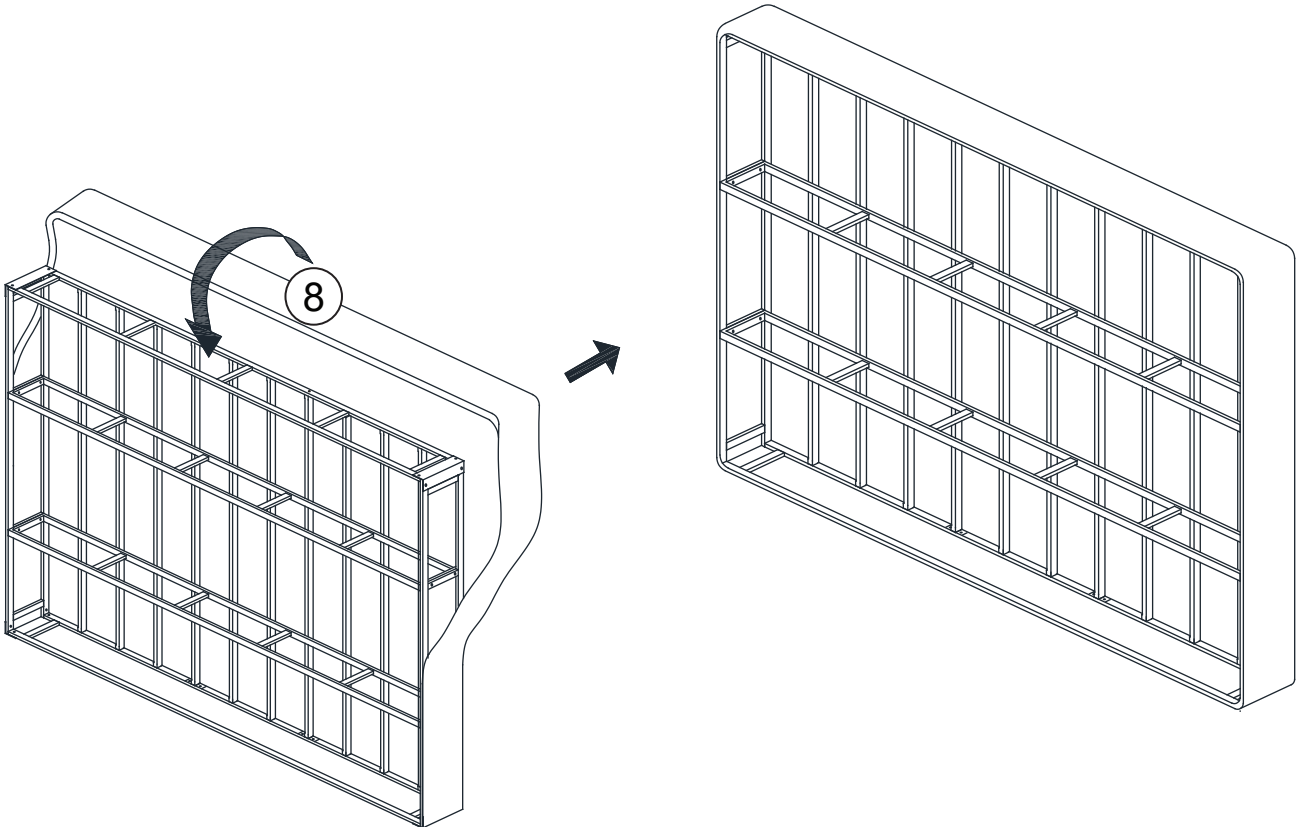


QUEEN/KING BED ASSEMBLY INSTRUCTION

STEP 7

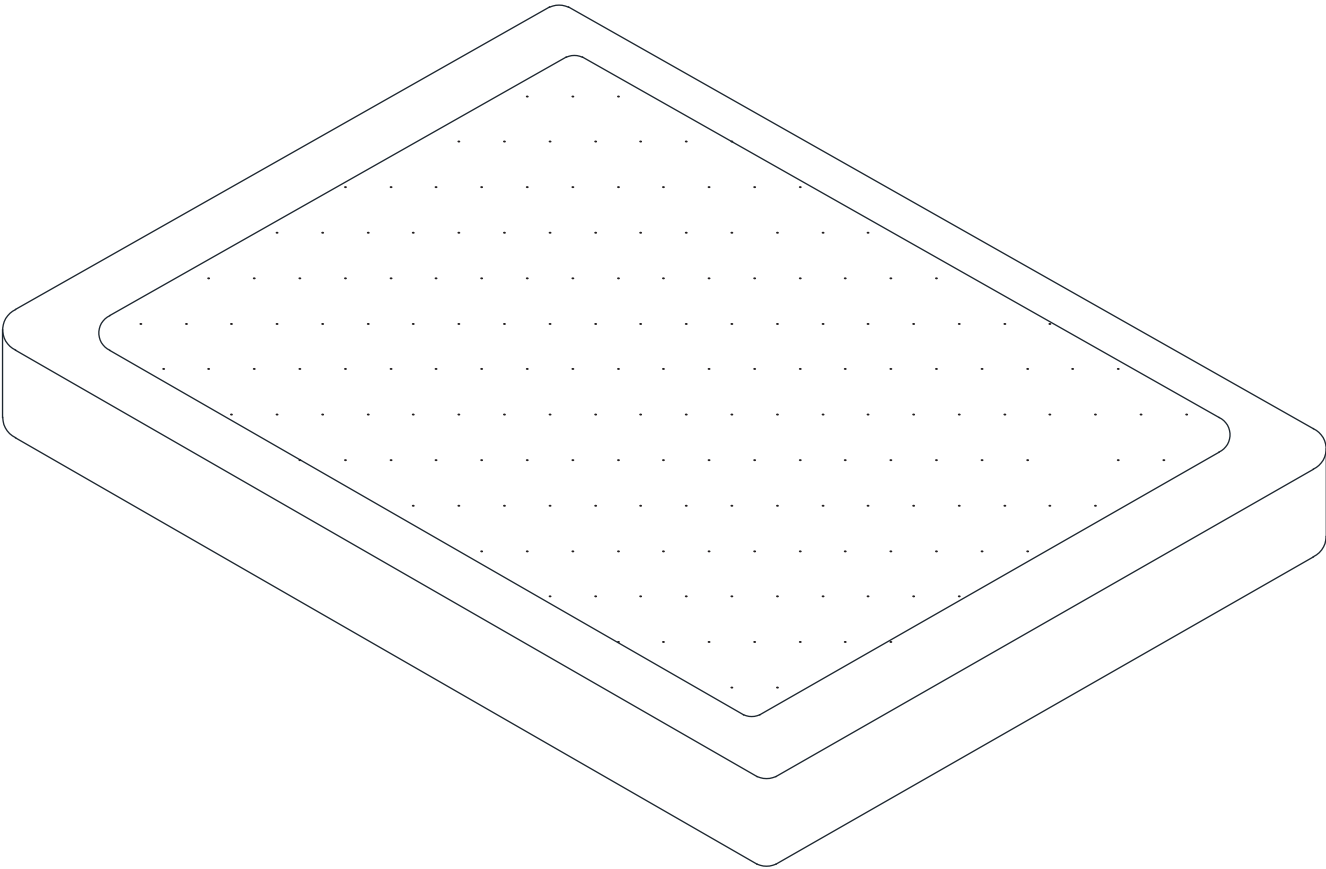


STEP 8



QUEEN/KING BED ASSEMBLY INSTRUCTION

STEP 9



ASSEMBLY COMPLETED