

Congratulations on the purchase of your new Triangle floating glass shelf! We've made it very easy to install. Follow all instructions carefully.



CAUTION

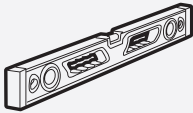
Be careful when using a knife or box cutter to open the packaging. Please read every step in the instructions before you begin installation. You are responsible for assembling, installing and taking care of your Shelf according to the instructions.

Users who fail to heed the instructions run the risk of injury, so please be careful and work with caution.

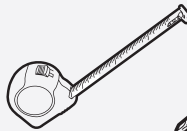
Tools Needed



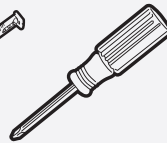
Drill/Driver



Level



Tape Measure



Screw Driver



Hammer



Lead Pencil

Hardware Included With This Order



Bracket
(Qty - 2)

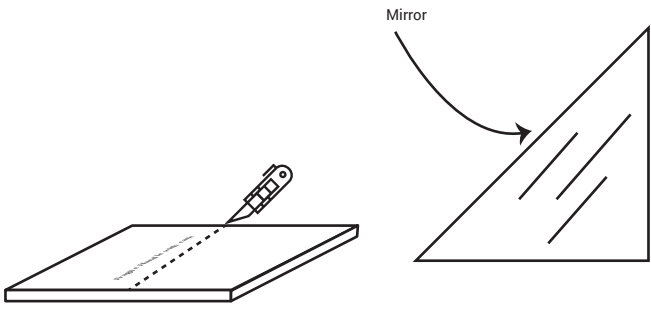


Anchor
(Qty - 4/6)



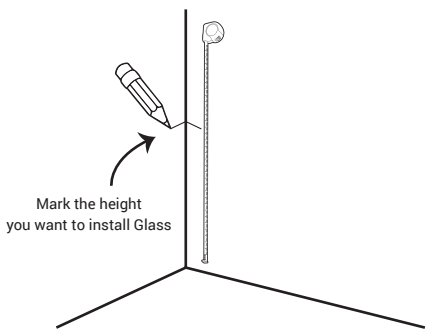
Screw
(Qty - 4/6)

1



Remove your Triangle corner shelf from the packaging.

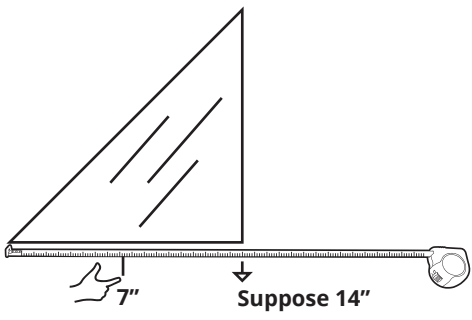
2



Mark the height you want to install Glass

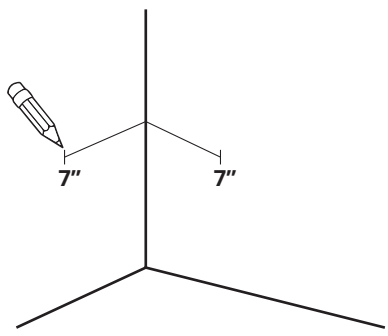
Mark with a pencil on the wall where you want to install the shelf. You can use a tape measure for precision.

3



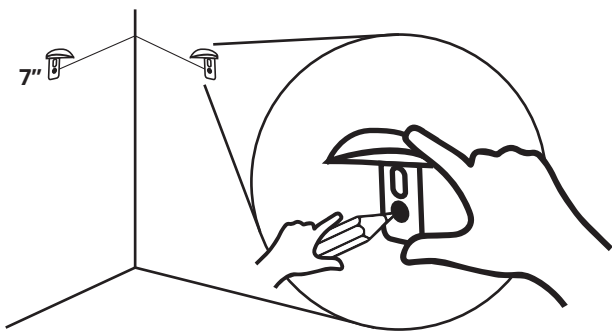
Measure the shelf so you can check how long one half of it is. For example, with a 14-inch long shelf, one half is 7 inches.

4



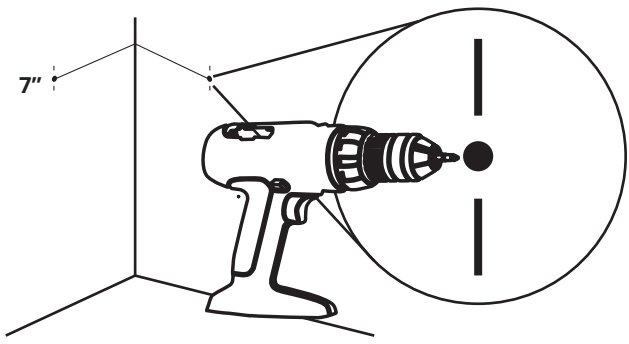
Use a level and make two marks with a pencil at points one-half of the length of the shelf, such as 7 inches from the corner on each side of the wall.

5



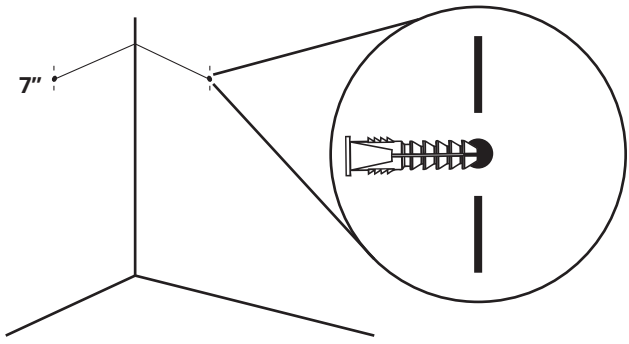
Line the upper part of one bracket on the wall at the point you marked with pencil. Make a mark for the bracket's hole.

6



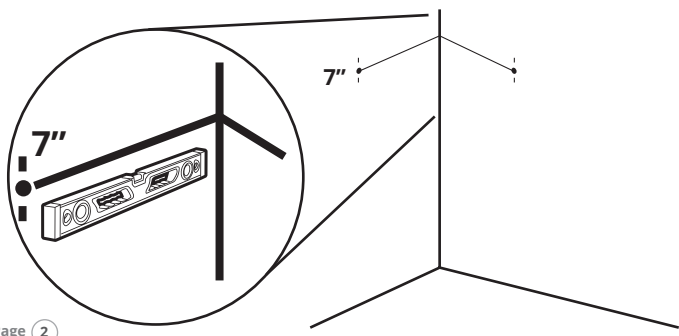
Drill a hole at this spot with an automatic drill.

7



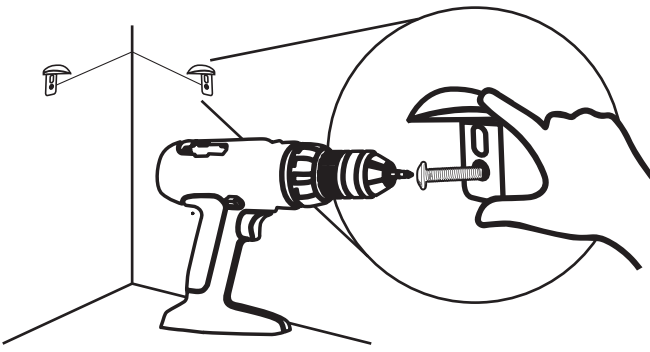
Insert the anchor into the hole and press it in with a hammer.

8



Check the line with a level.

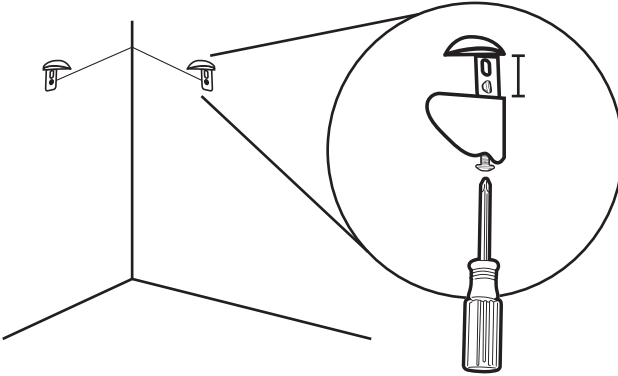
9



Hold the top of the bracket at the wall.

Screw a screw through the bracket hole into the anchor, tightening with a drill.

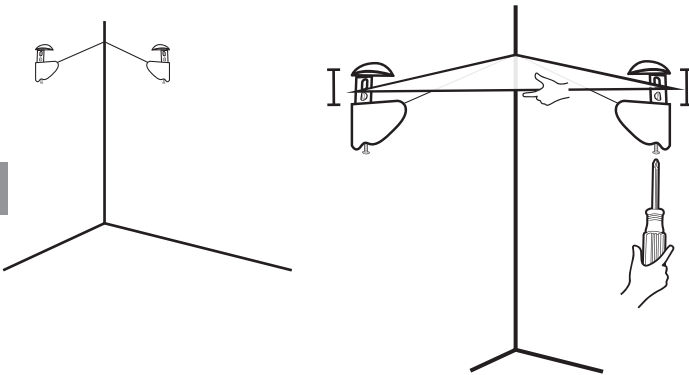
10



With a screwdriver, tighten a screw into the lower part of the bracket to secure it to the wall.

Repeat this process for the other bracket.

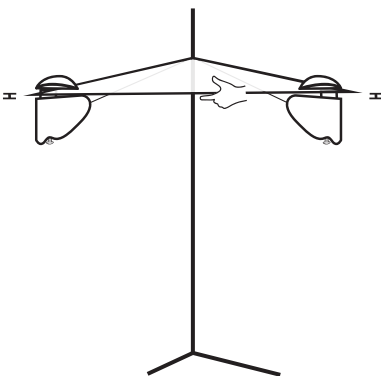
11



Insert the shelf where the gaps appear in the brackets.

Carefully tighten the screws.

12



Congratulations!

You have finished installing your new Triangle corner shelf.